

**SUZUKI**

***GSX-R600***

**SERVICE MANUAL**



## FOREWORD

This manual contains an introductory description on the SUZUKI GSX-R600 and procedures for its inspection/service and overhaul of its main components.

Other information considered as generally known is not included.

Read the GENERAL INFORMATION section to familiarize yourself with the motorcycle and its maintenance. Use this section as well as other sections to use as a guide for proper inspection and service.

This manual will help you know the motorcycle better so that you can assure your customers of fast and reliable service.

\* This manual has been prepared on the basis of the latest specifications at the time of publication. If modifications have been made since then, differences may exist between the content of this manual and the actual motorcycle.

\* Illustrations in this manual are used to show the basic principles of operation and work procedures. They may not represent the actual motorcycle exactly in detail.

\* This manual is written for persons who have enough knowledge, skills and tools, including special tools, for servicing SUZUKI motorcycles. If you do not have the proper knowledge and tools, ask your authorized SUZUKI motorcycle dealer to help you.

### **⚠ WARNING**

Inexperienced mechanics or mechanics without the proper tools and equipment may not be able to properly perform the services described in this manual. Improper repair may result in injury to the mechanic and may render the motorcycle unsafe for the rider and passenger.

**SUZUKI MOTOR CORPORATION**

© COPYRIGHT SUZUKI MOTOR CORPORATION 2006

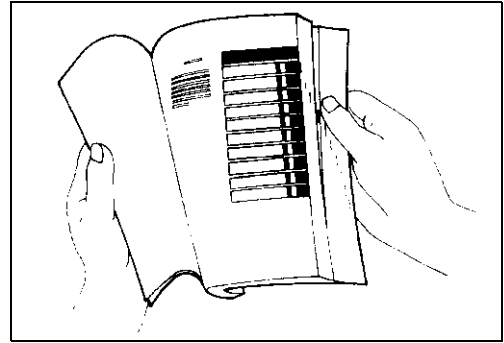
## GROUP INDEX

<b>GENERAL INFORMATION</b>	<b>1</b>
<b>PERIODIC MAINTENANCE</b>	<b>2</b>
<b>ENGINE</b>	<b>3</b>
<b>FI SYSTEM DIAGNOSIS</b>	<b>4</b>
<b>FUEL SYSTEM AND THROTTLE BODY</b>	<b>5</b>
<b>EXHAUST SYSTEM</b>	<b>6</b>
<b>COOLING AND LUBRICATION SYSTEM</b>	<b>7</b>
<b>CHASSIS</b>	<b>8</b>
<b>ELECTRICAL SYSTEM</b>	<b>9</b>
<b>SERVICING INFORMATION</b>	<b>10</b>
<b>EMISSION CONTROL INFORMATION</b>	<b>11</b>
<b>WIRING DIAGRAM</b>	<b>12</b>



## HOW TO USE THIS MANUAL TO LOCATE WHAT YOU ARE LOOKING FOR:

1. The text of this manual is divided into sections.
2. The section titles are listed in the GROUP INDEX.
3. Holding the manual as shown at the right will allow you to find the first page of the section easily.
4. The contents are listed on the first page of each section to help you find the item and page you need.



## COMPONENT PARTS AND WORK TO BE DONE

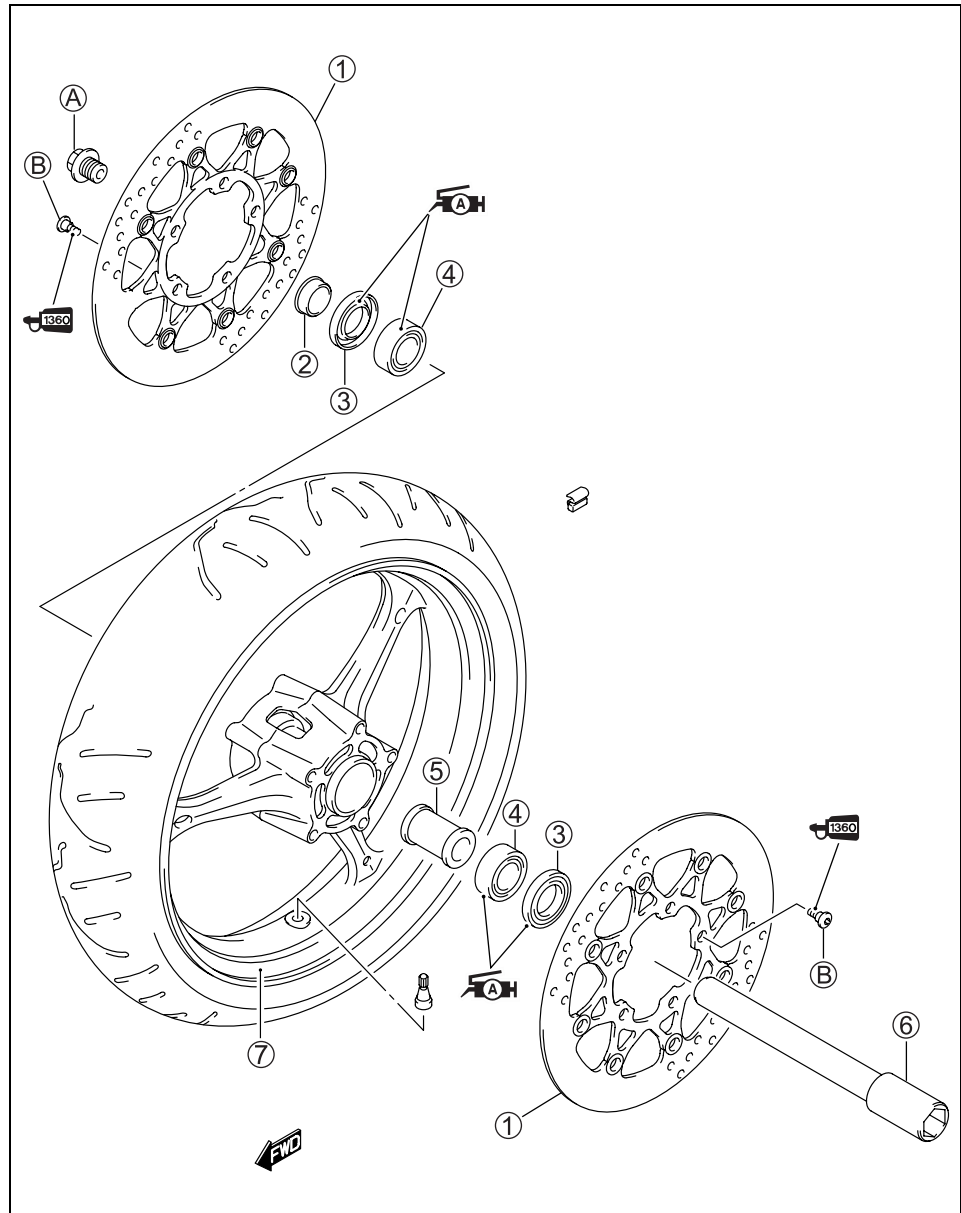
Under the name of each system or unit, is its exploded view. Work instructions and other service information such as the tightening torque, lubricating points and locking agent points, are provided.

Example: Front wheel

①	Brake disc
②	Collar
③	Dust seal
④	Bearing
⑤	Spacer
⑥	Front axle
⑦	Front wheel
A	Front axle bolt
B	Brake disc bolt










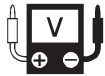





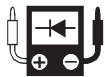








ITEM	N·m	kgf·m	lb·ft
A	100	10.0	72.5
B	23	2.3	16.5



## SYMBOL

Listed in the table below are the symbols indicating instructions and other information necessary for servicing. The meaning of each symbol is also included in the table.

SYMBOL	DEFINITION	SYMBOL	DEFINITION
	Torque control required. Data beside it indicates specified torque.		Apply THREAD LOCK SUPER "1360". 99000-32130
	Apply oil. Use engine oil unless otherwise specified.		Use engine coolant. 99000-99032-11X (Except USA)
	Apply molybdenum oil solution. (Mixture of engine oil and SUZUKI MOLY PASTE in a ratio of 1:1)		Use fork oil. 99000-99001-SS5
	Apply SUZUKI SUPER GREASE "A" or equivalent grease. 99000-25010		Apply or use brake fluid.
	Apply SUZUKI MOLY PASTE. 99000-25140		Measure in voltage range.
	Apply SUZUKI BOND "1215" or equivalent bond. 99000-31110		Measure in current range.
	Apply SUZUKI BOND "1207B". 99104-31140 (USA)		Measure in resistance range.
	Apply SUZUKI BOND "1207B". 99000-31140 (Except USA)		Measure in diode test range.
	Apply THREAD LOCK SUPER "1303". 99000-32030		Measure in continuity test range.
	Apply THREAD LOCK SUPER "1322" or equivalent thread lock. 99000-32110		Use special tool.
	Apply THREAD LOCK "1342". 99000-32050		Indication of service data.

# ABBREVIATIONS USED IN THIS MANUAL

## A

ABDC	: After Bottom Dead Center
AC	: Alternating Current
ACL	: Air Cleaner, Air Cleaner Box
API	: American Petroleum Institute
ATDC	: After Top Dead Center
ATM Pressure	: Atmospheric Pressure
	: Atmospheric Pressure sensor (APS, AP Sensor)
A/F	: Air Fuel Mixture

## B

BBDC	: Before Bottom Dead Center
BTDC	: Before Top Dead Center
B+	: Battery Positive Voltage

## C

CKP Sensor	: Crankshaft Position Sensor (CKPS)
CKT	: Circuit
CLP Switch	: Clutch Lever Position Switch (Clutch Switch)
CMP Sensor	: Camshaft Position Sensor (CMPS)
CO	: Carbon Monoxide
CPU	: Central Processing Unit

## D

DC	: Direct Current
DMC	: Dealer Mode Coupler
DOHC	: Double Over Head Camshaft
DRL	: Daytime Running Light
DTC	: Diagnostic Trouble Code

## E

ECM	: Engine Control Module
	: Engine Control Unit (ECU) (FI Control Unit)
ECT Sensor	: Engine Coolant Temperature Sensor (ECTS), Water Temp. Sensor (WTS)
EVAP	: Evaporative Emission
EVAP Canister	: Evaporative Emission Canister (Canister)
EXC System	: Exhaust Control System (EXCS)
EXC Valve	: Exhaust Control Valve (EXCV)
EXCV Actuator	: Exhaust Control Valve Actuator (EXCVA)

## F

FI	: Fuel Injection, Fuel Injector
FP	: Fuel Pump
FPR	: Fuel Pressure Regulator
FP Relay	: Fuel Pump Relay

## G

GEN	: Generator
GND	: Ground
GP Switch	: Gear Position Switch

## H

HC	: Hydrocarbons
----	----------------

## I

IAP Sensor	: Intake Air Pressure Sensor (IAPS) (MAP Sensor)
IAT Sensor	: Intake Air Temperature Sensor (IATS)
IG	: Ignition

## L

LCD	: Liquid Crystal Display
LED	: Light Emitting Diode (Malfunction Indicator Lamp)
LH	: Left Hand

## **M**

MAL-Code : Malfunction Code  
(Diagnostic Code)  
Max : Maximum  
MIL : Malfunction Indicator Lamp  
(LED)  
Min : Minimum

## **N**

NOX : Nitrogen Oxides

## **O**

OHC : Over Head Camshaft  
OPS : Oil Pressure Switch

## **P**

PCV : Positive Crankcase  
Ventilation (Crankcase Breather)

## **R**

RH : Right Hand  
ROM : Read Only Memory

## **S**

SAE : Society of Automotive Engineers  
SDS : Suzuki Diagnosis System  
STC System : Secondary Throttle Control System  
(STCS)  
STP Sensor : Secondary Throttle Position Sensor  
(STPS)  
ST Valve : Secondary Throttle Valve (STV)  
STV Actuator : Secondary Throttle Valve Actuator  
(STVA)

## **T**

TO Sensor : Tip-Over Sensor (TOS)  
TP Sensor : Throttle Position Sensor (TPS)

## WIRE COLOR

B	: Black	G	: Green	P	: Pink
Bl	: Blue	Gr	: Gray	R	: Red
Br	: Brown	Lbl	: Light blue	W	: White
Dg	: Dark green	Lg	: Light green	Y	: Yellow
Dgr	: Dark gray	O	: Orange		

B/Bl	: Black with Blue tracer	B/Br	: Black with Brown tracer
B/G	: Black with Green tracer	B/Lg	: Black with Light green tracer
B/R	: Black with Red tracer	B/W	: Black with White tracer
B/Y	: Black with Yellow tracer	Bl/B	: Blue with Black tracer
Bl/G	: Blue with Green tracer	Bl/R	: Blue with Red tracer
Bl/W	: Blue with White tracer	Bl/Y	: Blue with Yellow tracer
Br/Y	: Brown with Yellow tracer	G/B	: Green with Black tracer
G/Bl	: Green with Blue tracer	G/R	: Green with Red tracer
G/W	: Green with White tracer	G/Y	: Green with Yellow tracer
Gr/B	: Gray with Black tracer	Gr/R	: Gray with Red tracer
Gr/W	: Gray with White tracer	Gr/Y	: Gray with Yellow tracer
Lg/Bl	: Light green with Blue tracer	Lg/G	: Light green with Green tracer
Lg/W	: Light green with White tracer	O/B	: Orange with Black tracer
O/Bl	: Orange with Blue tracer	O/G	: Orange with Green tracer
O/R	: Orange with Red tracer	O/W	: Orange with White tracer
O/Y	: Orange with Yellow tracer	P/B	: Pink with Black tracer
P/W	: Pink with White tracer	R/B	: Red with Black tracer
R/Bl	: Red with Blue tracer	R/Y	: Red with Yellow tracer
R/W	: Red with White tracer	W/B	: White with Black tracer
W/Bl	: White with Blue tracer	W/G	: White with Green tracer
W/R	: White with Red tracer	W/Y	: White with Yellow tracer
Y/B	: Yellow with Black tracer	Y/Bl	: Yellow with Blue tracer
Y/G	: Yellow with Green tracer	Y/R	: Yellow with Red tracer
Y/W	: Yellow with White tracer		

# GENERAL INFORMATION

1

## CONTENTS

<b>WARNING/CAUTION/NOTE</b> .....	<b>1- 2</b>
<b>GENERAL PRECAUTIONS</b> .....	<b>1- 2</b>
<b>SUZUKI GSX-R600K6 ('06-MODEL)</b> .....	<b>1- 4</b>
<b>SERIAL NUMBER LOCATION</b> .....	<b>1- 4</b>
<b>FUEL, OIL AND ENGINE COOLANT RECOMMENDATION</b> .....	<b>1- 5</b>
<b>FUEL (FOR USA AND CANADA)</b> .....	<b>1- 5</b>
<b>FUEL (FOR OTHER COUNTRIES)</b> .....	<b>1- 5</b>
<b>ENGINE OIL (FOR USA)</b> .....	<b>1- 5</b>
<b>ENGINE OIL (FOR OTHER COUNTRIES)</b> .....	<b>1- 5</b>
<b>BRAKE FLUID</b> .....	<b>1- 5</b>
<b>FRONT FORK OIL</b> .....	<b>1- 6</b>
<b>ENGINE COOLANT</b> .....	<b>1- 6</b>
<b>WATER FOR MIXING</b> .....	<b>1- 6</b>
<b>ANTI-FREEZE/ENGINE COOLANT</b> .....	<b>1- 6</b>
<b>LIQUID AMOUNT OF WATER/ENGINE COOLANT</b> .....	<b>1- 6</b>
<b>BREAK-IN PROCEDURES</b> .....	<b>1- 7</b>
<b>CYLINDER IDENTIFICATION</b> .....	<b>1- 7</b>
<b>INFORMATION LABELS</b> .....	<b>1- 8</b>
<b>SPECIFICATIONS</b> .....	<b>1- 9</b>
<b>DIMENSIONS AND DRY MASS</b> .....	<b>1- 9</b>
<b>ENGINE</b> .....	<b>1- 9</b>
<b>DRIVE TRAIN</b> .....	<b>1- 9</b>
<b>CHASSIS</b> .....	<b>1-10</b>
<b>ELECTRICAL</b> .....	<b>1-10</b>
<b>CAPACITIES</b> .....	<b>1-10</b>

## COUNTRY AND AREA CODES

The following codes stand for the applicable country(-ies) and area(-s).

CODE	COUNTRY or AREA	EFFECTIVE FRAME NO.
E-02	U.K.	JS1CE111100100001 –
E-19 (GSX-R600)	E.U.	JS1CE111100100001 –
E-19 (GSX-R600U2)	E.U.	JS1CE211100100001 –
E-19 (GSX-R600U3)	E.U.	JS1CE311100100001 –
E-24	Australia	JS1CE121300100001 –
E-03	U.S.A. (Except for California)	JS1GN7DA 62100001 –
E-28	Canada	JS1GN7DA 62100001 –
E-33	California (U.S.A.)	JS1GN7DA 62100001 –

## WARNING/CAUTION/NOTE

Please read this manual and follow its instructions carefully. To emphasize special information, the symbol and the words WARNING, CAUTION and NOTE have special meanings. Pay special attention to the messages highlighted by these signal words.

### **⚠ WARNING**

**Indicates a potential hazard that could result in death or injury.**

### **CAUTION**

**Indicates a potential hazard that could result in motorcycle damage.**

### *NOTE:*

*Indicates special information to make maintenance easier or instructions clearer.*

Please note, however, that the warnings and cautions contained in this manual cannot possibly cover all potential hazards relating to the servicing, or lack of servicing, of the motorcycle. In addition to the WARNINGS and CAUTIONS stated, you must use good judgement and basic mechanical safety principles. If you are unsure about how to perform a particular service operation, ask a more experienced mechanic for advice.

## GENERAL PRECAUTIONS

### **⚠ WARNING**

- \* **Proper service and repair procedures are important for the safety of the service mechanic and the safety and reliability of the motorcycle.**
  - \* **When 2 or more persons work together, pay attention to the safety of each other.**
  - \* **When it is necessary to run the engine indoors, make sure that exhaust gas is forced outdoors.**
  - \* **When working with toxic or flammable materials, make sure that the area you work in is well-ventilated and that you follow all of the material manufacturer's instructions.**
  - \* **Never use gasoline as a cleaning solvent.**
  - \* **To avoid getting burned, do not touch the engine, engine oil, radiator and exhaust system until they have cooled.**
- After servicing the fuel, oil, water, exhaust or brake systems, check all lines and fittings related to the system for leaks.**

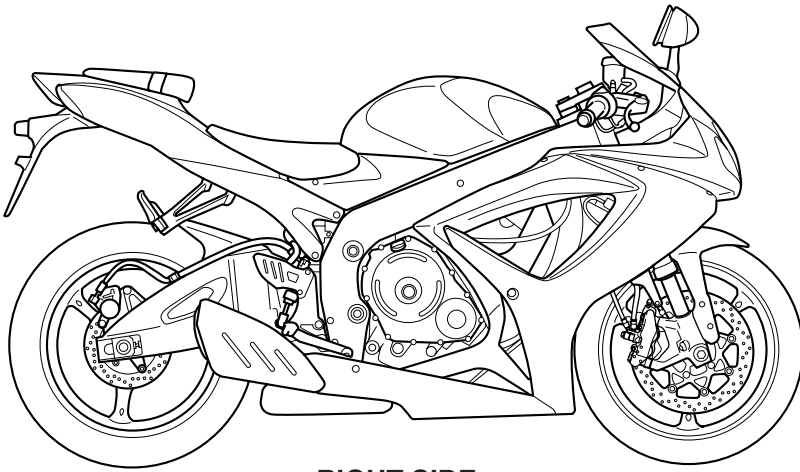
**CAUTION**

- \* If parts replacement is necessary, replace the parts with Suzuki Genuine Parts or their equivalent.
- \* When removing parts that are to be reused, keep them arranged in an orderly manner so that they may be reinstalled in the proper order and orientation.
- \* Be sure to use special tools when instructed.
- \* Make sure that all parts used in reassembly are clean. Lubricate them when specified.
- \* Use the specified lubricant, bond, or sealant.
- \* When removing the battery, disconnect the negative cable first and then the positive cable.
- \* When reconnecting the battery, connect the positive cable first and then the negative cable, and replace the terminal cover on the positive terminal.
- \* When performing service to electrical parts, if the service procedures do not require use of battery power, disconnect the negative cable from the battery.
- \* When tightening the cylinder head or case bolts and nuts, tighten the larger sizes first. Always tighten the bolts and nuts diagonally from the inside toward outside and to the specified tightening torque.
- \* Whenever you remove oil seals, gaskets, packing, O-rings, locking washers, self-locking nuts, cotter pins, circlips and certain other parts as specified, be sure to replace them with new ones. Also, before installing these new parts, be sure to remove any left over material from the mating surfaces.
- \* Never reuse a circlip. When installing a new circlip, take care not to expand the end gap larger than required to slip the circlip over the shaft. After installing a circlip, always ensure that it is completely seated in its groove and securely fitted.
- \* Use a torque wrench to tighten fasteners to the specified torque. Wipe off grease and oil if a thread is smeared with them.
- \* After reassembling, check parts for tightness and proper operation.

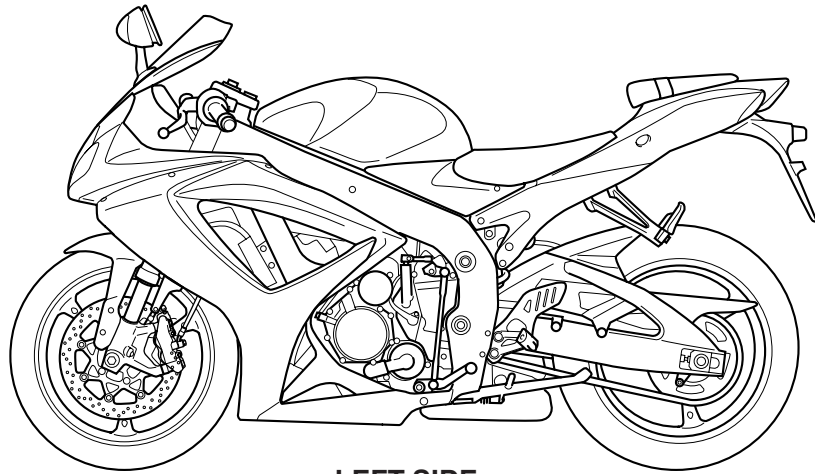
- \* To protect the environment, do not unlawfully dispose of used motor oil, engine coolant and other fluids: batteries and tires.
- \* To protect Earth's natural resources, properly dispose of used motorcycle and parts.



## SUZUKI GSX-R600K6 ('06-MODEL)



RIGHT SIDE

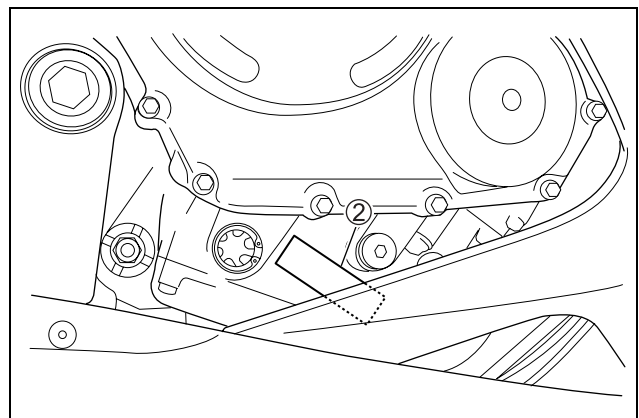
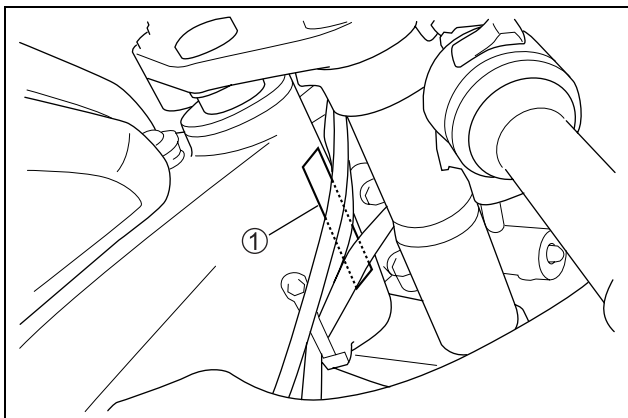


LEFT SIDE

- Difference between illustrations and actual motorcycle may exist depending on the markets.

## SERIAL NUMBER LOCATION

The frame serial number or V.I.N. (Vehicle Identification Number) ① is stamped on the right side of the steering head pipe. The engine serial number ② is located on the right side of the crankcase. These numbers are required especially for registering the machine and ordering spare parts.



## FUEL, OIL AND ENGINE COOLANT RECOMMENDATION

### FUEL (FOR USA AND CANADA)

Use only unleaded gasoline of at least 87 pump octane (R/2 + M/2) or 91 octane or higher rated by the research method.

Gasoline containing MTBE (Methyl Tertiary Butyl Ether), less than 10% ethanol, or less than 5% methanol with appropriate cosolvents and corrosion inhibitor is permissible.

### FUEL (FOR OTHER COUNTRIES)

Gasoline used should be graded 91 octane (Research Method) or higher. Unleaded gasoline is recommended.

### ENGINE OIL (FOR USA)

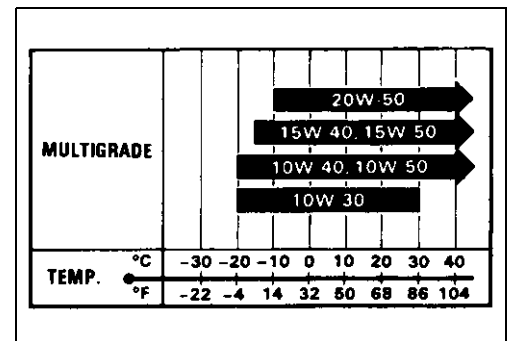
Oil quality is a major contributor to your engine's performance and life. Always select good quality engine oil. Suzuki recommends the use of SUZUKI PERFORMANCE 4 MOTOR OIL or equivalent engine oil. Use of SF/SG or SH/SJ in API with MA in JASO.

Suzuki recommends the use of SAE 10W-40 engine oil. If SAE 10W-40 engine oil is not available, select an alternative according to the following chart.

### ENGINE OIL (FOR OTHER COUNTRIES)

Oil quality is a major contributor to your engine's performance and life. Always select good quality engine oil. Use of SF/SG or SH/SJ in API with MA in JASO.

Suzuki recommends the use of SAE 10W-40 engine oil. If SAE 10W-40 engine oil is not available, select an alternative according to the right chart.



## BRAKE FLUID

Specification and classification: DOT 4

### ⚠ WARNING

Since the brake system of this motorcycle is filled with a glycol-based brake fluid by the manufacturer, do not use or mix different types of fluid such as silicone-based and petroleum-based fluid for refilling the system, otherwise serious damage will result.

Do not use any brake fluid taken from old or used or unsealed containers.

Never re-use brake fluid left over from a previous servicing, which has been stored for a long period.

## **FRONT FORK OIL**

Use fork oil SS-05 or an equivalent fork oil.

## **ENGINE COOLANT**

Use an anti-freeze/engine coolant compatible with an aluminum radiator, mixed with distilled water only.

## **WATER FOR MIXING**

Use distilled water only. Water other than distilled water can corrode and clog the aluminum radiator.

## **ANTI-FREEZE/ENGINE COOLANT**

The engine coolant performs as a corrosion and rust inhibitor as well as anti-freeze. Therefore, the engine coolant should be used at all times even though the atmospheric temperature in your area does not go down to freezing point.

Suzuki recommends the use of SUZUKI COOLANT anti-freeze/engine coolant. If this is not available, use an equivalent which is compatible with an aluminum radiator.

## **LIQUID AMOUNT OF WATER/ENGINE COOLANT**

**Solution capacity (total): Approx. 2 700 ml (2.9/2.4 US/Imp qt)**

For engine coolant mixture information, refer to cooling system section in page 7-2.

### **CAUTION**

**Mixing of anti-freeze/engine coolant should be limited to 60%. Mixing beyond it would reduce its efficiency. If the anti-freeze/engine coolant mixing ratio is below 50%, rust inhabiting performance is greatly reduced. Be sure to mix it above 50% even though the atmospheric temperature does not go down to the freezing point.**

## BREAK-IN PROCEDURES

During manufacture only the best possible materials are used and all machined parts are finished to a very high standard but it is still necessary to allow the moving parts to “BREAK-IN” before subjecting the engine to maximum stresses. The future performance and reliability of the engine depends on the care and restraint exercised during its early life. The general rules are as follows.

- Keep to these break-in engine speed limits:

**Initial 800 km ( 500 miles): Below 8 000 r/min**

**Up to 1 600 km (1 000 miles): Below 12 000 r/min**

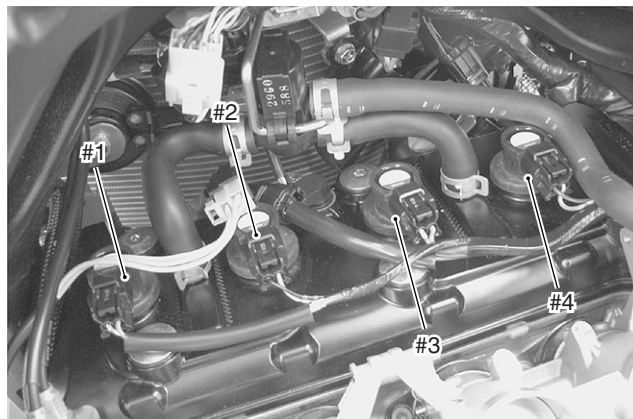
**Over to 1 600 km (1 000 miles): Below 16 000 r/min**

- Upon reaching an odometer reading of 1 600 km (1 000 miles) you can subject the motorcycle to full throttle operation.

However, do not exceed 16 000 r/min at any time.

## CYLINDER IDENTIFICATION

The four cylinders of this engine are identified as No. 1, No. 2, No. 3 and No. 4 cylinder, as counted from left to right (as viewed by the rider on the seat.)



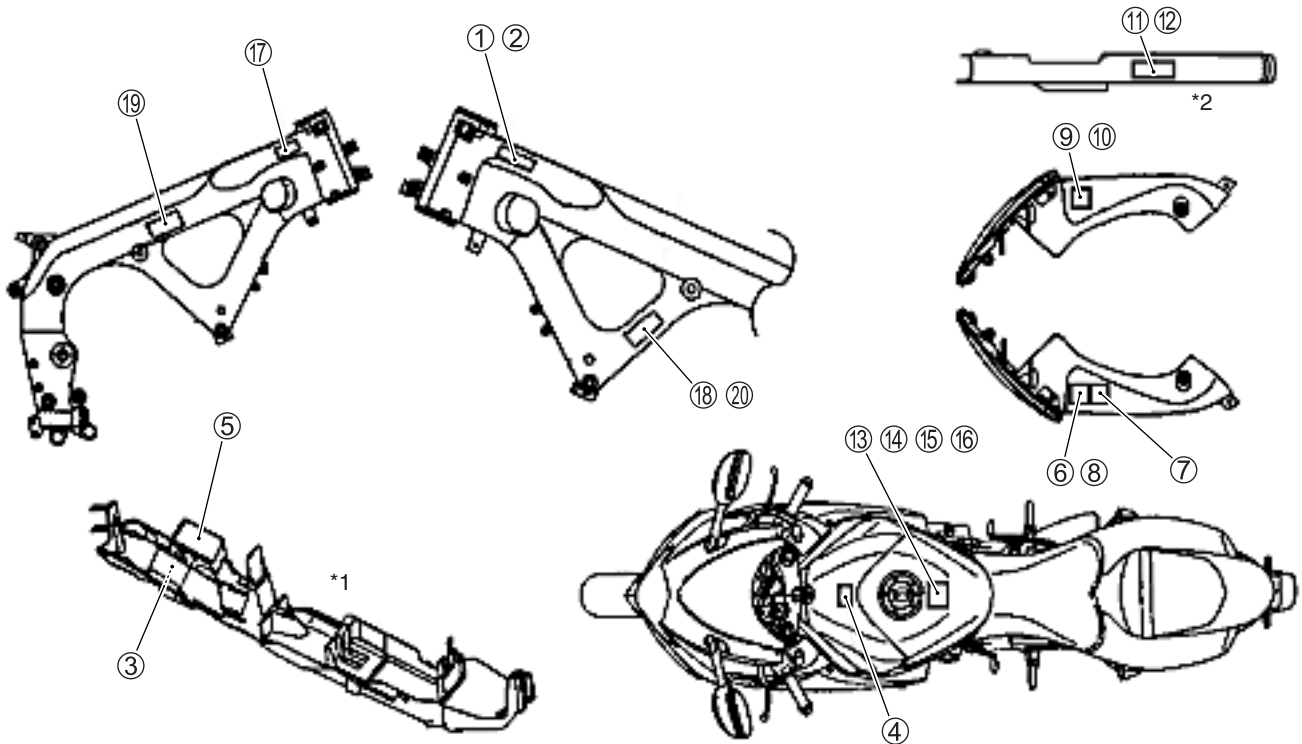
## INFORMATION LABELS

	GSX-R600	GSX-R600UE	GSX-R600UF
① Noise label	A (For E-03, 24, 33)		
② Information label	A (For E-03, 28, 33)		
③ Vacuum hose routing label	A (For E-33)		
④ Fuel caution label	A (For E-02, 24)		
⑤ Manual notice label	A (For E-03, 33)		
⑥ Screen label	A (Except E-19 )		
⑦ Screen label	A (For E-28)		A
⑧ Screen label	A (For E-19)	A	
⑨ Warning steering label	A (For E-03, 33)		
⑩ Warning steering label	A (Except E-03, 33)	A	A
⑪ Tire information label	A (For E-03, 33)		
⑫ Tire information label	A (Except E-03, 33)	A	A
⑬ General warning label	A (Except E-19, 28)		
⑭ General warning label			A
⑮ General warning label	A (For E-28)		
⑯ General warning label	A (For E-19)	A	
⑰ ICES Canada label	A (For E-28)		
⑱ I.D. plate	A (For E-02, 19, 24)	A	A
⑲ E-19 I.D. label			A
⑳ Safety plate	A (For E-03, 28, 33)		

A: Attached

\*1: Rear fender (front)

\*2: Chain case



## SPECIFICATIONS

### DIMENSIONS AND DRY MASS

Overall length .....	2 040 mm (80.3 in)
Overall width .....	715 mm (28.1 in)
Overall height .....	1 125 mm (44.3 in)
Wheelbase .....	1 400 mm (55.1 in)
Ground clearance.....	130 mm (5.1 in)
Seat height .....	810 mm (31.9 in)
Dry mass .....	162 kg (357 lbs) .....E-33
	161 kg (354 lbs) .....Others

### ENGINE

Type .....	Four stroke, liquid-cooled, DOHC
Number of cylinders .....	4
Bore.....	67.0 mm (2.638 in)
Stroke .....	42.5 mm (1.673 in)
Displacement .....	599 cm <sup>3</sup> (36.5 cu. in)
Compression ratio .....	12.5 : 1
Fuel system .....	Fuel injection
Air cleaner .....	Paper element
Starter system .....	Electric
Lubrication system .....	Wet sump
Idle speed.....	1 300 ± 100 r/min

### DRIVE TRAIN

Clutch .....	Wet multi-plate type
Transmission .....	6-speed constant mesh
Gearshift pattern .....	1-down, 5-up
Primary reduction ratio .....	1.974 (77/39)
Gear ratios, Low .....	2.785 (39/14)
2nd.....	2.052 (39/19)
3rd.....	1.714 (36/21)
4th.....	1.500 (36/24)
5th.....	1.347 (31/23)
Top.....	1.208 (29/24)
Final reduction ratio.....	2.687 (43/16)
Drive chain .....	RK525SMOZ7Y, 114 links

**CHASSIS**

Front suspension .....	Inverted telescopic, coil spring, oil damped
Rear suspension .....	Link type, coil spring, oil damped
Front fork stroke .....	120 mm (4.7 in)
Rear wheel travel .....	130 mm (5.1 in)
Steering angle .....	27°
Caster .....	23° 45'
Trail .....	97 mm (3.8 in)
Turning radius .....	3.4 m (11.2 ft)
Front brake .....	Disc brake, twin
Rear brake .....	Disc brake
Front tire size .....	120/70 ZR 17 M/C (58 W), tubeless
Rear tire size .....	180/55 ZR 17 M/C (73 W), tubeless

**ELECTRICAL**

Ignition type .....	Electronic ignition (Transistorized)
Ignition timing .....	6° B.T.D.C. at 1 300 r/min
Spark plug .....	NGK CR9E or DENSO U27ESR-N
Battery .....	12 V 28.8 kC (8 Ah)/10 HR
Generator .....	Three-phase A.C. generator
Main fuse .....	30 A
Fuse .....	10/10/15/15/10/10 A
Headlight .....	12 V 55 W (H7) + 12 V 65 W (H9)
Turn signal light .....	12 V 21 W
License plate light .....	12 V 5 W
Brake light/Taillight .....	LED
Position light .....	12 V 5 W × 2
Speedometer light .....	LED
Tachometer light .....	LED
Neutral indicator light .....	LED
High beam indicator light .....	LED
Turn signal indicator light .....	LED
Fuel level indicator light .....	LED
Oil pressure/Coolant temperature/FI warning light .....	LED
Engine RPM indicator light .....	LED
Immobilizer indicator light .....	LED .....E-02, 19, 24

**CAPACITIES**

Fuel tank, including reserve .....	15.5 L (4.1/3.4 US/Imp gal) ..... E-33
	16.5 L (4.4/3.6 US/Imp gal) ..... Others
Engine oil, oil change .....	2 200 ml (2.3/1.9 US/Imp qt)
with filter change .....	2 500 ml (2.6/2.2 US/Imp qt)
overhaul .....	2 900 ml (3.1/2.6 US/Imp qt)
Coolant .....	2.7 L (2.9/2.4 US/Imp qt)

These specifications are subject to change without notice.

# PERIODIC MAINTENANCE

## CONTENTS

<b>PERIODIC MAINTENANCE SCHEDULE .....</b>	<b>2- 2</b>
<b>PERIODIC MAINTENANCE CHART.....</b>	<b>2- 2</b>
<b>LUBRICATION POINTS .....</b>	<b>2- 3</b>
<b>MAINTENANCE AND TUNE-UP PROCEDURES .....</b>	<b>2- 4</b>
<b>AIR CLEANER.....</b>	<b>2- 4</b>
<b>SPARK PLUG.....</b>	<b>2- 5</b>
<b>VALVE CLEARANCE.....</b>	<b>2- 7</b>
<b>ENGINE OIL AND OIL FILTER.....</b>	<b>2-12</b>
<b>EXHAUST CONTROL VALVE .....</b>	<b>2-13</b>
<b>FUEL LINE.....</b>	<b>2-14</b>
<b>ENGINE IDLE SPEED .....</b>	<b>2-14</b>
<b>THROTTLE VALVE SYNCHRONIZATION.....</b>	<b>2-15</b>
<b>EVAPORATIVE EMISSION CONTROL SYSTEM (E-33 ONLY) .....</b>	<b>2-15</b>
<b>PAIR (AIR SUPPLY) SYSTEM.....</b>	<b>2-15</b>
<b>THROTTLE CABLE PLAY .....</b>	<b>2-15</b>
<b>CLUTCH .....</b>	<b>2-16</b>
<b>COOLING SYSTEM.....</b>	<b>2-17</b>
<b>DRIVE CHAIN.....</b>	<b>2-20</b>
<b>BRAKE .....</b>	<b>2-23</b>
<b>TIRES.....</b>	<b>2-27</b>
<b>STEERING.....</b>	<b>2-27</b>
<b>FRONT FORK.....</b>	<b>2-28</b>
<b>REAR SUSPENSION .....</b>	<b>2-28</b>
<b>EXHAUST PIPE BOLT AND NUT.....</b>	<b>2-29</b>
<b>CHASSIS BOLTS AND NUTS .....</b>	<b>2-30</b>
<b>COMPRESSION PRESSURE CHECK .....</b>	<b>2-32</b>
<b>COMPRESSION TEST PROCEDURE.....</b>	<b>2-32</b>
<b>OIL PRESSURE CHECK .....</b>	<b>2-33</b>
<b>SDS CHECK.....</b>	<b>2-34</b>



## PERIODIC MAINTENANCE SCHEDULE

The chart below lists the recommended intervals for all the required periodic service work necessary to keep the motorcycle operating at peak performance and economy. Mileages are expressed in terms of kilometers, miles and time for your convenience.

**IMPORTANT (For E-28):** The periodic maintenance intervals and service requirements have been established in accordance with EPA regulations. Following these instructions will ensure that the motorcycle will not exceed emission standards and it will also ensure the reliability and performance of the motorcycle.

**NOTE:**

*More frequent servicing may be required on motorcycles that are used under severe conditions.*

## PERIODIC MAINTENANCE CHART

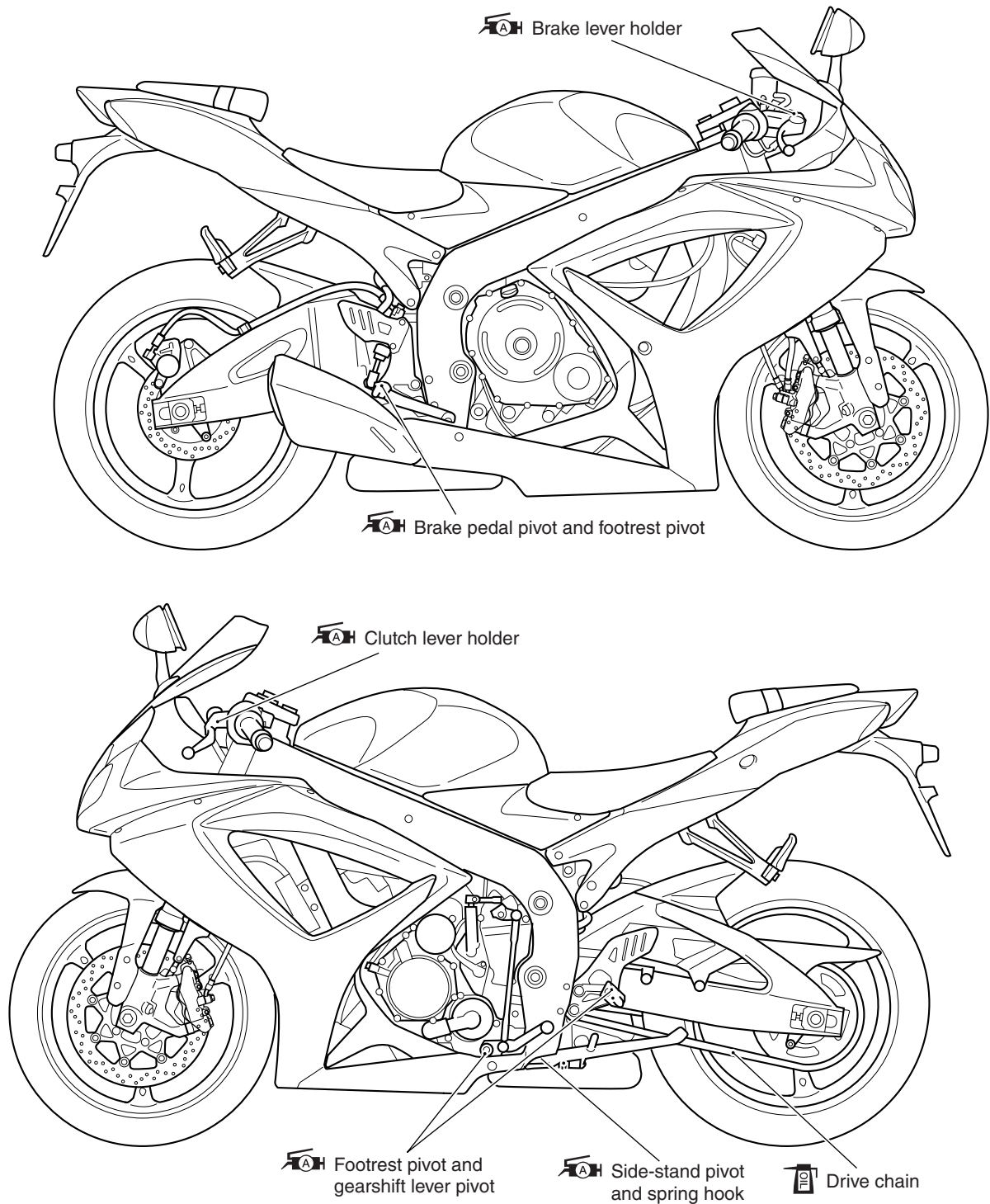
Item	Interval	miles	600	4 000	7 500	11 000	14 500
		km	1 000	6 000	12 000	18 000	24 000
		months	2	12	24	36	48
Air cleaner element			—	I	I	R	I
Spark plugs			—	I	R	I	R
Valve clearance			—	—	—	—	I
Exhaust control valve			I	—	I	—	I
Engine oil			R	R	R	R	R
Engine oil filter			R	—	—	R	—
Fuel line			—	I	I	I	I
Idle speed			I	I	I	I	I
Throttle valve synchronization			I (E-33 only)	—	I	—	I
Evaporative emission control system (E-33 only)			—	—	I	—	I
PAIR (air supply) system			—	—	I	—	I
Throttle cable play			I	I	I	I	I
Clutch cable play			—	I	I	I	I
Radiator hoses			—	I	I	I	I
Engine coolant			Replace every 2 years.				
Drive chain			I	I	I	I	I
			Clean and lubricate every 1 000 km (600 miles).				
Brakes			I	I	I	I	I
Brake hoses			—	I	I	I	I
			Replace every 4 years.				
Brake fluid			—	I	I	I	I
			Replace every 2 years.				
Tires			—	I	I	I	I
Steering			I	—	I	—	I
Front forks			—	—	I	—	I
Rear suspension			—	—	I	—	I
Exhaust pipe bolts and muffler bolt and nut			T	—	T	—	T
Chassis bolts and nuts			T	T	T	T	T

**NOTE:**

*I = Inspect and clean, adjust, replace or lubricate as necessary; R = Replace; T = Tighten*

## LUBRICATION POINTS

Proper lubrication is important for smooth operation and long life of each working part of the motorcycle. Major lubrication points are indicated below.



### NOTE:

- \* Before lubricating each part, clean off any rusty spots and wipe off any grease, oil, dirt or grime.
- \* Lubricate exposed parts which are subject to rust, with a rust preventative spray whenever the motorcycle has been operated under wet or rainy conditions.

## MAINTENANCE AND TUNE-UP PROCEDURES

This section describes the servicing procedures for each item of the Periodic Maintenance requirements.

### AIR CLEANER

**Inspect every 6 000 km (4 000 miles, 12 months).  
Replace every 18 000 km (11 000 miles, 36 months).**

- Remove the front seat. (☞ 8-7)
- Lift and support the fuel tank. (☞ 5-3)
- Remove the air cleaner element by removing the screws.
- Remove the air cleaner element.
- Inspect the air cleaner element for clogging.  
If the air cleaner element is clogged with dust, replace the air cleaner element with a new one.

#### CAUTION

**Do not blow the air cleaner element with compressed air.**

#### NOTE:

*If driving under dusty conditions, replace the air cleaner element more frequently. Make sure that the air cleaner is in good condition at all times. The life of the engine depends largely on this component.*

- Install a new air cleaner element in the reverse order of removal.
- Remove the drain plug from the air cleaner box to allow any water to drain out.



## SPARK PLUG

**Inspect every 6 000 km (4 000 miles, 12 months).  
Replace every 12 000 km (7 500 miles, 24 months).**

### SPARK PLUG AND IGNITION COIL/PLUG CAP REMOVAL

- Remove the front seat. (☞ 8-7)
- Lift and support the fuel tank. (☞ 5-3)
- Remove the air cleaner box. (☞ 5-14)
- Disconnect all lead wire couplers from ignition coil/plug caps.

#### CAUTION

**Disconnect the lead wire coupler before removing the ignition coil/plug cap to avoid lead wire coupler damage.**

- Remove the ignition coils/plug caps.

#### CAUTION

**\* Do not pry up the ignition coil/plug cap with a screw driver or a bar to avoid its damage.  
\* Be careful not to drop the ignition coil/plug cap to prevent short/open circuit.**

- Remove the spark plugs with a spark plug wrench.

### HEAT RANGE

- Check spark plug heat range by observing electrode color. If the electrode of the spark plug is wet appearing or dark color, replace the spark plug with hotter type one. If it is white or glazed appearing, replace the spark plug with colder type one.

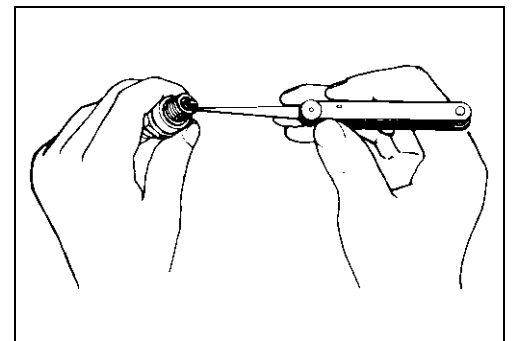
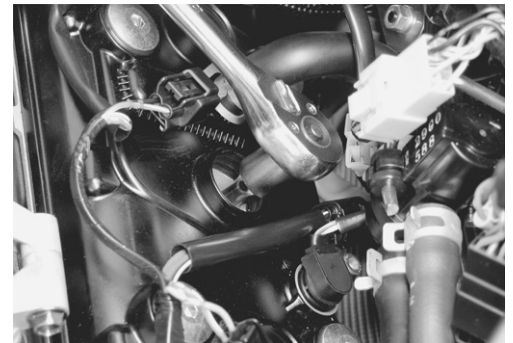
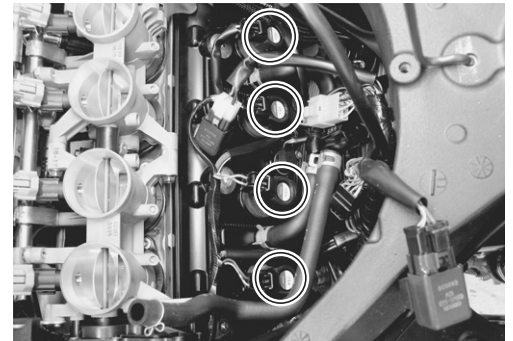
	Hot type	Standard	Cold type
NGK	CR8E	CR9E	CR10E
ND	U24ESR-N	U27ESR-N	U31ESR-N

#### NOTE:

*“R” type spark plug has a resistor built into at the center electrode to prevent radio noise.*

### CARBON DEPOSITS

- Check carbon deposits on the spark plug.
- If carbon is deposited, remove it using a spark plug cleaner machine or carefully use a tool with a pointed end.

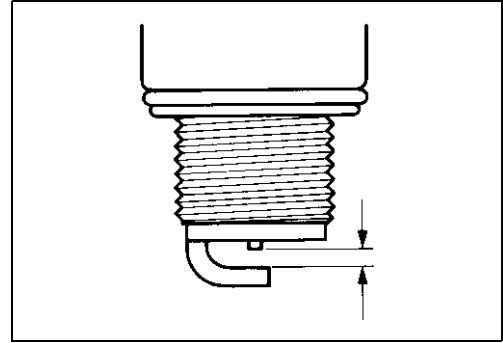


**SPARK PLUG GAP**

- Measure the spark plug gap with a thickness gauge.
- Adjust the spark plug gap if necessary.

**DATA** Spark plug gap:  
 Standard: 0.7 – 0.8 mm (0.028 – 0.031 in)

**TOOL** 09900-20803: Thickness gauge



**ELECTRODE'S CONDITION**

- Check the condition of the electrode.
- If it is extremely worn or burnt, replace the spark plug. Replace the spark plug if it has a broken insulator, damaged thread, etc.

**CAUTION**

Confirm the thread size and reach when replacing the plug. If the reach is too short, carbon will be deposited on the screw portion of the plug hole and engine damage may result.

**SPARK PLUG AND IGNITION COIL/PLUG CAP INSTALLATION**

- Screw the spark plugs into the cylinder head with fingers, and then tighten them to the specified torque.

**🔧** Spark plug: 11 N·m (1.1 kgf·m, 8.0 lb·ft)

**CAUTION**

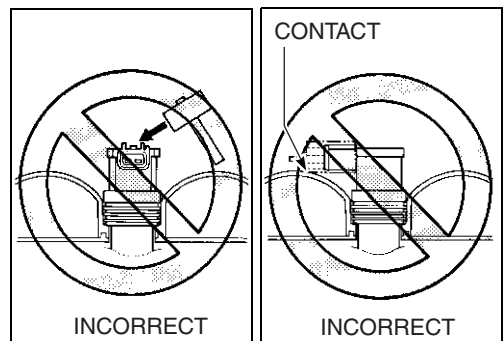
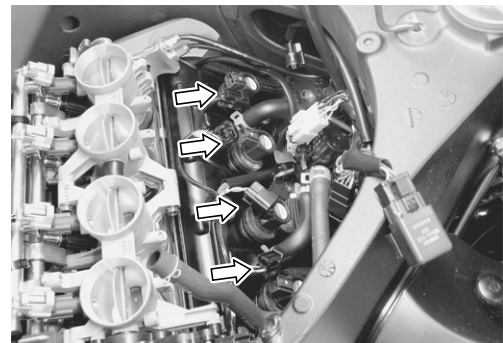
Do not cross thread or over tighten the spark plug, or such an operation will damage the aluminum threads of the cylinder head.



- Install the ignition coils/plug caps and connect their lead wire couplers.

**CAUTION**

- \* Do not hit the ignition coil/plug cap with a plastic hammer when installing it.
- \* Place the ignition coil/spark plug cap so that the coupler does not touch the cylinder head cover.

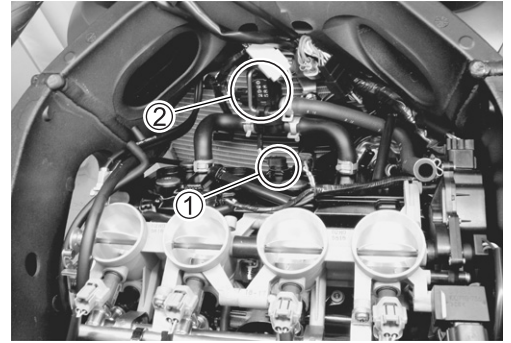




## VALVE CLEARANCE

**Inspect every 24 000 km (14 500 miles, 48 months).**

- Remove the right under cowling. (☞ 8-5)
  - Lift and support the fuel tank. (☞ 5-3)
  - Remove the air cleaner box. (☞ 5-14)
  - Disconnect the CMP sensor coupler ①.
  - Remove the PAIR control solenoid valve ②.
  - Remove the spark plugs. (☞ 2-5)
- 
- Loosen the throttle body clamp screws at the intake pipe side.
  - Move the throttle body assembly.
  - Move the radiator forward. (☞ 6-10)
  - Remove the regulator/rectifier and horn. (☞ 3-6)
  - Remove the cylinder head cover. (☞ 3-14)



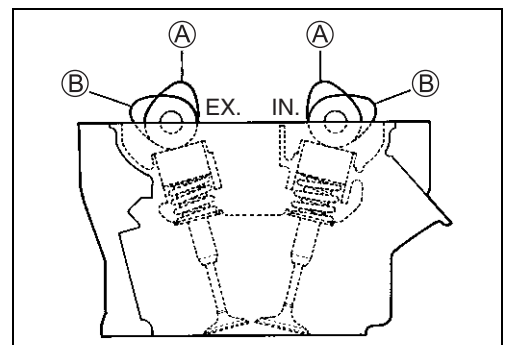
The valve clearance specification is different for intake and exhaust valves. Valve clearance must be checked and adjusted, 1) at the time of periodic inspection, 2) when the valve mechanism is serviced, and 3) when the camshafts are removed for servicing.

**DATA** Valve clearance (when cold):

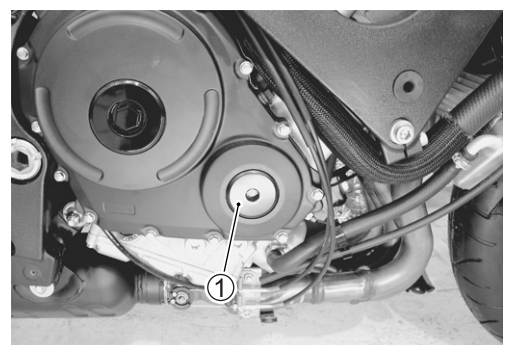
**Standard: IN. : 0.08 – 0.18 mm (0.003 – 0.007 in)**  
**EX. : 0.18 – 0.28 mm (0.007 – 0.011 in)**

**NOTE:**

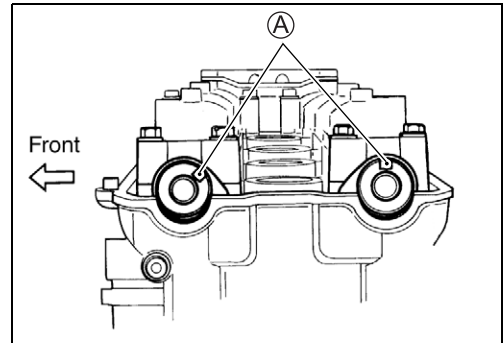
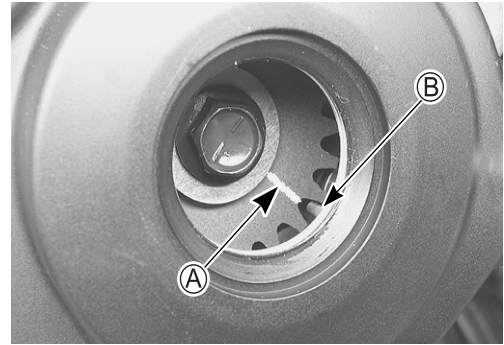
- \* The cam must be at positions, (A) or (B), when checking or adjusting the valve clearance. Clearance readings should not be taken with the cam in any other position than these two positions.
- \* The clearance specification is for COLD state.
- \* To turn the crankshaft for clearance checking, be sure to use a wrench, and rotate in the normal running direction. All spark plugs should be removed.



- Remove the valve timing inspection cap ①.

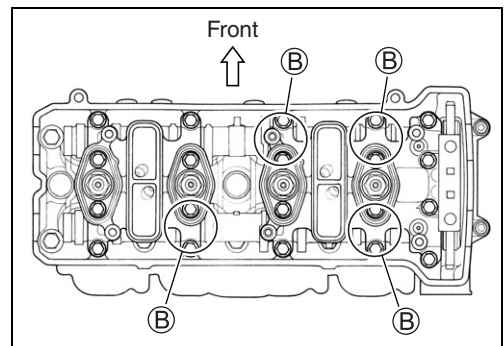


- Turn the crankshaft to bring the line (A) on the CKP sensor rotor to the rib (B) behind the clutch cover and also to bring the notches (A) on the left ends of both camshafts (Ex. and In.) to the positions as shown.

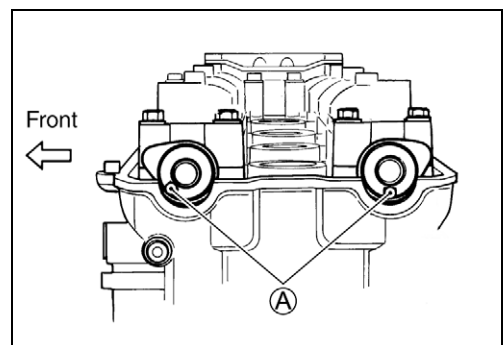






- In this condition, read the valve clearance at the valves (B) (In. and Ex. of No. 4 cylinder, Ex. of No. 3 and In. of No. 2).
- If the clearance is out of specification, adjust the clearance. (↗ 2-9)

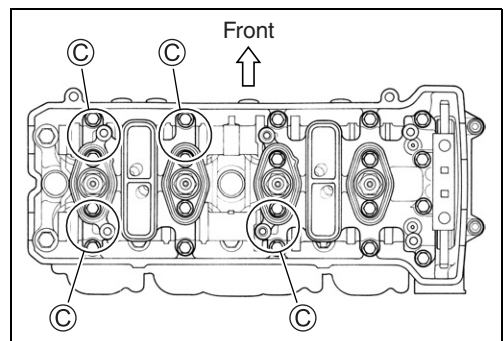
**TOOL 09900-20803: Thickness gauge**



- Turn the crankshaft 360 degrees (one rotation) to bring the line on the CKP sensor rotor to the index mark of valve timing inspection hole and also to bring the notches (A) to the position as shown.
- Read the clearance at the rest of the valves (C) and adjust the clearance if necessary. (↗ 2-9)



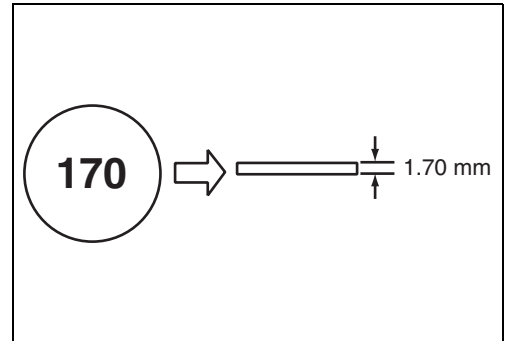
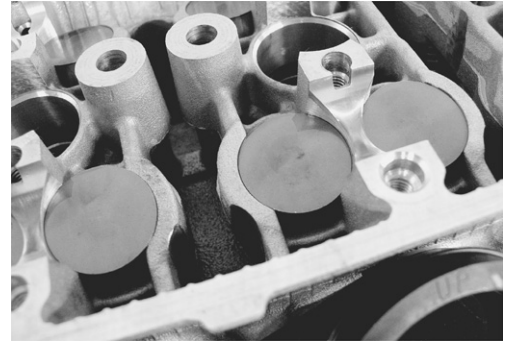
Cam position	Notch (A) position	
	Exhaust Camshaft	Intake Camshaft
(B)	← Front 	← Front 
(C)	← Front 	← Front 



## VALVE CLEARANCE ADJUSTMENT

The clearance is adjusted by replacing the existing tappet shim by a thicker or thinner shim.

- Remove the intake or exhaust camshafts. (☞ 3-14)
- Remove the tappet and shim by fingers or magnetic hand.
- Check the figures printed on the shim. These figures indicate the thickness of the shim, as illustrated.
- Select a replacement shim that will provide a clearance within the specified range. For the purpose of this adjustment, a total of 21 sizes of tappet shim are available ranging from 1.20 to 2.20 mm in steps of 0.05 mm. Fit the selected shim to the valve stem end, with numbers toward tappet. Be sure to check shim size with micrometer to ensure its size. Refer to the tappet shim selection table (☞ 2-10 and -11) for details.



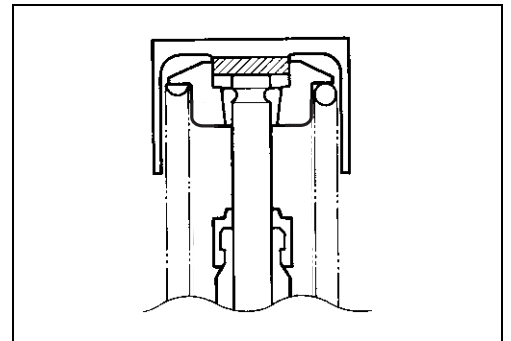
### NOTE:

- \* Be sure to apply engine oil to tappet shim top and bottom faces.
- \* When seating the tappet shim, be sure the figure printed surface faces the tappet.

### NOTE:

Reinstall the camshafts in the specified manner. (☞ 3-92)

- After replacing the tappet shim and camshafts, rotate the engine so that the tappet is depressed fully. This will squeeze out oil trapped between the shim and the tappet that could cause an incorrect measurement. Then check the clearance again to confirm that it is within the specified range.
- After finishing the valve clearance adjustment, reinstall the following items.
  - \* Cylinder head cover (☞ 3-97)
  - \* Spark plug and plug cap (☞ 2-6)
  - \* Throttle body assembly (☞ 5-21)
  - \* Valve timing inspection plug (☞ 3-97)
  - \* PAIR control solenoid valve (☞ 11-7)





(INTAKE SIDE)

TAPPET SHIM SELECTION TABLE [INTAKE]  
TAPPET SHIM NO. (12892-05C00-XXX)

TAPPET SHIM SET (12800-05830)

MEASURED VALVE CLEARANCE (mm)	SUFFIX NO.	SPECIFIED CLEARANCE/NO ADJUSTMENT REQUIRED																			
		120	125	130	135	140	145	150	155	160	165	170	175	180	185	190	195	200	205	210	215
0.00 - 0.04	1.20	1.25	1.30	1.35	1.40	1.45	1.50	1.55	1.60	1.65	1.70	1.75	1.80	1.85	1.90	1.95	2.00	2.05	2.10	2.15	2.20
0.05 - 0.09	1.20	1.25	1.30	1.35	1.40	1.45	1.50	1.55	1.60	1.65	1.70	1.75	1.80	1.85	1.90	1.95	2.00	2.05	2.10	2.15	2.20
0.10 - 0.20	1.30	1.35	1.40	1.45	1.50	1.55	1.60	1.65	1.70	1.75	1.80	1.85	1.90	1.95	2.00	2.05	2.10	2.15	2.20	2.20	2.20
0.21 - 0.25	1.35	1.40	1.45	1.50	1.55	1.60	1.65	1.70	1.75	1.80	1.85	1.90	1.95	2.00	2.05	2.10	2.15	2.20	2.20	2.20	2.20
0.26 - 0.30	1.40	1.45	1.50	1.55	1.60	1.65	1.70	1.75	1.80	1.85	1.90	1.95	2.00	2.05	2.10	2.15	2.20	2.20	2.20	2.20	2.20
0.31 - 0.35	1.45	1.50	1.55	1.60	1.65	1.70	1.75	1.80	1.85	1.90	1.95	2.00	2.05	2.10	2.15	2.20	2.20	2.20	2.20	2.20	2.20
0.36 - 0.40	1.50	1.55	1.60	1.65	1.70	1.75	1.80	1.85	1.90	1.95	2.00	2.05	2.10	2.15	2.20	2.20	2.20	2.20	2.20	2.20	2.20
0.41 - 0.45	1.55	1.60	1.65	1.70	1.75	1.80	1.85	1.90	1.95	2.00	2.05	2.10	2.15	2.20	2.20	2.20	2.20	2.20	2.20	2.20	2.20
0.46 - 0.50	1.60	1.65	1.70	1.75	1.80	1.85	1.90	1.95	2.00	2.05	2.10	2.15	2.20	2.20	2.20	2.20	2.20	2.20	2.20	2.20	2.20
0.51 - 0.55	1.65	1.70	1.75	1.80	1.85	1.90	1.95	2.00	2.05	2.10	2.15	2.20	2.20	2.20	2.20	2.20	2.20	2.20	2.20	2.20	2.20
0.56 - 0.60	1.70	1.75	1.80	1.85	1.90	1.95	2.00	2.05	2.10	2.15	2.20	2.20	2.20	2.20	2.20	2.20	2.20	2.20	2.20	2.20	2.20
0.61 - 0.65	1.75	1.80	1.85	1.90	1.95	2.00	2.05	2.10	2.15	2.20	2.20	2.20	2.20	2.20	2.20	2.20	2.20	2.20	2.20	2.20	2.20
0.66 - 0.70	1.80	1.85	1.90	1.95	2.00	2.05	2.10	2.15	2.20	2.20	2.20	2.20	2.20	2.20	2.20	2.20	2.20	2.20	2.20	2.20	2.20
0.71 - 0.75	1.85	1.90	1.95	2.00	2.05	2.10	2.15	2.20	2.20	2.20	2.20	2.20	2.20	2.20	2.20	2.20	2.20	2.20	2.20	2.20	2.20
0.76 - 0.80	1.90	1.95	2.00	2.05	2.10	2.15	2.20	2.20	2.20	2.20	2.20	2.20	2.20	2.20	2.20	2.20	2.20	2.20	2.20	2.20	2.20
0.81 - 0.85	1.95	2.00	2.05	2.10	2.15	2.20	2.20	2.20	2.20	2.20	2.20	2.20	2.20	2.20	2.20	2.20	2.20	2.20	2.20	2.20	2.20
0.86 - 0.90	2.00	2.05	2.10	2.15	2.20	2.20	2.20	2.20	2.20	2.20	2.20	2.20	2.20	2.20	2.20	2.20	2.20	2.20	2.20	2.20	2.20
0.91 - 0.95	2.05	2.10	2.15	2.20	2.20	2.20	2.20	2.20	2.20	2.20	2.20	2.20	2.20	2.20	2.20	2.20	2.20	2.20	2.20	2.20	2.20
0.96 - 1.00	2.10	2.15	2.20	2.20	2.20	2.20	2.20	2.20	2.20	2.20	2.20	2.20	2.20	2.20	2.20	2.20	2.20	2.20	2.20	2.20	2.20
1.01 - 1.05	2.15	2.20	2.20	2.20	2.20	2.20	2.20	2.20	2.20	2.20	2.20	2.20	2.20	2.20	2.20	2.20	2.20	2.20	2.20	2.20	2.20
1.06 - 1.10	2.20	2.20	2.20	2.20	2.20	2.20	2.20	2.20	2.20	2.20	2.20	2.20	2.20	2.20	2.20	2.20	2.20	2.20	2.20	2.20	2.20
1.11 - 1.15	2.20	2.20	2.20	2.20	2.20	2.20	2.20	2.20	2.20	2.20	2.20	2.20	2.20	2.20	2.20	2.20	2.20	2.20	2.20	2.20	2.20

HOW TO USE THIS CHART:

- I. Measure valve clearance. "ENGINE IS COLD"
- II. Measure present shim size.
- III. Match clearance in vertical column with present shim size in horizontal column.

EXAMPLE

Valve clearance is 0.23 mm  
Present shim size 1.70 mm  
Shim size to be used 1.80 mm

(EXHAUST SIDE)

TAPPET SHIM SELECTION TABLE [EXHAUST]  
TAPPET SHIM NO. (12892-05C00-XXX)

TAPPET SHIM SET (12800-05830)

MEASURED VALVE CLEARANCE (mm)	SUFFIX NO.	SPECIFIED CLEARANCE/NO ADJUSTMENT REQUIRED																							
		120	125	130	135	140	145	150	155	160	165	170	175	180	185	190	195	200	205	210	215	220			
0.05 - 0.09					1.20	1.25	1.30	1.35	1.40	1.45	1.50	1.55	1.60	1.65	1.70	1.75	1.80	1.85	1.90	1.95	2.00	2.05	2.10	2.15	2.20
0.10 - 0.14				1.20	1.25	1.30	1.35	1.40	1.45	1.50	1.55	1.60	1.65	1.70	1.75	1.80	1.85	1.90	1.95	2.00	2.05	2.10	2.15	2.20	
0.15 - 0.19			1.20	1.25	1.30	1.35	1.40	1.45	1.50	1.55	1.60	1.65	1.70	1.75	1.80	1.85	1.90	1.95	2.00	2.05	2.10	2.15	2.20		
0.20 - 0.30																									
0.31 - 0.35		1.30	1.35	1.40	1.45	1.50	1.55	1.60	1.65	1.70	1.75	1.80	1.85	1.90	1.95	2.00	2.05	2.10	2.15	2.20					
0.36 - 0.40		1.35	1.40	1.45	1.50	1.55	1.60	1.65	1.70	1.75	1.80	1.85	1.90	1.95	2.00	2.05	2.10	2.15	2.20						
0.41 - 0.45		1.40	1.45	1.50	1.55	1.60	1.65	1.70	1.75	1.80	1.85	1.90	1.95	2.00	2.05	2.10	2.15	2.20							
0.46 - 0.50		1.45	1.50	1.55	1.60	1.65	1.70	1.75	1.80	1.85	1.90	1.95	2.00	2.05	2.10	2.15	2.20								
0.51 - 0.55		1.50	1.55	1.60	1.65	1.70	1.75	1.80	1.85	1.90	1.95	2.00	2.05	2.10	2.15	2.20									
0.56 - 0.60		1.55	1.60	1.65	1.70	1.75	1.80	1.85	1.90	1.95	2.00	2.05	2.10	2.15	2.20										
0.61 - 0.65		1.60	1.65	1.70	1.75	1.80	1.85	1.90	1.95	2.00	2.05	2.10	2.15	2.20											
0.66 - 0.70		1.65	1.70	1.75	1.80	1.85	1.90	1.95	2.00	2.05	2.10	2.15	2.20												
0.71 - 0.75		1.70	1.75	1.80	1.85	1.90	1.95	2.00	2.05	2.10	2.15	2.20													
0.76 - 0.80		1.75	1.80	1.85	1.90	1.95	2.00	2.05	2.10	2.15	2.20														
0.81 - 0.85		1.80	1.85	1.90	1.95	2.00	2.05	2.10	2.15	2.20															
0.86 - 0.90		1.85	1.90	1.95	2.00	2.05	2.10	2.15	2.20																
0.91 - 0.95		1.90	1.95	2.00	2.05	2.10	2.15	2.20																	
0.96 - 1.00		1.95	2.00	2.05	2.10	2.15	2.20																		
1.01 - 1.05		2.00	2.05	2.10	2.15	2.20																			
1.06 - 1.10		2.05	2.10	2.15	2.20																				
1.11 - 1.15		2.10	2.15	2.20																					
1.16 - 1.20		2.15	2.20																						
1.21 - 1.25		2.20																							

HOW TO USE THIS CHART:

- I. Measure valve clearance. "ENGINE IS COLD"
- II. Measure present shim size.
- III. Match clearance in vertical column with present shim size in horizontal column.

EXAMPLE

Valve clearance is 0.33 mm  
Present shim size 1.70 mm  
Shim size to be used 1.80 mm

## ENGINE OIL AND OIL FILTER

### (ENGINE OIL)

Replace initially at 1 000 km (600 miles, 2 months) and every 6 000 km (4 000 miles, 12 months) thereafter.

### (OIL FILTER)

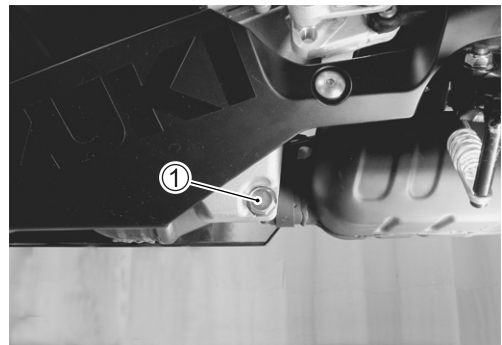
Replace initially at 1 000 km (600 miles, 2 months) and every 18 000 km (11 000 miles, 36 months) thereafter.



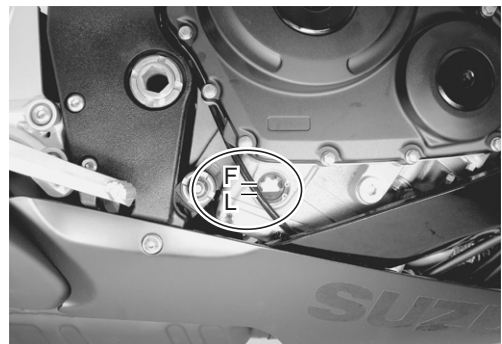
### ENGINE OIL REPLACEMENT

- Remove the under cowlings. (☞ 8-5)
- Keep the motorcycle upright.
- Place an oil pan below the engine, and drain oil by removing the oil drain plug ① and filler cap ②.
- Tighten the drain plug ① to the specified torque, and pour fresh oil through the oil filler. The engine will hold about 2.2 L (2.3/1.9 US/Imp qt) of oil. Use of SF/SG or SH/SJ in API with MA in JASO.

 **Oil drain plug: 23 N·m (2.3 kgf-m, 16.5 lb-ft)**



- Start up the engine and allow it to run for several minutes at idling speed.
- Turn off the engine and wait about three minutes, then check the oil level through the inspection window. If the level is below mark “L”, add oil to “F” level. If the level is above mark “F”, drain oil to “F” level.

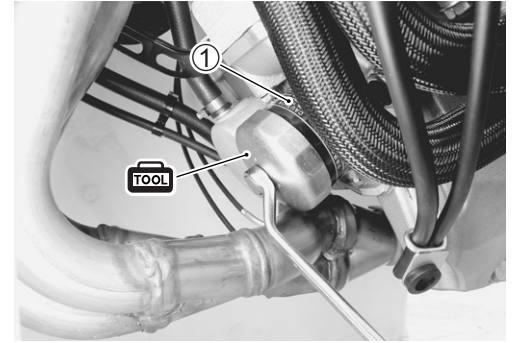


### OIL FILTER REPLACEMENT

- Drain the engine oil as described in the engine oil replacement procedure.
- Remove the oil filter ① with the special tool.

**TOOL** 09915-40610: Oil filter wrench

- Apply engine oil lightly to the gasket of the new oil filter before installation.



- Install the new oil filter. Turn it by hand until you feel that the oil filter gasket contacts the oil filter mounting surface. Then, tighten the oil filter two full turns (or to specified torque) with the special tool.

**NOTE:**

To properly tighten the oil filter, use the special tool. Never tighten the oil filter by hand.

**🔑** Oil filter: 20 N·m (2.0 kgf-m, 14.5 lb-ft)

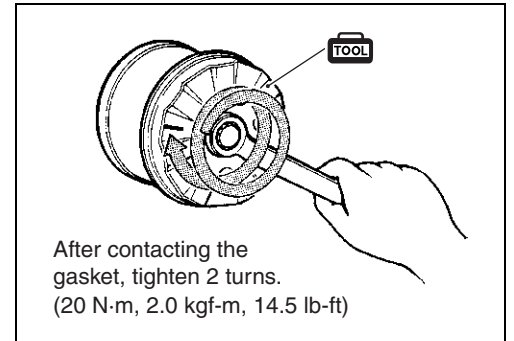
- Add new engine oil and check the oil level is as described in the engine oil replacement procedure.

**DATA** NECESSARY AMOUNT OF ENGINE OIL:

Oil change	: 2.2 L (2.3/1.9 US/Imp qt)
Oil and filter change	: 2.5 L (2.6/2.2 US/Imp qt)
Engine overhaul	: 2.9 L (3.1/2.6 US/Imp qt)

**CAUTION**

**ONLY USE A GENUINE SUZUKI MOTORCYCLE OIL FILTER.** Other manufacturer's oil filters may differ in thread specifications (thread diameter and pitch), filtering performance and durability which may lead to engine damage or oil leaks. Also, do not use a genuine Suzuki automobile oil filter on this motorcycle.

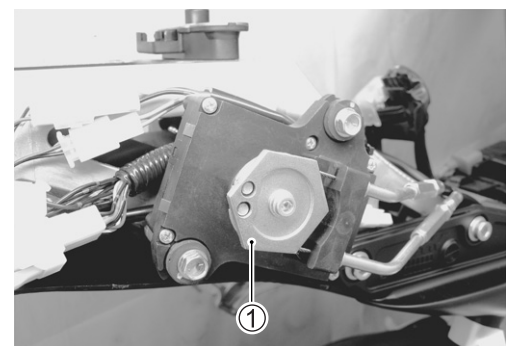


### EXHAUST CONTROL VALVE

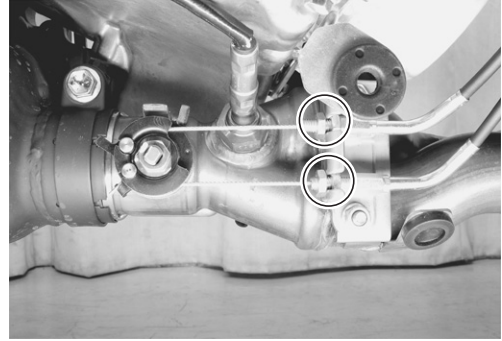
**Inspect initially at 1 000 km (600 miles, 2 months) and every 12 000 km (7 500 miles, 24 months) thereafter.**

Exhaust control valve actuator is installed in the right-hand side in tail cowl.

Check the exhaust control valve actuator ① for its movement when the ignition switch is turned ON. If the exhaust valve actuator does not move, check exhaust valve actuator electrical circuit and exhaust valve carbon sticking. Check the exhaust control cable play. (🔧 6-14)



- Remove the under cowlings. (☞ 8-5)
- Check the lock-nuts tightness. If the lock-nuts are loose, adjust the cable play and tighten the lock-nuts.



## FUEL LINE

**Inspect initially 6 000 km (4 000 miles, 12 months).**

- Inspect the fuel feed hose ① for damage and fuel leakage. If any defects are found, the fuel feed hose must be replaced.



## ENGINE IDLE SPEED

**Inspect initially at 1 000 km (600 miles, 2 months) and every 6 000 km (4 000 miles, 12 months) thereafter.**

### NOTE:

*Warm up the engine before adjusting the engine idle speed.*

- Start the engine, turn the throttle stop screw and set the engine idle speed as follows.

**DATA** Engine idle speed: 1 300 ± 100 r/min



## THROTTLE VALVE SYNCHRONIZATION

Inspect initially at 1 000 km (600 miles, 2 months) (E-33 only) and every 12 000 km (7 500 miles, 24 months).

- Inspect the throttle valve synchronization periodically. (👉 5-26)

## EVAPORATIVE EMISSION CONTROL SYSTEM (E-33 ONLY)

Inspect every 12 000 km (7 500 miles, 24 months).  
Replace vapor hose every 4 years.

- Inspect the evaporative emission control system periodically.

## PAIR (AIR SUPPLY) SYSTEM

Inspect every 12 000 km (7 500 miles, 24 months).

- Inspect the PAIR (air supply) system periodically. (👉 11-6)

## THROTTLE CABLE PLAY

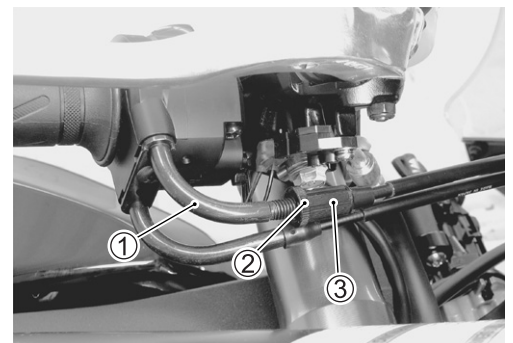
Inspect initially at 1 000 km (600 miles, 2 months) and every 6 000 km (4 000 miles, 12 months) thereafter.

- Adjust the throttle cable play  $\text{\textcircled{A}}$  as follows.
- Loosen the lock-nut  $\text{\textcircled{2}}$  of the throttle pulling cable  $\text{\textcircled{1}}$ .
- Turn the adjuster  $\text{\textcircled{3}}$  in or out until the throttle cable play (at the throttle grip)  $\text{\textcircled{A}}$  is between 2.0 – 4.0 mm (0.08 – 0.16 in).
- Tighten the lock-nut  $\text{\textcircled{2}}$  while holding the adjuster  $\text{\textcircled{3}}$ .

**DATA** Throttle cable play  $\text{\textcircled{A}}$ : 2.0 – 4.0 mm (0.08 – 0.16 in)

### **⚠ WARNING**

After the adjustment is completed, check that handlebar movement does not raise the engine idle speed and that the throttle grip returns smoothly and automatically.

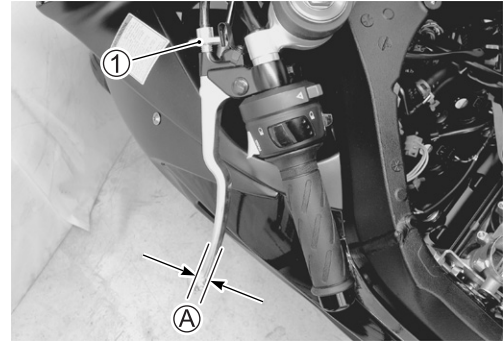




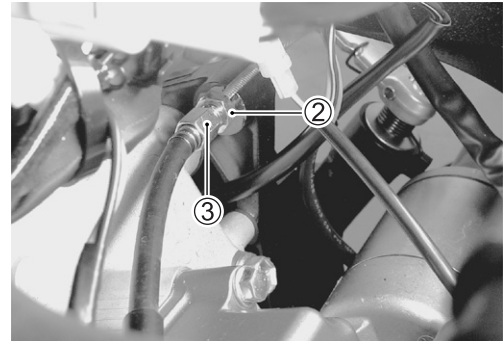
## CLUTCH

**Inspect every 6 000 km (4 000 miles, 12 months).**

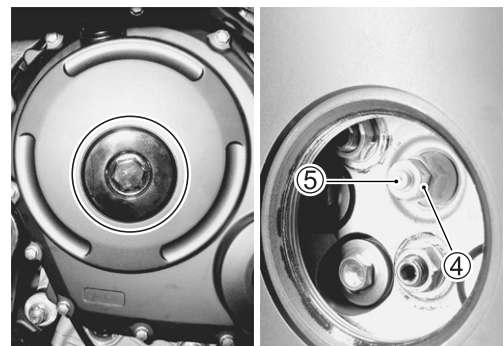
- Lift and support the fuel tank with its prop stay. (☞ 5-3)
- Turn in the adjuster ① all the way into the clutch lever assembly.



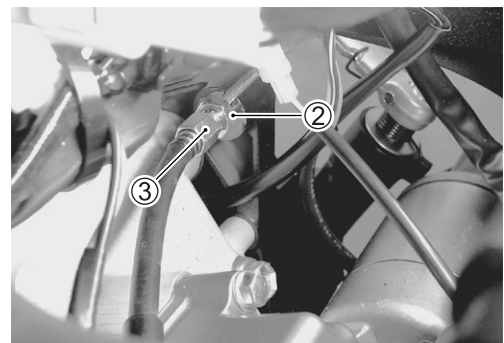
- Loosen the lock-nut ② and turn the clutch cable adjuster ③ to obtain proper cable play.



- Remove the clutch release adjuster cap.
- Loosen the lock-nut ④ and turn out the adjusting screw ⑤ two or three rotations.
- From that position, slowly turn in the adjusting screw ⑤ until resistance is felt.
- From this position, turn out the adjusting screw ⑤ 1/2 rotation, and tighten the lock-nut ④ while holding the screw ⑤.



- Turn the cable adjuster ③ to obtain 10 – 15 mm (0.4 – 0.6 in) of free play ① at the clutch lever end.
- Tighten the lock-nut ②.



**DATA** Clutch lever play ①: 10 – 15 mm (0.4 – 0.6 in)  
Clutch release screw: 1/2 turn out

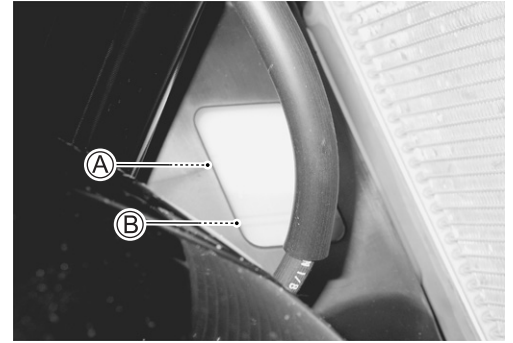
**🔧** Clutch release adjuster cap: 11 N·m (1.1 kgf·m, 8.0 lb-ft)

## COOLING SYSTEM

**Inspect every 6 000 km (4 000 miles, 12 months).  
Replace engine coolant every 2 years.**

### ENGINE COOLANT LEVEL CHECK

- Keep the motorcycle upright.
- Check the engine coolant level by observing the full and lower lines on the engine coolant reservoir.
  - Ⓐ Full line    Ⓑ Lower line
- If the level is below the lower line, remove the right under cowling (☞ 8-5), and add engine coolant to the full line from the engine coolant reservoir filler.



### ENGINE COOLANT CHANGE

- Remove the under cowlings. (☞ 8-5)
- Remove the radiator cap ①.
- Drain engine coolant by disconnecting the radiator hose ② from the pump.

#### **⚠ WARNING**

**\* Do not open the radiator cap when the engine is hot, as you may be injured by escaping hot liquid or vapor.**

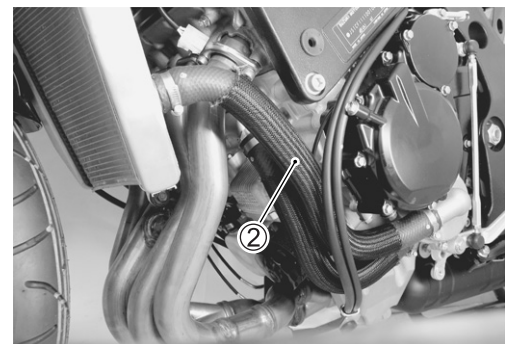
**\* Engine coolant may be harmful if swallowed or if it comes in contact with skin or eyes. If engine coolant gets into the eyes or in contact with the skin, flush thoroughly with plenty of water. If swallowed, induce vomiting and call physician immediately!**

- Flush the radiator with fresh water if necessary.
- Connect the radiator hose ② securely.
- Pour the specified engine coolant up to the radiator inlet.

**LLC Engine coolant capacity (excluding reservoir):**  
**2 400 ml (2.5/2.1 US/Imp qt)**

- Bleed the air from the engine coolant circuit in the following procedure. (☞ 2-18)

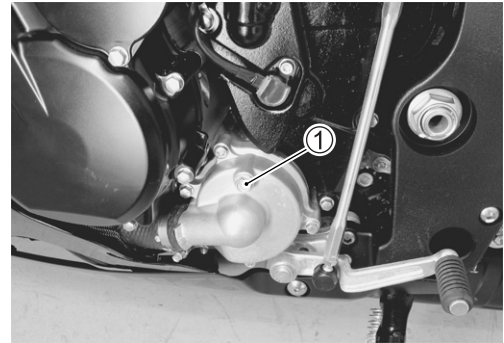
### ENGINE COOLANT INFORMATION (☞ 7-2)





### AIR BLEEDING THE COOLING CIRCUIT

- Add engine coolant up to the radiator inlet.
  - Support the motorcycle upright.
  - Slowly swing the motorcycle, right and left, to bleed the air trapped in the cooling circuit.
  - Add engine coolant up to the radiator inlet.
- 
- Start up the engine and bleed air from the radiator inlet completely.
  - Add engine coolant up to the radiator inlet.
  - Repeat the above procedure until no air bleeds from the radiator inlet.
  - Loosen the air bleeding bolt ① and check that the engine coolant flows out.
  - Close the air bleeding bolt securely.
- 
- Close the radiator cap securely.
  - After warming up and cooling down the engine several times, add the engine coolant up to the full level of the reservoir.



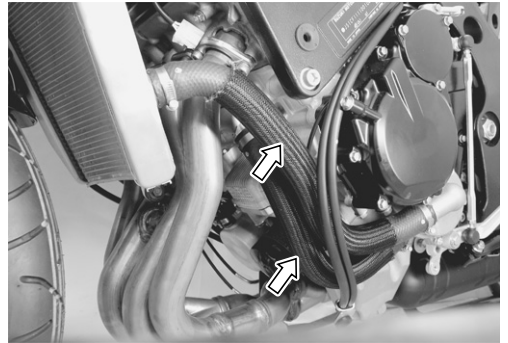
#### CAUTION

**Repeat the above procedure several times and make sure that the radiator is filled with engine coolant up to the reservoir full level.**

- **LLC** Engine coolant capacity:
- Engine side : 2 400 ml (2.5/2.1 US/Imp qt)
  - Reservoir tank side : 250 ml (0.3/0.2 US/Imp qt)

**RADIATOR HOSES**

- Remove the under cowlings. (☞ 8-5)
- Lift and support the fuel tank. (☞ 5-3)
- Check the radiator hoses for crack, damage or engine coolant leakage.
- If any defect is found, replace the radiator hose with new one.



## DRIVE CHAIN

**Inspect initially at 1 000 km (600 miles, 2 months) and every 6 000 km (4 000 miles, 12 months) thereafter. Clean and lubricate every 1 000 km (600 miles).**

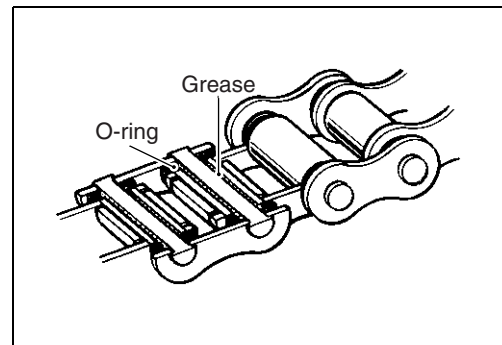
Visually check the drive chain for the possible defects listed below. (Support the motorcycle by a jack and a wooden block, turn the rear wheel slowly by hand with the transmission shifted to Neutral.)

- \* Loose pins
- \* Excessive wear
- \* Damaged rollers
- \* Improper chain adjustment
- \* Dry or rusted links
- \* Missing O-ring seals
- \* Kinked or binding links

If any defect is found, the drive chain must be replaced.

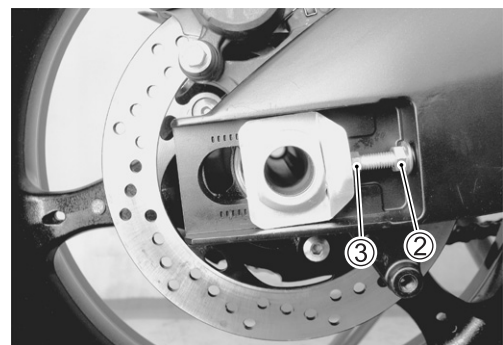
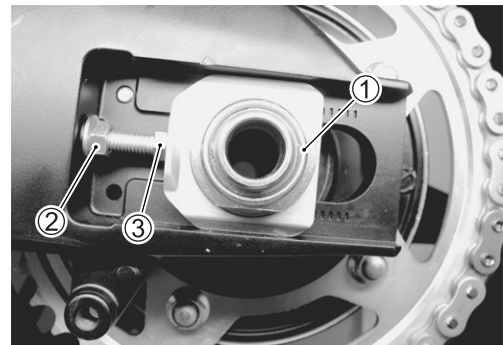
### NOTE:

When replacing the drive chain, replace the drive chain and sprockets as a set.



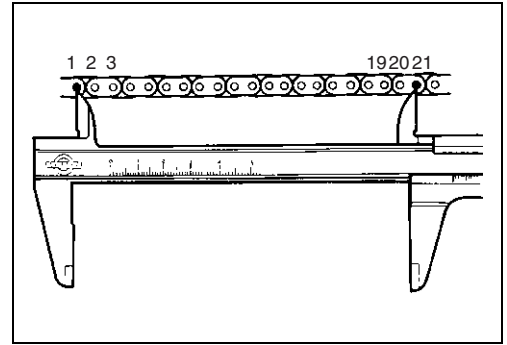
### CHECKING

- Remove the axle cotter pin. (For E-03, 28, 33)
- Loosen the axle nut ①.
- Loosen the chain adjuster lock-nuts ②.
- Give tension to the drive chain fully by turning both chain adjuster bolts ③.



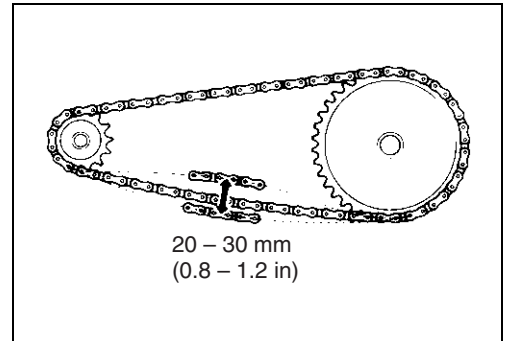
- Count out 21 pins (20 pitches) on the chain and measure the distance between the two points. If the distance exceeds the service limit, the chain must be replaced.

**DATA** Drive chain 20-pitch length:  
**Service limit: 319.4 mm (12.57 in)**



**ADJUSTING**

- Loosen or tighten both chain adjuster bolts ① until there is 20 – 30 mm (0.8 – 1.2 in) of slack at the middle of the chain between the engine and rear sprockets as shown. The chain adjuster position relative to the reference marks ④ on both sides of the swingarm must be equal to ensure that the front and rear wheels are correctly aligned.

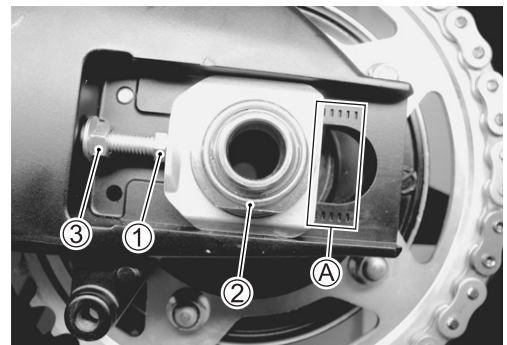


**DATA** Drive chain slack:  
**Standard: 20 – 30 mm (0.8 – 1.2 in)**

- Place the motorcycle on its side-stand for accurate adjustment.
- After adjusting the drive chain, tighten the axle nut ② to the specified torque.
- Tighten both chain adjuster lock-nuts ③ securely.

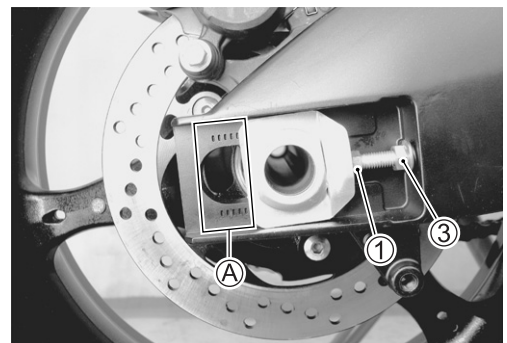
**Wrench** Rear axle nut: 100 N·m (10.0 kgf-m, 72.5 lb-ft)

- Install a new cotter pin. (For E-03, 28, 33)
- Recheck the drive chain slack after tightening the axle nut.



**NOTE:**

Do not adjust the drive chain beyond the adjustable range ④.  
 Replace the drive chain before drive chain exceeds the limit.



### CLEANING AND LUBRICATING

- Clean the drive chain with kerosine. If the drive chain tends to rust quickly, the intervals must be shortened.

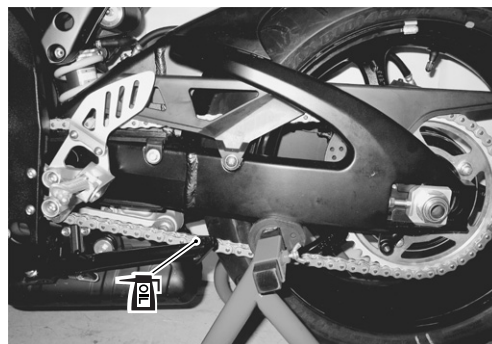
#### CAUTION

**Do not use trichloroethylene, gasoline or any similar solvent. These fluids will damage the O-rings. Use only kerosine to clean the drive chain.**

- After washing and drying the chain, oil it with a heavyweight motor oil.

#### CAUTION

- \* Do not use any oil sold commercially as “drive chain oil”. Such oil can damage the O-rings.
- \* The standard drive chain is RK525SMOZ7Y. Suzuki recommends to use this standard drive chain as a replacement.



## BRAKE

### (BRAKE)

Inspect initially at 1 000 km (600 miles, 2 months) and every 6 000 km (4 000 miles, 12 months) thereafter.

### (BRAKE HOSE AND BRAKE FLUID)

Inspect every 6 000 km (4 000 miles, 12 months).  
Replace hoses every 4 years. Replace fluid every 2 years.

### BRAKE FLUID LEVEL CHECK

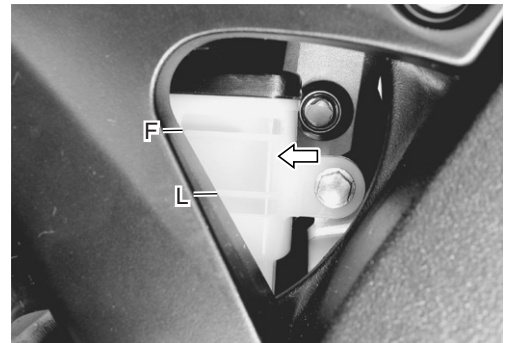
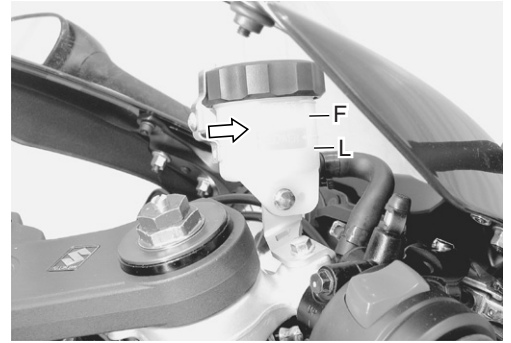
- Keep the motorcycle upright and place the handlebars straight.
- Check the brake fluid level relative to the lower limit lines on the front and rear brake fluid reservoirs.
- When the level is below the lower limit line, replenish with brake fluid that meets the following specification.



**Specification and classification: DOT 4**


### ⚠ WARNING

- \* The brake system of this motorcycle is filled with a glycol-based brake fluid. Do not use or mix different types of fluid such as silicone-based and petroleum-based fluids. Do not use any brake fluid taken from old, used or unsealed containers. Never re-use brake fluid left over from the last servicing or stored for a long period of time.
- \* Brake fluid, if it leaks, will interfere with safe running and immediately discolor painted surfaces. Check the brake hoses and hose joints for cracks and fluid leakage before riding.



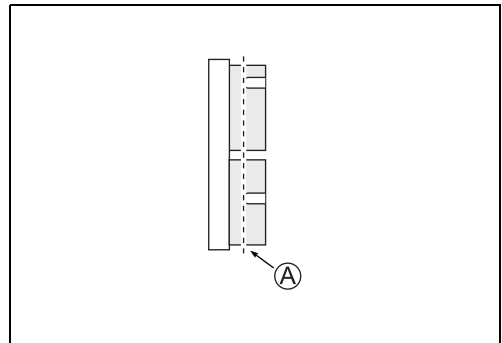
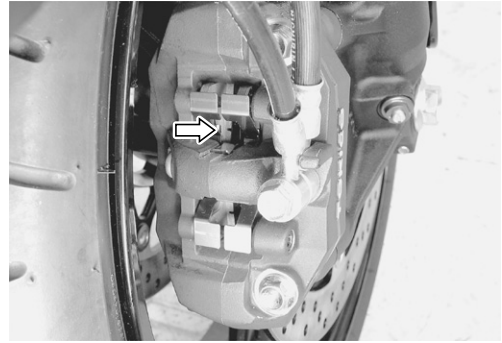
**BRAKE PADS****Front brake**

The extent of brake pad wear can be checked by observing the grooved limit line (A) on the pad. When the wear exceeds the grooved limit line, replace the pads with the new ones.


( 8-65)

**CAUTION**

Replace the brake pads as a set, otherwise braking performance will be adversely affected.

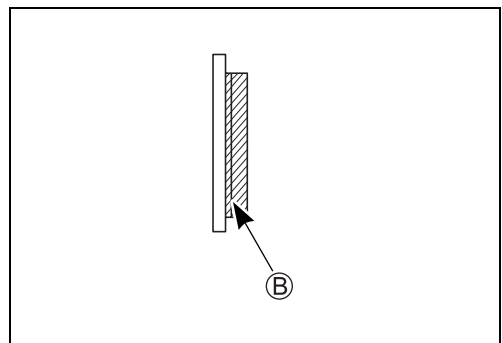
**Rear brake**

The extent of brake pad wear can be checked by observing the grooved limit line (B) on the pad. When the wear exceeds the grooved limit line, replace the pads with the new ones.

( 8-76)


**CAUTION**

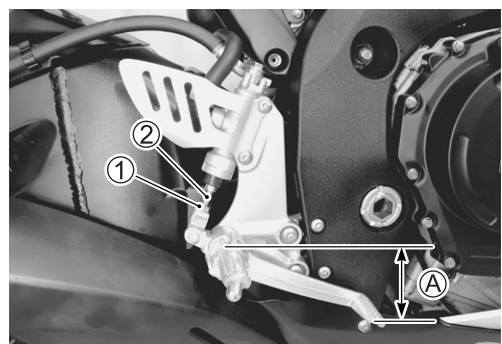
Replace the brake pads as a set, otherwise braking performance will be adversely affected.

**BRAKE PEDAL HEIGHT**

- Loosen the lock-nut (1).
- Turn the push rod (2) until the brake pedal height becomes 65 – 75 mm (2.6 – 3.0 in) (A) below the top of the footrest.
- Tighten the lock-nut (1) securely.

 **Rear brake master cylinder rod lock-nut:**  
18 N·m (1.8 kgf·m, 13.0 lb-ft)

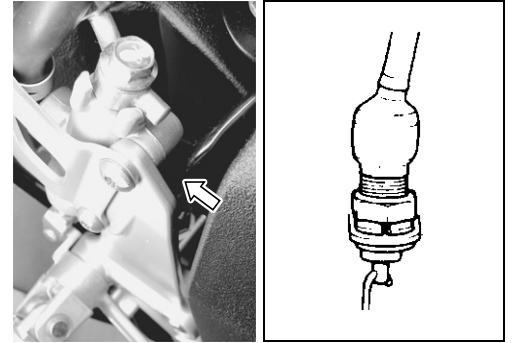
 **Brake pedal height (A):**  
Standard: 65 – 75 mm (2.6 – 3.0 in)





### BRAKE LIGHT SWITCH

- Adjust the rear brake light switch so that the brake light will come on just before pressure is felt when the brake pedal is depressed.



### AIR BLEEDING FROM BRAKE FLUID CIRCUIT

Air trapped in the brake fluid circuit acts like a cushion to absorb a large proportion of the pressure developed by the master cylinder and thus interferes with the full braking performance of the brake caliper. The presence of air is indicated by “sponginess” of the brake lever and also by lack of braking force. Considering the danger to which such trapped air exposes the machine and rider, it is essential that after remounting the brake and restoring the brake system to the normal condition, the brake fluid circuit be purged of air in the following manner:

#### FRONT BRAKE (Caliper side)

- Fill the master cylinder reservoir to the top of the inspection window. Replace the reservoir cap to prevent dirt from entering.
- Attach a hose to the air bleeder valve and insert the free end of the hose into a receptacle.
- Squeeze and release the brake lever several times in rapid succession and squeeze the lever fully without releasing it. Loosen the air bleeder valve by turning it a quarter of a turn so that the brake fluid runs into the receptacle. This will remove the tension of the brake lever causing it to touch the handlebar grip. Then, close the air bleeder valve, pump and squeeze the lever, and open the valve. Repeat this process until fluid flowing into the receptacle no longer contains air bubbles.

#### NOTE:

*While bleeding the brake system, replenish the brake fluid in the reservoir as necessary. Make sure that there is always some fluid visible in the reservoir.*

- Close the air bleeder valve and disconnect the hose. Fill the reservoir with brake fluid to the top of the inspection window.

 **Air bleeder valve: 7.5 N·m (0.75 kgf-m, 5.5 lb-ft)**

#### CAUTION

**Handle brake fluid with care: the fluid reacts chemically with paint, plastics, rubber materials, etc.**





### FRONT BRAKE (Master cylinder side)

- Bleed air from the master cylinder in the same manner as front brake (caliper side).

 **Air bleeder valve: 6.0 N-m (0.6 kgf-m, 4.3 lb-ft)**

#### NOTE:

*If air is trapped in the master cylinder, bleed air from the master cylinder first.*



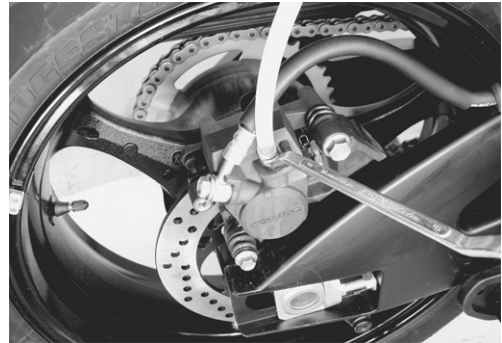
### REAR BRAKE

- Bleed air from the rear brake system in the same manner as front brake.

 **Air bleeder valve: 7.5 N-m (0.75 kgf-m, 5.5 lb-ft)**

#### NOTE:

*The only of between operation from bleeding the front brake is that the rear master cylinder is actuated by a pedal.*



## TIRES

Inspect every 6 000 km (4 000 miles, 12 months).

### TIRE TREAD CONDITION

Operating the motorcycle with excessively worn tires will decrease riding stability and consequently invite a dangerous situation. It is highly recommended to replace a tire when the remaining depth of tire tread reaches the following specification.

**TOOL** 09900-20805: Tire depth gauge

**DATA** Tire tread depth:

Service Limit: FRONT : 1.6 mm (0.06 in)

REAR : 2.0 mm (0.08 in)

### TIRE PRESSURE

If the tire pressure is too high or too low, steering will be adversely affected and tire wear will increase. Therefore, maintain the correct tire pressure for good roadability and a longer tire life. Cold inflation tire pressure is as follows.

**DATA** Cold inflation tire pressure

Solo riding: Front: 250 kPa (2.50 kgf/cm<sup>2</sup>, 36 psi)

Rear: 250 kPa (2.50 kgf/cm<sup>2</sup>, 36 psi)

Dual riding: Front: 250 kPa (2.50 kgf/cm<sup>2</sup>, 36 psi)

Rear: 290 kPa (2.90 kgf/cm<sup>2</sup>, 42 psi)

### CAUTION

The standard tire fitted on this motorcycle is 120/70 ZR17 M/C (58 W) for the front and 180/55 ZR17 M/C (73 W) for the rear. The use of tires other than those specified may cause instability. It is highly recommended to use the specified tires.

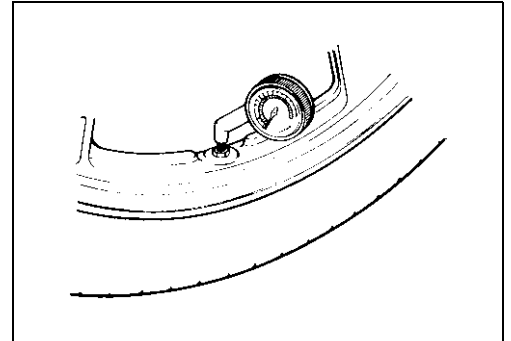
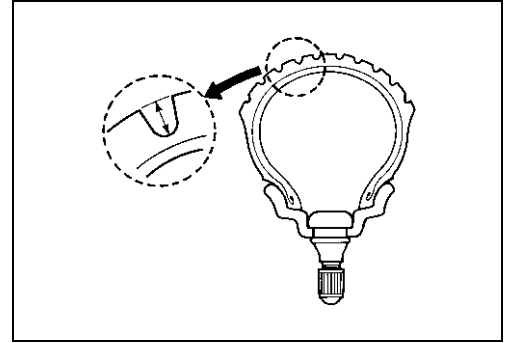
**DATA** TIRE TYPE

BRIDGESTONE (Front: BT014FJ, Rear: BT014R N)

## STEERING

Inspect initially at 1 000 km (600 miles, 2 months) and every 12 000 km (7 500 miles, 24 months) thereafter.

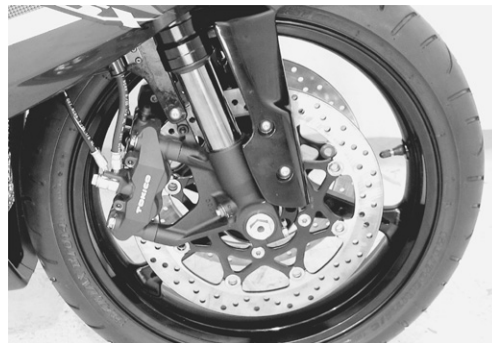
The steering should be adjusted properly for smooth turning of the handlebars and safe operation. Overtighten steering prevents smooth turning of the handlebars and too loose steering will cause poor stability. Check that there is no play in the front fork. Support the motorcycle so that the front wheel is off the ground. With the wheel facing straight ahead, grasp the lower fork tubes near the axle and pull forward. If play is found, readjust the steering. (📖 8-33)



## FRONT FORK

**Inspect every 12 000 km (7 500 miles, 24 months).**

- Inspect the front forks for oil leakage, scoring or scratches on the outer surface of the inner tubes. Replace any defective parts, if necessary. (👉 8-18)



## REAR SUSPENSION

**Inspect every 12 000 km (7 500 miles, 24 months).**

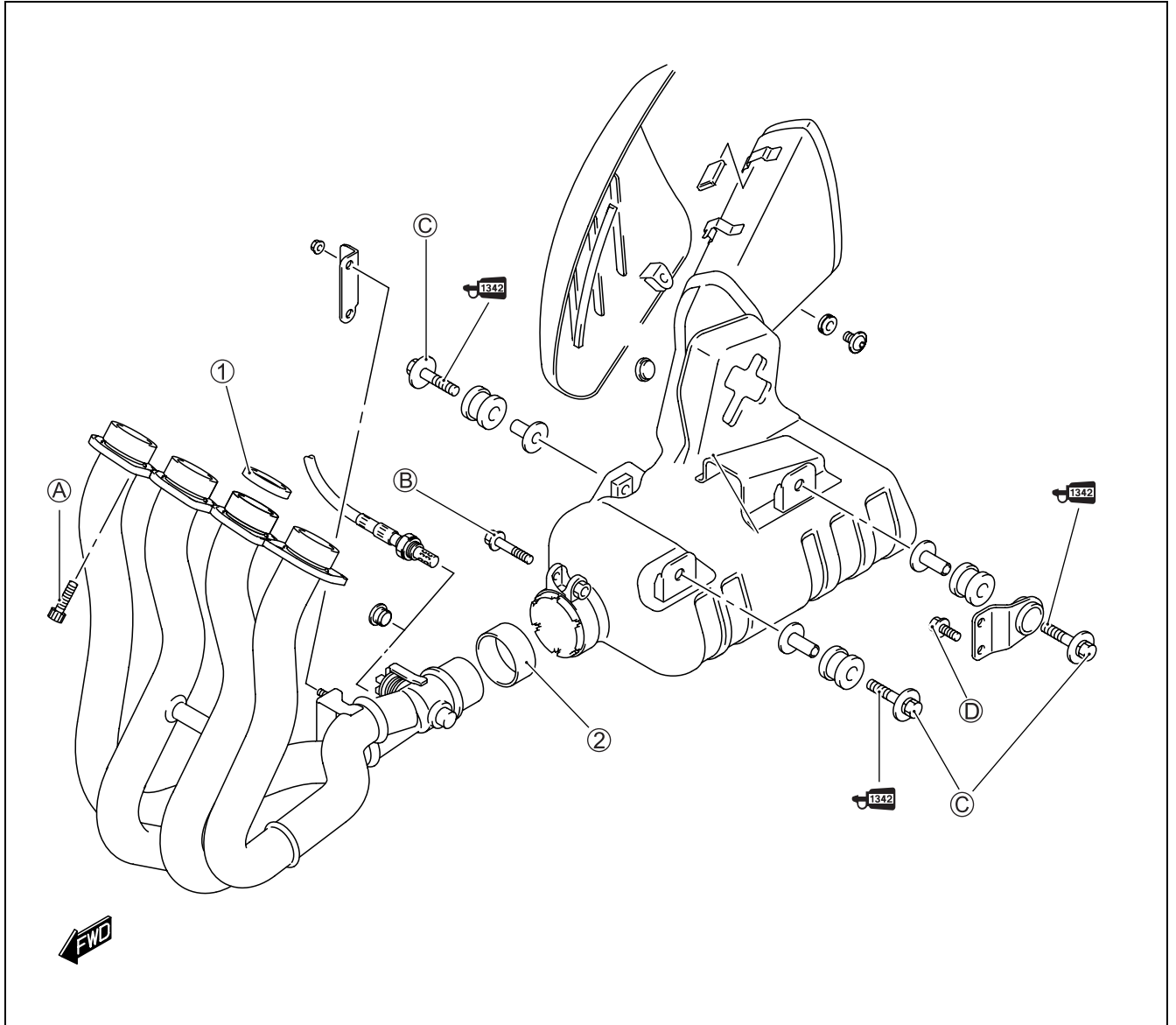
- Inspect the rear shock absorbers for oil leakage and check that there is no play in the swingarm. Replace any defective parts if necessary. (👉 8-49)



## EXHAUST PIPE BOLT AND NUT

Tighten initially at 1 000 km (600 miles, 2 months) and every 12 000 km (7 500 miles, 24 months) thereafter.

- Tighten the exhaust pipe bolts, muffler mounting bolt and nut to the specified torque.



- ① Gasket
- ② Exhaust pipe connector

ITEM	N·m	kgf·m	lb·ft
A/B	23	2.3	16.5
C/D			

### CAUTION

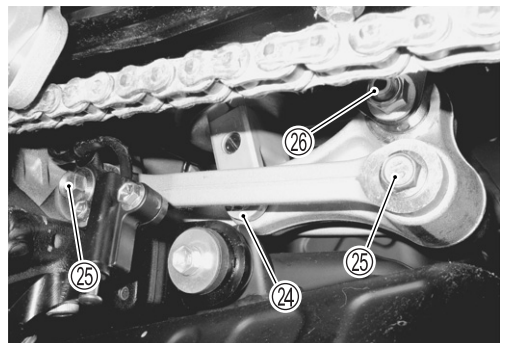
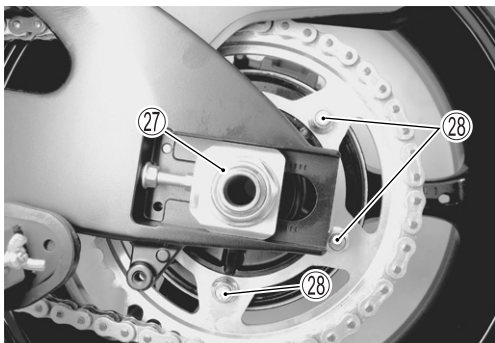
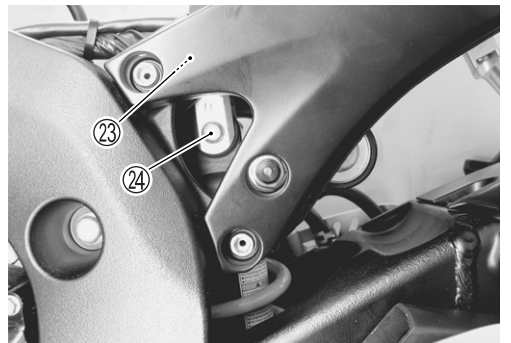
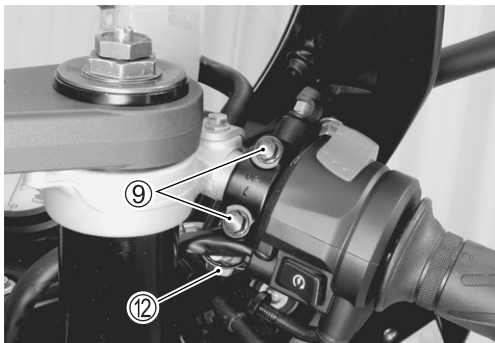
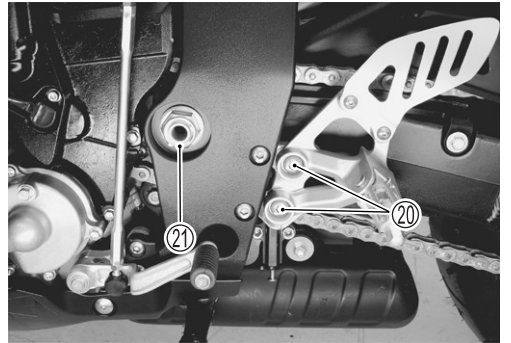
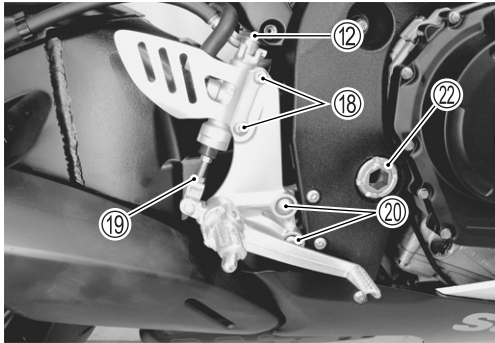
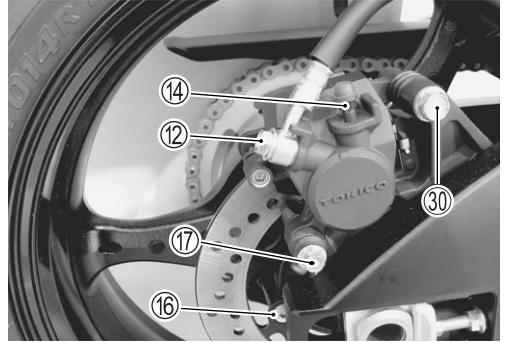
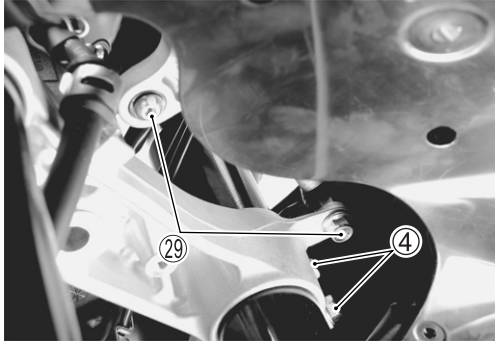
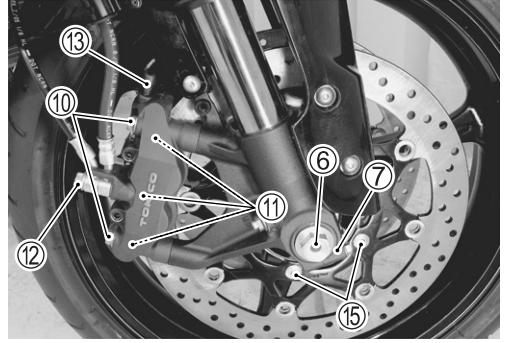
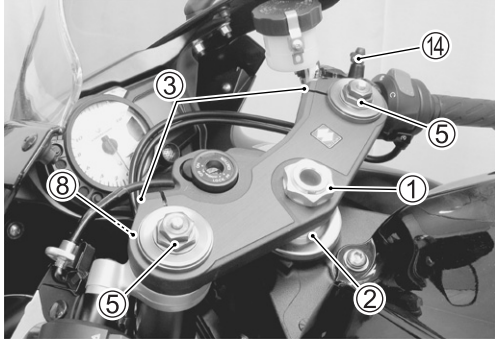
Replace the gaskets and exhaust pipe connector with the new ones.

## CHASSIS BOLTS AND NUTS

**Tighten initially at 1 000 km (600 miles, 2 months) and every 6 000 km (4 000 miles, 12 months) thereafter.**

Check that all chassis bolts and nuts are tightened to their specified torque. (Refer to page 2-31 for the locations of the following nuts and bolts on the motorcycle.)

Item	N·m	kgf·m	lb·ft
① Steering stem head nut	90	9.0	65.0
② Steering stem lock-nut	80	8.0	58.0
③ Front fork upper clamp bolt	23	2.3	16.5
④ Front fork lower clamp bolt	23	2.3	16.5
⑤ Front fork cap bolt	23	2.3	16.5
⑥ Front axle bolt	100	10.0	72.5
⑦ Front axle pinch bolt	23	2.3	16.5
⑧ Handlebar clamp bolt	23	2.3	16.5
⑨ Front brake master cylinder mounting bolt	10	1.0	7.0
⑩ Front brake caliper mounting bolt	39	3.9	28.0
⑪ Front brake caliper housing bolt	22	2.2	16.0
⑫ Brake hose union bolt (Front & Rear)	23	2.3	16.5
⑬ Air bleeder valve (Front brake caliper & Rear brake caliper)	7.5	0.75	5.5
⑭ Air bleeder valve (Master cylinder)	6.0	0.6	4.5
⑮ Brake disc bolt (Front)	23	2.3	16.5
⑯ Brake disc bolt (Rear)	35	3.5	25.5
⑰ Rear brake caliper mounting bolt	17	1.7	12.5
⑱ Rear brake master cylinder mounting bolt	10	1.0	7.0
⑲ Rear brake master cylinder rod lock-nut	18	1.8	13.0
⑳ Front footrest bracket mounting bolt	23	2.3	16.5
㉑ Swingarm pivot nut	100	10.0	72.5
㉒ Swingarm pivot lock-nut	90	9.0	65.0
㉓ Rear suspension bracket nut	115	11.5	83.0
㉔ Rear shock absorber mounting bolt/nut (Upper & Lower)	50	5.0	36.0
㉕ Cushion rod nut	78	7.8	56.5
㉖ Cushion lever mounting nut	98	9.8	71.0
㉗ Rear axle nut	100	10.0	72.5
㉘ Rear sprocket nut	93	9.3	67.5
㉙ Steering damper bolt/nut	23	2.3	16.5
㉚ Rear brake caliper pin bolt	32	3.2	23.0



## COMPRESSION PRESSURE CHECK

The compression pressure reading of a cylinder is a good indicator of its internal condition.

The decision to overhaul the cylinder is often based on the results of a compression test. Periodic maintenance records kept at your dealership should include compression readings for each maintenance service.

### COMPRESSION PRESSURE SPECIFICATION

Standard	Limit	Difference
1 200 – 1 600 kPa (12 – 16 kgf/cm <sup>2</sup> , 171 – 228 psi)	900 kPa (9 kgf/cm <sup>2</sup> , 128 psi)	200 kPa (2 kgf/cm <sup>2</sup> , 28 psi)

### Low compression pressure can indicate any of the following conditions:

- \* Excessively worn cylinder walls
- \* Worn piston or piston rings
- \* Piston rings stuck in grooves
- \* Poor valve seating
- \* Ruptured or otherwise defective cylinder head gasket

### Overhaul the engine in the following cases:

- \* Compression pressure in one of the cylinders is 900 kPa (9 kgf/cm<sup>2</sup>, 128 psi) and less.
- \* The difference in compression pressure between any two cylinders is 200 kPa (2 kgf/cm<sup>2</sup>, 28 psi) and more.
- \* All compression pressure readings are below 1 200 kPa (12 kgf/cm<sup>2</sup>, 171 psi) even when they measure 900 kPa (9 kgf/cm<sup>2</sup>, 128 psi) and more.

## COMPRESSION TEST PROCEDURE

### NOTE:

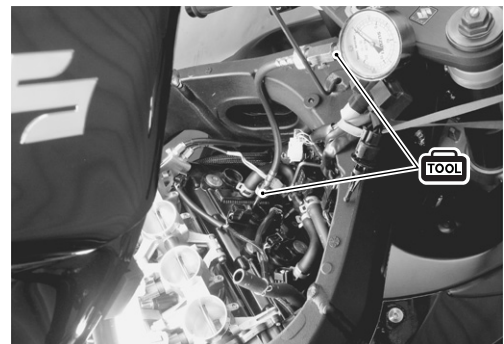
- \* Before testing the engine for compression pressure, make sure that the cylinder head nuts are tightened to the specified torque values and the valves are properly adjusted.
- \* Have the engine warmed up before testing.
- \* Make sure that the battery is fully-charged.

Remove the related parts and test the compression pressure in the following manner.

- Lift and support the fuel tank. (☞ 5-3)
- Remove all the spark plugs. (☞ 2-5)
- Install the compression gauge and adaptor in the spark plug hole. Make sure that the connection is tight.
- Keep the throttle grip in the fully opened position.
- Press the starter button and crank the engine for a few seconds. Record the maximum gauge reading as the cylinder compression.
- Repeat this procedure with the other cylinders.

 09915-64512: Compression gauge set

09913-10750: Adaptor





## OIL PRESSURE CHECK

Check the engine oil pressure periodically. This will give a good indication of the condition of the moving parts.

### OIL PRESSURE SPECIFICATION

**100 – 400 kPa (1.0 – 4.0 kgf/cm<sup>2</sup>, 14 – 57 psi) at 3 000 r/min, Oil temp. at 60 °C (140 °F)**

If the oil pressure is lower or higher than the specification, the following causes may be considered.

### LOW OIL PRESSURE

- \* Clogged oil filter
- \* Oil leakage from the oil passage
- \* Damaged O-ring
- \* Defective oil pump
- \* Combination of the above items


### HIGH OIL PRESSURE


- \* Engine oil viscosity is too high
- \* Clogged oil passage
- \* Combination of the above items

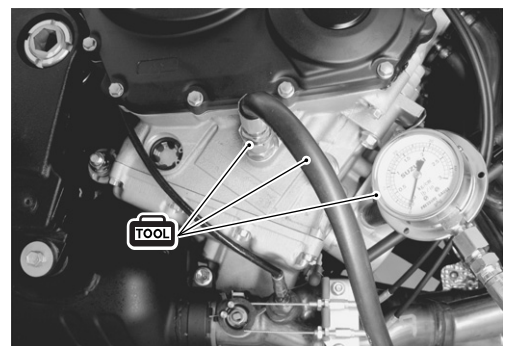
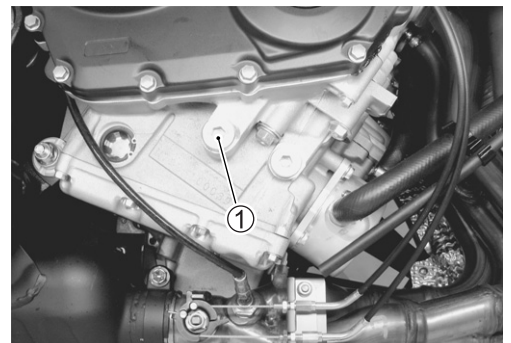
### OIL PRESSURE TEST PROCEDURE

Start the engine and check if the oil pressure indicator light is turned on. If the light stays on, check the oil pressure indicator light circuit. If the circuit is OK, check the oil pressure in the following manner.

- Remove the main oil gallery plug ①.
- Install the oil pressure gauge and adaptor into the main oil gallery.
- Warm up the engine as follows:  
 Summer : 10 min at 2 000 r/min  
 Winter : 20 min at 2 000 r/min
- After warming up, increase the engine speed to 3 000 r/min (observe the tachometer), and read the oil pressure gauge.

-  **09915-74521: Oil pressure gauge hose**
- 09915-74540: Oil pressure gauge attachment**
- 09915-77331: Meter (for high pressure)**

-  **Oil gallery plug (M16): 35 N·m (3.5 kgf-m, 25.5 lb-ft)**



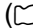



## SDS CHECK

Using SDS, take the sample of data from the new motorcycle and at the time of periodic maintenance at your dealership.

Save the data in the computer or by printing and filing the hard copies. The saved or filed data are useful for troubleshooting as they can be compared periodically with changes over time or failure conditions of the motorcycle.

For example, when a motorcycle is brought in for service but the troubleshooting is difficult, comparison with the normal data that have been saved or filed can allow the specific engine failure to be determined.

- Remove the front seat. (  8-7)
- Set up the SDS tool. (  4-26)



**09904-41010: SDS set tool**

**99565-01010-007: CD-ROM Ver. 7**

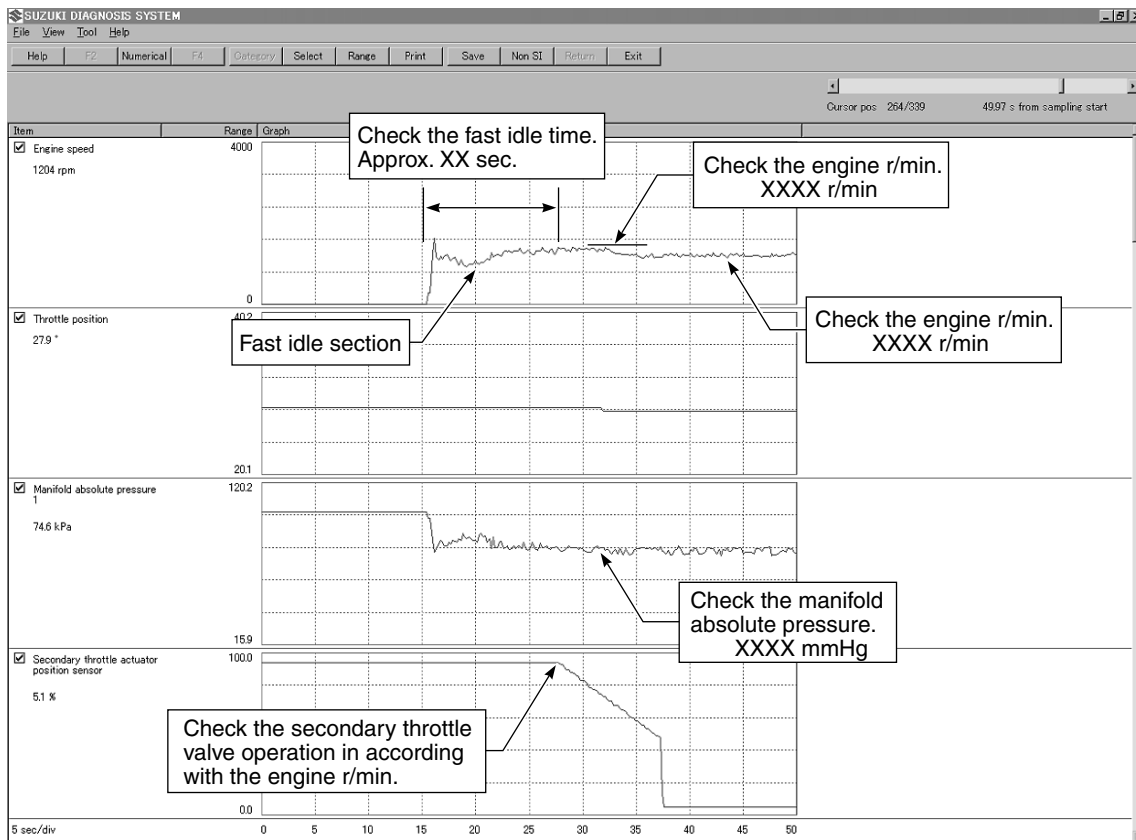
### NOTE:

\* Before taking the sample of data, check and clear the Past DTC. (  4- )

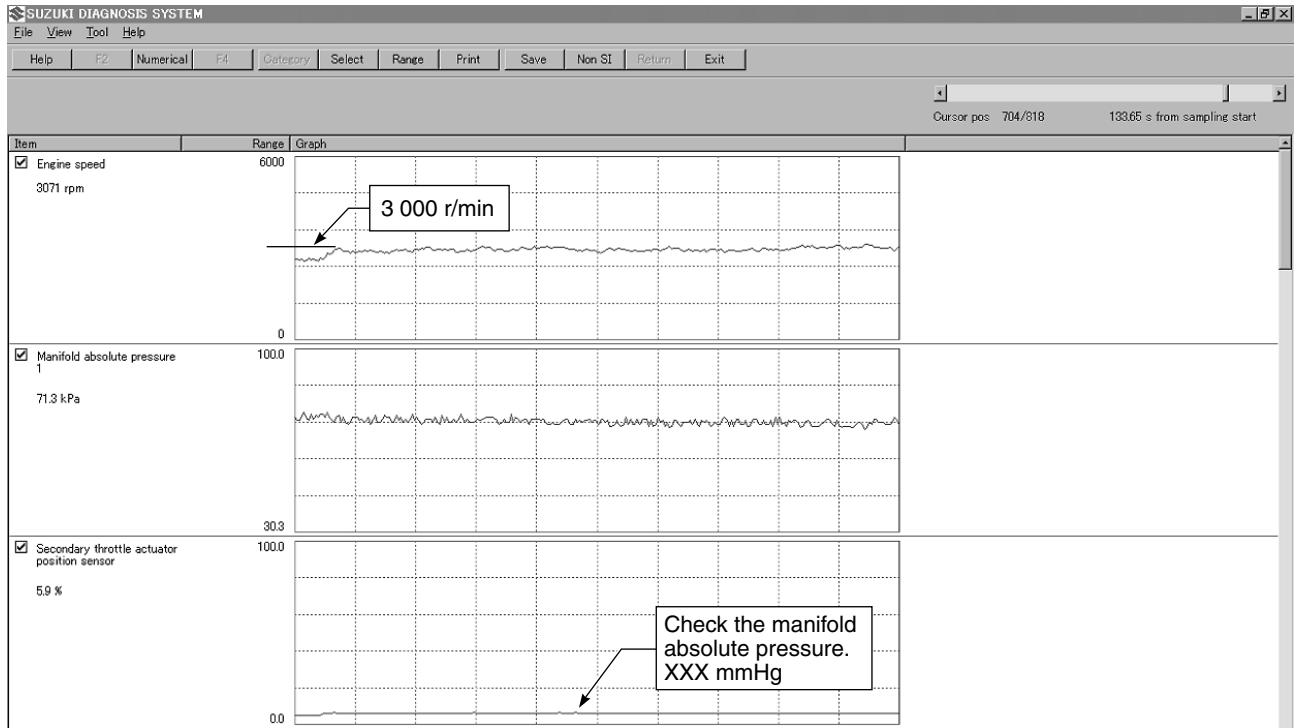
\* A number of different data under a fixed condition as shown below should be saved or filed as sample.

## SAMPLE:

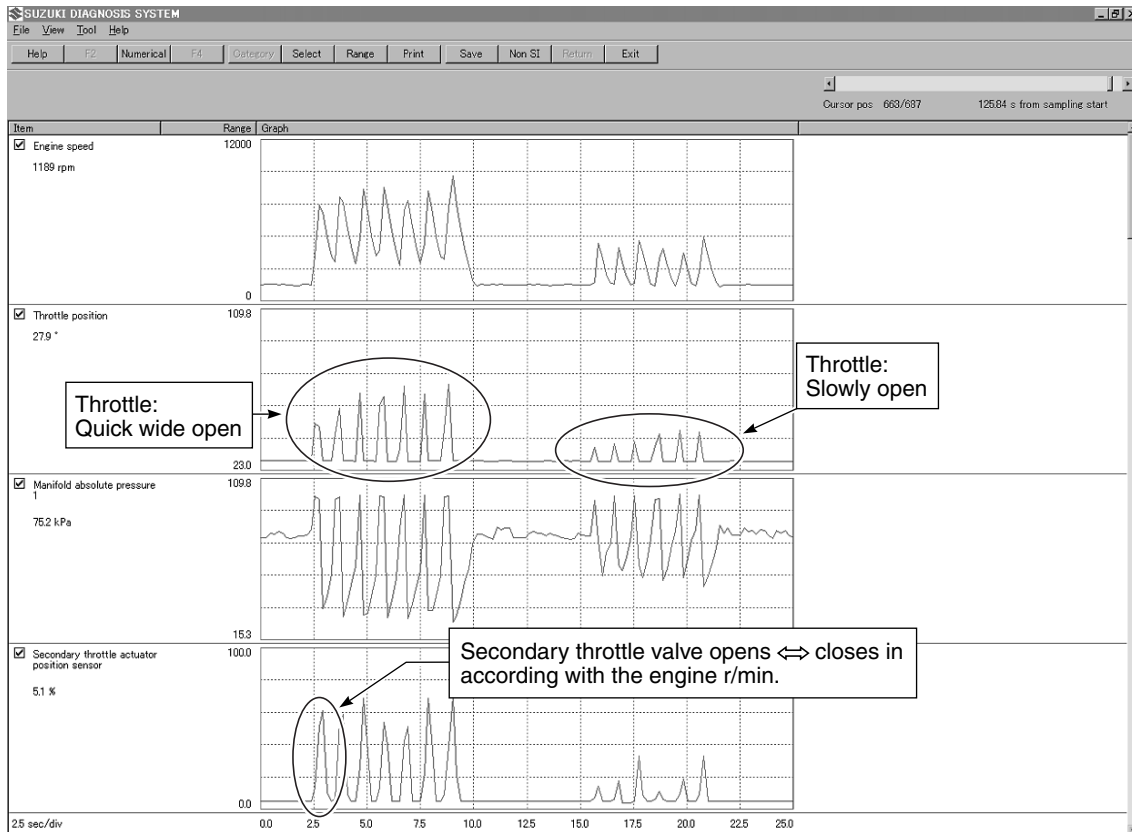
### Data sampled from cold starting through warm-up



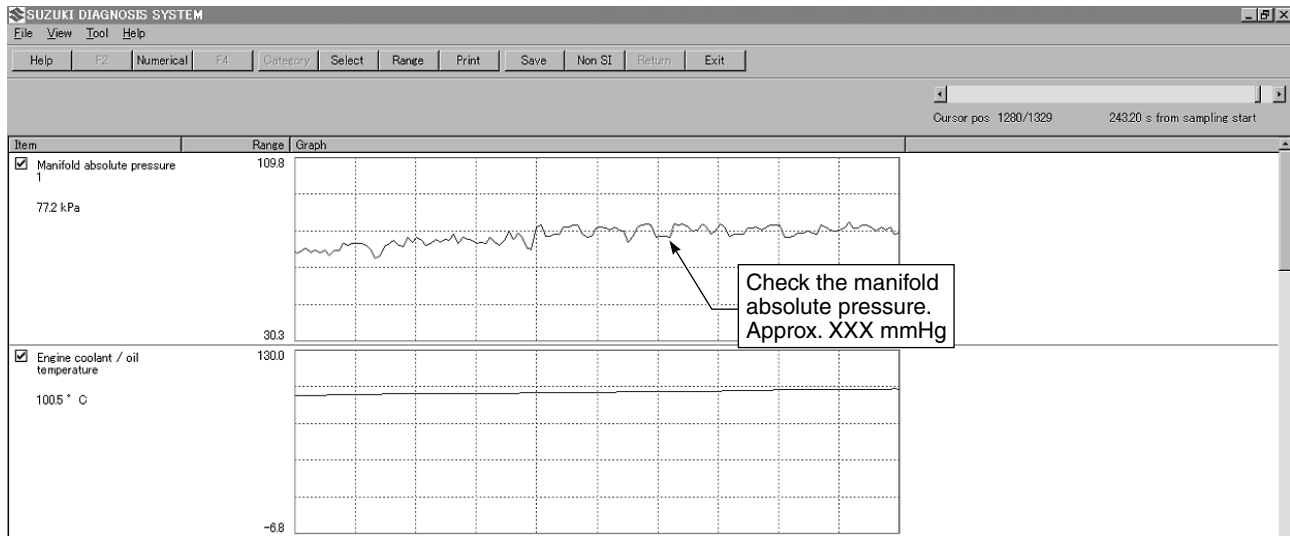
### Data at 3 000 r/min under no load



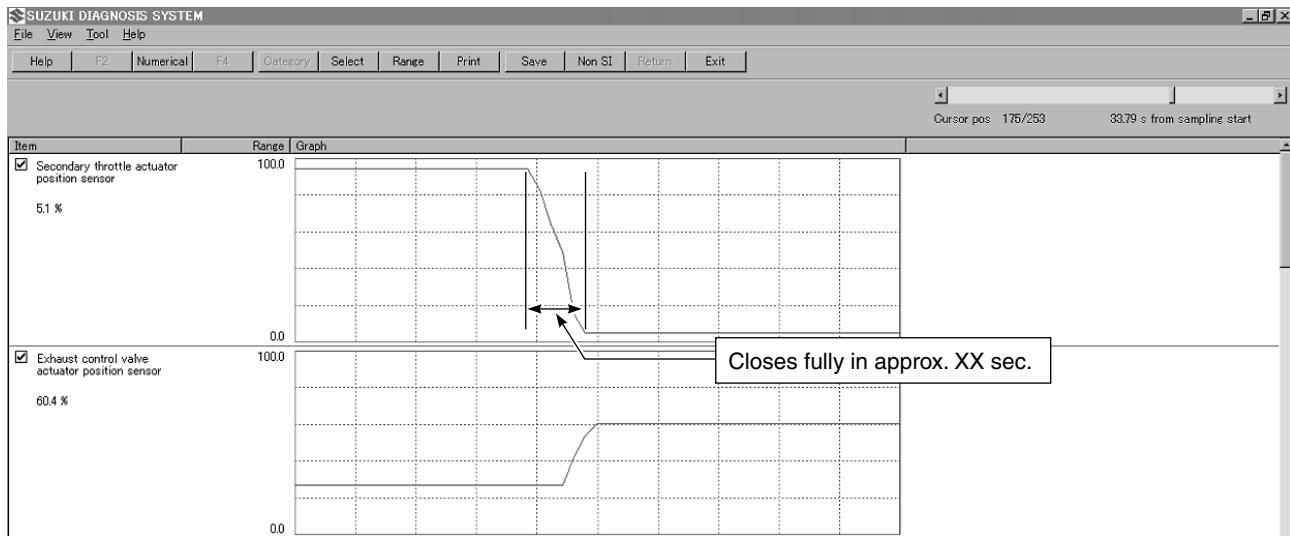
### Data at the time of racing



### Data of intake negative pressure during idling (100 °C)



### Data of secondary throttle valve operation at the time of starting



# ENGINE

















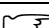
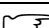
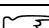
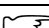

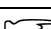

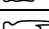
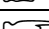
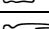

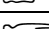
## CONTENTS

<b>ENGINE COMPONENTS REMOVABLE WITH ENGINE IN PLACE .....</b>	<b>3- 2</b>
<b>ENGINE REMOVAL AND INSTALLATION.....</b>	<b>3- 3</b>
<b>ENGINE REMOVAL .....</b>	<b>3- 3</b>
<b>ENGINE INSTALLATION .....</b>	<b>3-10</b>
<b>ENGINE DISASSEMBLY.....</b>	<b>3-14</b>
<b>ENGINE COMPONENTS INSPECTION AND SERVICE.....</b>	<b>3-26</b>
<b>CYLINDER HEAD COVER.....</b>	<b>3-26</b>
<b>CMP SENSOR.....</b>	<b>3-26</b>
<b>PAIR REED VALVE.....</b>	<b>3-26</b>
<b>CRANKCASE BREATHER REED VALVE .....</b>	<b>3-27</b>
<b>PCV HOSE.....</b>	<b>3-27</b>
<b>CAMSHAFT .....</b>	<b>3-28</b>
<b>CAM CHAIN TENSION ADJUSTER .....</b>	<b>3-30</b>
<b>CAM CHAIN TENSIONER.....</b>	<b>3-30</b>
<b>CAM CHAIN GUIDE .....</b>	<b>3-30</b>
<b>CYLINDER HEAD AND VALVE.....</b>	<b>3-30</b>
<b>CLUTCH .....</b>	<b>3-38</b>
<b>CLUTCH LIFTER.....</b>	<b>3-39</b>
<b>OIL PUMP.....</b>	<b>3-41</b>
<b>STARTER CLUTCH .....</b>	<b>3-41</b>
<b>GENERATOR .....</b>	<b>3-43</b>
<b>WATER PUMP.....</b>	<b>3-43</b>
<b>GEARSHIFT SYSTEM.....</b>	<b>3-43</b>
<b>OIL PRESSURE REGULATOR.....</b>	<b>3-44</b>
<b>OIL STRAINER.....</b>	<b>3-44</b>
<b>TRANSMISSION.....</b>	<b>3-45</b>
<b>CYLINDER.....</b>	<b>3-48</b>
<b>PISTON AND PISTON RING.....</b>	<b>3-49</b>
<b>CRANKCASE .....</b>	<b>3-51</b>
<b>CRANKSHAFT AND CONROD .....</b>	<b>3-61</b>
<b>CRANKSHAFT JOURNAL BEARING .....</b>	<b>3-65</b>
<b>CRANKSHAFT THRUST BEARING.....</b>	<b>3-68</b>
<b>ENGINE REASSEMBLY.....</b>	<b>3-70</b>






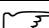
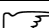



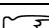
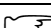
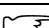
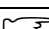
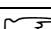
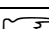
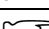
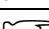
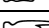
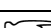
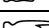
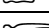
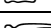
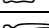
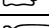
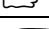
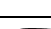
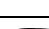
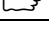
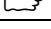
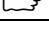
## ENGINE COMPONENTS REMOVABLE WITH ENGINE IN PLACE

The parts listed below can be removed and reinstalled without removing the engine from the frame. Refer to page listed in each section for removal and reinstallation instructions.








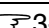
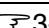
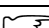
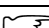
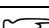
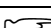
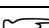
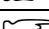
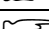
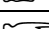

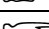
### ENGINE CENTER

ITEM	REMOVAL	INSPECTION	INSTALLATION
PAIR control solenoid valve	 11-7	 11-7	 11-7
Starter motor	 3-14	 9-14	 3-98
Breather cover	 3-22	—	 3-79
Thermostat	 7-9	 7-9	 7-10
Cylinder head cover	 3-14	—	 3-97
Camshaft	 3-14	 3-28	 3-91
Intake pipe	 3-37	—	 3-38
Oil filter	 3-22	—	 3-79
Oil cooler	 3-23	 7-17	 3-78
Oil pan	 3-23	—	 3-78
Oil pump	 3-23	 3-41	 3-77

### ENGINE RIGHT SIDE

ITEM	REMOVAL	INSPECTION	INSTALLATION
Exhaust pipe and muffler	 3-5	—	 3-12
Cam chain tension adjuster	 3-15	 3-30	 3-94
Clutch cover	 3-16	—	 3-89
Clutch (plates)	 3-17	 3-38	 3-87
Clutch lifter	 3-18	 3-39	 3-85
Primary driven gear	 3-18	 3-39	 3-85
Oil pump drive sprocket	 3-19	—	 3-84
Gearshift shaft	 3-19	 3-43	 3-83
CKP sensor	 3-16	 4-35	 3-89
Oil pump driven gear	 3-41	—	—
Cam chain tensioner	 3-20	 3-30	 3-81
Cam chain guide	 3-20	 3-30	 3-81

### ENGINE LEFT SIDE

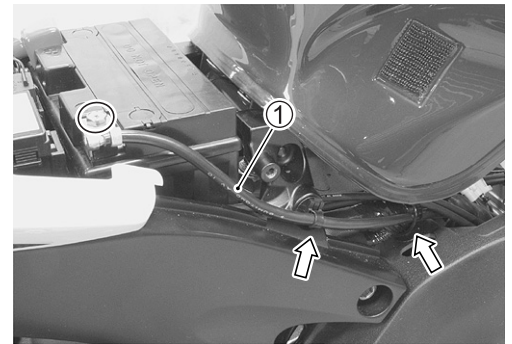
ITEM	REMOVAL	INSPECTION	INSTALLATION
Engine sprocket	 3-7, 8	—	 3-12
Gear position switch	 3-22	 4-75	 3-79
Starter idle gear cover	 3-19	—	 3-83
Starter idle gear	 3-19, 20	—	 3-82, 83
Generator cover	 3-20	—	 3-82
Starter clutch	 3-21	 3-41	 3-81
Generator rotor	 3-21	—	 3-81
Water pump	 3-21	 7-13	 3-80

## ENGINE REMOVAL AND INSTALLATION

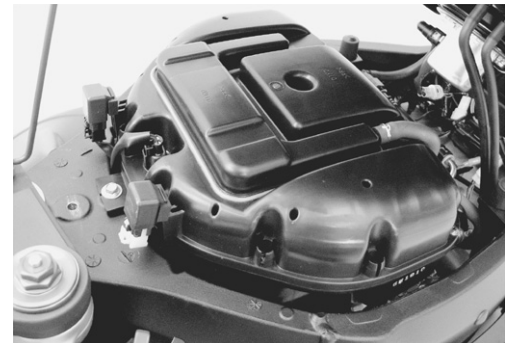
### ENGINE REMOVAL

Before taking the engine out of the frame, wash the engine using a steam cleaner. Engine removal is sequentially explained in the following steps. Reinstall the engine by reversing the removal procedure.

- Remove the under cowlings. (👉 8-5)
- Lift and support the fuel tank. (👉 5-3)
- Drain engine oil. (👉 2-12)
- Drain engine coolant. (👉 2-17)
  
- Disconnect the battery ⊖ lead wire ①.



- Remove the air cleaner box. (👉 5-14)

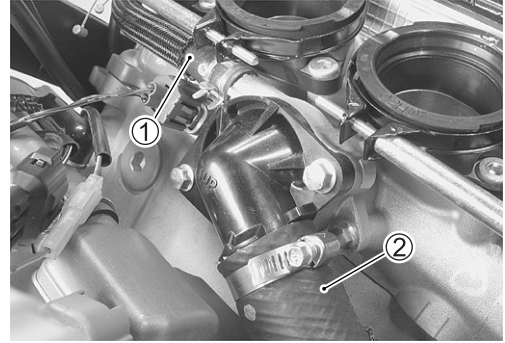


- Remove the throttle body assembly. (👉 5-15)

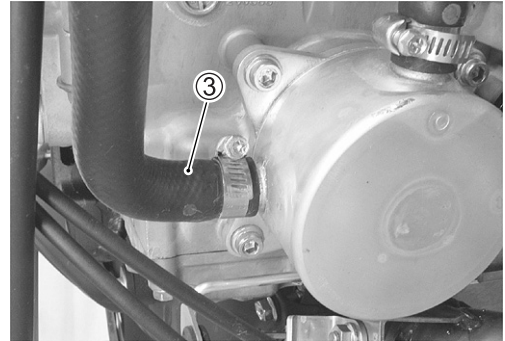


## RADIATOR

- Disconnect the by-pass hose ① and radiator inlet hose ②.



- Disconnect the oil cooler outlet hose ③.



- Disconnect the cooling fan coupler ④.



- Remove the radiator mounting bolts.
- Remove the radiator ⑤.



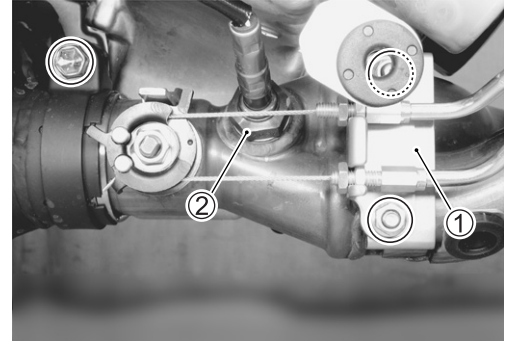
### CAUTION

Be careful not to bent the radiator fins.

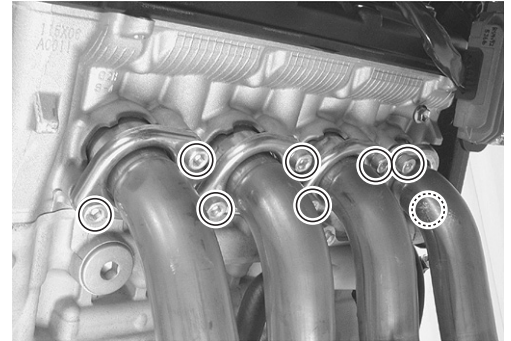


**EXHAUST PIPE AND MUFFLER**

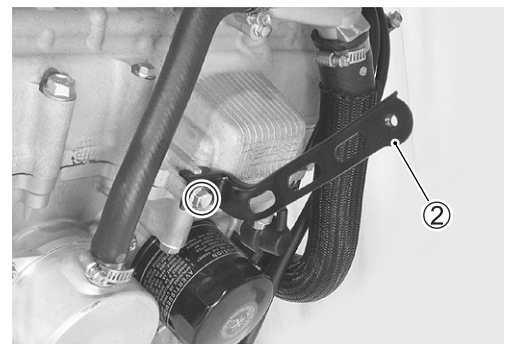
- Remove the EXCV cables along with the bracket ①.
- Loosen the muffler connecting bolt.
- Remove the HO2 sensor ② (For E-02, 19). (👉 6-10)



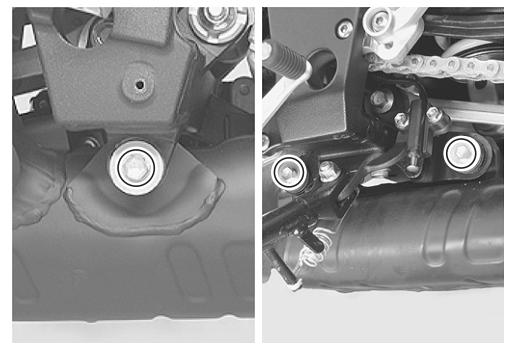
- Remove the exhaust pipe bolts.
- Remove the exhaust pipe.
- Remove the exhaust pipe gaskets.



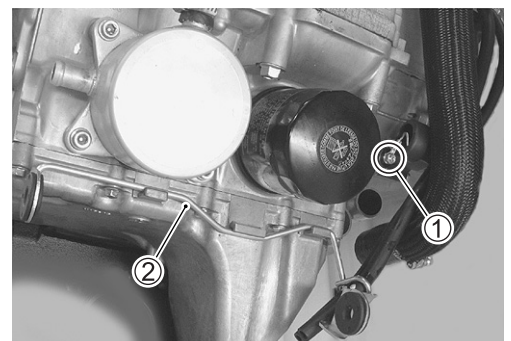
- Remove the radiator mounting bracket ②.



- Remove the muffler body. (👉 6-11)

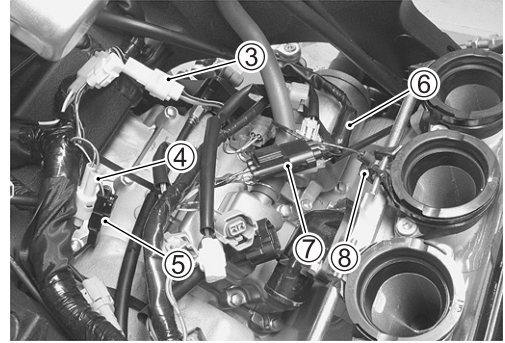
**ELECTRIC PARTS AND PAIR HOSE**

- Disconnect the oil pressure switch lead wire ①.
- Remove the under cowling lower bracket ②.





- Disconnect the following couplers.
  - ③ GP switch lead wire
  - ④ CKP sensor lead wire
  - ⑤ Ground lead wire
  - ⑥ Starter motor lead wire
  - ⑦ Speed sensor lead wire
  - ⑧ ECT sensor lead wire

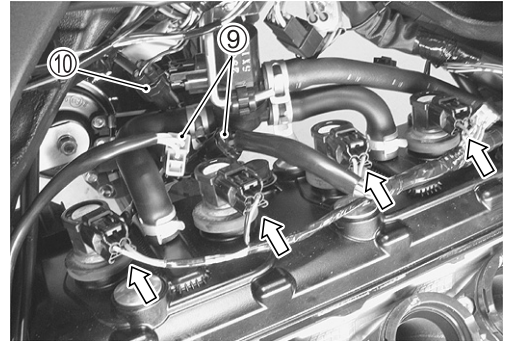


- Disconnect the ignition coil/plug cap lead wire couplers.

**CAUTION**

**Do not remove the ignition coil/plug cap before disconnecting its coupler.**

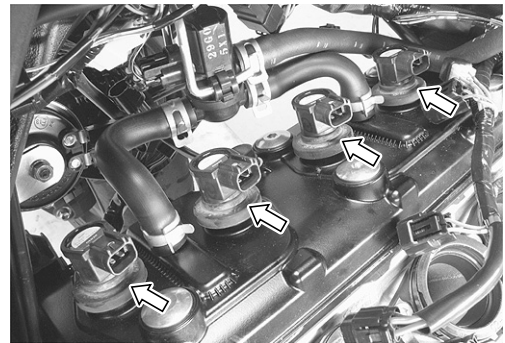
- Disconnect the CMP sensor lead wire coupler ⑨ and regulator/rectifier couplers ⑩.



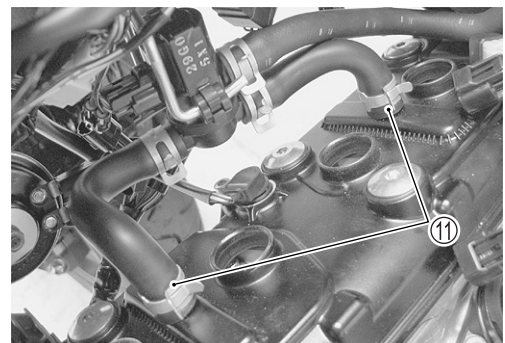
- Remove the ignition coils/plug caps.

**CAUTION**

\* Do not pry up the ignition coil/plug cap with a screw driver or a bar to avoid its damage.  
 \* Be careful not to drop the ignition coil/plug cap to prevent its short or open circuit.



- Disconnect the PAIR hoses ⑪.

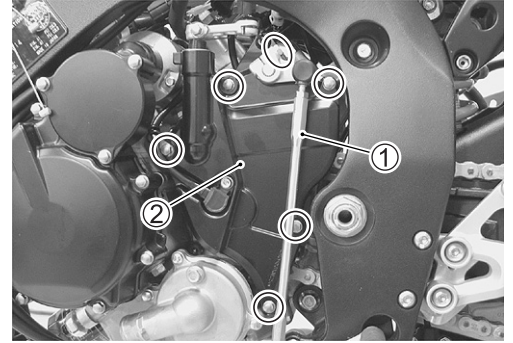


- Disconnect the horn coupler ⑫.
- Remove the horn and regulator/rectifier along with their bracket.
- Remove the front engine cover ⑬.

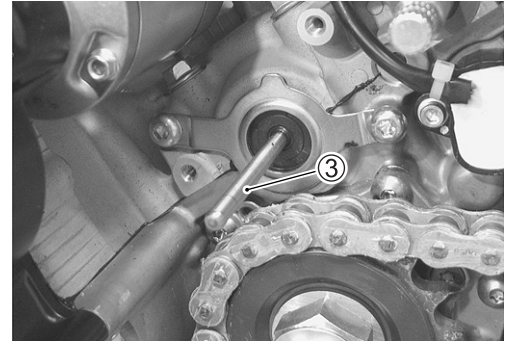


**ENGINE SPROCKET AND GEARSHIFT LEVER**

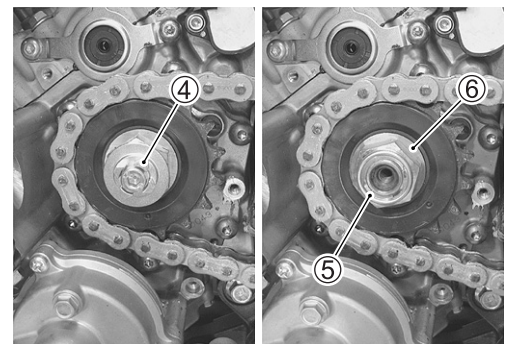
- Disengage the gearshift lever ①.
- Remove the engine sprocket cover ②.



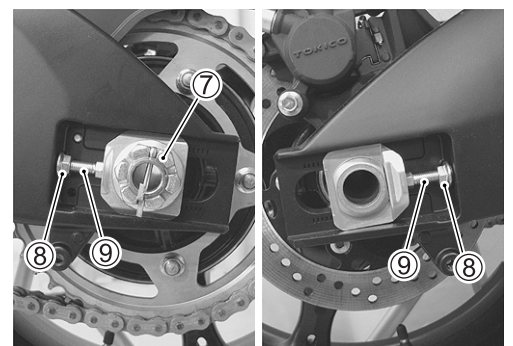
- Remove the clutch push rod ③.



- Remove the speed sensor rotor ④.
- Remove the engine sprocket nut ⑤ and the washer ⑥.



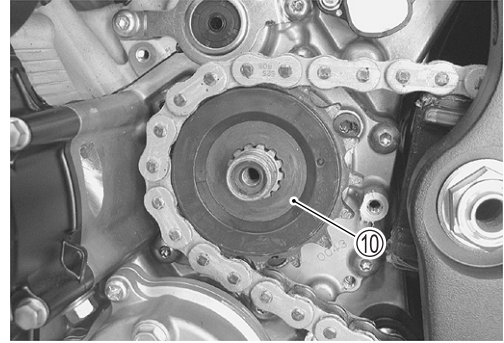
- Remove the cotter pin. (For E-03, 28, 33)
- Loosen the rear axle nut ⑦.
- Loosen the chain adjuster lock-nuts ⑧.
- Loosen the chain adjusters ⑨.



- Push the rear wheel forward and make sure that the drive chain has enough slack.
- Disengage the drive chain from the rear sprocket.

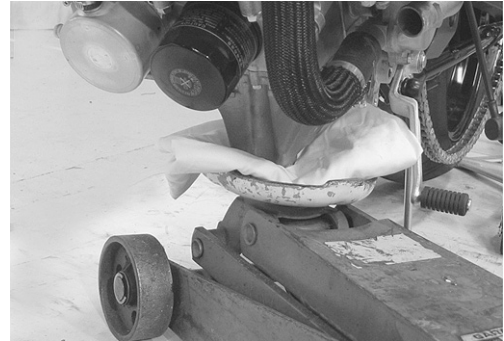


- Remove the engine sprocket ⑩.

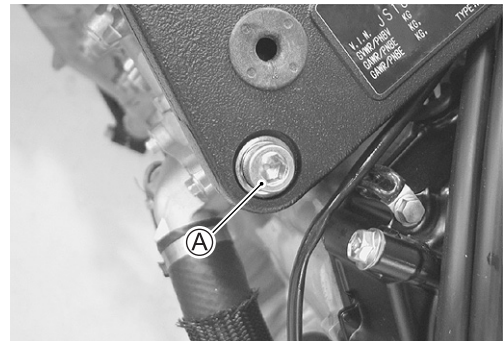


### ENGINE MOUNTING

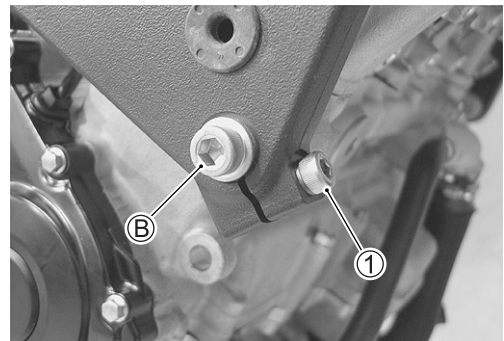
- Support the engine using an engine jack.



- Remove the engine mounting bolt ①.



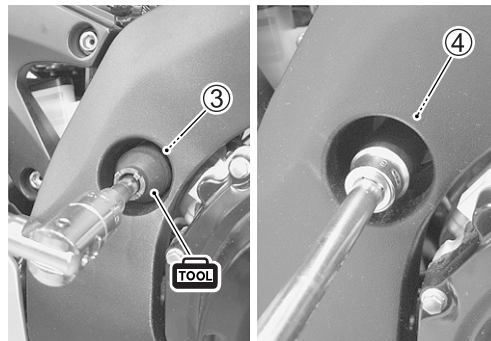
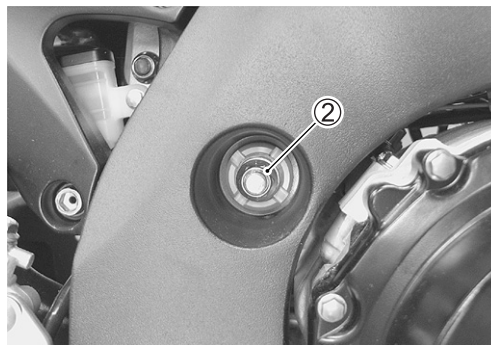
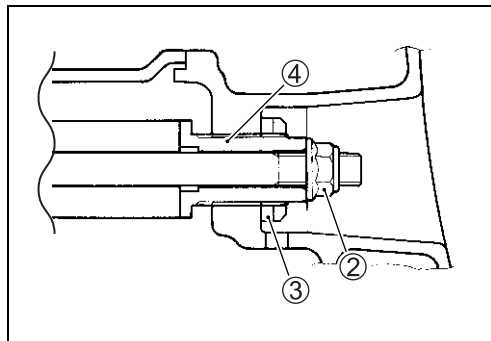
- Loosen the engine mounting pinch bolt ①.
- Remove the engine mounting bolt ②.





- Remove the engine mounting nut ②.
- Remove the engine mounting thrust adjuster lock-nut ③ with the special tool.
- Loosen the engine mounting thrust adjuster ④ fully.

**TOOL** 09940-14980: Engine mounting thrust adjuster socket wrench

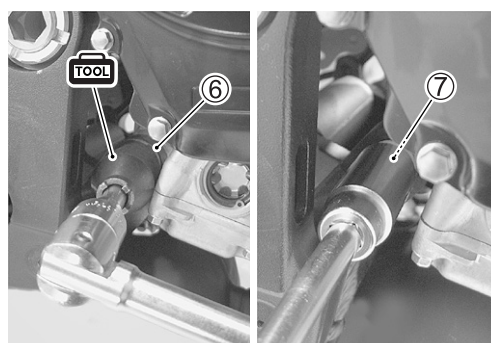
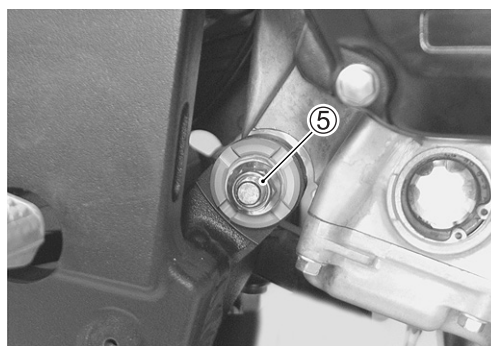
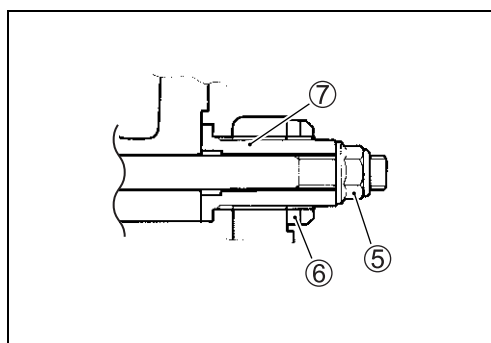


- Remove the engine mounting nut ⑤.
- Loosen the engine mounting thrust adjuster lock-nut ⑥ with the special tool.
- Loosen the engine mounting thrust adjuster ⑦ fully.

**TOOL** 09940-14980: Engine mounting thrust adjuster socket wrench

**NOTE:**

*Do not remove the engine mounting bolts at this stage.*



- Remove the engine mounting bolts and gradually lower the front side of the engine. Then, take off the drive chain from the driveshaft.
- Remove the engine assembly.

## ENGINE INSTALLATION

Install the engine in the reverse order of engine removal.

Pay attention to the following points:

### NOTE:


*Be careful not to damage the frame and engine when installing the engine.*


- Before installing the engine, install the engine mounting thrust adjusters ① and ②.
- Gradually raise the rear side of the engine assembly, and then put the drive chain on the driveshaft.
- Install all engine mounting bolts and tighten them temporarily. (☞ 3-11)

### CAUTION


**Be careful not to catch the wiring harness between the frame and the engine.**


- Tighten the engine mounting thrust adjusters to the specified torque.

 **09940-14980: Engine mounting thrust adjuster socket wrench**

 **Engine mounting thrust adjuster:**  
**23 N·m (2.3 kgf-m, 16.5 lb-ft)**

- Tighten the engine mounting thrust adjuster lock-nuts to the specified torque with the special tool.

 **09940-14980: Engine mounting thrust adjuster socket wrench**

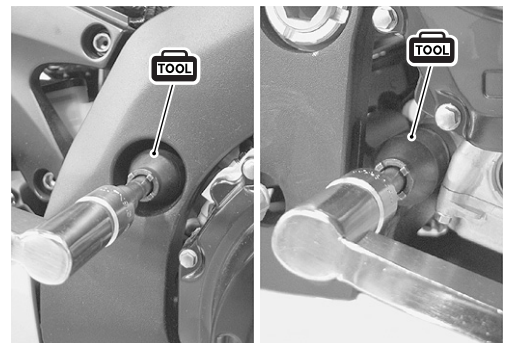
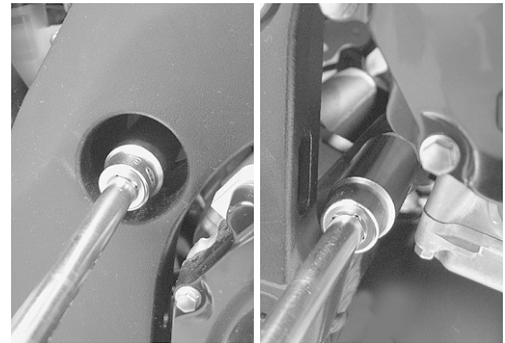
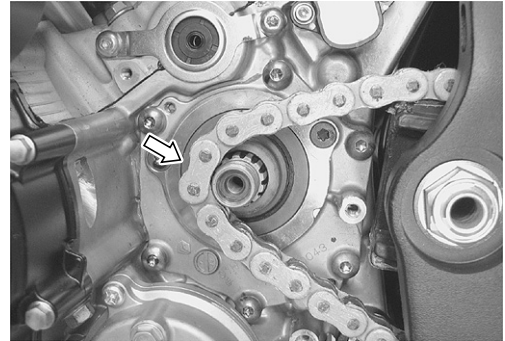
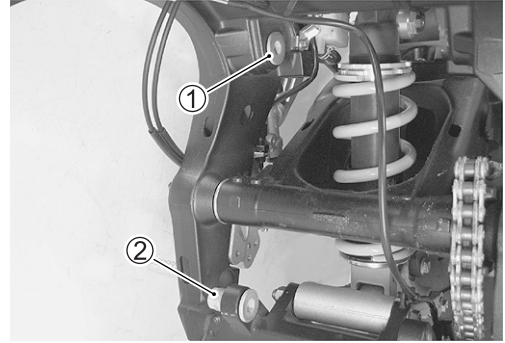
 **Engine mounting thrust adjuster lock-nut:**  
**45 N·m (4.5 kgf-m, 32.5 lb-ft)**

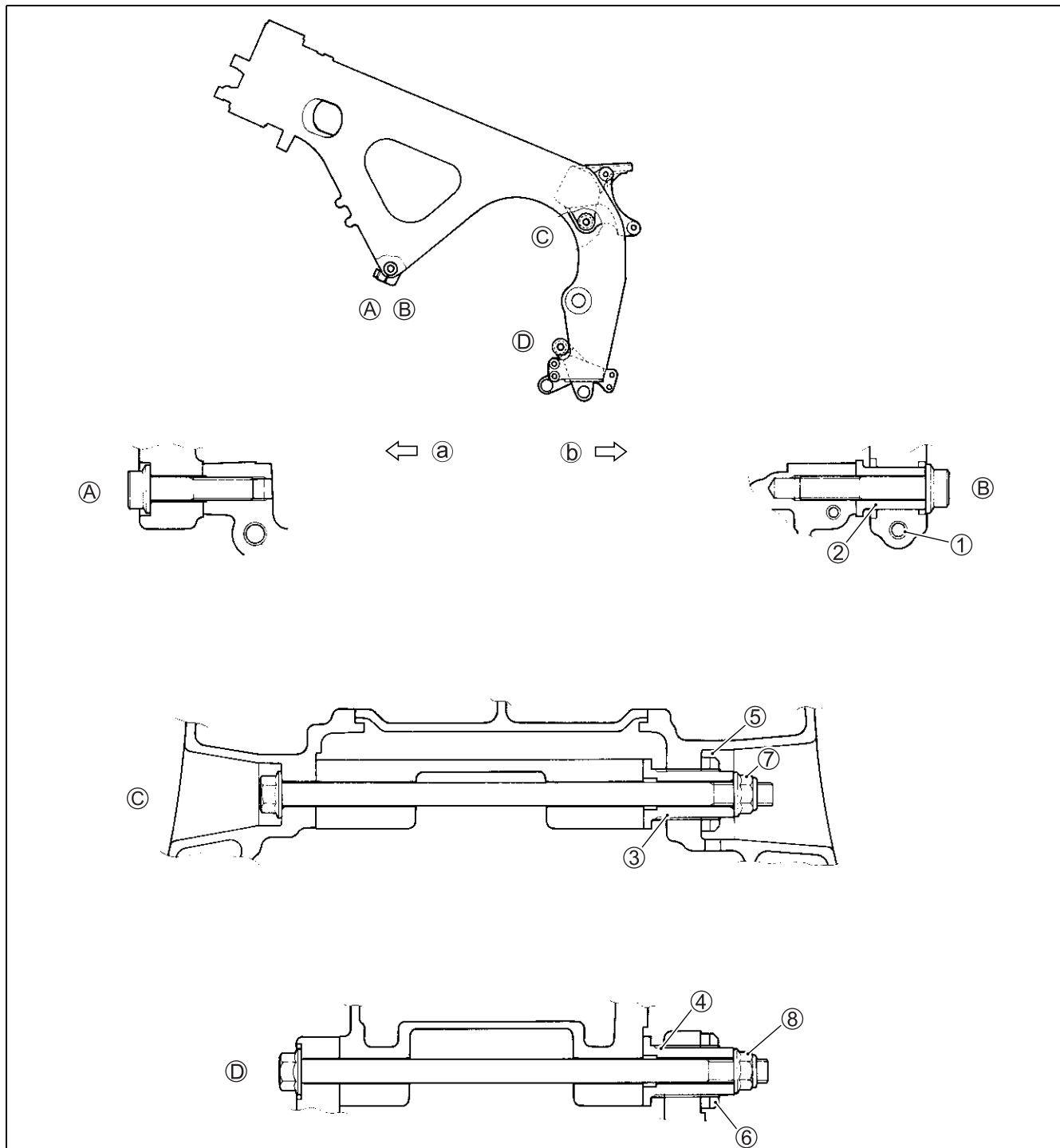
- Tighten all engine mounting bolts and nuts to the specified torque. (☞ 3-11)

### NOTE:

*The engine mounting nuts are self-locking. Once the nuts have been removed, they are no longer of any use.*

- Tighten the engine mounting pinch bolts to the specified torque. (☞ 3-11)





ITEM	N·m	kgf·m	lb·ft
Ⓐ Ⓑ	55	5.5	40.0
①	23	2.3	16.5
③ ④	23	2.3	16.5
⑤ ⑥	45	4.5	32.5
⑦ ⑧	75	7.5	54.0

**LENGTH**


ITEM		mm	in
Bolt	Ⓐ	45	1.77
	Ⓑ	55	2.17
	Ⓒ	215	8.46
	Ⓓ	205	8.07
Spacer	②	30.5	1.20
Adjuster	③ ④	40	1.57

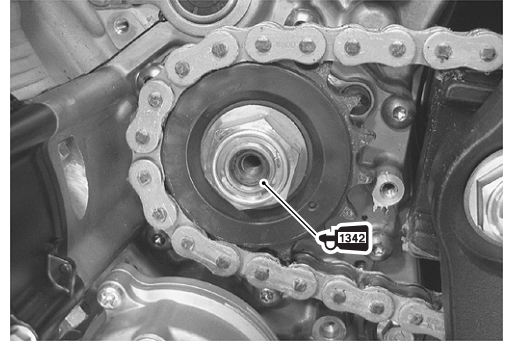
Ⓐ Left    Ⓑ Right

- Install the engine sprocket and the washer.
- Apply a small quantity of THREAD LOCK to the driveshaft thread portion.


 **99000-32050: THREAD LOCK “1342”**

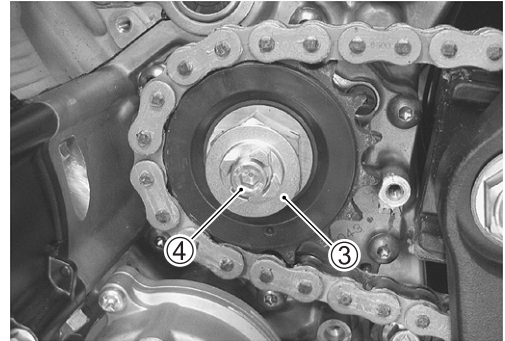
- Tighten the engine sprocket nut to the specified torque.

 **Engine sprocket nut: 115 N·m (11.5 kgf-m, 83.0 lb-ft)**




- Install the speed sensor rotor ③.
- Tighten the speed sensor rotor bolt ④ to the specified torque.

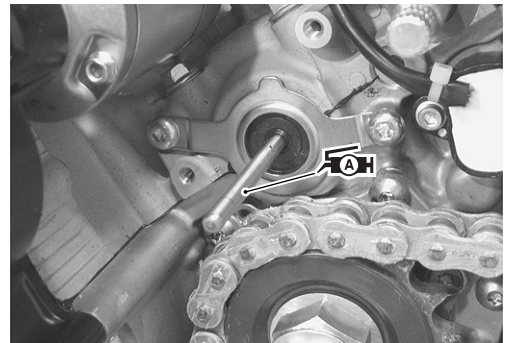
 **Speed sensor rotor bolt: 25 N·m (2.5 kgf-m, 18.0 lb-ft)**



- Apply SUZUKI SUPER GREASE “A” to the clutch push rod end.

 **99000-25010: SUZUKI SUPER GREASE “A”  
(or equivalent grease)**

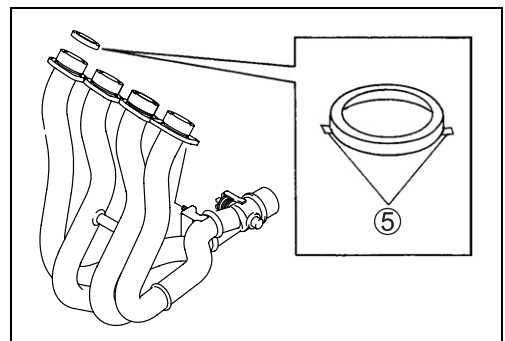
- Install the engine sprocket cover.



- Replace the exhaust pipe gaskets and muffler connector with new ones.

**NOTE:**

Be sure to face the tabs **A** on the exhaust pipe gaskets **5** to the exhaust pipe side when installing them.



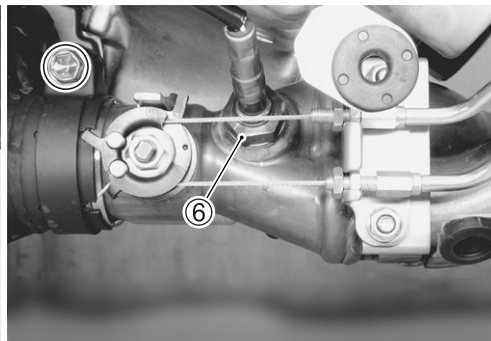
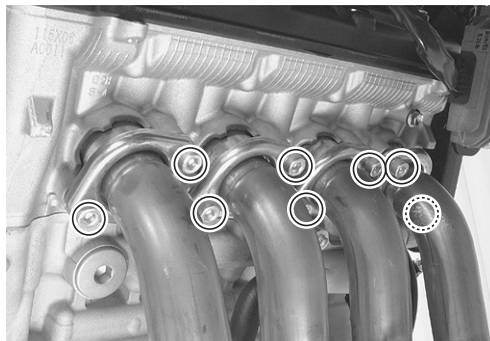
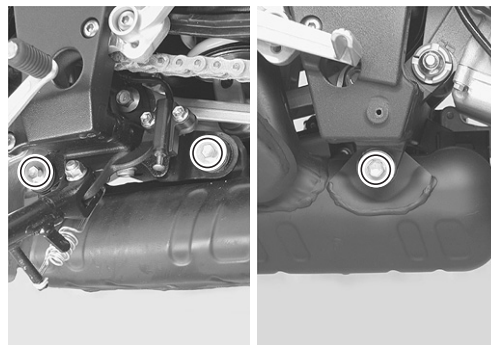


- Tighten the muffler mounting bolts, exhaust pipe bolts and muffler connecting bolt to the specified torque.

**🔧 Muffler mounting bolt: 23 N·m (2.3 kgf-m, 16.5 lb-ft)**  
**Muffler connecting bolt: 23 N·m (2.3 kgf-m, 16.5 lb-ft)**  
**Exhaust pipe bolt: 23 N·m (2.3 kgf-m, 16.5 lb-ft)**

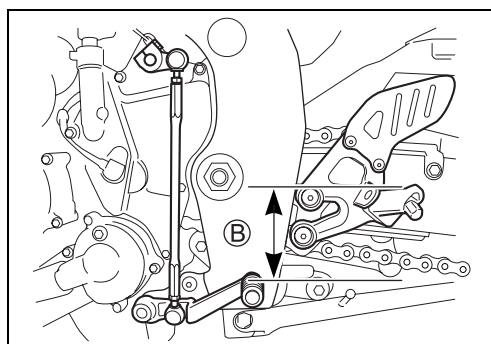
- Install the HO2 sensor ⑥. (For E-02, 19)

**🔧 HO2 sensor: 48 N·m (4.8 kgf-m, 34.5 lb-ft)**



- Install the gearshift lever and adjust the lever height ⑧.

**DATA Gearshift lever height ⑧**  
**Standard: 65 – 75 mm (2.56 – 2.95 in)**



- Perform service and adjustment in the following items.

- \* Engine oil (🔧 2-12)
- \* Engine coolant (🔧 2-17)
- \* Throttle cable play (🔧 2-15)
- \* Clutch (🔧 2-16)
- \* Idling adjustment (🔧 2-14)
- \* Throttle valve synchronization (🔧 5-26)
- \* EXCV cable adjustment (🔧 6-8)
- \* Drive chain slack (🔧 2-21)
- \* Wiring harness, cables and hoses (🔧 10-17 to -24)



## ENGINE DISASSEMBLY

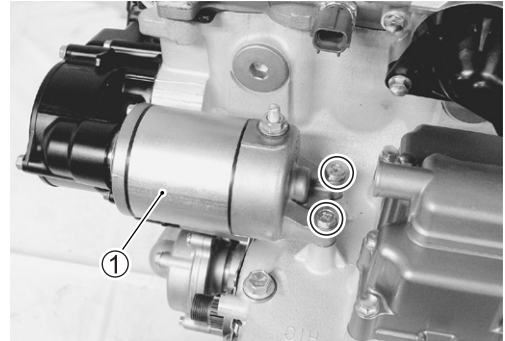
### CAUTION

Identify the position of each removed part. Organize the parts in their respective groups (e.g., intake, exhaust) so that they can be reinstalled in their original positions.

- Remove the spark plugs. (☞ 2-5)

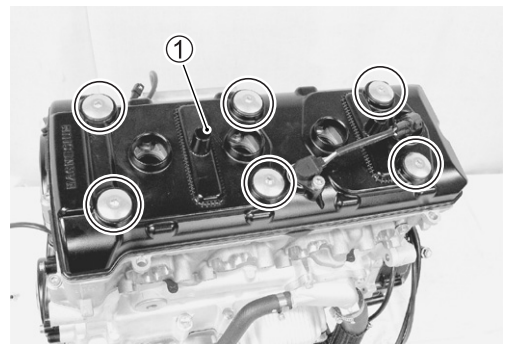
### STARTER MOTOR

- Remove the starter motor ①.

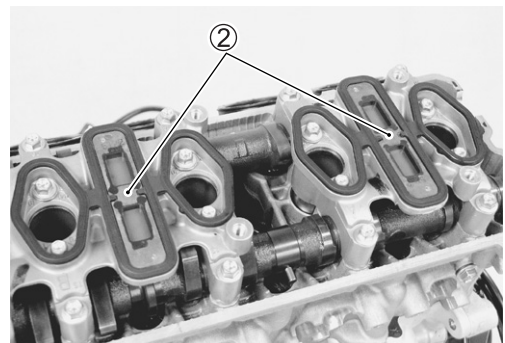


### CYLINDER HEAD COVER

- Remove the cylinder head cover ① and its gaskets.



- Remove the PAIR reed valves ② with their gaskets.

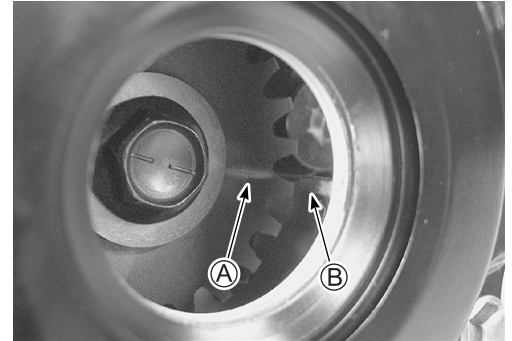
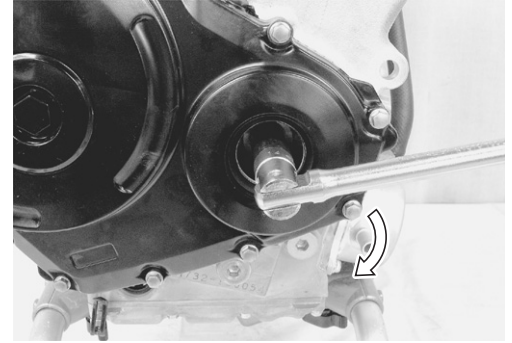
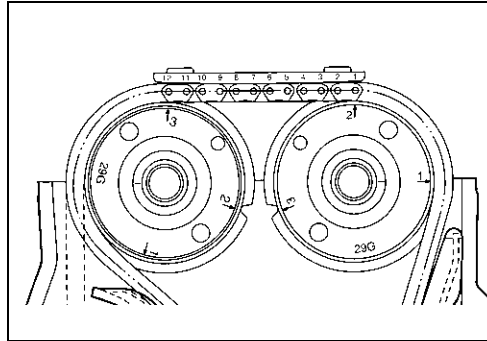


### CAMSHAFT

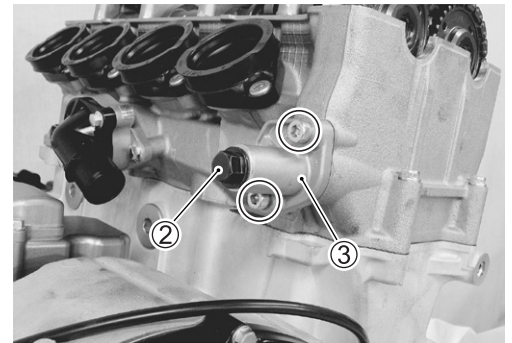
- Remove the valve timing inspection cap ①.



- Turn the crankshaft to bring the line (A) on the CKP sensor rotor to the rib (B) behind the clutch cover and also to bring the cams to the position as shown.



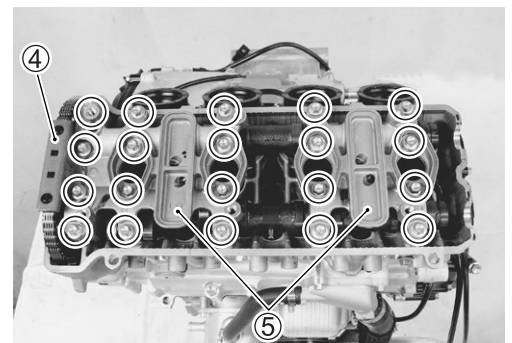
- Remove the cam chain tension adjuster cap bolt (2) and spring.
- Remove the cam chain tension adjuster (3).



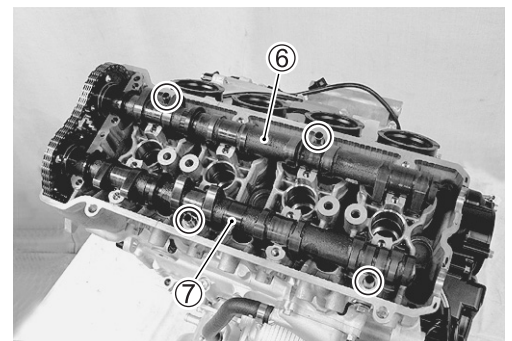
- Remove the cam chain guide No. 2 (4).
- Remove the camshaft journal holders (5).

#### CAUTION

**Be sure to loosen the camshaft journal holder bolts evenly by shifting the wrench in the descending order of numbers.**



- Remove the intake camshaft (6).
- Remove the exhaust camshaft (7).
- Remove the dowel pins.



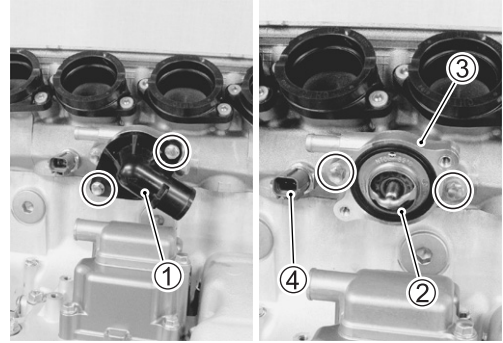
**CYLINDER HEAD**

- Remove the thermostat cover ①.
- Remove the thermostat ② and thermostat conector ③.

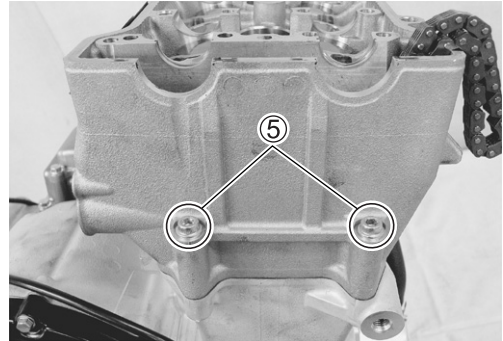
**THERMOSTAT INSPECTION** (👉 7-9)

- Remove the ECT sensor ④.

**ECT SENSOR INSPECTION** (👉 7-7)



- Remove the cylinder head bolts (M6) ⑤.

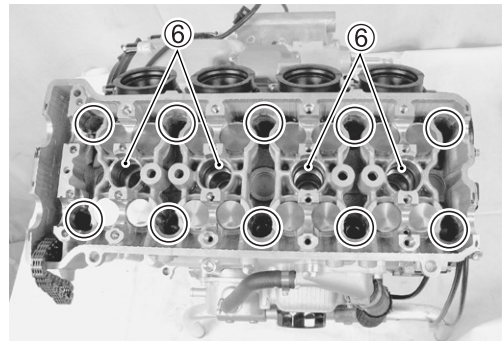


- Remove the O-rings ⑥.
- Remove the cylinder head bolts and washers.

**NOTE:**

*When loosening the cylinder head bolts, loosen each bolt little by little diagonally.*

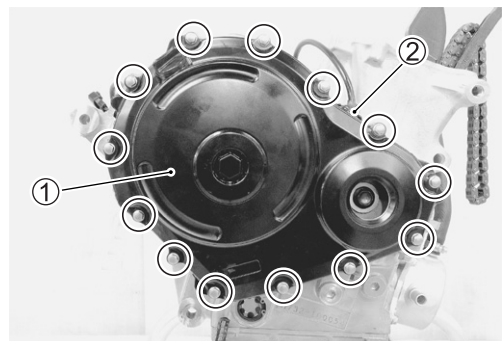
- Remove the cylinder head.
- Remove the dowel pins and gasket.



**CLUTCH**

- Remove the clutch cover ① along with the CKP sensor ②.
- Remove the dowel pins and gasket.

**CKP SENSOR INSPECTION** (👉 4-35)



- Hold the clutch housing with the special tool.

**CAUTION**

**Do not damage the clutch plates by the special tool.**

**TOOL 09920-53740: Clutch sleeve hub holder**

- Remove the clutch springs.

**NOTE:**

*Loosen the clutch spring set bolts little by little and diagonally.*

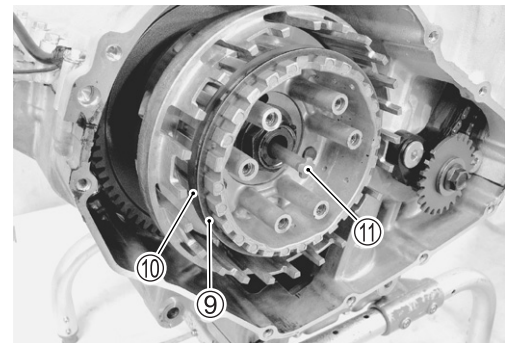
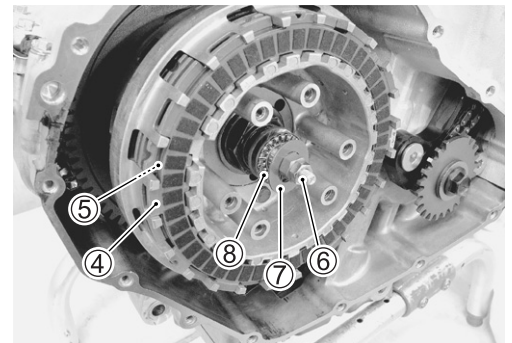
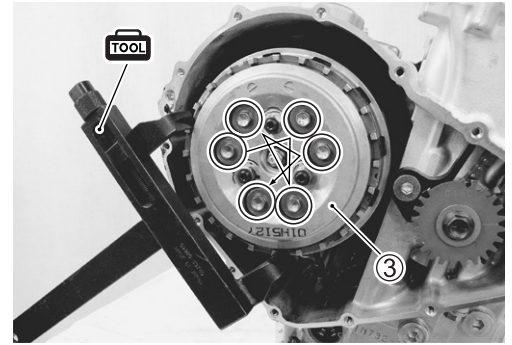
- Remove the pressure plate ③.
- Remove the clutch drive plates ④ and driven plates ⑤.
- Remove the clutch push piece ⑥, thrust washer ⑦ and bearing ⑧.

- Remove the spring washer ⑨ and its seat ⑩.
- Remove the clutch push rod ⑪.

**NOTE:**

*If it is difficult to pull out the push rod ⑫, use a magnetic hand or a wire.*

- Unlock the clutch sleeve hub nut.

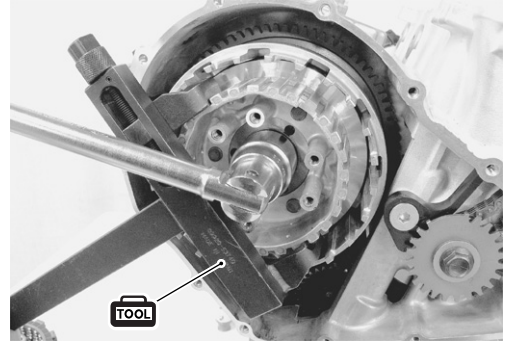




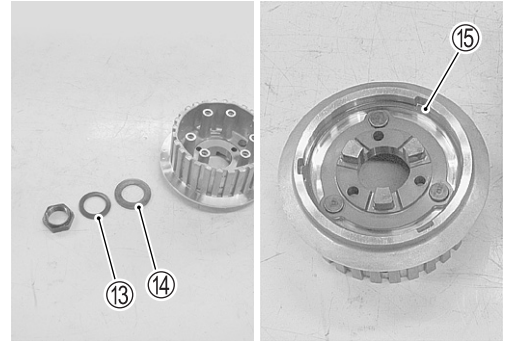
- Hold the clutch sleeve hub with the special tool.

 **09920-53740: Clutch sleeve hub holder**

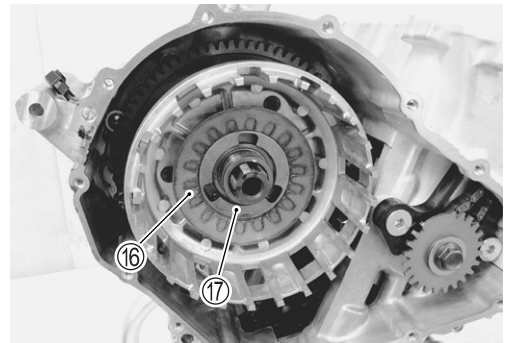
- Remove the clutch sleeve hub nut.



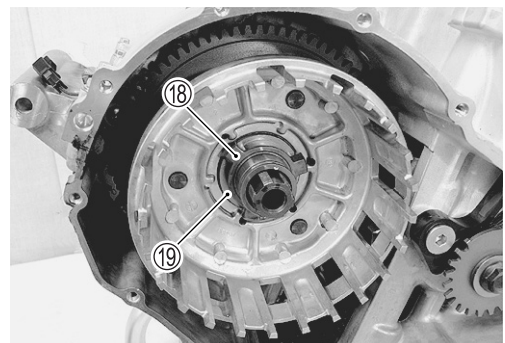
- Remove the washers ⑬, ⑭ and ⑮ from the clutch sleeve hub.



- Remove the wave spring washers ⑯ and clutch lifter driven cam ⑰.



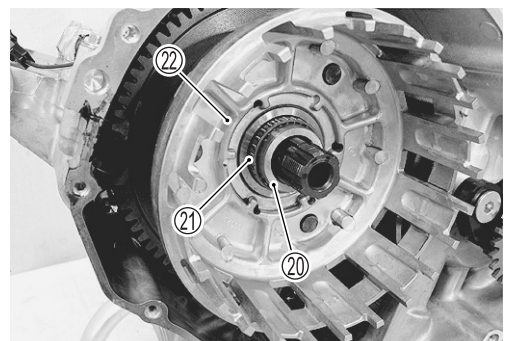
- Remove the clutch lifter drive cam ⑱ and washer ⑲.



- Remove the spacer ⑳ and bearing ㉑.
- Remove the primary driven gear assembly ㉒.

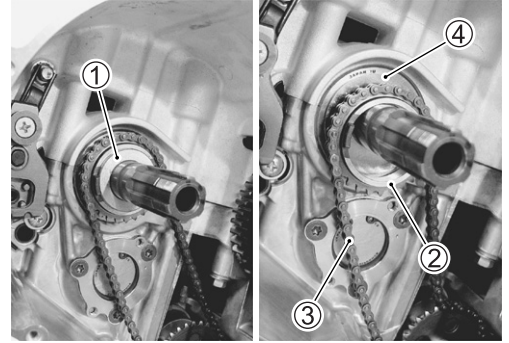
**NOTE:**

*If it is difficult to remove the primary driven gear, rotate the crankshaft.*

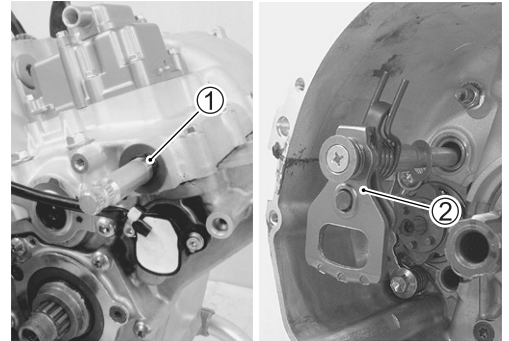


**OIL PUMP DRIVE SPROCKET**

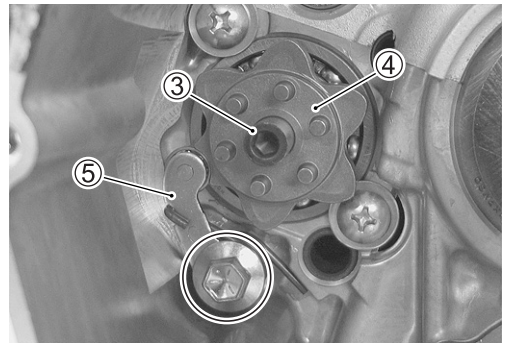
- Remove the spacer ①.
- Remove the oil pump drive sprocket ② and chain ③.
- Remove the thrust washer ④.

**GEARSHIFT SYSTEM**

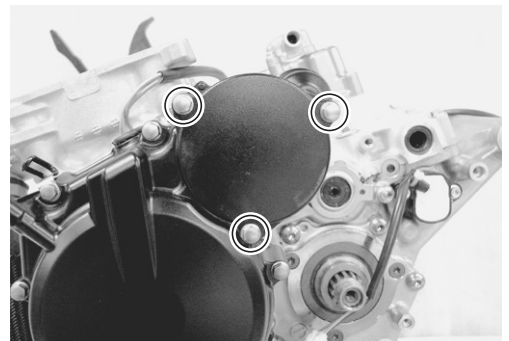
- With the snap ring ① and washer removed, remove the gearshift shaft assembly ②.



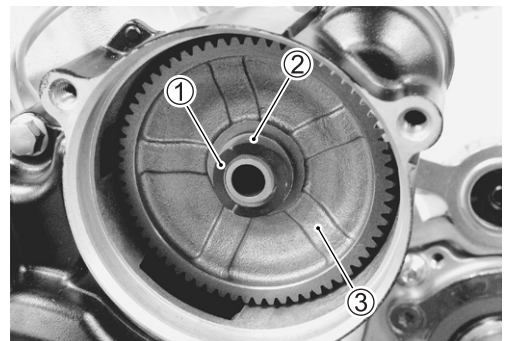
- Remove the gearshift cam plate bolt ③ and gearshift cam plate ④.
- Remove the gearshift cam stopper ⑤.

**STARTER IDLE GEAR AND GENERATOR COVER**

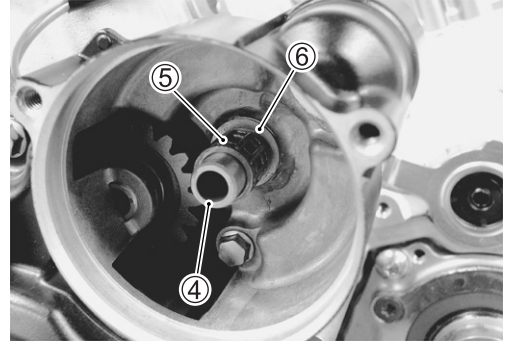
- Remove the starter idle gear cover.



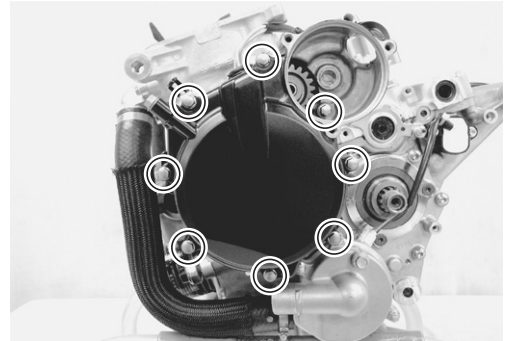
- Remove the spring washer ①, washer ② and starter idle gear No. 1 ③.



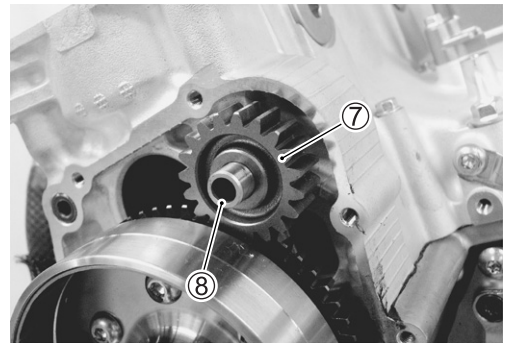
- Remove the shaft ④, bearing ⑤ and thrust washer ⑥.



- Remove the generator cover.
- Remove the dowel pins and gasket.




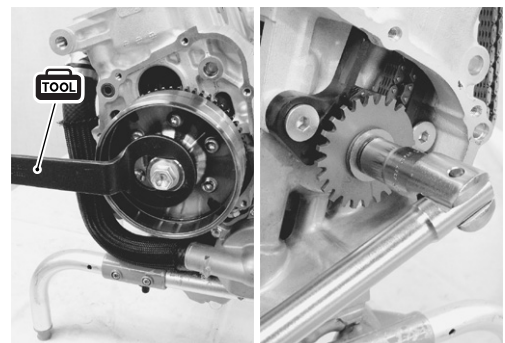
- Remove the starter idle gear No. 2 ⑦ and shaft ⑧.



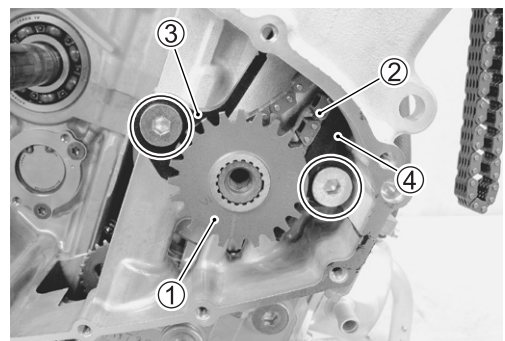
### CAM CHAIN/CAM CHAIN TENSIONER/CAM CHAIN GUIDE

- While holding the generator rotor with the special tool, remove the CKP sensor rotor/cam chain drive sprocket nut.

 09930-44520: Rotor holder



- Remove the CKP sensor rotor/cam chain drive sprocket ① and cam chain ②.
- Remove the cam chain tensioner ③ and cam chain guide No. 1 ④.



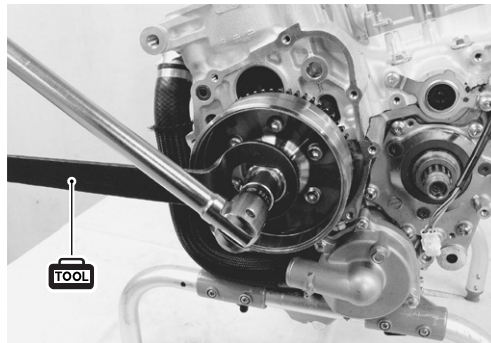


**GENERATOR ROTOR AND STARTER DRIVEN GEAR**

- Hold the generator rotor with the special tool.

**TOOL** 09930-44520: Rotor holder

- Remove the generator rotor bolt.

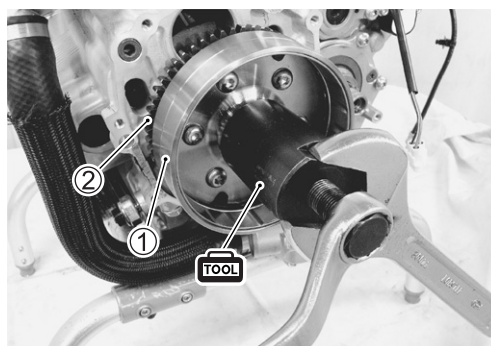
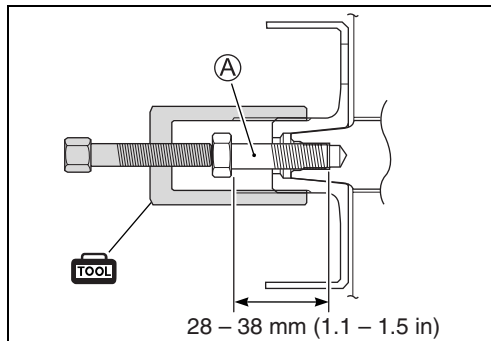


- Install a bolt (A) of suitable size to the left end of crankshaft.

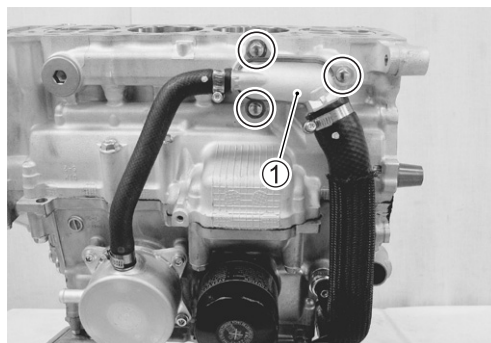
**SUITABLE BOLT (A) [M12, length: 28 – 38 mm (1.1 – 1.5 in)]**

- Remove the generator rotor (1) and starter driven gear (2) with the special tool.

**TOOL** 09930-34980: Rotor remover

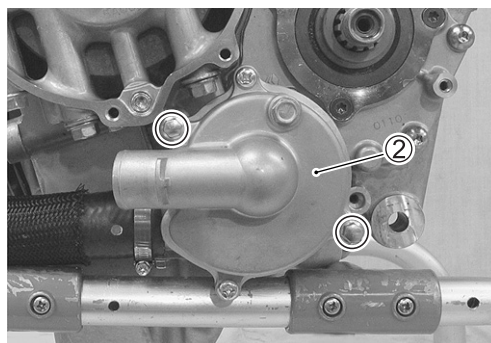
**WATER PUMP**

- Remove the water hoses and water inlet connector (1).



- Remove the water pump (2).

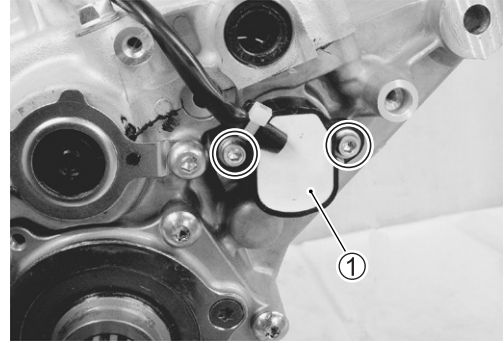
**WATER PUMP SERVICING (👉 7-11)**





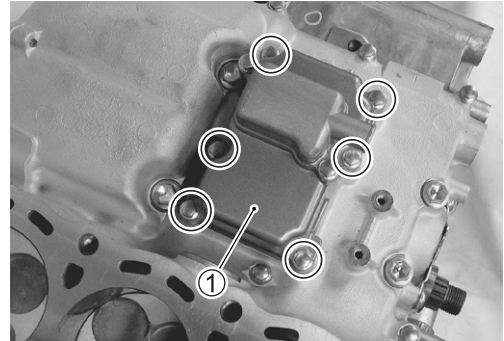
### GEAR POSITION SWITCH

- Remove the gear position switch ①.

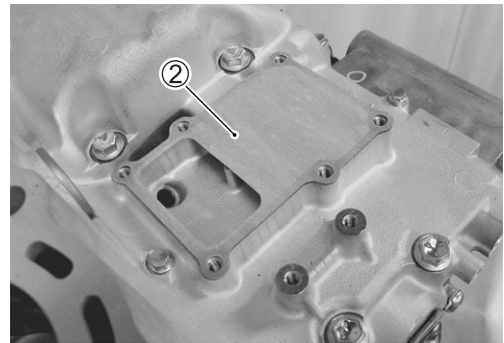


### CRANKCASE BREATHER (PCV) COVER

- Remove the crankcase breather cover ①.

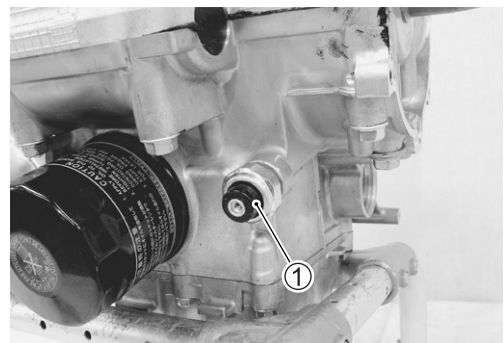


- Remove the gasket ②.




### OIL PRESSURE SWITCH

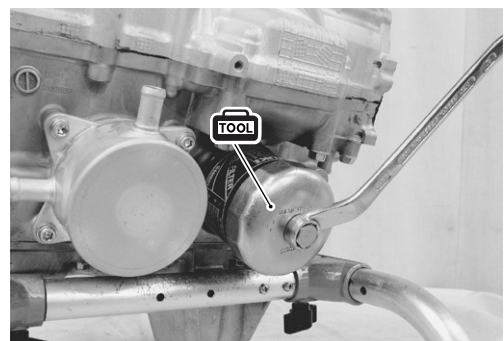
- Remove the oil pressure switch ①.



### OIL FILTER

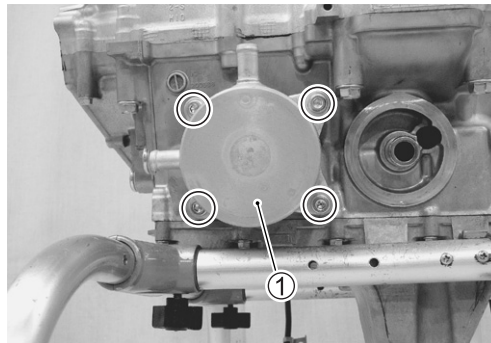
- Remove the oil filter with the special tool.

 09915-40610: Oil filter wrench

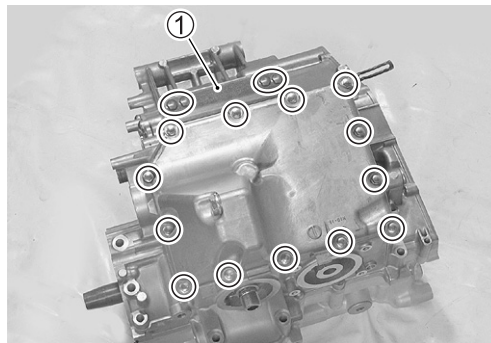


**OIL COOLER**

- Remove the oil cooler ①.

**OIL PAN**

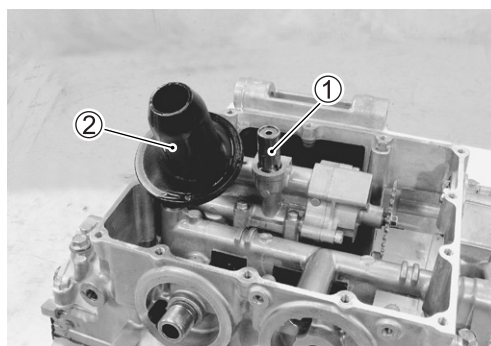
- Remove the plate ① and oil pan.
- Remove the gasket.

**OIL PRESSURE REGULATOR**

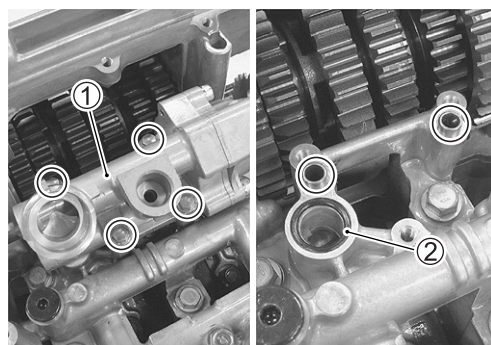
- Remove the oil pressure regulator ①.

**OIL STRAINER**

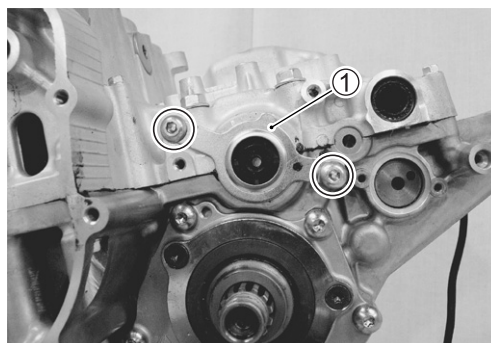
- Remove the oil strainer ②.

**OIL PUMP**

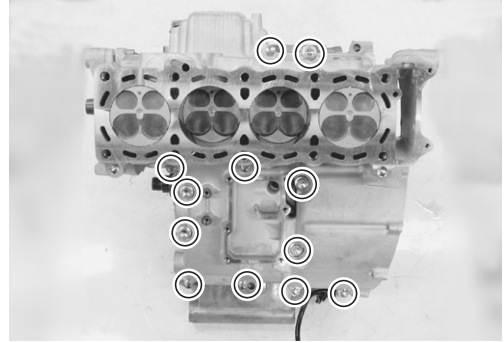
- Remove the oil pump ①.
- Remove the dowel pins and O-ring ②.

**LOWER CRANKCASE**

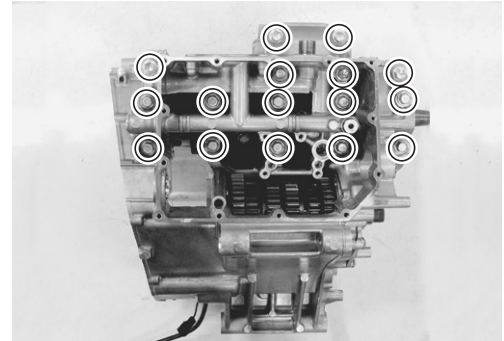
- Remove the clutch push rod oil seal retainer ①.



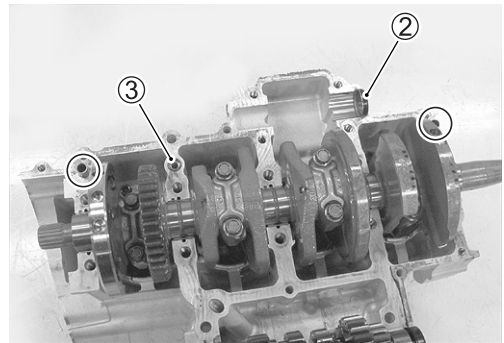
- Remove the upper crankcase bolts.



- Remove the lower crankcase bolts (M8).
- Remove the crankshaft journal bolts (M9).
- Remove the lower crankcase assembly.

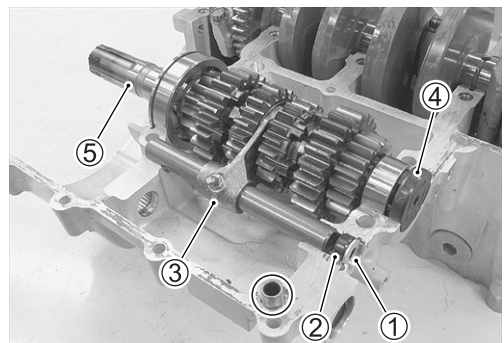


- Remove the dowel pins, O-ring ② and cap ③.

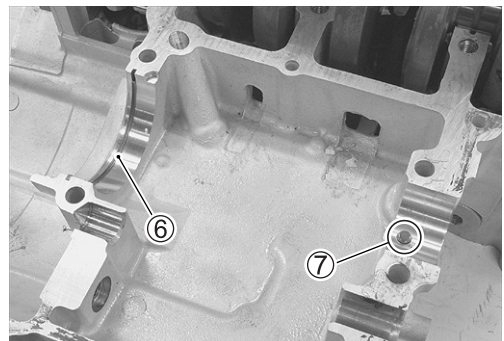


### COUNTERSHAFT

- Remove the dowel pin.
- Remove the retainer ①, bushing ②, gearshift shaft and fork ③.
- Remove the oil seal ④ and countershaft assembly ⑤.

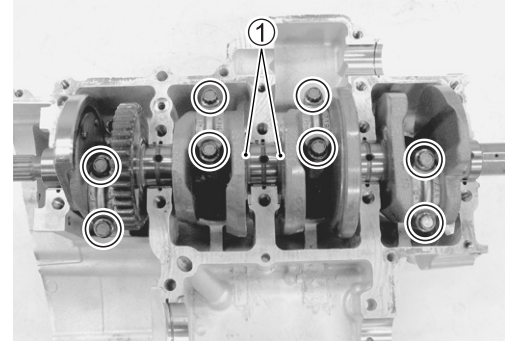


- Remove the C-ring ⑥ and bearing pin ⑦.



**CRANKSHAFT**

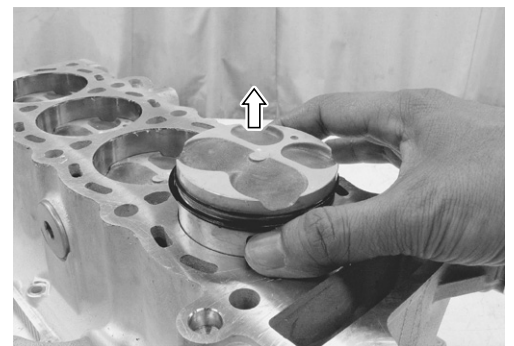
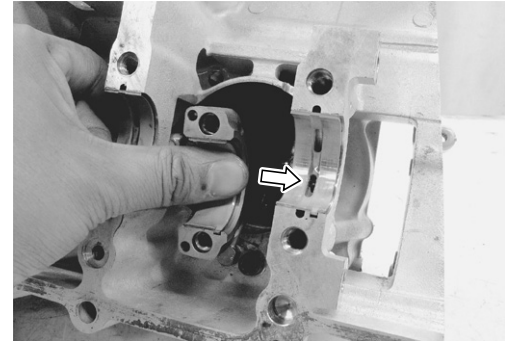
- Loosen the conrod bearing cap bolts by using a 10 mm, 12-point socket wrench, and tap the bearing cap bolts lightly with a plastic hammer to remove the bearing cap.
- Remove the crankshaft and thrust bearings ①.

**PISTON AND CONROD**

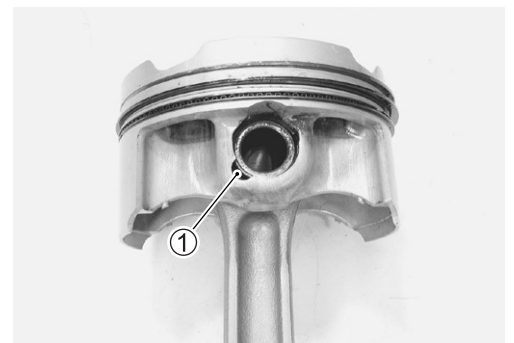
- Push the conrod to cylinder head side and remove the piston and conrod from the upper crankcase.

**CAUTION**

Be careful not to damage the cylinder wall by the conrod.



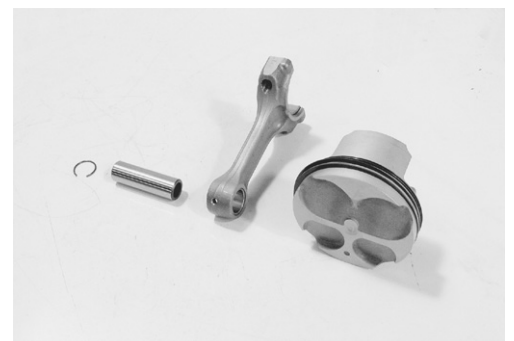
- Remove the piston pin circlip ①.



- Separate the piston and conrod by driving out the piston pin.

**NOTE:**

*Scribe the cylinder number on the piston head.*





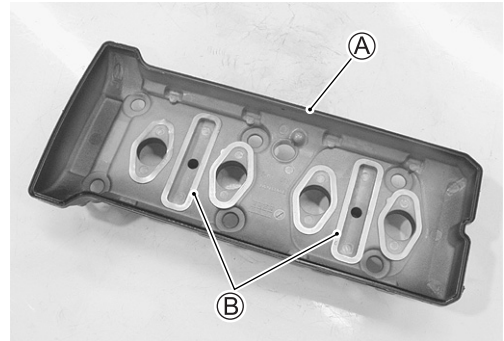
## ENGINE COMPONENTS INSPECTION AND SERVICE

### CAUTION

Identify the position of each removed part. Organize the parts in their respective groups (i.e., intake, exhaust, No.1 or No.2) so that they can be installed in their original locations.

### CYLINDER HEAD COVER

- Clean and check the gasket grooves (A) and PAIR reed valve gasket mating surfaces (B) of cylinder head cover.
- If it is damaged, replace the cylinder head cover with a new one.



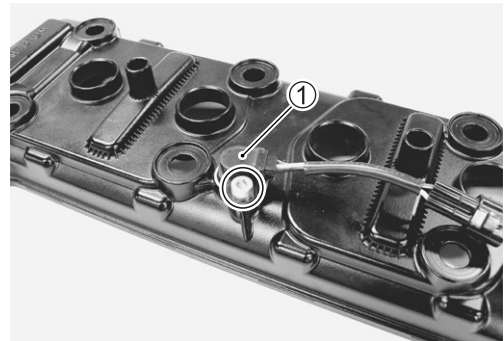
### CMP SENSOR

#### REMOVAL

- Remove the CMP sensor ① from the cylinder head cover.

#### INSPECTION

- Inspect the CMP sensor. (📄 4-33)



#### INSTALLATION

- Install the CMP sensor.

#### NOTE:

When installing, clean the CMP sensor's face.

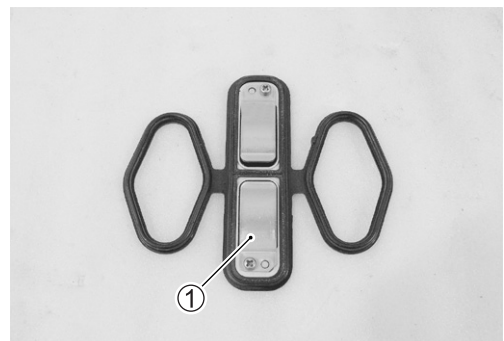
 **CMP sensor mounting bolt: 10 N·m (1.0 kgf-m, 7.0 lb-ft)**



### PAIR REED VALVE

#### REMOVAL

- Remove the PAIR reed valve ① from the gasket.

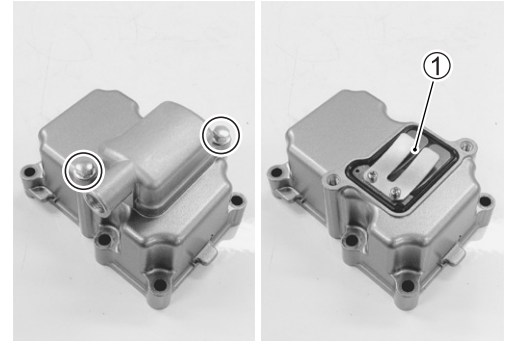


**INSPECTION**

- Inspect the reed valve for the carbon deposit.
- If the carbon deposit is found in the reed valve, replace the PAIR reed valve with a new one.

**CRANKCASE BREATHER REED VALVE****REMOVAL**

- Remove the crankcase breather reed valve ① from the crankcase breather cover.

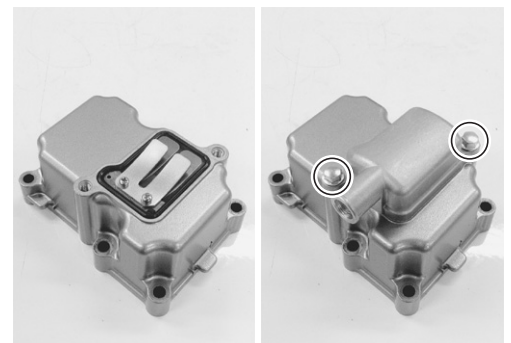
**INSPECTION**

- Inspect the reed valve for the carbon deposit.
- If the carbon deposit is found in the reed valve, replace the crankcase breather reed valve with a new one.

**INSTALLATION**

- Install the reed valve to the breather cover.
- Tighten the bolts to the specified torque.

 **Crankcase breather reed valve cover bolt:**  
10 N·m (1.0 kgf·m, 7.0 lb·ft)

**PCV HOSE**

- Remove the PCV hose from the crankcase breather reed valve cover.
- Inspect the PCV hose for wear or damage.
- If it is worn or damaged, replace the PCV hose with a new one.



## CAMSHAFT

### CAMSHAFT IDENTIFICATION

The exhaust camshaft can be distinguished from that of the intake by the embossed letters “EX” (for exhaust) as against letters “IN” (for intake).



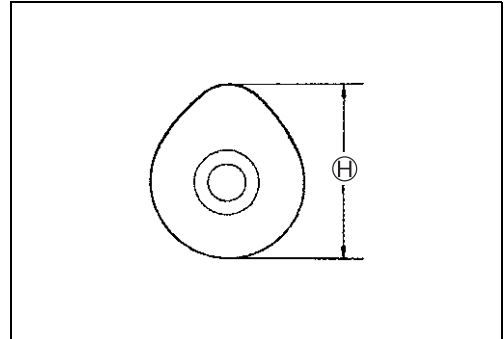
### CAM WEAR

- Check the camshaft for wear or damage.
- Measure the cam height  $\ominus$  with a micrometer.

#### **DATA** Cam height $\ominus$ :

**Service Limit: (IN.) : 36.28 mm (1.428 in)**  
**(EX.): 35.68 mm (1.405 in)**

**TOOL** 09900-20202: Micrometer (25 – 50 mm)



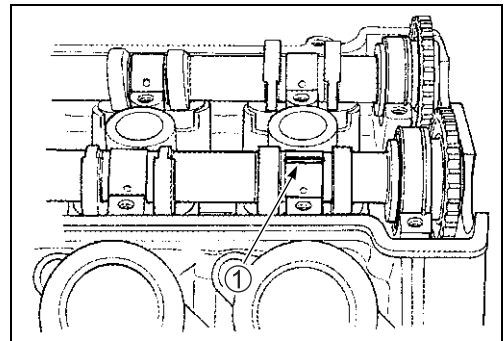
### CAMSHAFT JOURNAL WEAR

- Determine whether or not each journal is worn down to the limit by measuring the oil clearance with the camshaft installed in place.
- Use the plastigauge ① to read the clearance at the widest portion, which is specified as follows:

#### **DATA** Camshaft journal oil clearance:

**Service Limit: (IN. & EX.): 0.150 mm (0.0059 in)**

**TOOL** 09900-22301: Plastigauge  
 09900-22302: Plastigauge

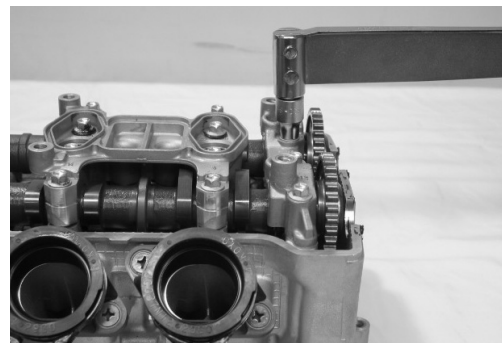


#### NOTE:

Install camshaft journal holders to their original positions.  
 (↖ 3-93)

- Tighten the camshaft journal holder bolts evenly and diagonally to the specified torque.

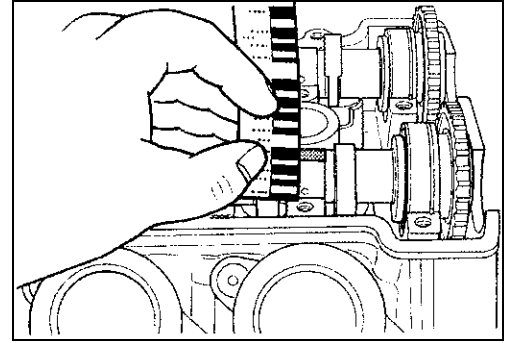
**TOOL** Camshaft journal holder bolt: 10 N·m (1.0 kgf·m, 7.0 lb-ft)



**NOTE:**

*Do not rotate the camshaft with the plastigauge in place.*

- Remove the camshaft holders, and read the width of the compressed plastigauge with envelope scale.
- This measurement should be taken at the widest part.



- If the camshaft journal oil clearance measured exceeds the limit, measure the inside diameter of the camshaft journal holder and outside diameter of the camshaft journal.
- Replace the camshaft or the cylinder head depending upon which one exceeds the specification.

**DATA** Camshaft journal holder I.D.:

**Standard (IN. & EX.):**

24.012 – 24.025 mm (0.9454 – 0.9459 in)

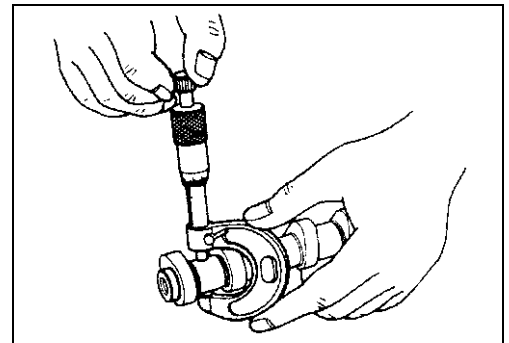
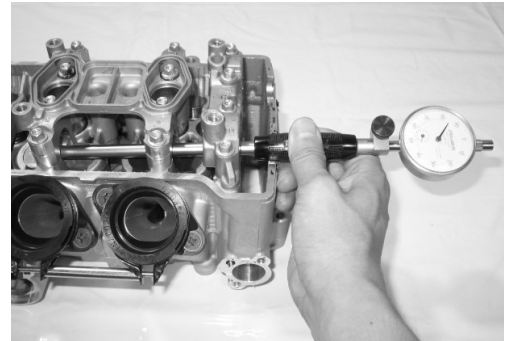
**TOOL** 09900-20602: Dial gauge (1/1000, 1 mm)

09900-22403: Small bore gauge (18 – 35 mm)

**DATA** Camshaft journal O.D.:

**Standard (IN. & EX.):**

23.959 – 23.980 mm (0.9433 – 0.9441 in)

**TOOL** 09900-20205: Micrometer (0 – 25 mm)**CAMSHAFT RUNOUT**

- Measure the runout using the dial gauge.
- Replace the camshaft if the runout exceeds the limit.

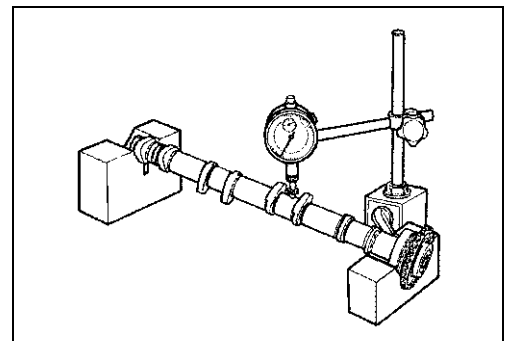
**DATA** Camshaft runout:

**Service Limit (IN. & EX.): 0.10 mm (0.004 in)**

**TOOL** 09900-20607: Dial gauge (1/100 mm)

09900-20701: Magnetic stand

09900-21304: V-block set (100 mm)

**CAM SPROCKET**

- Inspect the sprocket teeth for wear.
- If they are worn, replace the sprocket/camshaft assembly and cam chain as a set.

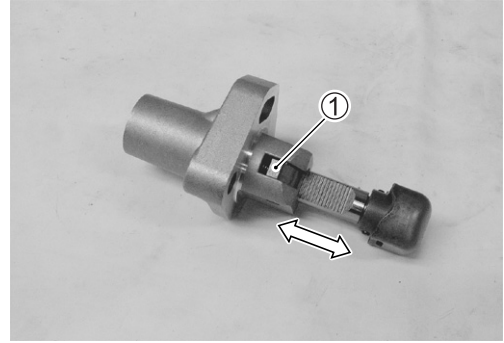




## CAM CHAIN TENSION ADJUSTER

### INSPECTION

- Remove the cam chain tension adjuster cap bolt and spring.
- Check that the push rod slides smoothly when releasing stopper ①.
- If it does not slide smoothly, replace the cam chain tension adjuster with a new one.



## CAM CHAIN TENSIONER

### INSPECTION

- Check the contacting surface of the cam chain tensioner.
- If it is worn or damaged, replace it with a new one.



## CAM CHAIN GUIDE

### INSPECTION

- Check the contacting surfaces of the cam chain guide No. 1 and No. 2.
- If they are worn or damaged, replace them with the new ones.



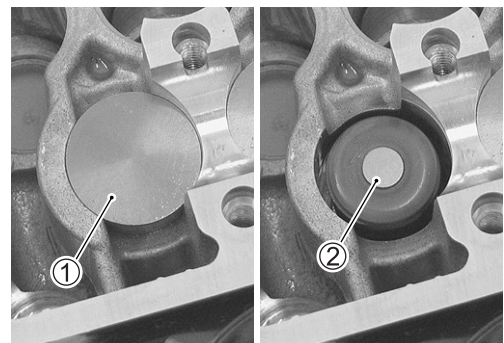
## CYLINDER HEAD AND VALVE

### VALVE AND VALVE SPRING DISASSEMBLY

- Remove the tappet ① and shim ② by fingers or magnetic hand.

#### CAUTION

Identify the position of each removed part.



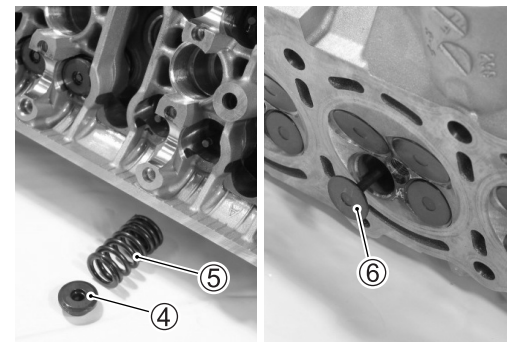
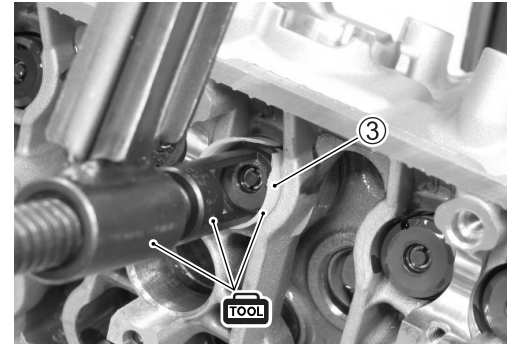
- Install the special tool ③ between the valve spring and cylinder head.
- Using the special tools, compress the valve spring and remove the two cotter halves from the valve stem.

**TOOL** 09916-14510: Valve lifter  
 09916-14530: Valve lifter attachment  
 09916-84511: Tweezers  
 09919-28610: Sleeve protector

#### CAUTION

To prevent damage of the tappet sliding surface with the special tool, use the protector.

- Remove the valve spring retainer ④ and valve spring ⑤.
- Pull out the valve ⑥ from the combustion chamber side.

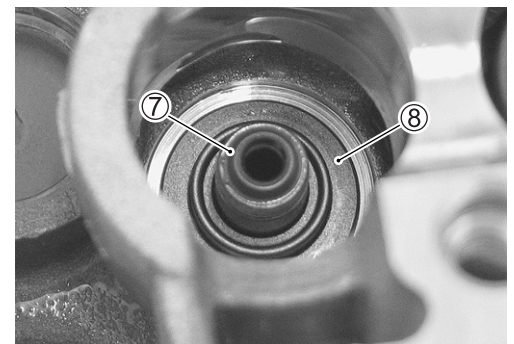


- Remove the oil seal ⑦ and spring seat ⑧.

#### CAUTION

Do not reuse the removed oil seal.

- Remove the other valves in the same manner as described previously.

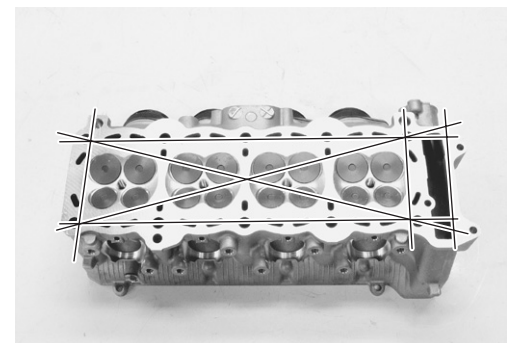


#### CYLINDER HEAD DISTORTION

- Decarbonize the combustion chambers.
- Check the gasketed surface of the cylinder head for distortion with a straightedge and thickness gauge, taking a clearance reading at several places indicated.
- If the largest reading at any position of the straightedge exceeds the limit, replace the cylinder head.

**DATA** Cylinder head distortion:  
 Service Limit: 0.20 mm

**TOOL** 09900-20803: Thickness gauge



**VALVE STEM RUNOUT**

- Support the valve using V-blocks and check its runout using the dial gauge as shown.
- If the runout exceeds the service limit, replace the valve.

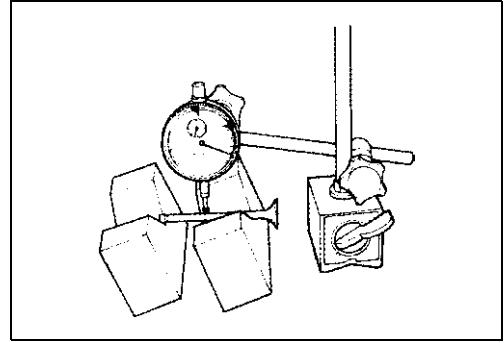
**DATA** Valve stem runout:

Service Limit: 0.05 mm

- TOOL** 09900-20607: Dial gauge (1/100 mm)  
 09900-20701: Magnetic stand  
 09900-21304: V-block set (100 mm)

**CAUTION**

Be careful not to damage the valve and valve stem when handling it.

**VALVE HEAD RADIAL RUNOUT**

- Place the dial gauge at a right angle to the valve head face and measure the valve head radial runout.
- If it measures more than the service limit, replace the valve.

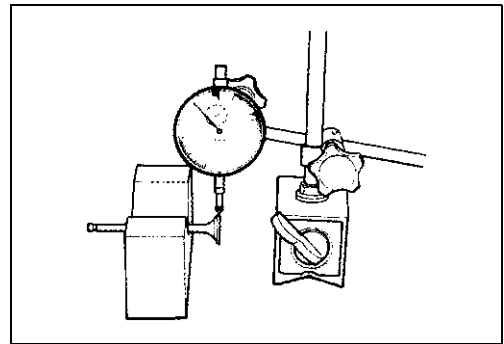
**DATA** Valve head radial runout:

Service Limit: 0.03 mm

- TOOL** 09900-20607: Dial gauge (1/100 mm)  
 09900-20701: Magnetic stand  
 09900-21304: V-block set (100 mm)

**CAUTION**

Be careful not to damage the valve and valve stem when handling it.

**VALVE STEM AND VALVE FACE WEAR CONDITION**

- Visually inspect each valve stem and valve face for wear and pitting. If it is worn or damaged, replace the valve with a new one.

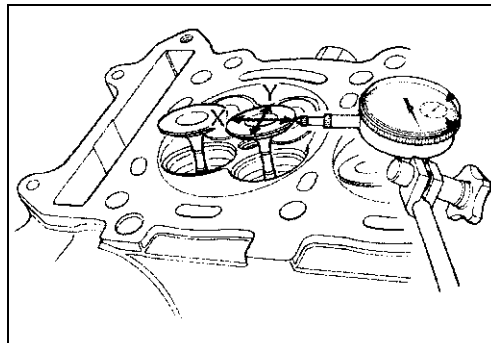


**VALVE STEM DEFLECTION**

- Lift the valve about 10 mm from the valve seat.
- Measure the valve stem deflection in two directions, perpendicular to each other, by positioning the dial gauge as shown.
- If the deflection measured exceeds the limit, then determine whether the valve or the guide should be replaced with a new one.

**DATA** Valve stem deflection (IN & EX):  
Service Limit: 0.25 mm

**TOOL** 09900-20607: Dial gauge (1/100 mm)  
09900-20701: Magnetic stand

**VALVE STEM WEAR**

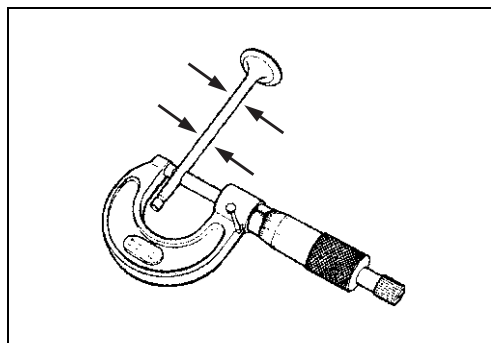
- If the valve stem is worn down to the limit, as measured with a micrometer, replace the valve.
- If the stem is within the limit, then replace the guide.
- After replacing valve or guide, be sure to recheck the deflection.

**DATA** Valve stem O.D.:  
Standard (IN) : 4.475 – 4.490 mm (0.1762 – 0.1768 in)  
(EX) : 4.455 – 4.470 mm (0.1754 – 0.1760 in)

**TOOL** 09900-20205: Micrometer (0 – 25 mm)

**NOTE:**

If valve guides have to be removed for replacement after inspecting related parts, carry out the steps shown in valve guide servicing. (↪ below)

**VALVE GUIDE SERVICING**

- Using the valve guide remover, drive the valve guide out toward the intake or exhaust camshaft side.

**TOOL** 09916-43211: Valve guide remover/installer

**NOTE:**

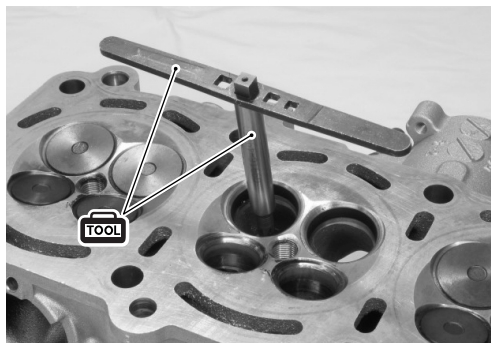
- \* Discard the removed valve guide subassemblies.
- \* Only oversized valve guides are available as replacement parts. (Part No. 11115-29G70)

- Re-finish the valve guide holes in cylinder head with the reamer and handle.

**TOOL** 09916-33320: Valve guide reamer  
09916-34542: Reamer handle

**CAUTION**

When refinishing or removing the reamer from the valve guide hole, always turn it clockwise.



- Cool down the new valve guides in a freezer for about one hour and heat the cylinder head to 100 °C – 150 °C (212 °F – 302 °F) with a hot plate.

**CAUTION**

**Do not use a burner to heat the valve guide hole to prevent cylinder head distortion.**

- Apply engine oil to the valve guide hole.
- Drive the valve guide into the hole using the valve guide installer ① and attachment ②.

**TOOL 09916-43211: Valve guide installer/remover**  
**09916-44930: Attachment**  
**09916-53330: Attachment**

**NOTE:**

Install the valve guide until the attachment ② contacts with the cylinder head ③.

Ⓐ: 14.1 mm (0.555 in) (IN)  
 13.2 mm (0.520 in) (EX)

**CAUTION**

**Failure to oil the valve guide hole before driving the new guide into place may result in a damaged guide or head.**

- After installing the valve guides, re-finish their guiding bores using the reamer.
- Clean and oil the guides after reaming.

**TOOL 09916-33210: Valve guide reamer**  
**09916-34542: Reamer handle**

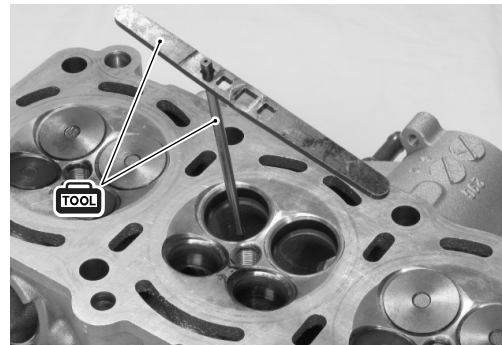
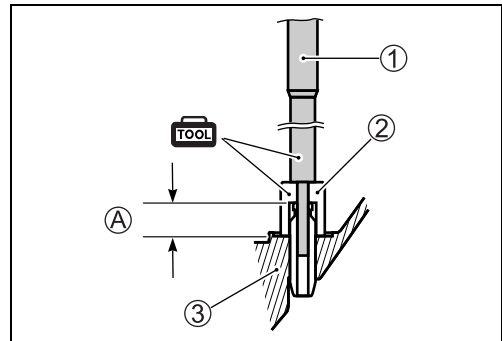
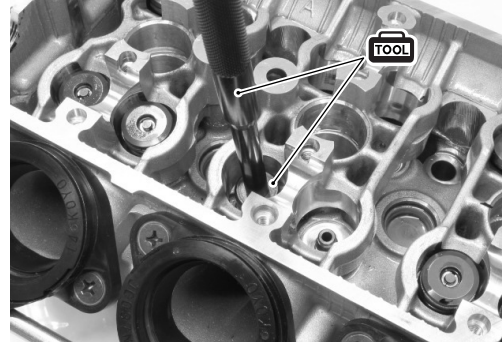
**NOTE:**

- \* Be sure to cool down the cylinder head to ambient air temperature.
- \* Insert the reamer from the combustion chamber and always turn the reamer handle clockwise.

**VALVE SEAT WIDTH INSPECTION**

- Visually check for valve seat width on each valve face.
- If the valve face has worn abnormally, replace the valve.
- Coat the valve seat with Prussian Blue and set the valve in place. Rotate the valve with light pressure.
- Check that the transferred blue on the valve face is uniform all around and in center of the valve face.

**TOOL 09916-10911: Valve lapper set**



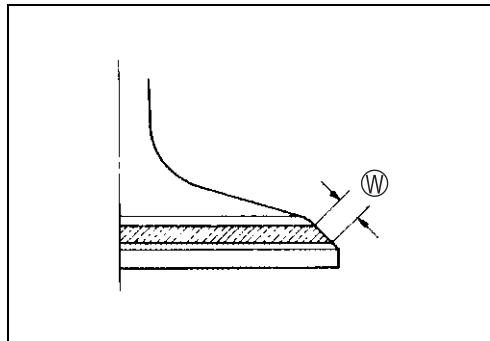


- If the seat width  $\text{W}$  measured exceeds the standard value or seat width is not uniform, reface the seat using the seat cutter.

**DATA** Valve seat width  $\text{W}$ :

**Standard: 0.9 – 1.1 mm (0.035 – 0.043 in)**

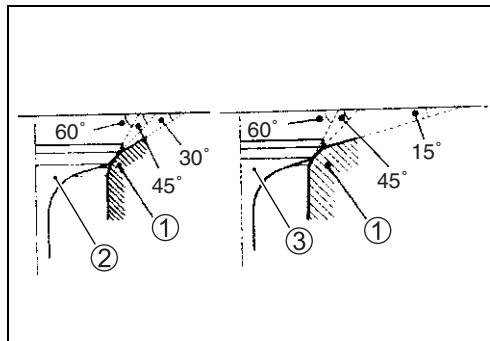
If the valve seat is out of specification, re-cut the seat.



**VALVE SEAT SERVICING**

- The valve seats ① for both the intake valve ② and exhaust valve ③ are machined to four different angles. The seat contact surface is cut at 45°.

	INTAKE	EXHAUST
Seat angle	30°, 45°, 60°	15°, 45°, 60°
Seat width	0.9 – 1.1mm (0.035 – 0.043 in)	
Valve diameter	27.2 mm (1.07 in)	22 mm (0.87 in)
Valve guide I.D.	4.500 – 4.512 mm (0.177 – 0.178 in)	



**CAUTION**

- \* The valve seat contact area must be inspected after each cut.
- \* Do not use lapping compound after the final cut is made. The finished valve seat should have a velvety smooth finish but not a highly polished or shiny finish. This will provide a soft surface for the final seating of the valve which will occur during the first few seconds of engine operation.
- \* The titanium valves are coated with an oxidized membrane treatment to resist wear but the membrane tend to be removed if lapped after valve seat servicing.

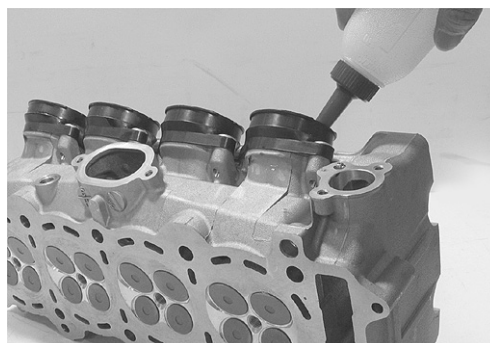
**NOTE:**

After servicing the valve seats, be sure to check the valve clearance after the cylinder head has been reinstalled. (↺ 2-7)

- Clean and assemble the head and valve components. Fill the intake and exhaust ports with gasoline to check for leaks.
- If any leaks occur, inspect the valve seat and face for burrs or other things that could prevent the valve from sealing.

**⚠ WARNING**

**Always use extreme caution when handling gasoline.**



**VALVE SPRING**

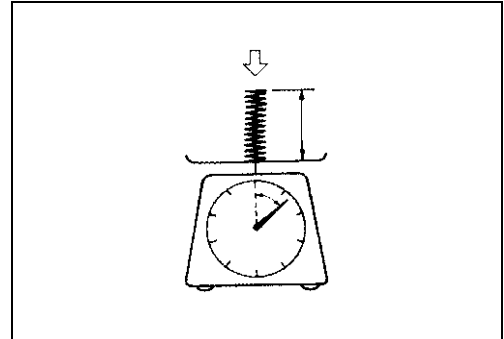
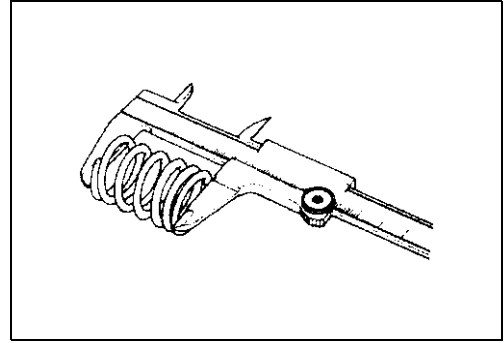
The force of the coil spring keeps the valve seat tight. Weakened spring result in reduced engine power output, and often account for the chattering noise coming from the valve mechanism.

- Check the valve spring for proper strength by measuring its free length and also by the force required to compress it.
- If the spring length is less than the service limit, or if the force required to compress the spring does not fall within the range specified, replace the spring.

**DATA** Valve spring free length:  
Service limit (IN & EX): 38.2 mm (1.504 in)

**TOOL** 09900-20102: Vernier calipers

**DATA** Valve spring tension (IN & EX):  
Standard: 203 – 233 N (20.7 – 23.8 kgf)/33.55 mm  
(45.6 – 52.4 lbs/1.32 in)

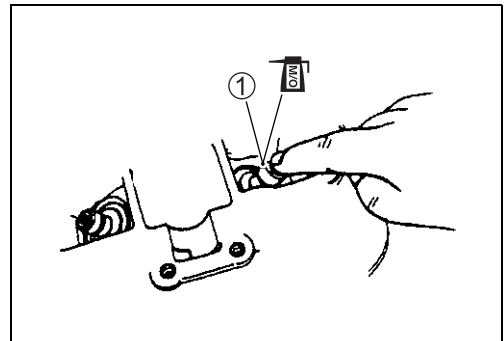
**VALVE AND VALVE SPRING REASSEMBLY**

- Install the valve spring seat.
- Apply MOLYBDENUM OIL SOLUTION to the oil seal ①, and press-fit it into position.

**TOOL** MOLYBDENUM OIL SOLUTION

**CAUTION**

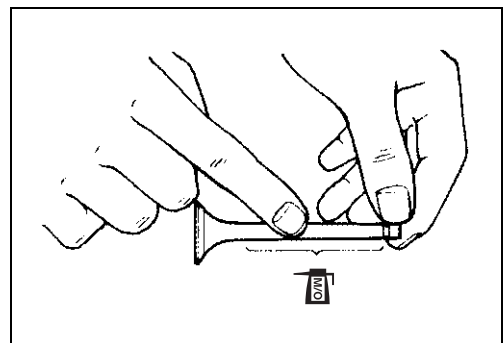
Do not reuse the removed oil seal.



- Insert the valve, with its stem coated with MOLYBDENUM OIL SOLUTION all around and along the full stem length without any break.

**CAUTION**

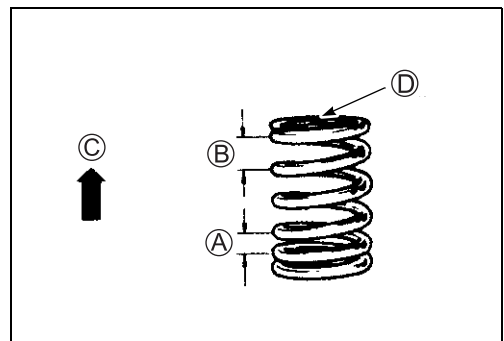
When inserting the valve, take care not to damage the lip of the oil seal.



**TOOL** MOLYBDENUM OIL SOLUTION

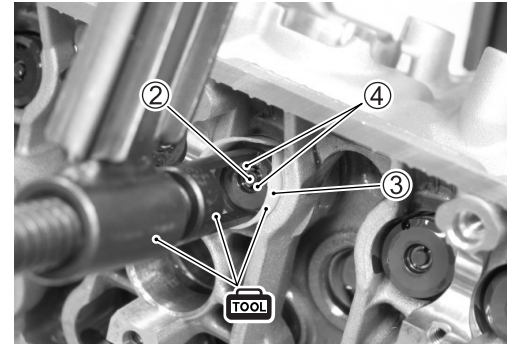
- Install the valve spring with the small-pitch portion (A) facing cylinder head.

- (B) Large-pitch portion
- (C) UPWARD
- (D) Paint



- Put on the valve spring retainer ②, and using the special tool ③, press down the spring, fit the cotter halves ④ to the stem end, and release the lifter to allow the cotter halves to wedge in between retainer and stem.

**TOOL** 09916-14510: Valve lifter  
 09916-14530: Valve lifter attachment  
 09916-84511: Tweezers  
 09919-28610: Sleeve protector



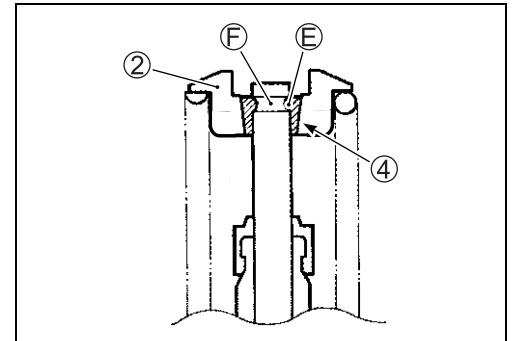
- Be sure that the rounded lip ⑤ of the cotter fits snugly into the groove ⑥ in the stem end.
- Install the other valves and springs in the same manner as described previously.

#### CAUTION

Be sure to restore each spring and valve to their original positions.

#### CAUTION

Be careful not to damage the valve and valve stem when handling it.

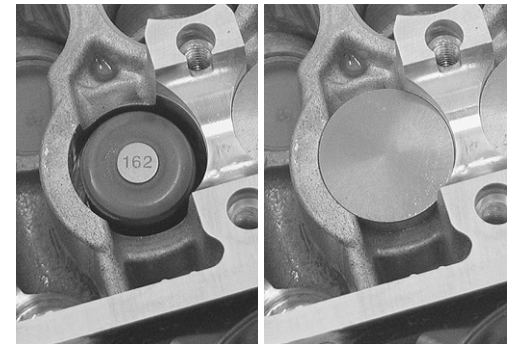


- ② Valve spring retainer
- ④ Cotter

- Install the tappet shims and the tappets to their original positions.

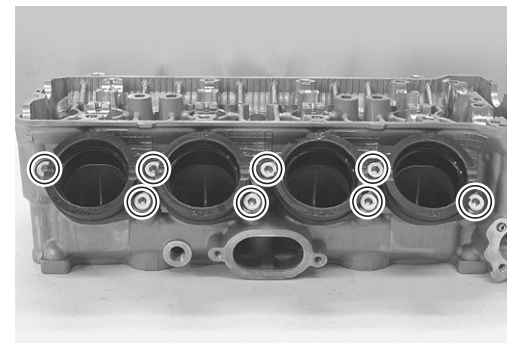
#### NOTE:

- \* Apply engine oil to the stem end, shim and tappet before fitting them.
- \* When seating the tappet shim, be sure the figure printed surface faces the tappet.



#### INTAKE PIPE

- Remove the intake pipes.



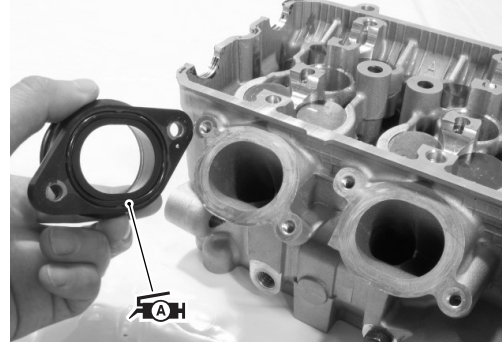


- Apply SUZUKI SUPER GREASE “A” to the O-rings.

 **99000-25010: SUZUKI SUPER GREASE “A”**  
(or equivalent grease)

- Install the intake pipes.
- Apply THREAD LOCK to the bolts.

 **99000-32050: THREAD LOCK “1342”**



## CLUTCH

### CLUTCH DRIVE PLATE INSPECTION


#### NOTE:

- \* Wipe off engine oil from the clutch drive plates with a clean rag.
- \* Clutch drive plate No.1: I.D. 111 mm (4.4 in)/Purple paint
- \* Clutch drive plate No.2: I.D. 111 mm (4.4 in)/Black paint
- \* Clutch drive plate No.3: I.D. 118 mm (4.6 in)/NIL


Ⓐ Paint


- Measure the thickness of drive plates with a vernier calipers.
- If the drive plate thickness is found to have reached the limit, replace it with a new one.

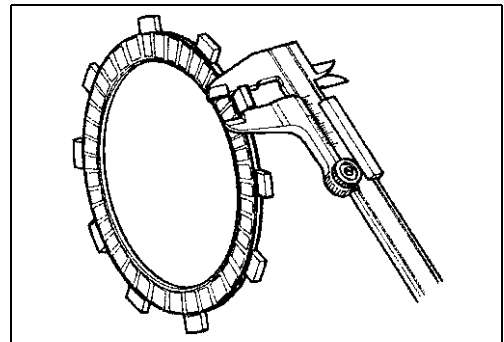
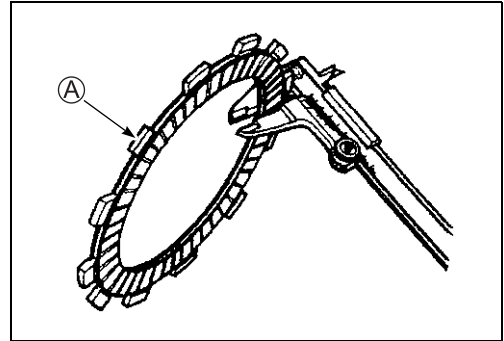
 **Drive plate thickness:**  
Service Limit: 2.42 mm (0.095 in)

 **09900-20102: Vernier calipers**

- Measure the claw width of drive plates with a vernier calipers.
- Replace the drive plates found to have worn down to the limit.

 **Drive plate claw width:**  
Service Limit: 13.05 mm (0.5138 in)


 **09900-20102: Vernier calipers**




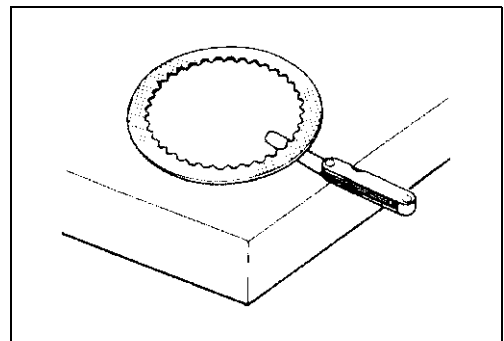
### CLUTCH DRIVEN PLATE INSPECTION

#### NOTE:

- Wipe off engine oil from the clutch driven plates with a clean rag.
- Measure each driven plate for distortion with a thickness gauge and surface plate.
- Replace driven plates which exceed the limit.

 **Driven plate distortion (No. 1 and No. 2):**  
Service Limit: 0.10 mm (0.004 in)

 **09900-20803: Thickness gauge**

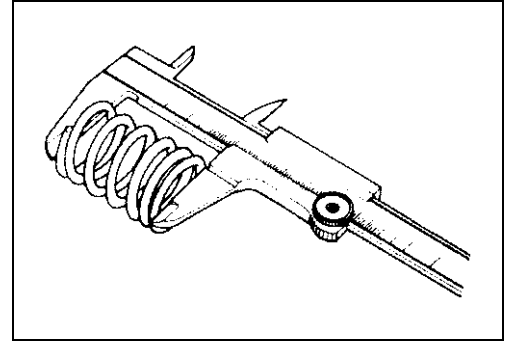


**CLUTCH SPRING INSPECTION**

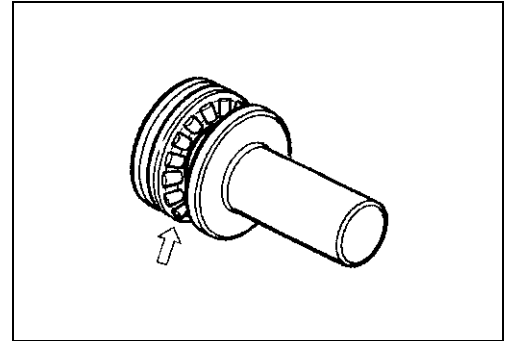
- Measure the free length of each coil spring with a vernier calipers, and compare the length with the specified limit.
- Replace all the springs if any spring is not within the limit.

**DATA** Clutch spring free length:  
Service Limit: 53.2 mm (2.094 in)

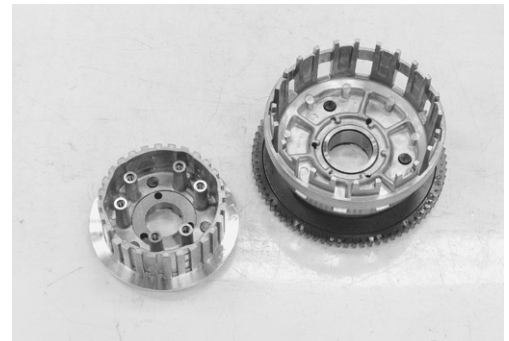
**TOOL** 09900-20102: Vernier calipers

**CLUTCH BEARING INSPECTION**

- Inspect the clutch release bearing for any abnormality, particularly cracks, to decide whether it can be reused or should be replaced.
- Smooth engagement and disengagement of the clutch depends on the condition of this bearing.

**CLUTCH SLEEVE HUB/PRIMARY DRIVEN GEAR ASSEMBLY**

- Inspect the slot of the clutch sleeve hub and primary driven gear assembly for damage or wear caused by the clutch plates. If necessary, replace it with a new one.

**CLUTCH LIFTER****CLUTCH LIFTER DRIVE CAM AND DRIVEN CAM INSPECTION**

- Inspect the clutch lifter drive cam and driven cam for wear or damage.
- If any defects are found, replace the clutch lifter drive cam or driven cam.




## CLUTCH LIFTER PIN ADJUSTMENT

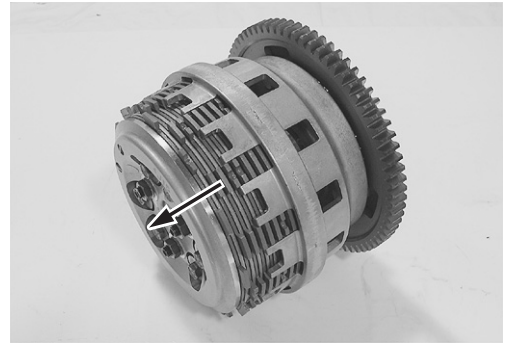
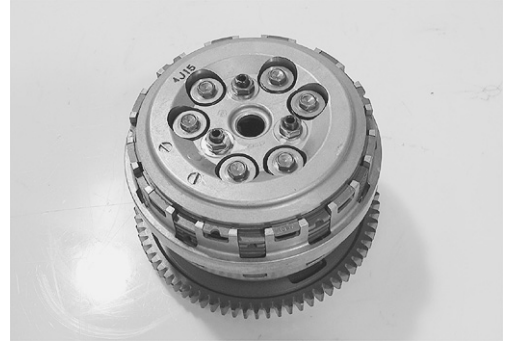
### NOTE:

When adjusting the clutch lifter, it is not necessary to install the clutch onto the countershaft.

- Assemble the following parts into the primary driven gear assembly. (☞ 3-85 to -88)
  - \* Clutch sleeve hub
  - \* Spring washer seat, Spring washer
  - \* Clutch drive plates, Clutch driven plates
  - \* Pressure plate
  - \* Clutch springs, Clutch springs set bolts

 **Clutch spring set bolt: 10 N·m (1.0 kgf-m, 7.0 lb-ft)**

- Remove the clutch assembly from the primary driven gear assembly.



- Check the height  $\text{H}$  of clutch lifter adjusting pin screws at three positions using the thickness gauge.
- If the measurement is out of the specification, adjust the height  $\text{H}$  as shown in the following specification.

**DATA** Clutch lifter adjusting pin screw height  $\text{H}$   
Standard: 0.2 – 0.4 mm (0.008 – 0.016 in)

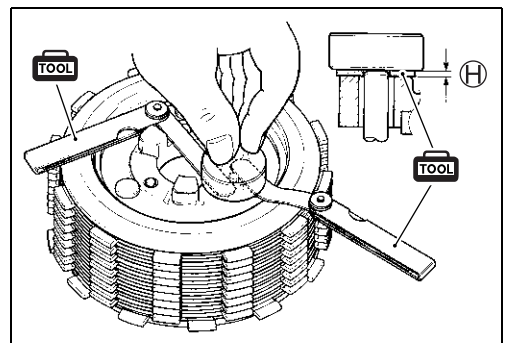
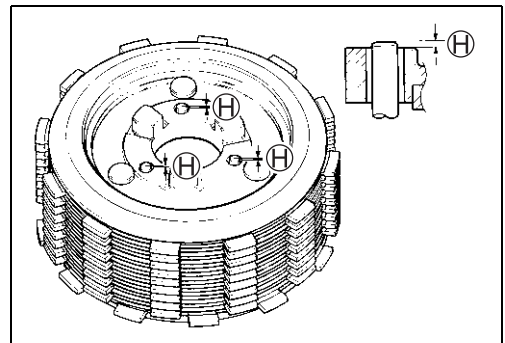
**TOOL** 09900-20803: Thickness gauge

### NOTE:

Each clutch lifter adjusting pin screw height should be as closely as possible.

- Loosen the lock-nut and turn out the adjusting pin screw.
- Set the thickness gauge to 0.3 mm (0.012 in).
- Place a proper flat plate on the thickness gauges and hold them by hand.
- Slowly turn in the adjusting pin screw until resistance is felt.
- Tighten the lock-nut.

 **Clutch lifter pin lock-nut: 23 N·m (2.3 kgf-m, 16.5 lb-ft)**

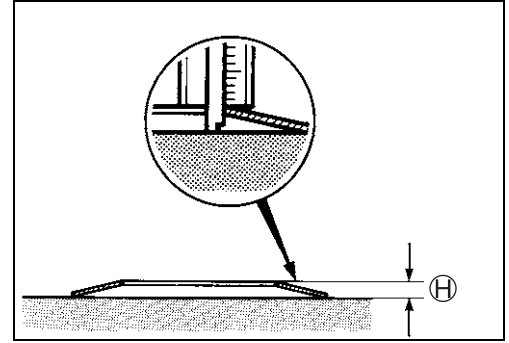


**WAVE SPRING WASHER INSPECTION**

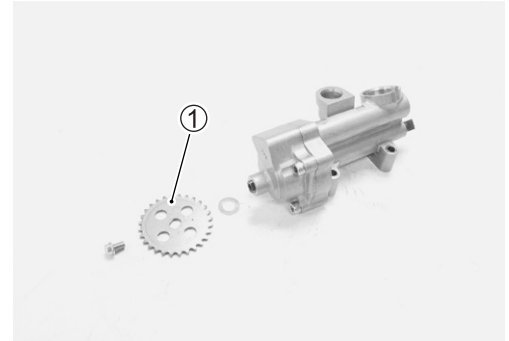
- Measure the free height  $\text{H}$  of each wave spring washer with a vernier calipers.
- If each wave spring washer height  $\text{H}$  is not within the specified limit, replace it with a new one.

**TOOL** 09900-20102: Vernier calipers

**DATA** Wave spring washer height  $\text{H}$   
Service Limit: 4.30 mm (0.169 in)

**OIL PUMP INSPECTION**

- Remove the oil pump driven sprocket ①.



- Rotate the oil pump shaft by hand and check that it moves smoothly.
- If it does not move smoothly, replace the oil pump assembly.

**CAUTION**

- \* Do not attempt to disassemble the oil pump assembly.
- \* The oil pump is available only as an assembly.


**STARTER CLUTCH INSPECTION**

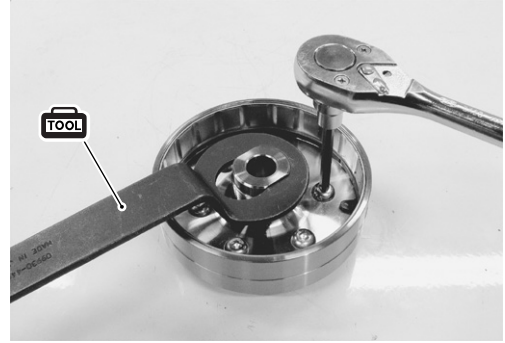
- Install the starter driven gear onto the starter clutch and turn the starter driven gear by hand to inspect the starter clutch for a smooth movement. The gear turns one direction only. If a large resistance is felt to rotation, inspect the starter clutch for damage or inspect the starter clutch contacting surface of the starter driven gear for wear or damage.
- If they are found to be damaged, replace them with new ones.
- Inspect the starter driven gear bearing for any damages.



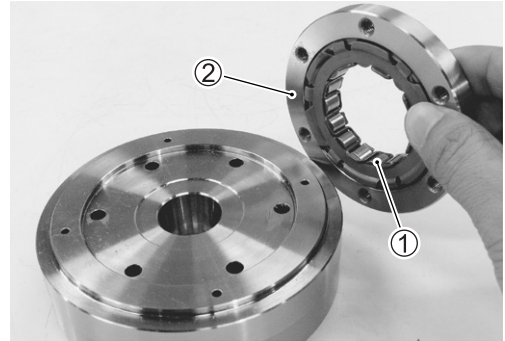
**DISASSEMBLY**

- With holding the rotor with the special tool remove the starter clutch bolts.

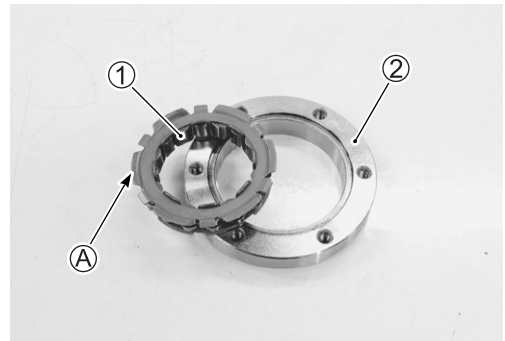
 **09930-44520: Rotor holder**



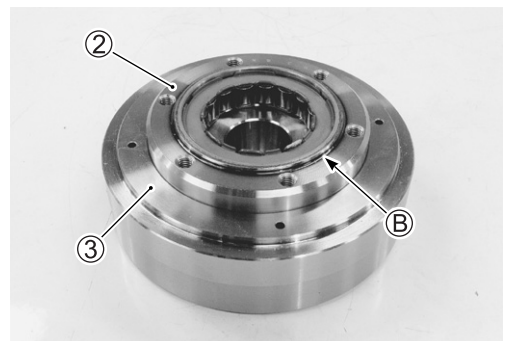
- Remove the one way clutch ① and guide ② from the rotor.

**REASSEMBLY**

- When fitting the one way clutch ① to the guide ②, position flange side (A) of one way clutch to the rotor side.




- When installing the starter clutch guide ② to the rotor ③, make sure that the flange (B) side faces outside.

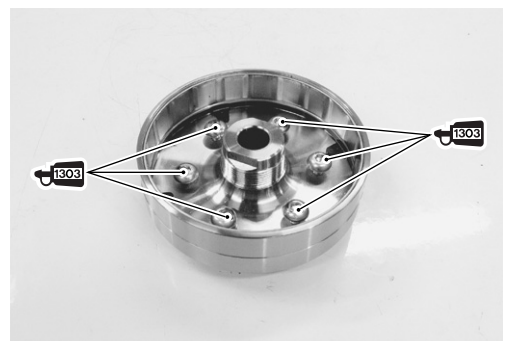


- Degrease the securing bolts and bolt holes.
- Apply THREAD LOCK SUPER "1303" to the bolts and tighten them to the specified torque while holding the rotor with the special tool.

 **99000-32030: THREAD LOCK SUPER "1303"**

 **Starter clutch securing bolt: 10 N·m (1.0 kgf-m, 7.0 lb-ft)**

 **09930-44520: Rotor holder**



## GENERATOR

### INSPECTION (☞ 9-10)

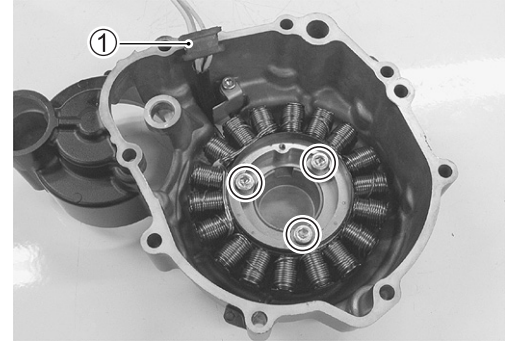
### REASSEMBLY

- When installing the generator stator set bolts, tighten them to the specified torque.

 **Generator stator set bolt: 11 N·m (1.1 kgf-m, 8.0 lb-ft)**

#### NOTE:

Be sure to install the grommet ① to the generator cover.



## WATER PUMP

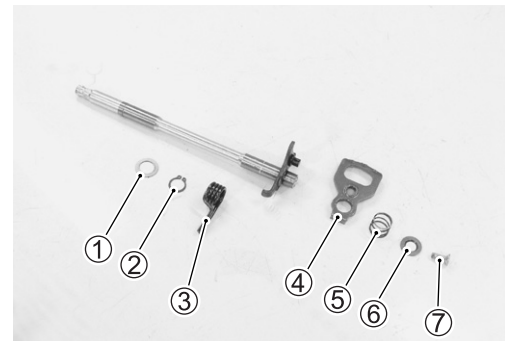
☞ 7-11

## GEARSHIFT SYSTEM

### GEARSHIFT SHAFT/GEARSHIFT ARM DISASSEMBLY

- Remove the following parts from the gearshift shaft/gearshift arm.

- |                                 |                       |
|---------------------------------|-----------------------|
| ① Washer                        | ⑤ Plate return spring |
| ② Snap ring                     | ⑥ Washer              |
| ③ Gearshift shaft return spring | ⑦ Screw               |
| ④ Gearshift cam drive plate     |                       |



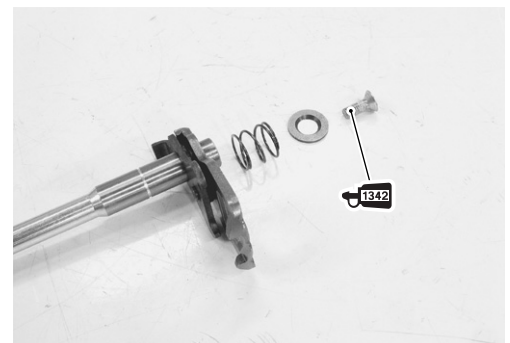
### GEARSHIFT SHAFT/GEARSHIFT ARM INSPECTION

- Inspect the gearshift shaft/gearshift arm for wear or bend.
- Inspect the return springs for damage or fatigue.
- Replace the arm or spring if there is anything unusual.

### GEARSHIFT SHAFT/GEARSHIFT ARM REASSEMBLY

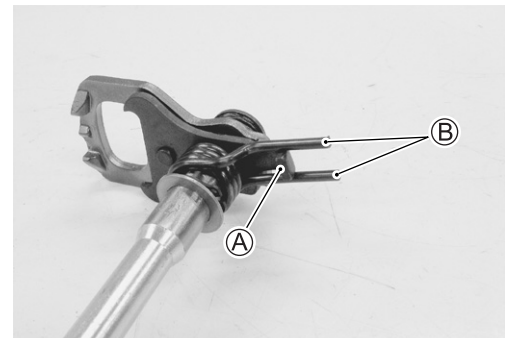
- Apply THREAD LOCK to the gearshift shaft screw.

 **99000-32050: THREAD LOCK "1342"**



#### NOTE:

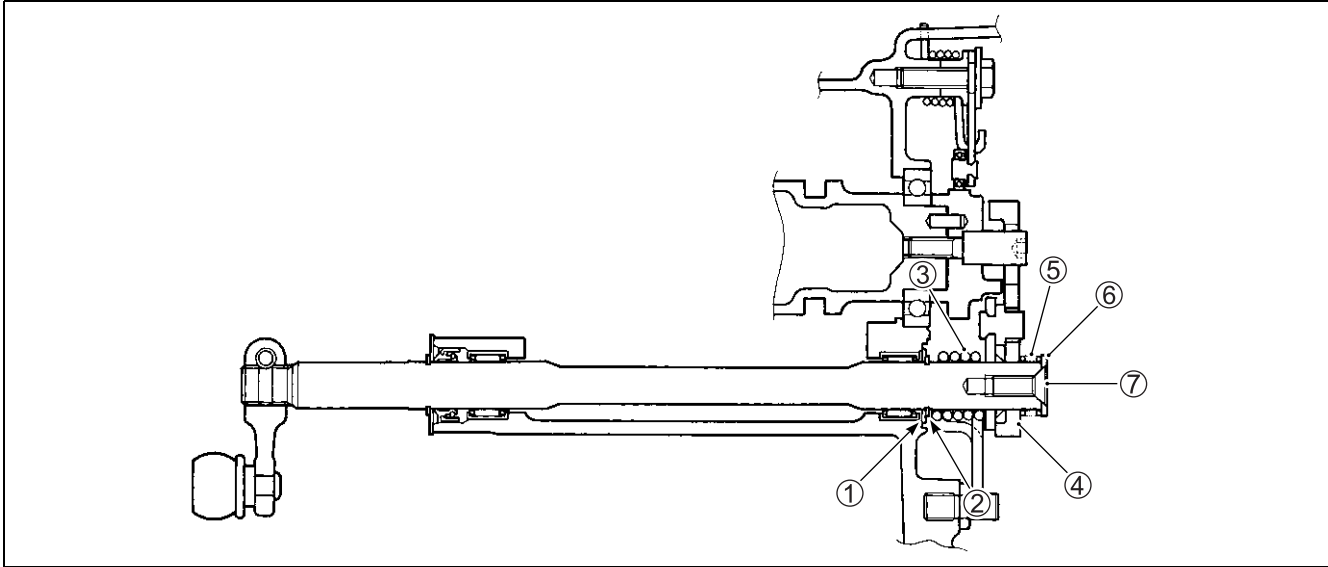
When installing the gearshift shaft return spring, position the stopper (A) of gearshift arm between the shaft return spring ends (B).





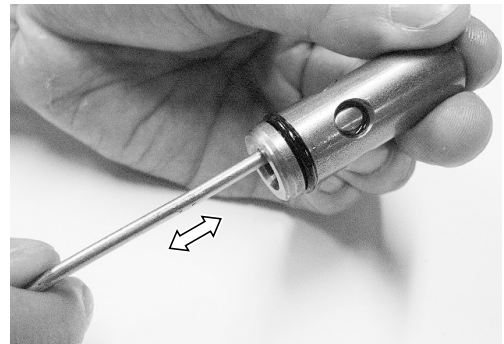
- Install the following parts to the gearshift shaft/gearshift arm as shown in the illustration.

- |                                 |                       |
|---------------------------------|-----------------------|
| ① Washer                        | ⑤ Plate return spring |
| ② Snap ring                     | ⑥ Washer              |
| ③ Gearshift shaft return spring | ⑦ Screw               |
| ④ Gearshift cam drive plate     |                       |



## OIL PRESSURE REGULATOR

- Inspect the operation of the oil pressure regulator by pushing on the piston with a proper bar.
- If the piston does not operate, replace the oil pressure regulator with a new one.



## OIL STRAINER

- Inspect the oil strainer body for damage.
- Clean the oil strainer if necessary.



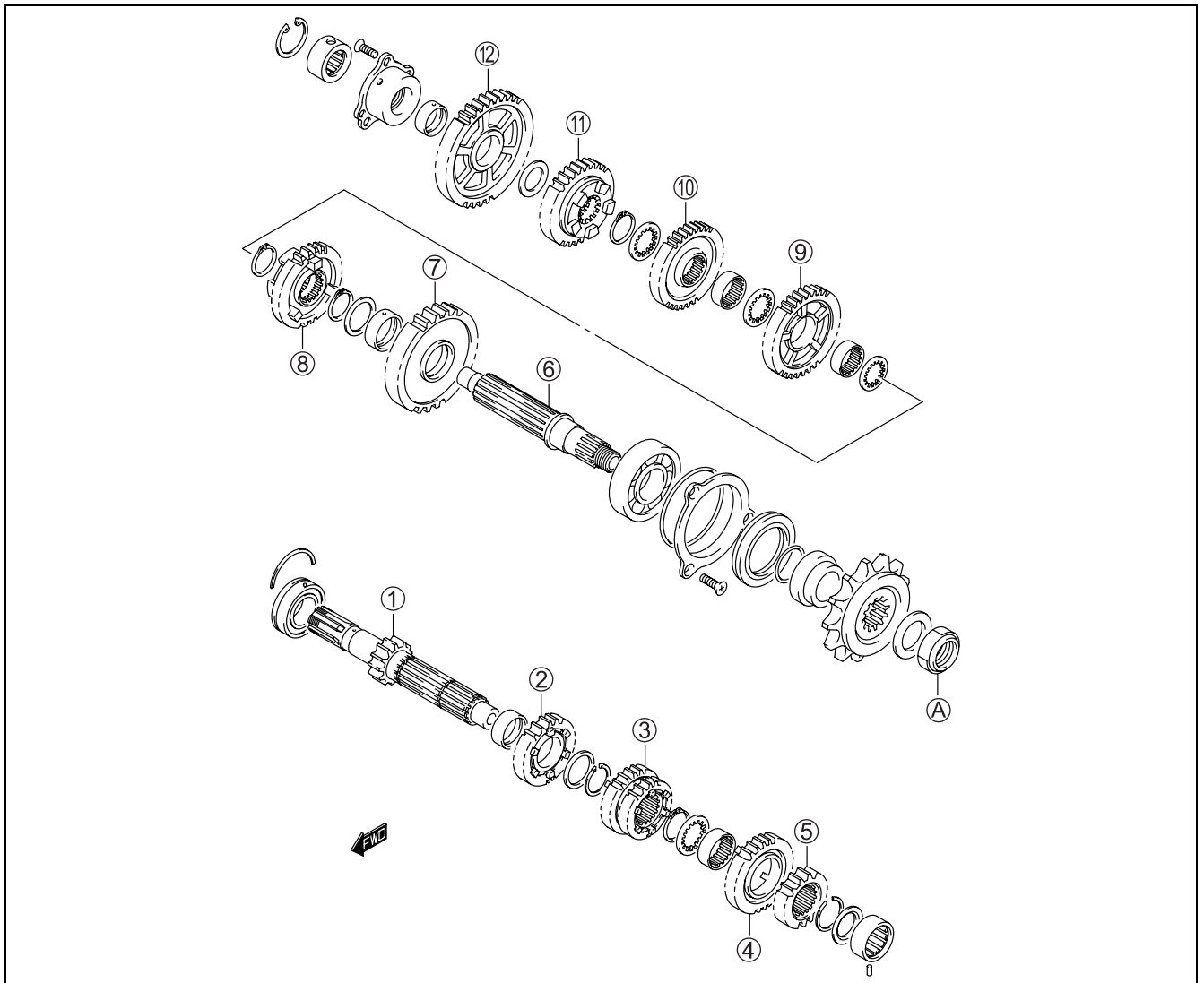
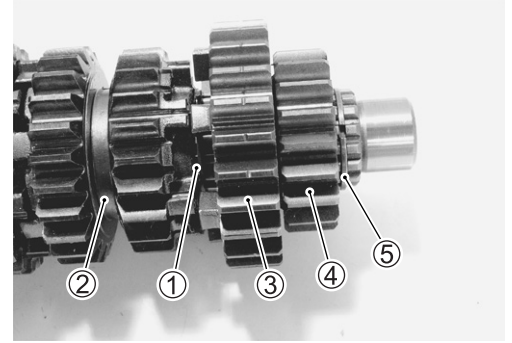
## TRANSMISSION

### DRIVESHAFT REMOVAL (👉 3-51)

#### DISASSEMBLY

Disassemble the countershaft and driveshaft. Pay attention to the following points:

- Remove the 6th drive gear snap ring ① from its groove and slide it towards the 3rd/4th drive gears ②.
- Slide the 6th ③ and 2nd ④ drive gears toward the 3rd/4th drive gears ②, then remove the 2nd drive gear circlip ⑤.



①	Countershaft/1st drive gear	⑧	6th driven gear
②	5th drive gear	⑨	3rd driven gear
③	3rd/4th drive gears	⑩	4th driven gear
④	6th drive gear	⑪	5th driven gear
⑤	2nd drive gear	⑫	1st driven gear
⑥	Driveshaft	A	Engine sprocket nut
⑦	2nd driven gear		



ITEM	N·m	kgf·m	lb·ft
A	115	11.5	83.2

**REASSEMBLY**

Assemble the countershaft and driveshaft in the reverse order of disassembly. Pay attention to the following points:

**NOTE:**

- \* Rotate the bearings by hand to inspect for smooth rotation. Replace the bearings if there is anything unusual.
- \* Before installing the gears, apply engine oil to the driveshaft and countershaft.
- \* When installing the oil seal, apply SUZUKI SUPER GREASE "A" to it.

 99000-25010: SUZUKI SUPER GREASE "A"  
(or equivalent grease)

**CAUTION**

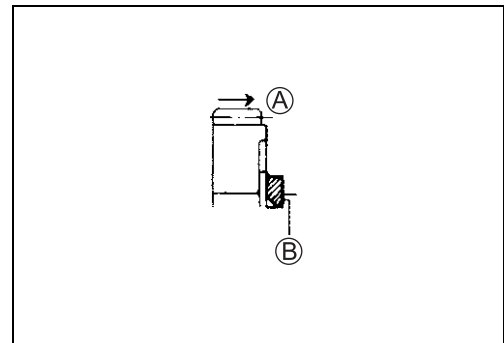
- \* Never reuse a snap ring. After a snap ring has been removed from a shaft, it should be discarded and a new snap ring must be installed.
- \* When installing a new snap ring, do not expand the end gap larger than required to slip the snap ring over the shaft.
- \* After installing a snap ring, make sure that it is completely seated in its groove and securely fitted.

**NOTE:**

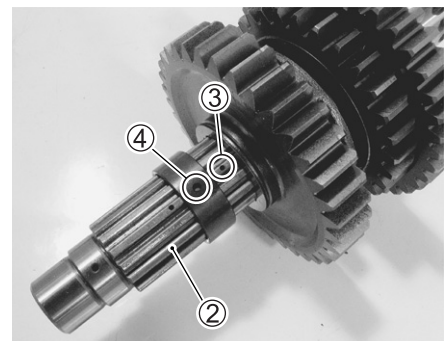
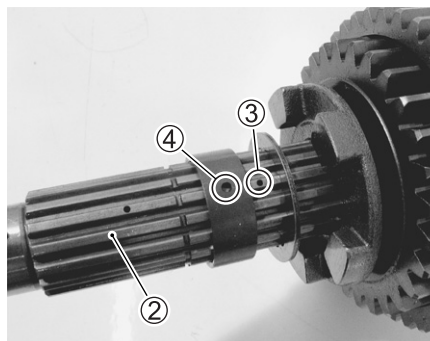
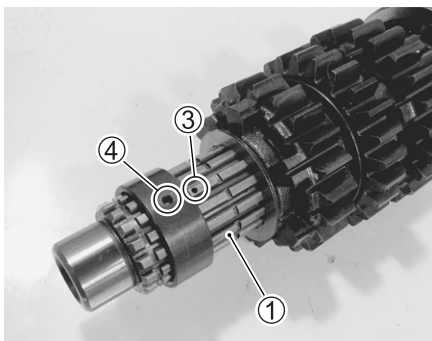
When reassembling the transmission, attention must be given to the locations and positions of washers and snap rings. The cross sectional view shows the correct position of the gears, bushings, washers and snap rings. (☞ 3-47)

- When installing a new snap ring, pay attention to its direction. Fit it to the side where the thrust is as shown in the illustration.

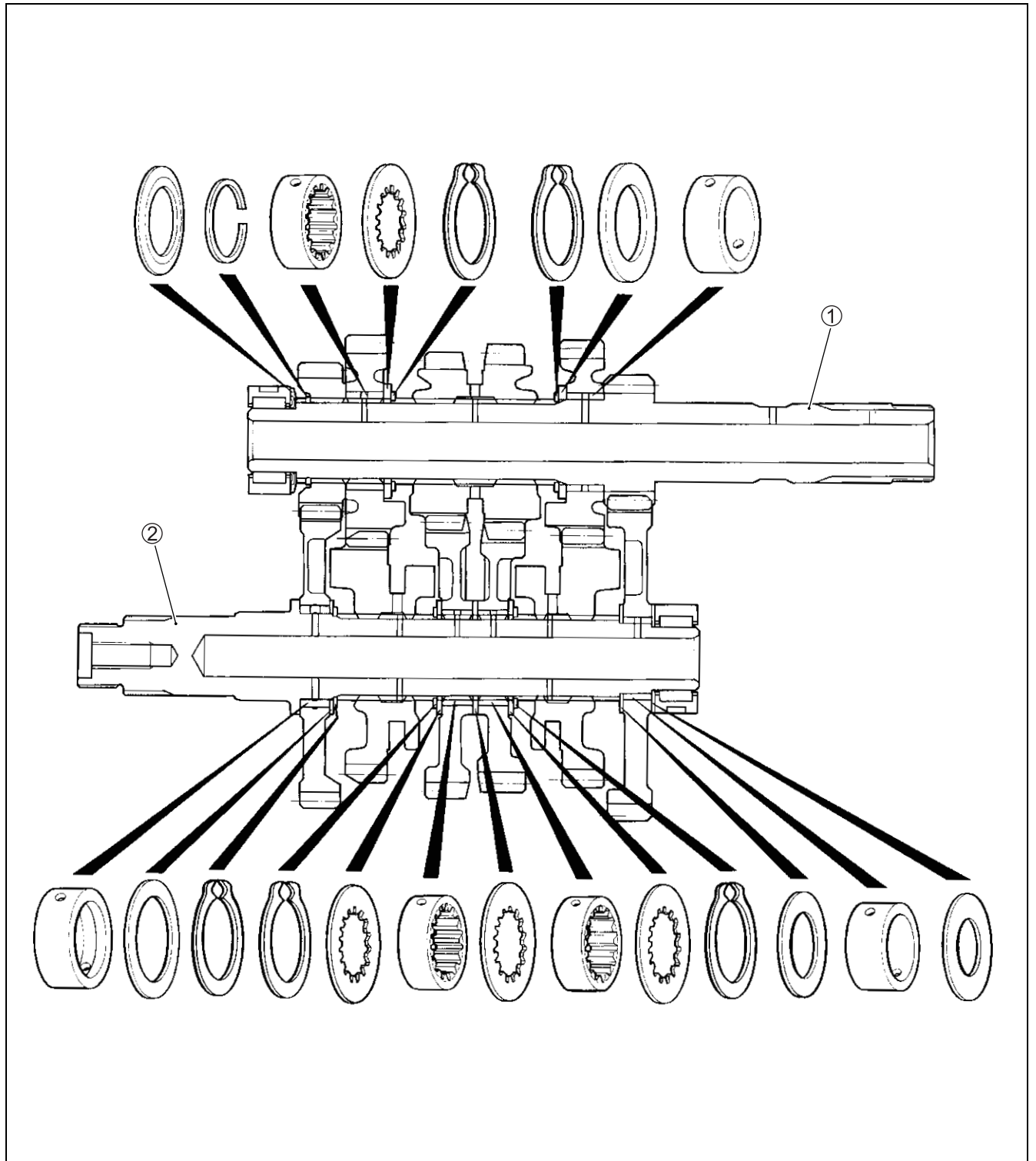
- Ⓐ Thrust
- Ⓑ Sharp edge

**CAUTION**

When installing the gear bushing onto the countershaft ① and driveshaft ②, align the shaft oil hole ③ with the bushing oil hole ④.



TRANSMISSION PARTS LOCATION



① Countershaft	② Driveshaft
----------------	--------------

## CYLINDER

### CRANKCASE SERVICING (👉 3-51)

#### CYLINDER DISTORTION

- Check the gasketed surface of the cylinder for distortion with a straightedge and thickness gauge, taking a clearance reading at several places as indicated.
- If the largest reading at any position of the straightedge exceeds the limit, replace the crankcase set.

**DATA** Cylinder distortion:

**Service Limit: 0.02 mm (0.008 in)**

**TOOL** 09900-20803: Thickness gauge

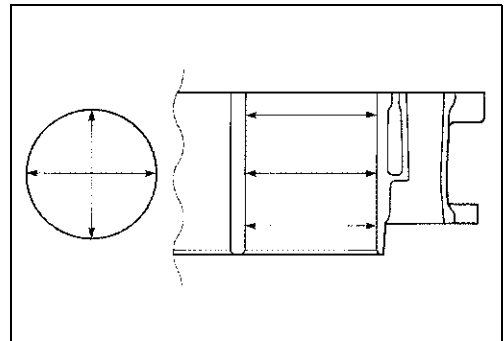
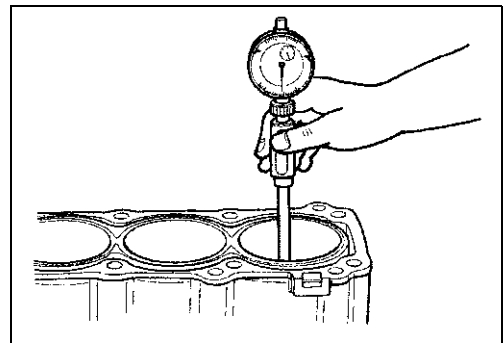
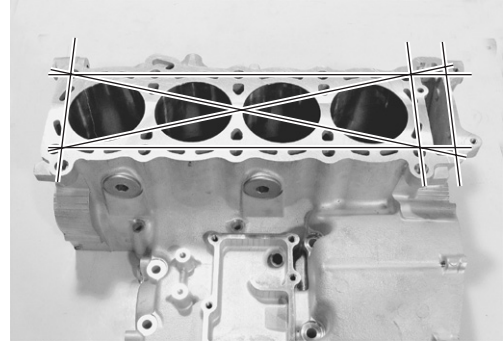
#### CYLINDER BORE

- Inspect the cylinder wall for any scratches, nicks or other damage.
- Measure the cylinder bore diameter at six places.

**DATA** Cylinder bore:

**Standard: 67.000 – 67.015 mm (2.6378 – 2.6384 in)**

**TOOL** 09900-20508: Cylinder gauge set



## PISTON AND PISTON RING

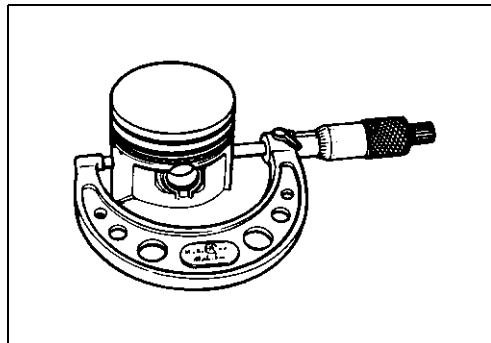
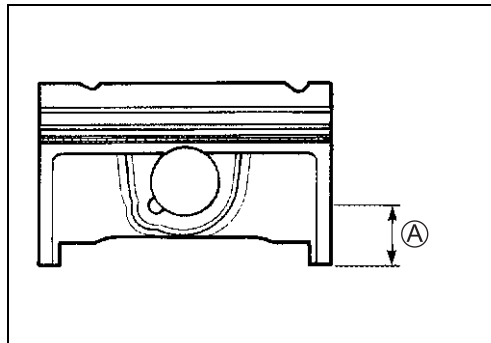
### PISTON DIAMETER

- Using a micrometer, measure the piston outside diameter at 15 mm (0.6 in) <sup>Ⓐ</sup> from the piston skirt end.
- If the measurement is less than the limit, replace the piston.

#### **DATA** Piston diameter:

**Service Limit: 66.88 mm (2.6331 in)**  
**at 15 mm (0.6 in) from the skirt end**

**TOOL** 09900-20203: Micrometer (50 – 75 mm)



### PISTON-TO-CYLINDER CLEARANCE

- Subtract the piston diameter from the cylinder bore diameter. (↗ 3-48)
- If the piston-to-cylinder clearance exceeds the service limit, replace the crankcase set or the piston, or both.

#### **DATA** Piston-to-cylinder clearance:

**Service Limit: 0.120 mm (0.0047 in)**

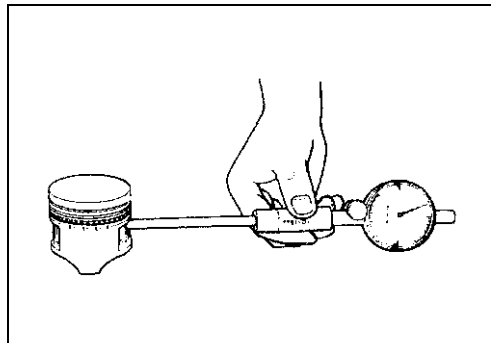
### PISTON PIN AND PIN BORE

- Measure the piston pin bore diameter using the small bore gauge.
- If the measurement is out of specification, replace the piston.

#### **DATA** Piston pin bore I.D.:

**Service Limit: 14.030 mm (0.5524 in)**

**TOOL** 09900-20602: Dial gauge (1/1000 mm)  
 09900-22401: Small bore gauge (10 – 18 mm)

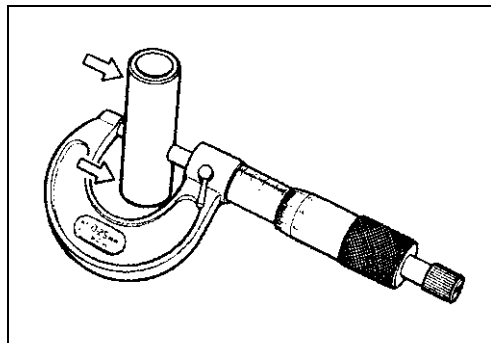


- Measure the piston pin outside diameter at three positions using the micrometer.
- If any of the measurements is out of specification, replace the piston pin.

#### **DATA** Piston pin O.D.:

**Service Limit: 13.980 mm (0.5503 in)**

**TOOL** 09900-20205: Micrometer (0 – 25 mm)





**PISTON RING-TO-GROOVE CLEARANCE**

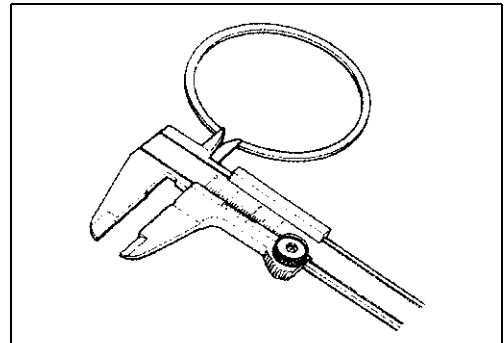
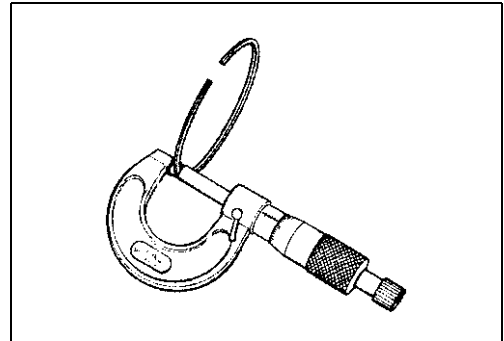
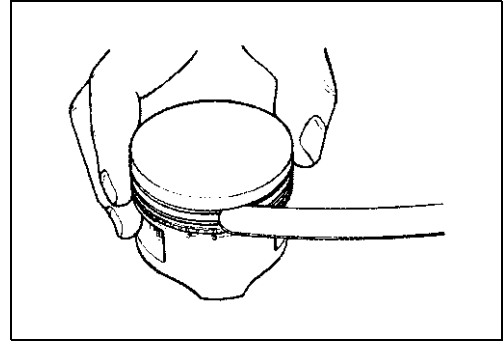
- Measure the side clearances of the 1st and 2nd piston rings using the thickness gauge.
- If any of the clearances exceeds the limit, replace both the piston and piston rings.

**TOOL** 09900-20803: Thickness gauge  
09900-20205: Micrometer (0 – 25 mm)

**DATA** Piston ring-to-groove clearance:  
Service Limit (1st) : 0.180 mm (0.0071 in)  
(2nd) : 0.150 mm (0.0059 in)

**DATA** Piston ring groove width:  
Standard (1st) : 1.01 – 1.03 mm (0.0398 – 0.0406 in)  
(2nd) : 0.81 – 0.83 mm (0.0319 – 0.0327 in)  
(Oil) : 1.51 – 1.53 mm (0.0594 – 0.0602 in)

**DATA** Piston ring thickness:  
Standard (1st) : 0.97 – 0.99 mm (0.0382 – 0.0390 in)  
(2nd) : 0.77 – 0.79 mm (0.0303 – 0.0311 in)

**PISTON RING FREE END GAP AND PISTON RING END GAP**

- Measure the piston ring free end gap using the vernier calipers.

- Next, fit the piston ring squarely into the cylinder and measure the piston ring end gap using the thickness gauge.
- If any of the measurements exceeds the service limit, replace the piston ring with a new one.

**DATA** Piston ring free end gap:  
Service Limit (1st) : 4.4 mm (0.17 in)  
(2nd) : 6.8 mm (0.27 in)

**TOOL** 09900-20102: Vernier calipers

**DATA** Piston ring end gap:  
Service Limit (1st) : 0.50 mm (0.020 in)  
(2nd) : 0.50 mm (0.020 in)

**TOOL** 09900-20803: Thickness gauge

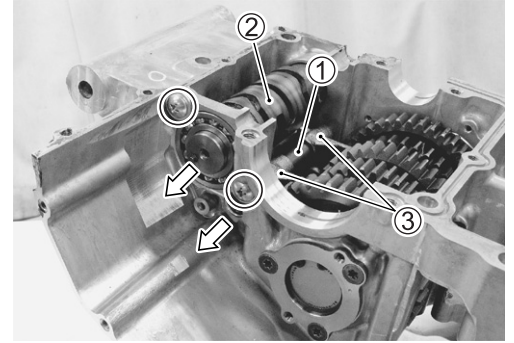


## CRANKCASE

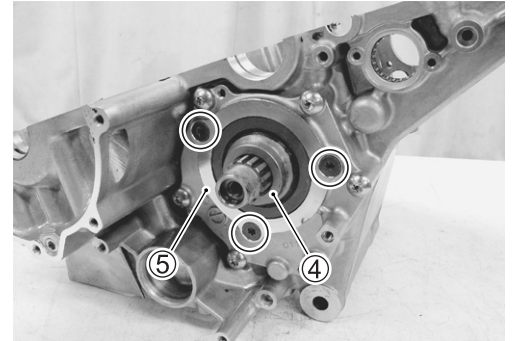
### DRIVESHAFT AND GEARSHIFT CAM

#### Removal

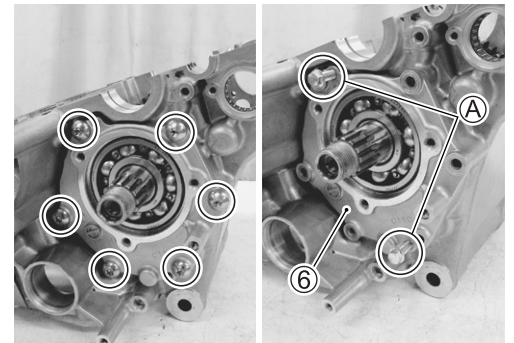
- Remove the screws.
- Remove the gearshift fork shaft ①, gearshift cam ② and gearshift forks ③.



- Remove the spacer ④.
- Remove the driveshaft left bearing dust seal ⑤.



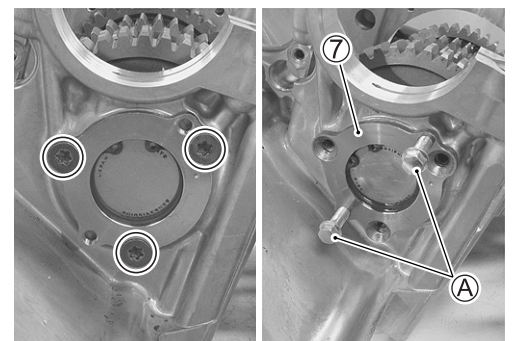
- Remove the driveshaft left bearing case bolts.
- By using suitable size bolts (A), remove the driveshaft left bearing case ⑥.



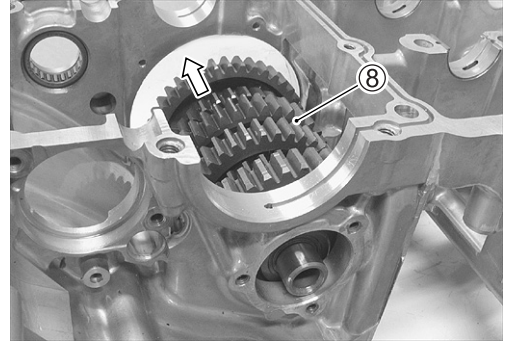
- Remove the dowel pin.



- Remove the driveshaft right bearing case bolts.
- By using suitable size bolts (A), remove the driveshaft right bearing assembly ⑦.



- Remove the driveshaft assembly ⑧.



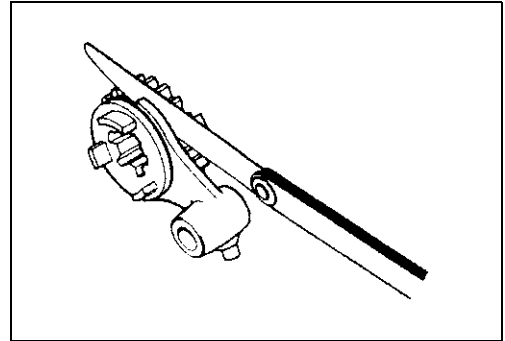
### GEARSHIFT FORK-TO-GROOVE CLEARANCE

- Using a thickness gauge, check the gearshift fork clearance in the groove of its gear.
- The clearance for each gearshift fork plays an important role in the smoothness and positiveness of the shifting action.

**DATA** Shift fork-to-groove clearance:  
Service Limit: 0.5 mm (0.02 in)

**TOOL** 09900-20803: Thickness gauge

- If the clearance checked is noted to exceed the limit specified, replace the fork or its gear, or both.

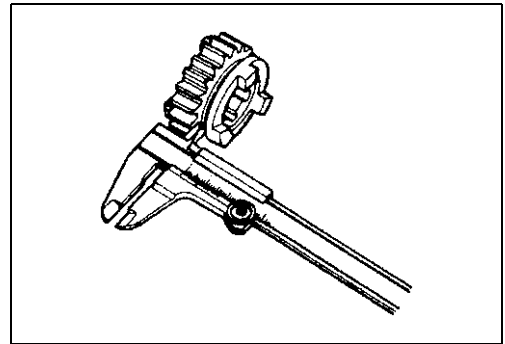


### GEARSHIFT FORK GROOVE WIDTH

- Measure the gearshift fork groove width using the vernier calipers.

**DATA** Shift fork groove width:  
Standard: 5.0 – 5.1 mm (0.197 – 0.201 in)

**TOOL** 09900-20102: Vernier calipers

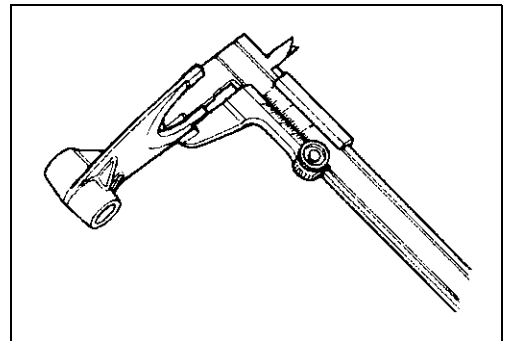


### GEARSHIFT FORK THICKNESS

- Measure the gearshift fork thickness using the vernier calipers.

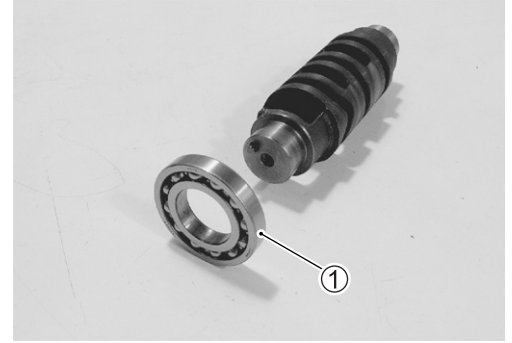
**DATA** Shift fork thickness:  
Standard: 4.8 – 4.9 mm (0.189 – 0.193 in)

**TOOL** 09900-20102: Vernier calipers

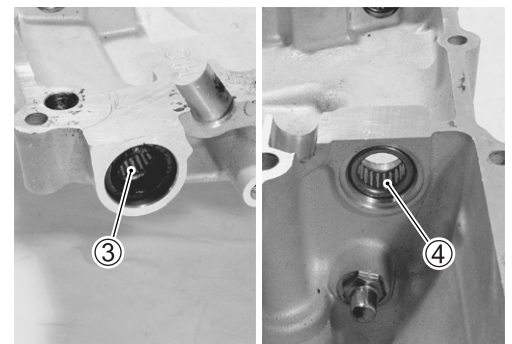
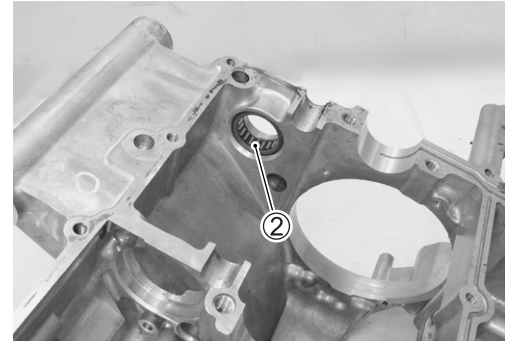


**BEARING AND DUST SEAL****Inspection**

- Inspect the gearshift cam bearing ① for abnormal noise and smooth rotation.
- Replace the bearings if there is anything unusual.



- Inspect the gearshift cam bearing ②, gearshift shaft bearings ③ (LH) and ④ (RH) for abnormal noise and smooth rotation while they are in the crankcase.
- Replace the bearing if there is anything unusual.



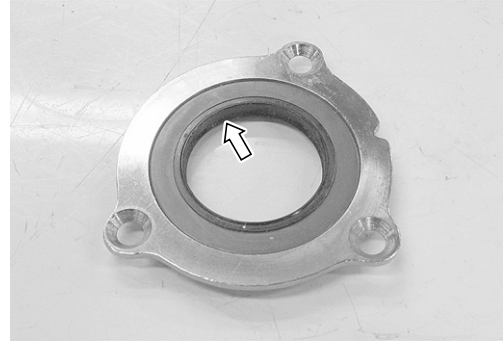
- Inspect the driveshaft left bearing for abnormal noise and smooth rotation while it is in the case.
- Replace the bearing if there is anything unusual.



- Inspect the driveshaft right bearing for abnormal noise and smooth rotation.
- If there is anything unusual, replace the bearing assembly.



- Inspect the driveshaft left bearing dust seal for wear and damage.
- Replace the dust seal if there is anything unusual.



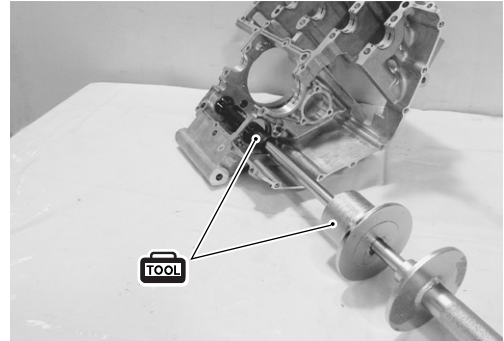
**Removal**

- Remove the gearshift cam bearing with the special tools.

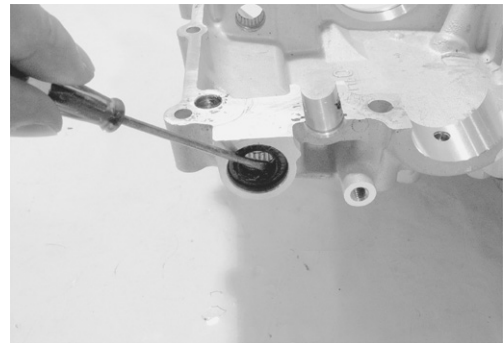
**TOOL** 09923-74511: Bearing remover  
 09930-30104: Sliding shaft

**CAUTION**

**Be careful not to lean the bearing remover.**

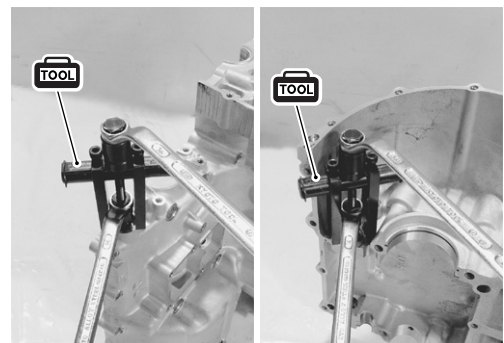


- Remove the oil seal. (LH only)



- Remove the gearshift shaft bearings with the special tool.

**TOOL** 09921-20240: Bearing remover set (15 mm)




- Remove the bearing with the special tool.

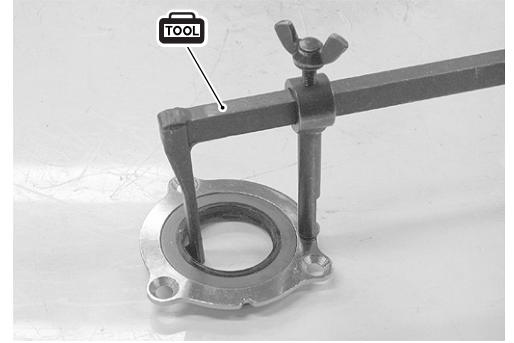
**TOOL** 09913-70210: Bearing installer set ( $\phi 62$ )





- Remove the driveshaft left bearing dust seal from the retainer using the special tool.

 **09913-50121: Oil seal remover**



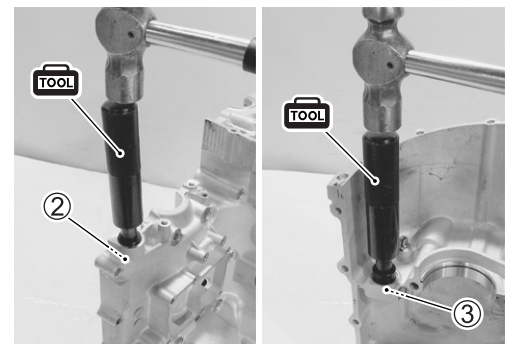
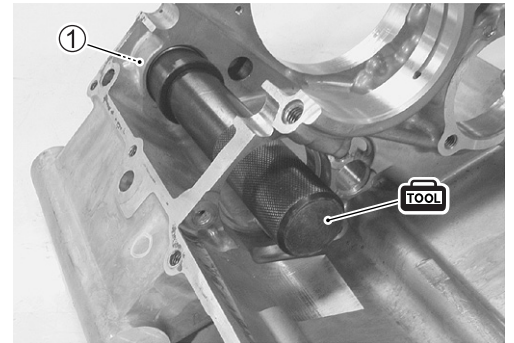
### Installation

- Install the bearings with the special tool.

 **09913-70210: Bearing installer set** (①  $\phi 32$ )  
(②, ③  $\phi 20$ )

#### NOTE:

*The stamped mark side of the gearshift shaft bearing faces outside.*

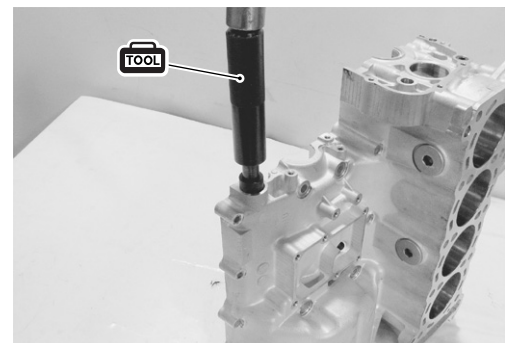


- Install new oil seal with the special tool.

 **09913-70210: Bearing installer set** ( $\phi 22$ )

- Apply SUZUKI SUPER GREASE "A" to the oil seal lip.

 **99000-25010: SUZUKI SUPER GREASE "A"**  
(or equivalent grease)



- Install the bearing with the special tool.

 **09913-70210: Bearing installer set** ( $\phi 68$ )

#### NOTE:

*The stamped mark side of the driveshaft left bearing faces outside.*





- Install the driveshaft left bearing dust seal with the special tool.

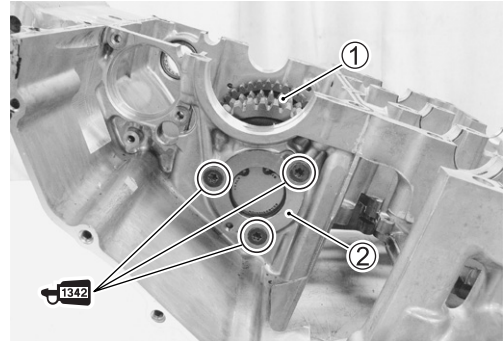
 **09913-70210: Bearing installer set ( $\phi 62$ )**



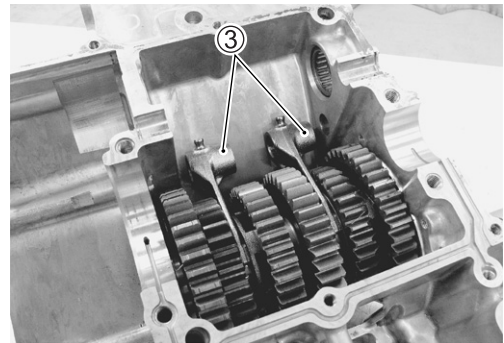
- Put the driveshaft assembly ① into the lower crankcase.
- Install the driveshaft right bearing assembly ②.
- Apply THREAD LOCK to the bolts and tighten them to the specified torque.

 **99000-32050: THREAD LOCK "1342"**

 **Driveshaft right bearing case bolt:**  
**12 N·m (1.2 kgf-m, 8.7 lb-ft)**




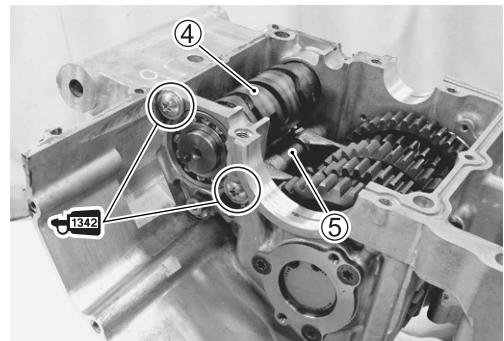
- Install the gearshift forks ③ as shown.



- Install the gearshift cam ④ with the bearing fitted.
- With engaging each fork end to the cam groove, insert the fork shaft ⑤.
- Apply THREAD LOCK to the screws and tighten them to the specified torque.

 **99000-32050: THREAD LOCK "1342"**


 **Bearing retainer screw: 10 N·m (1.0 kgf-m, 7.0 lb-ft)**

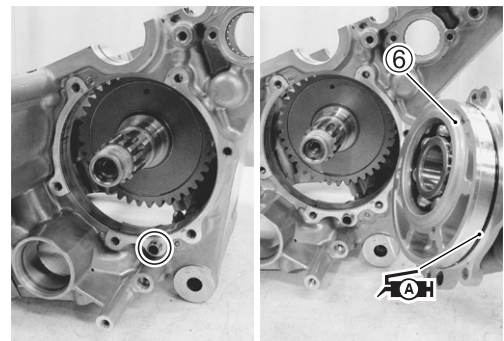


- Install the dowel pin.
- Apply SUZUKI SUPER GREASE "A" to the O-ring and fit the driveshaft left bearing case ⑥.

#### CAUTION

Replace the O-ring with a new one.

 **99000-25010: SUZUKI SUPER GREASE "A"**  
**(or equivalent grease)**

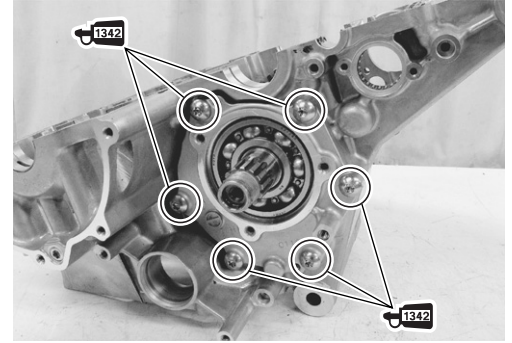


- Apply THREAD LOCK to the bolts and tighten them to the specified torque.

 99000-32050: THREAD LOCK “1342”

 TOOL

 Driveshaft left bearing case bolt:  
12 N·m (1.2 kgf-m, 8.7 lb-ft)



- Apply SUZUKI SUPER GREASE “A” to the dust seal lip and O-ring.
- Apply THREAD LOCK to the bolts and tighten them to the specified torque.

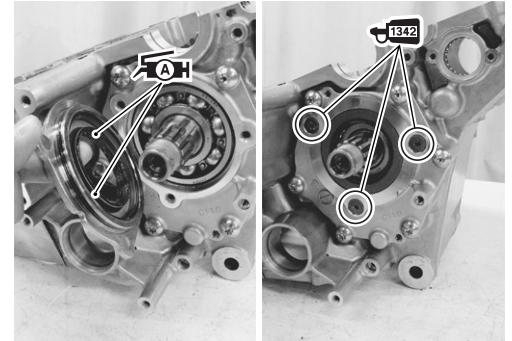
 99000-25010: SUZUKI SUPER GREASE “A”  
(or equivalent grease)

 99000-32050: THREAD LOCK “1342”

 Driveshaft retainer bolt: 12 N·m (1.2 kgf-m, 8.7 lb-ft)

#### CAUTION

Replace the O-ring with a new one.



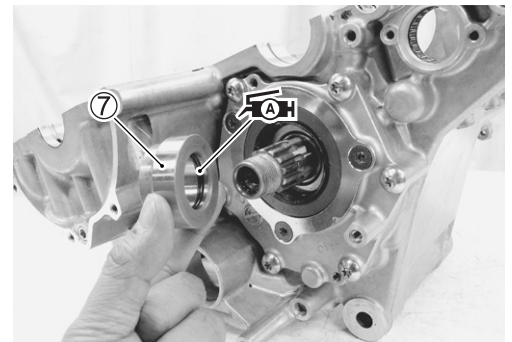
- Apply SUZUKI SUPER GREASE “A” to the O-ring.

 99000-25010: SUZUKI SUPER GREASE “A”  
(or equivalent grease)

#### CAUTION

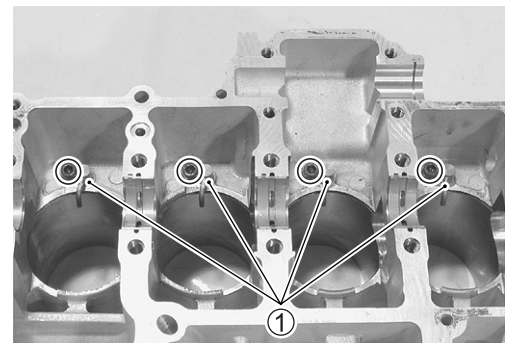
Replace the O-ring with a new one.

- Install the spacer ⑦.

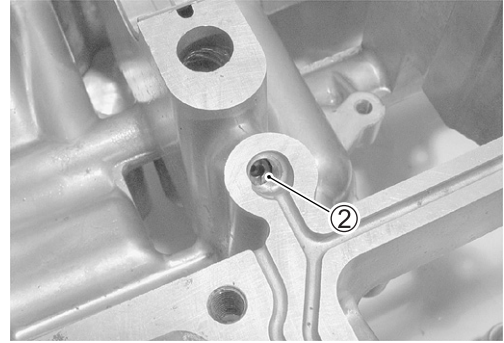


### OIL JET Removal

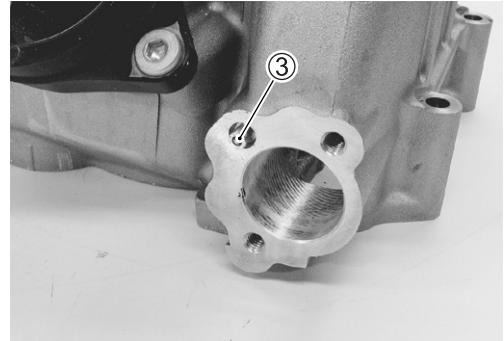
- Remove the piston cooling oil jets ① from the upper crankcase.



- Remove the oil jet ② (for transmission) from the lower crankcase.

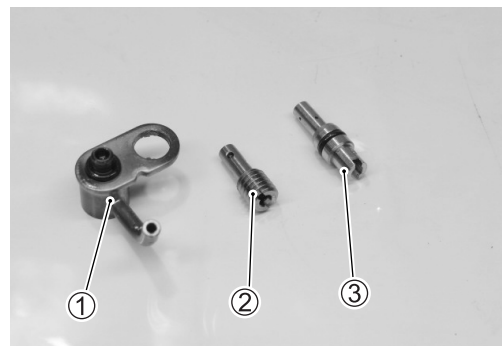


- Remove the oil jet ③ (for cam chain tension adjuster) from the cylinder head.



**Inspection and cleaning**

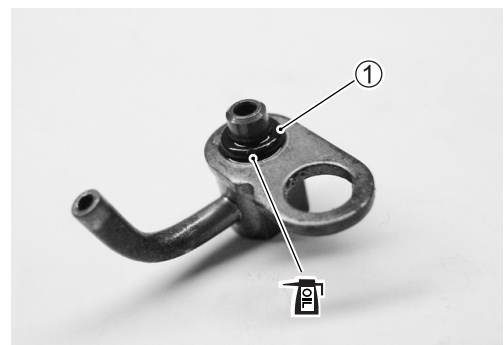
- Check the oil jets for clogging.
- If they are clogged, clean their oil passage with a proper wire and compressed air.



- ① Piston cooling oil jet
- ② Oil jet (#14) (For transmission)
- ③ Oil jet (#8) (For cam chain tension adjuster)

**Installation**

- Fit new O-ring ① to each piston cooling oil jet as shown and apply engine oil to them.



**CAUTION**

**Use new O-rings to prevent oil pressure leakage.**

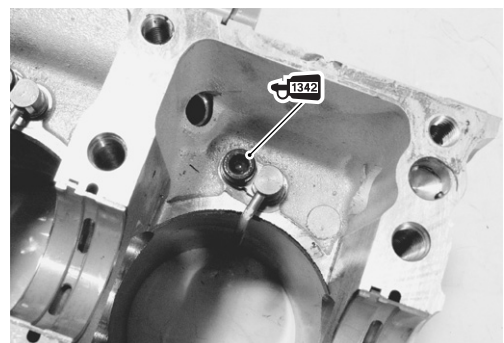
- Install each piston cooling oil jet.

**NOTE:**

Apply a small quantity of **THREAD LOCK** to the bolts and tighten them to the specified torque.

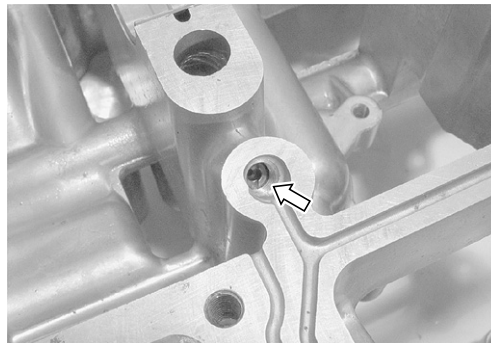
 99000-32050: **THREAD LOCK "1342"**

 **Piston cooling oil jet bolt: 10 N·m (1.0 kgf-m, 7.0 lb-ft)**

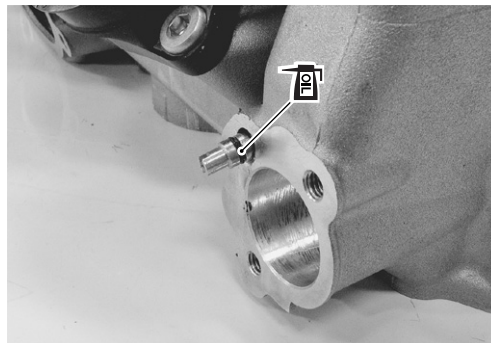




- Install the oil jet (for transmission).

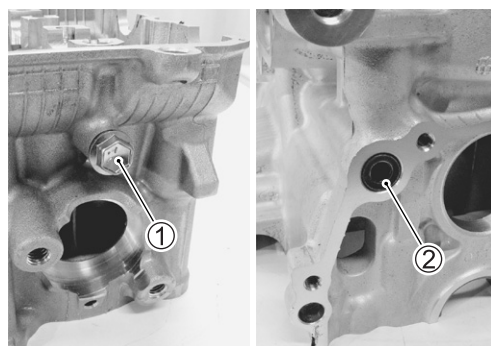


- Apply engine oil to the O-ring.
- Install the oil jet (for cam chain tension adjuster).

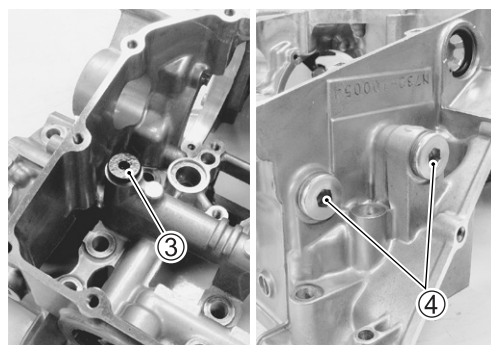


### PLUG Removal

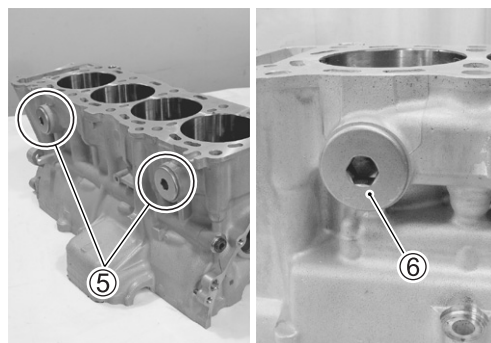
- Remove the oil gallery plugs ① and ②.



- Remove the oil gallery plugs ③ and ④.



- Remove the water jacket plugs ⑤ and ⑥.



**Installation**

- Apply THREAD LOCK to the oil gallery plug ②.

 **99000-32050: THREAD LOCK “1342”**


**NOTE:**

- \* It is not required to apply *THREAD LOCK* when installing the other removed oil gallery plugs.
- \* After tightening the plug ②, make sure that the plug end is flush with the cover mating surface.

- Apply engine coolant to the O-rings of the water jacket plugs ⑤ and ⑥.

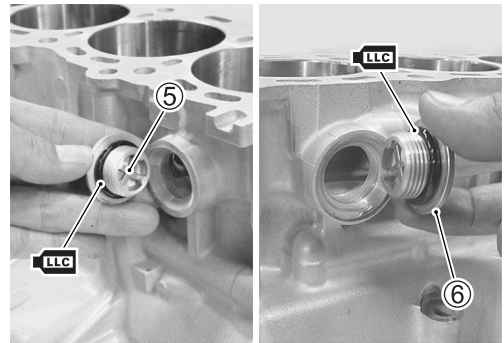
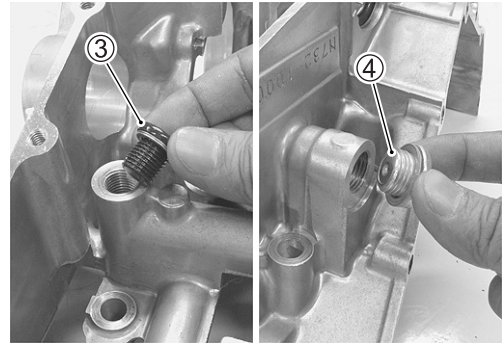
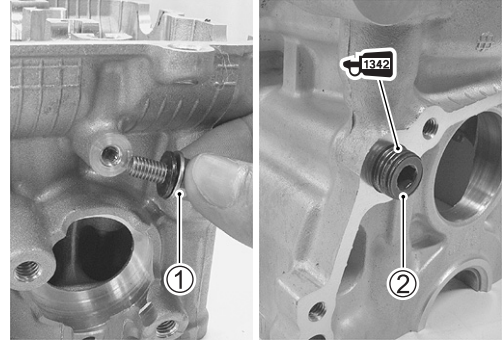
 **99000-99032-11X: SUZUKI COOLANT (Except USA)**

- Tighten each plug to the specified torque.

-  ① Oil gallery plug: 10 N·m (1.0 kgf-m, 7.0 lb-ft)
- ② Oil gallery plug: 22 N·m (2.2 kgf-m, 16.0 lb-ft)
- ③ Oil gallery plug: 15 N·m (1.5 kgf-m, 11.0 lb-ft)
- ④ Oil gallery plug: 35 N·m (3.5 kgf-m, 25.5 lb-ft)
- ⑤ Water jacket plug: 9.5 N·m (0.95 kgf-m, 6.9 lb-ft)
- ⑥ Water jacket plug: 9.5 N·m (0.95 kgf-m, 6.9 lb-ft)

**CAUTION**

Use new gasket or O-ring for each plug.



## CRANKSHAFT AND CONROD

### CRANKSHAFT RUNOUT

- Support the crankshaft with V-blocks as shown, with the two end journals resting on the blocks.
- Set up the dial gauge, as shown.
- Rotate the crankshaft slowly to read the runout.
- Replace the crankshaft if the runout is greater than the limit.

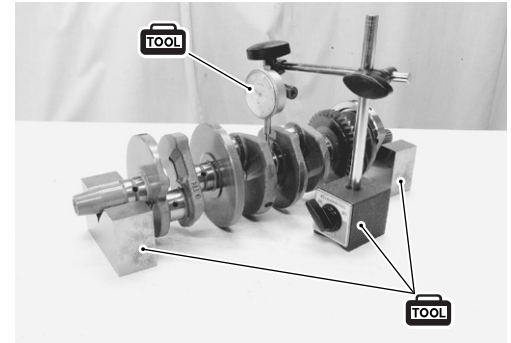
#### **DATA** Crankshaft runout:

Service Limit: 0.05 mm (0.002 in)

**TOOL** 09900-20607: Dial gauge (1/100 mm, 10 mm)

09900-20701: Magnetic stand

09900-21304: V-block set (100 mm)



### CONROD SMALL END I.D.

- Using a small bore gauge, measure the inside diameter of the conrod small end.

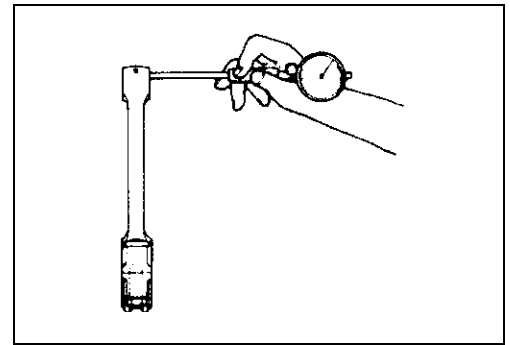
#### **DATA** Conrod small end I.D.:

Service Limit: 14.040 mm (0.5528 in)

**TOOL** 09900-20602: Dial gauge (1/1000 mm, 1 mm)

09900-22401: Small bore gauge (10 – 18 mm)

- If the inside diameter of the conrod small end exceeds the limit, replace the conrod.



### CONROD BIG END SIDE CLEARANCE

- Inspect the conrod side clearance by using a thickness gauge.
- If the clearance exceeds the limit, remove the conrod and inspect the conrod big end width and the crank pin width.
- If the width exceed the limit, replace conrod or crankshaft.

#### **DATA** Conrod big end side clearance:

Service Limit: 0.30 mm (0.012 in)

**TOOL** 09900-20803: Thickness gauge

#### **DATA** Conrod big end width:

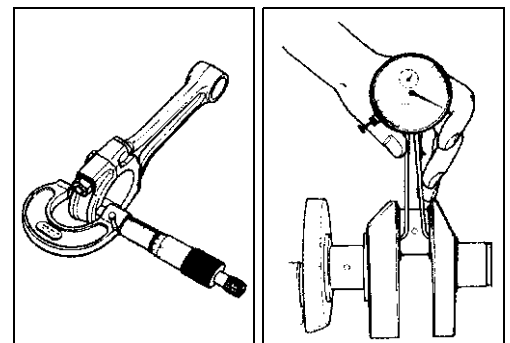
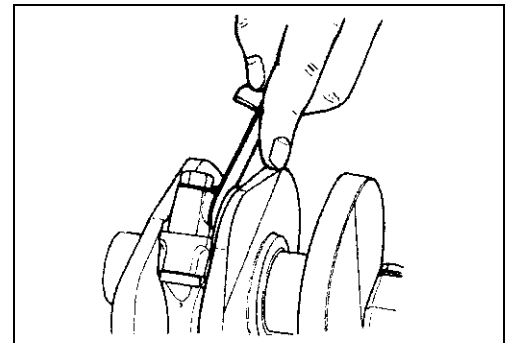
Standard: 19.95 – 20.00 mm (0.7854 – 0.7874 in)

**TOOL** 09900-20205: Micrometer (0 – 25 mm)

#### **DATA** Crank pin width:

Standard: 20.10 – 20.15 mm (0.7913 – 0.7933 in)

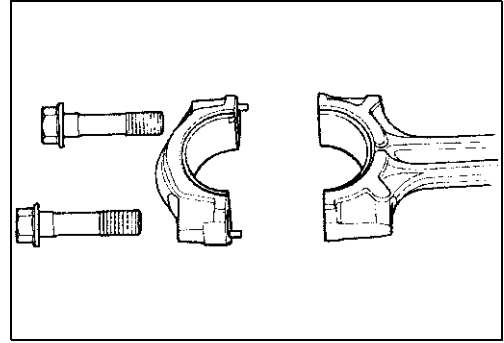
**TOOL** 09900-20605: Dial calipers (1/100 mm, 10 – 34 mm)





**CONROD-BIG END BEARING INSPECTION**

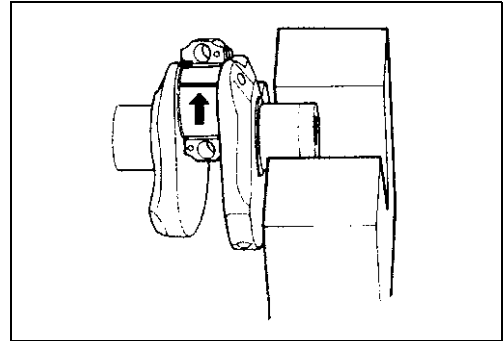
- Inspect the bearing surfaces for any sign of fusion, pitting, burn, or flaws. If any, replace them with a specified set of bearings.

**CONROD-BIG END BEARING SELECTION**

- Place the plastigauge axially along the crank pin, avoiding the oil hole, as shown.

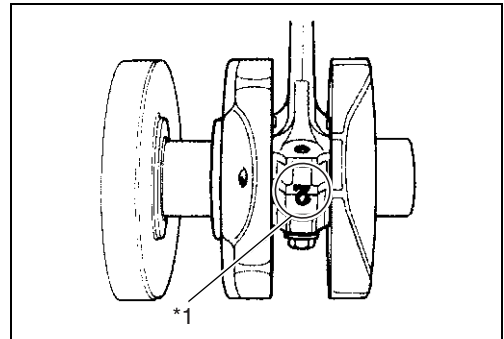
**TOOL 09900-22301: Plastigauge**

- Tighten the conrod cap bolts to the specified torque, in two stages. (↔ 3-73)

**CAUTION**

- \* Apply engine oil to the bearing cap bolt.
- \* Never rotate the crankshaft or conrod when a piece of plastigauge is installed.

\*1: The number faces the intake side.



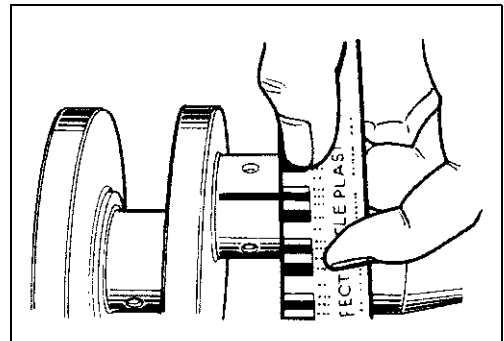
- Remove the bearing caps and measure the width of the compressed plastigauge using the envelope scale. This measurement should be taken at the widest part of the compressed plastigauge.

**DATA Conrod big end oil clearance:**

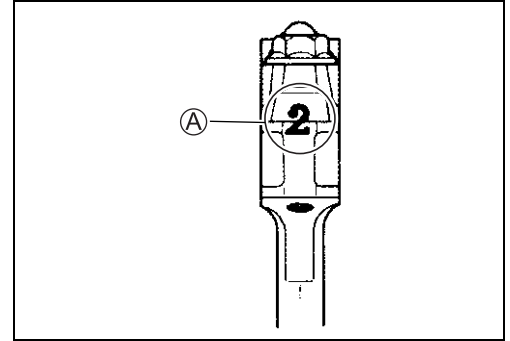
**Standard: 0.032 – 0.056 mm (0.0013 – 0.0022 in)**

**Service Limit: 0.080 mm (0.0031 in)**

- If the oil clearance exceeds the service limit, select the specified bearings from the bearing selection table.



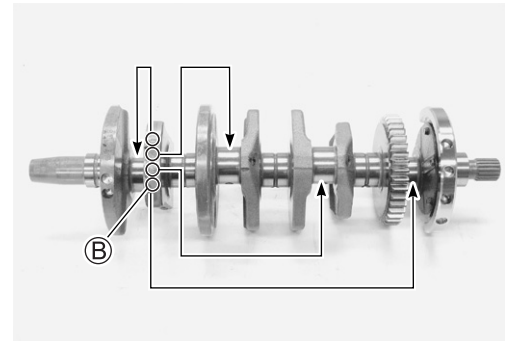
- Check the corresponding conrod I.D. code number (“1” or “2”) **(A)**.



- Check the corresponding crank pin O.D. code number (“1”, “2” or “3”) **(B)**.

**DATA Bearing selection table**

		Crank pin O.D. <b>(B)</b>		
		1	2	3
Conrod I.D. <b>(A)</b>	1	Green	Black	Brown
	2	Black	Brown	Yellow

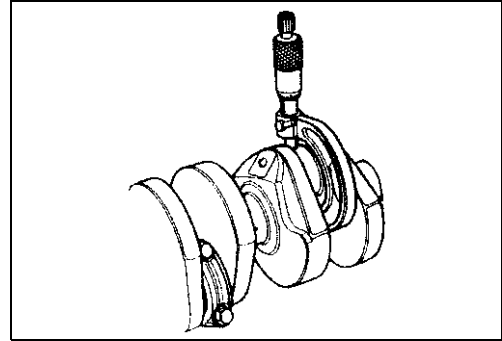


**DATA Conrod I.D.**

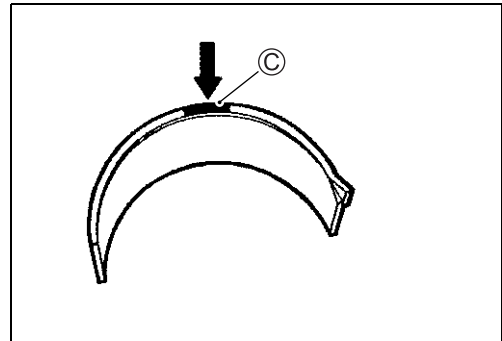
Code	I.D. specification
1	34.000 – 34.008 mm (1.3386 – 1.3389 in)
2	34.008 – 34.016 mm (1.3389 – 1.3392 in)

**DATA** Crank pin O.D.

Code	O.D. specification
1	30.992 – 31.000 mm (1.2202 – 1.2205 in)
2	30.984 – 30.992 mm (1.2198 – 1.2202 in)
3	30.976 – 30.984 mm (1.2195 – 1.2198 in)

**TOOL** 09900-20202: Micrometer (25 – 50 mm)**DATA** Bearing thickness

Color © (Part No.)	Thickness
Yellow (12164-29G00-0D0)	1.492 – 1.496 mm (0.0587 – 0.0589 in)
Brown (12164-29G00-0C0)	1.488 – 1.492 mm (0.0586 – 0.0587 in)
Black (12164-29G00-0B0)	1.484 – 1.488 mm (0.0584 – 0.0586 in)
Green (12164-29G00-0A0)	1.480 – 1.484 mm (0.0583 – 0.0584 in)

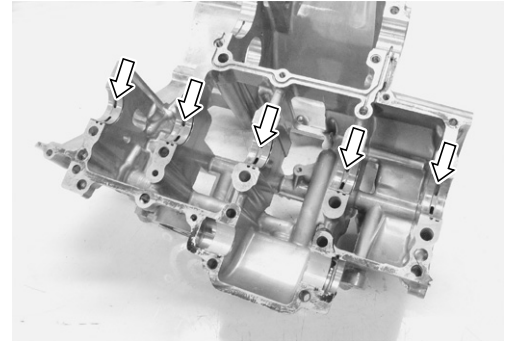
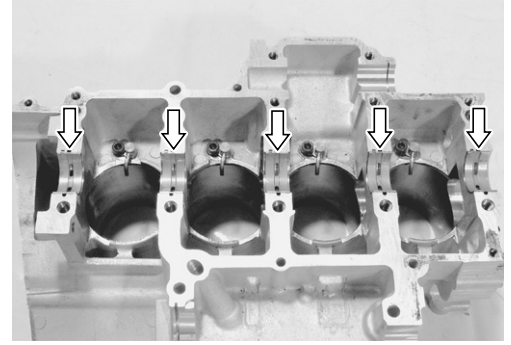
**CAUTION**

The bearings must be replaced as a set.

## CRANKSHAFT JOURNAL BEARING

### INSPECTION

- Inspect each bearing of upper and lower crankcases for any damage.



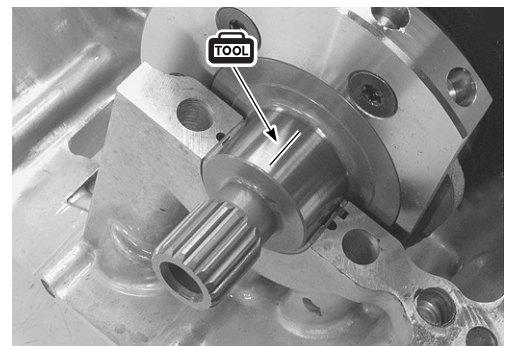
### SELECTION

- Place the plastigauge axially along the crankshaft journal, avoiding the oil hole, as shown.

**TOOL** 09900-22301: Plastigauge

### CAUTION

**Never rotate the crankshaft when a piece of plastigauge is installed.**

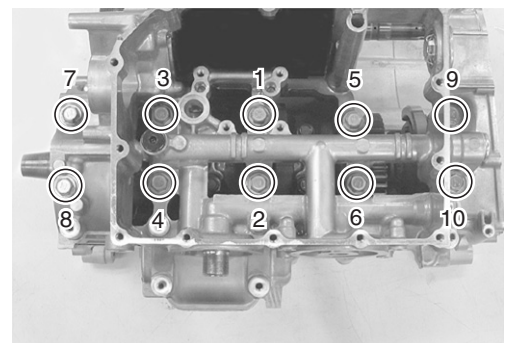


- Mate the lower crankcase with the upper crankcase.
- Tighten the crankshaft journal bolts (M9) in ascending order of numbers assigned to these bolts. Tighten each bolt a little at a time to equalize the pressure.

**U** Crankshaft journal bolt: (M9)

**Initial : 18 N·m (1.8 kgf-m, 13.0 lb-ft)**

**Final : 50°**



- Remove the lower crankcase and measure the width of the compressed plastigauge using the envelope scale. This measurement should be taken at the widest part of the compressed plastigauge.

**DATA** Crankshaft journal oil clearance:

**Standard: 0.010 – 0.028 mm (0.0004 – 0.0011 in)**

**Service Limit: 0.080 mm (0.0031 in)**

- If the oil clearance exceeds the service limit, select the specified bearings from the bearing selection table.



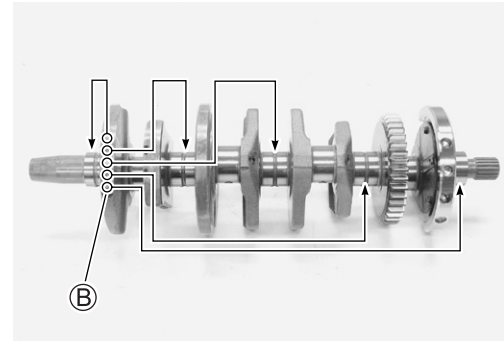
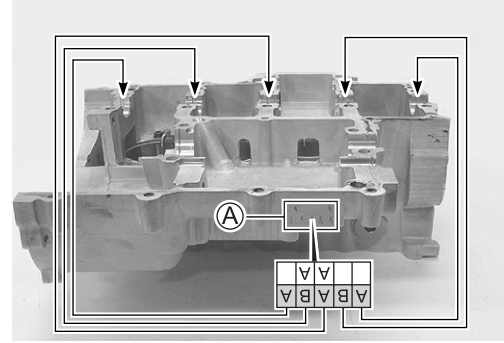
- Check the corresponding crankcase journal I.D. code number (A), "A", "B" or "C" which is stamped on the rear of upper crankcase.
- Check the corresponding crankshaft journal O.D. code number (B), "A", "B" or "C" which is stamped on the crankshaft.

**DATA** Bearing selection table

		Crankshaft journal O.D. (B)		
		A	B	C
Crankcase I.D. (A)	A	Green	Black	Brown
	B	Black	Brown	Yellow
	C	Brown	Yellow	Blue

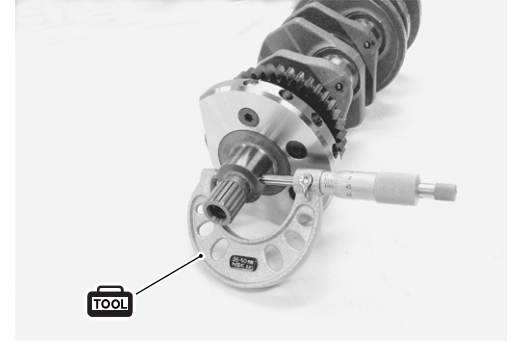
**DATA** Crankcase I.D. specification

Code	I.D. specification
A	33.000 – 33.006 mm (1.29921 – 1.29945 in)
B	33.007 – 33.012 mm (1.29949 – 1.29968 in)
C	33.013 – 33.018 mm (1.29972 – 1.29992 in)



**DATA** Crankshaft journal O.D. specification

Code	O.D. specification
A	29.994 – 30.000 mm (1.18086 – 1.18110 in)
B	29.988 – 29.994 mm (1.18062 – 1.18086 in)
C	29.982 – 29.988 mm (1.18039 – 1.18062 in)

**TOOL** 09900-20202: Micrometer (25 – 50 mm)**DATA** Bearing thickness specification

Color (Part No.)	Thickness
Blue (12229-01H00-0E0)	1.504 – 1.507 mm (0.0592 – 0.0593 in)
Yellow (12229-01H00-0D0)	1.501 – 1.504 mm (0.0591 – 0.0592 in)
Brown (12229-01H00-0C0)	1.498 – 1.501 mm (0.0590 – 0.0591 in)
Black (12229-01H00-0B0)	1.495 – 1.498 mm (0.0589 – 0.0590 in)
Green (12229-01H00-0A0)	1.492 – 1.495 mm (0.0587 – 0.0589 in)

**NOTE:**

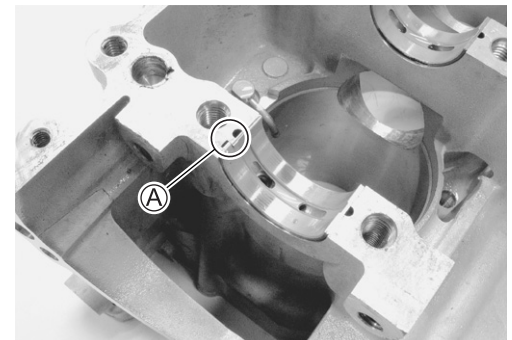
Upper and lower crankshaft journal bearings are the same.

**INSTALLATION**

- When fitting the crankshaft journal bearings to the upper and middle crankcases, be sure to fix the stopper part (A) first and press the other end.

**CAUTION**

**Do not touch the bearing surfaces with your hands.  
Grasp by the edge of the bearing shell.**





## CRANKSHAFT THRUST BEARING

- With the crankshaft, right-side thrust bearing and left-side thrust bearing inserted in the upper crankcase, measure the thrust clearance on the left side by using the thickness gauge.

- Ⓐ: Left-side thrust bearing
- Ⓑ: Right-side thrust bearing

### NOTE:

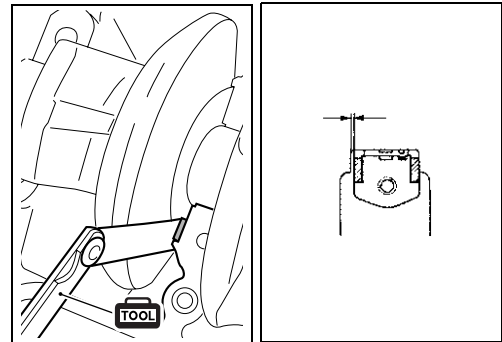
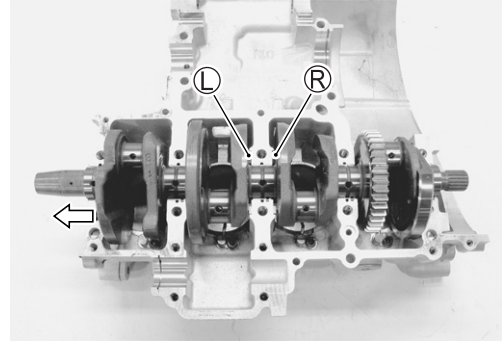
Pull the crankshaft to the generator side, so that there is no clearance on the right-side thrust bearing.

### DATA Thrust clearance:

Standard: 0.055 – 0.110 mm (0.0022 – 0.0043 in)

### TOOL 09900-20803: Thickness gauge

- If the thrust clearance exceeds the standard range, adjust the thrust clearance by the following procedures.



## CRANKSHAFT THRUST CLEARANCE ADJUSTMENT

- Remove the right-side thrust bearing and measure its thickness with a micrometer.
- If the thickness of the right-side thrust bearing is below standard, replace it with a new one and once again perform the thrust clearance measurement listed above, checking to make sure it is within standard.

### DATA Right-side thrust bearing thickness:

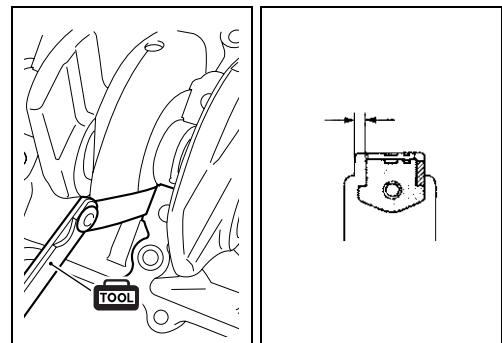
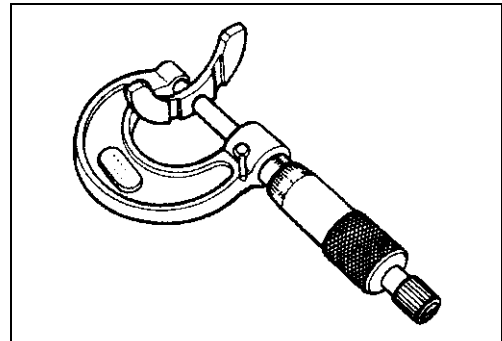
Standard: 2.425 – 2.450 mm (0.0955 – 0.0965 in)

### TOOL 09900-20205: Micrometer (0 – 25 mm)

- If the right-side thrust bearing is within the standard range, reinsert the right-side thrust bearing and remove the left-side thrust bearing.
- As shown in the illustration, measure the clearance by using a thickness gauge before inserting the left-side thrust bearing.

### TOOL 09900-20803: Thickness gauge

- Select a left-side thrust bearing from the selection table.  
(☞ 3-69)



**DATA** Thrust bearing selection table

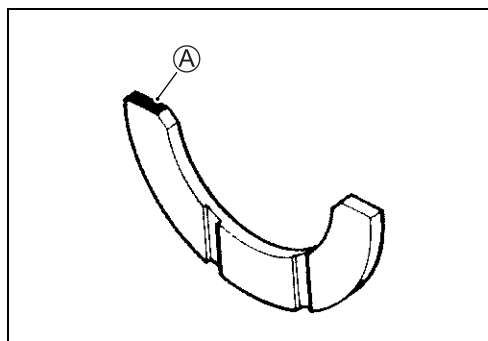
Clearance before inserting left-side thrust bearing	Color (Part No.)	Thrust bearing thickness	Thrust clearance
2.560 – 2.585 mm (0.1008 – 0.1018 in)	White (12228-17E00-0F0)	2.475 – 2.500 mm (0.0974 – 0.0984 in)	0.060 – 0.110 mm (0.0024 – 0.0043 in)
2.535 – 2.560 mm (0.0998 – 0.1008 in)	Yellow (12228-17E00-0E0)	2.450 – 2.475 mm (0.0965 – 0.0974 in)	0.060 – 0.110 mm (0.0024 – 0.0043 in)
2.510 – 2.535 mm (0.0988 – 0.0998 in)	Green (12228-17E00-0D0)	2.425 – 2.450 mm (0.0955 – 0.0965 in)	0.060 – 0.110 mm (0.0024 – 0.0043 in)
2.485 – 2.510 mm (0.0978 – 0.0988 in)	Blue (12228-17E00-0C0)	2.400 – 2.425 mm (0.0945 – 0.0955 in)	0.060 – 0.110 mm (0.0024 – 0.0043 in)
2.460 – 2.485 mm (0.0969 – 0.0978 in)	Black (12228-17E00-0B0)	2.375 – 2.400 mm (0.0935 – 0.0945 in)	0.060 – 0.110 mm (0.0024 – 0.0043 in)
2.430 – 2.460 mm (0.0957 – 0.0969 in)	Red (12228-17E00-0A0)	2.350 – 2.375 mm (0.0925 – 0.0935 in)	0.055 – 0.110 mm (0.0022 – 0.0043 in)

- After selecting a left-side thrust bearing, insert it and again perform the thrust clearance measurement to make sure it falls within the standard range.

Ⓐ Color code

**NOTE:**

*Right-side thrust bearing has the same specification as the GREEN (12228-17E00-0D0) of left-side thrust bearing.*



## ENGINE REASSEMBLY

- Reassemble the engine in the reverse order of disassembly.
- The following steps require special attention or precautionary measures should be taken.

### NOTE:

Apply engine oil to each running and sliding part before reassembling.

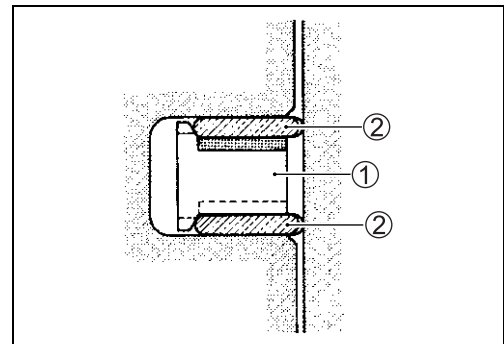
- Be sure to install the following items to the crankcase.
  - \* Crankshaft journal bearings (☞ 3-67)
  - \* Driveshaft (☞ 3-56)
  - \* Gearshift fork shafts (☞ 3-43)
  - \* Gearshift shaft bearings (☞ 3-55)
  - \* Gearshift cam bearings (☞ 3-55)
  - \* Gearshift cam (☞ 3-56)
  - \* Driveshaft bearings (☞ 3-56)
  - \* Oil jets (☞ 3-58)

### PISTON RING

- Install the piston rings in the order of oil ring, 2nd ring and 1st ring.
- The first member to go into the oil ring groove is a spacer ①. After placing the spacer, fit the two side rails ②.

### NOTE:

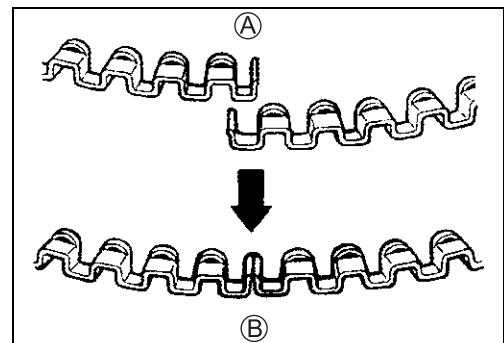
Side designations, top and bottom, are not applied to the spacer and side rails: you can position each either way.



### CAUTION

When installing the spacer, be careful not to allow its two ends to overlap in the groove.

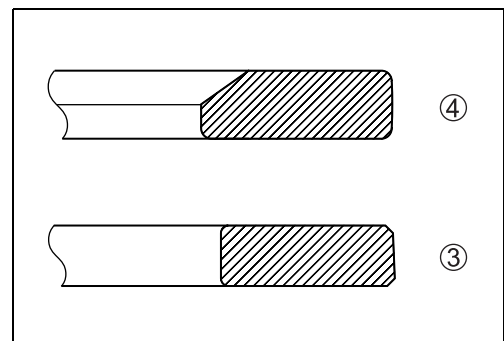
- Ⓐ INCORRECT
- Ⓑ CORRECT



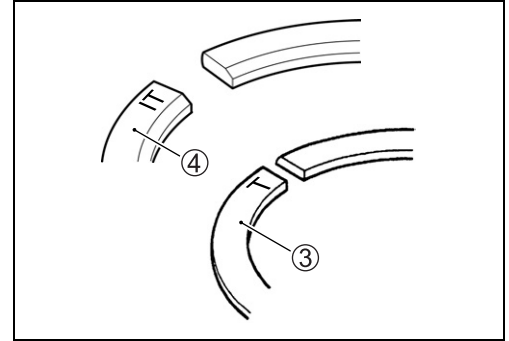
- Install the 2nd ring ③ and the 1st ring ④ to the piston.

### NOTE:

1st ring and 2nd ring differ in shape.

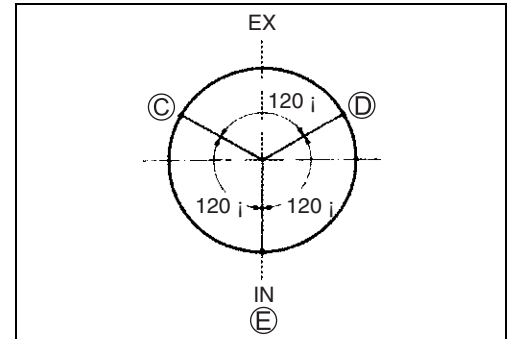


- 1st ring ④ and 2nd ring ③ have letters “IT” and “T” marked on one side. Be sure to bring the marked side upward when fitting them to the piston.



- Position the gaps of the three rings as shown. Before inserting each piston into the cylinder, check that the gaps are so located.

- © 2nd ring and lower side rail
- Ⓓ Upper side rail
- Ⓔ 1st ring and spacer



### PISTON AND CONROD

- Apply a small quantity of MOLYBDENUM OIL SOLUTION onto each piston pin.

#### MOLYBDENUM OIL SOLUTION

- Assemble the piston and conrod.

#### NOTE:

When installing the pistons, the indent ① on the piston head must be brought to the other side of ID code ② on the conrod big end.

- Install the piston pin circlips ①.

#### CAUTION

**Use new piston pin circlips to prevent circlip failure which will occur with a bend one.**

#### NOTE:

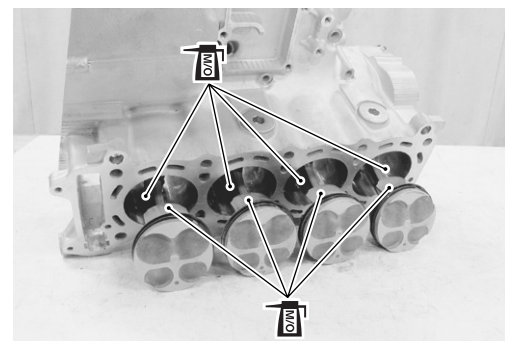
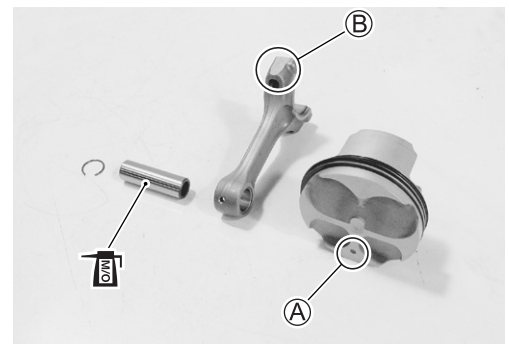
End gap of the circlip should not be aligned with the cutaway in the piston pin bore.

- Apply a small quantity of MOLYBDENUM OIL SOLUTION to the sliding surface of the pistons and cylinder walls.

#### MOLYBDENUM OIL SOLUTION

#### NOTE:

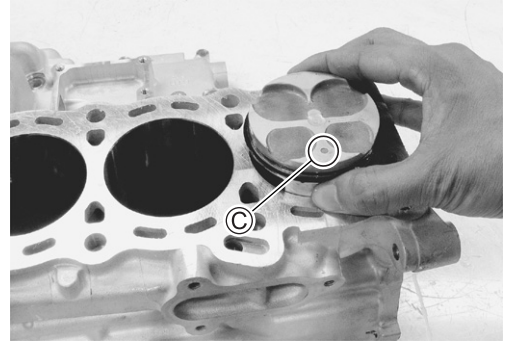
Be sure to install the pistons in the cylinders from which they were removed in disassembly, referring to the cylinder numbers, “1” through “4”, scribed on the piston.



- Install the pistons and conrods into the cylinders from upside.

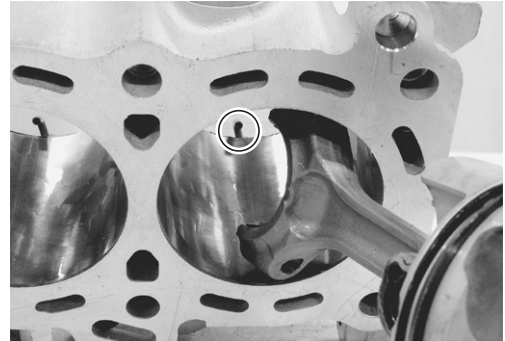
**NOTE:**

When installing the pistons, the indent © of each piston head must be brought to the exhaust side.



**CAUTION**

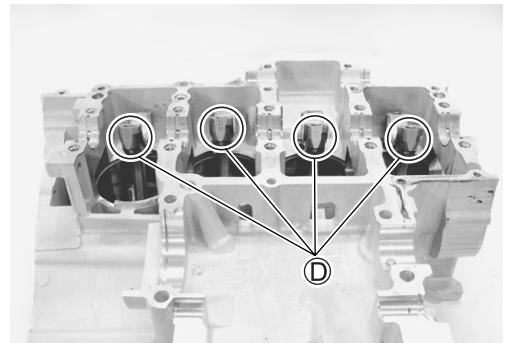
Be careful not to damage the cylinder wall and piston jet by the conrod.



- Check that I.D. code ① on each conrod faces intake side.

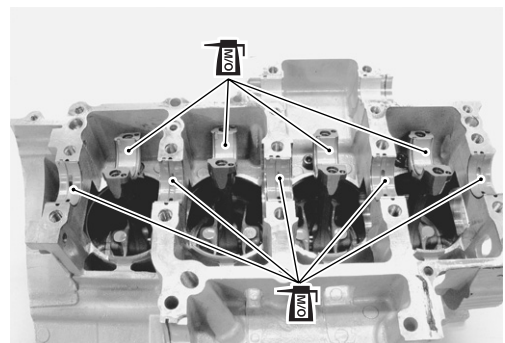
**CAUTION**

Be sure to clean the conrod big end.



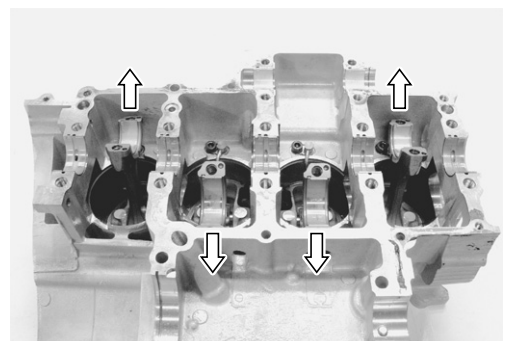
- Apply a MOLYBDENUM OIL SOLUTION to each crank pin bearing surface and crankshaft journal bearing surface.

**MOLYBDENUM OIL SOLUTION**

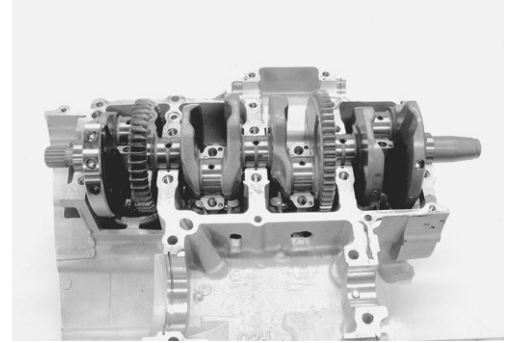


**CRANKSHAFT**

- Position the No. 2 and No. 3 conrod big ends on the same side, and the No. 1 and No. 4 conrod big ends on the opposite side of No. 2 and No. 3.



- Set the crankshaft to the conrods and upper crankcase.



- Apply engine oil to the crank pin and bearing surface.

**CAUTION**

**Be sure to clean the conrod big end.**

- When fitting the conrod cap, make sure that I.D. code **A** on each conrod faces intake side.



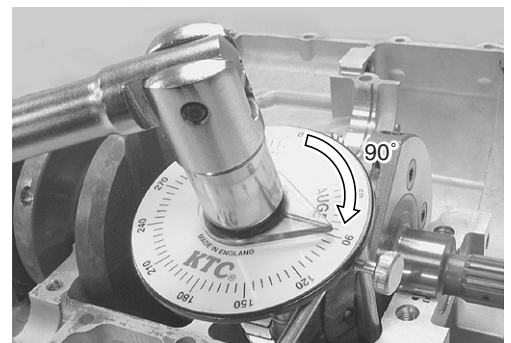
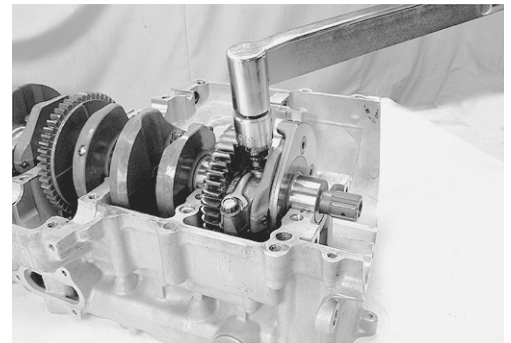
- Apply engine oil to the bearing cap bolts.
- Tighten the conrod bearing cap bolt by using a 10 mm, 12 point socket wrench in the following two steps.

**🔧 Conrod bearing cap bolt:**

**Initial : 15 N·m (1.5 kgf·m, 11.0 lb-ft)**

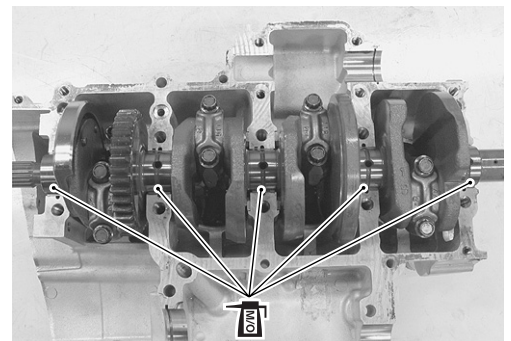
**Final : 90° (1/4 turn)**

- Apply engine oil to the conrod big end side surfaces.
- Check the conrod movement for smooth turning.



- Apply a MOLYBDENUM OIL SOLUTION to each crankshaft journal and bearing lightly.

**🔧 MOLYBDENUM OIL SOLUTION**

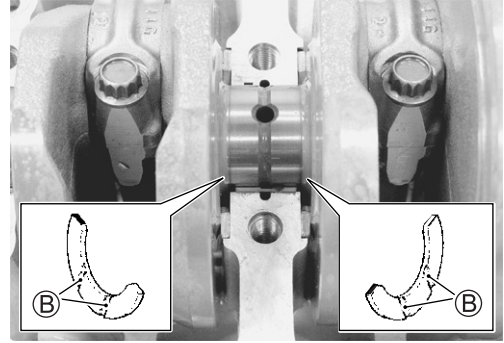




- Insert the right and left thrust bearings with oil groove ⑧ facing the crank web.

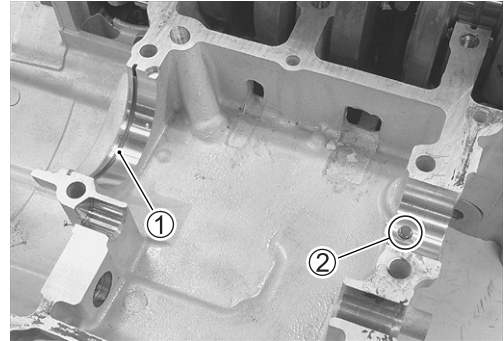
**NOTE:**

*Right thrust bearing has green painting.*



**COUNTERSHAFT**

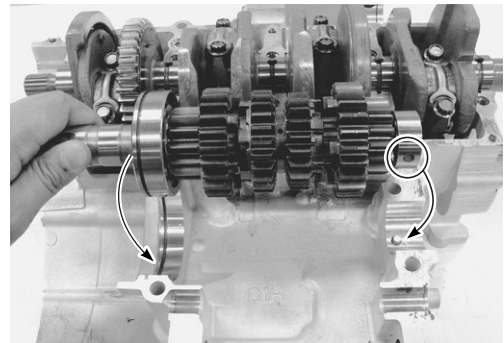
- Install the C-ring ① and bearing pin ② to the upper crankcase.



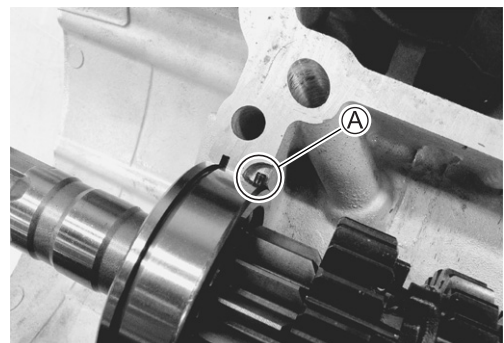
- Install the countershaft assembly to the upper crankcase.

**NOTE:**

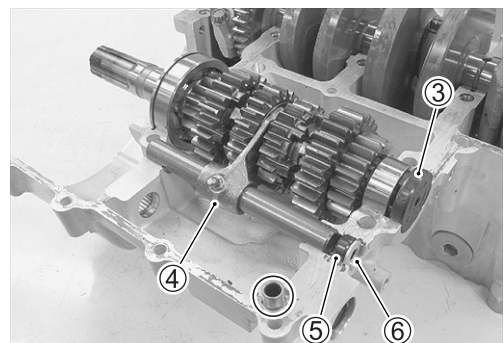
*Align the C-ring with the groove of bearing and the bearing pin with the indent on the bearing.*



- Turn the bearing to fit the bearing dowel pin in the position ⑨.



- Install the dowel pin and oil seal ③.
- Install the gearshift shaft and fork ④, bushing ⑤ and retainer ⑥.

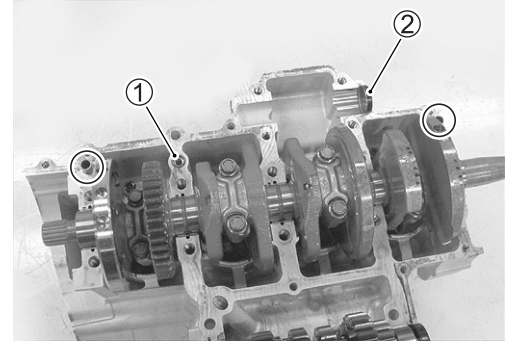


**CRANKCASE**

- Clean the mating surfaces of the crankcases.
- Install the dowel pins.
- Install the dowel pins, O-ring ① and cap ②.

**CAUTION**

Replace the O-ring with a new one.



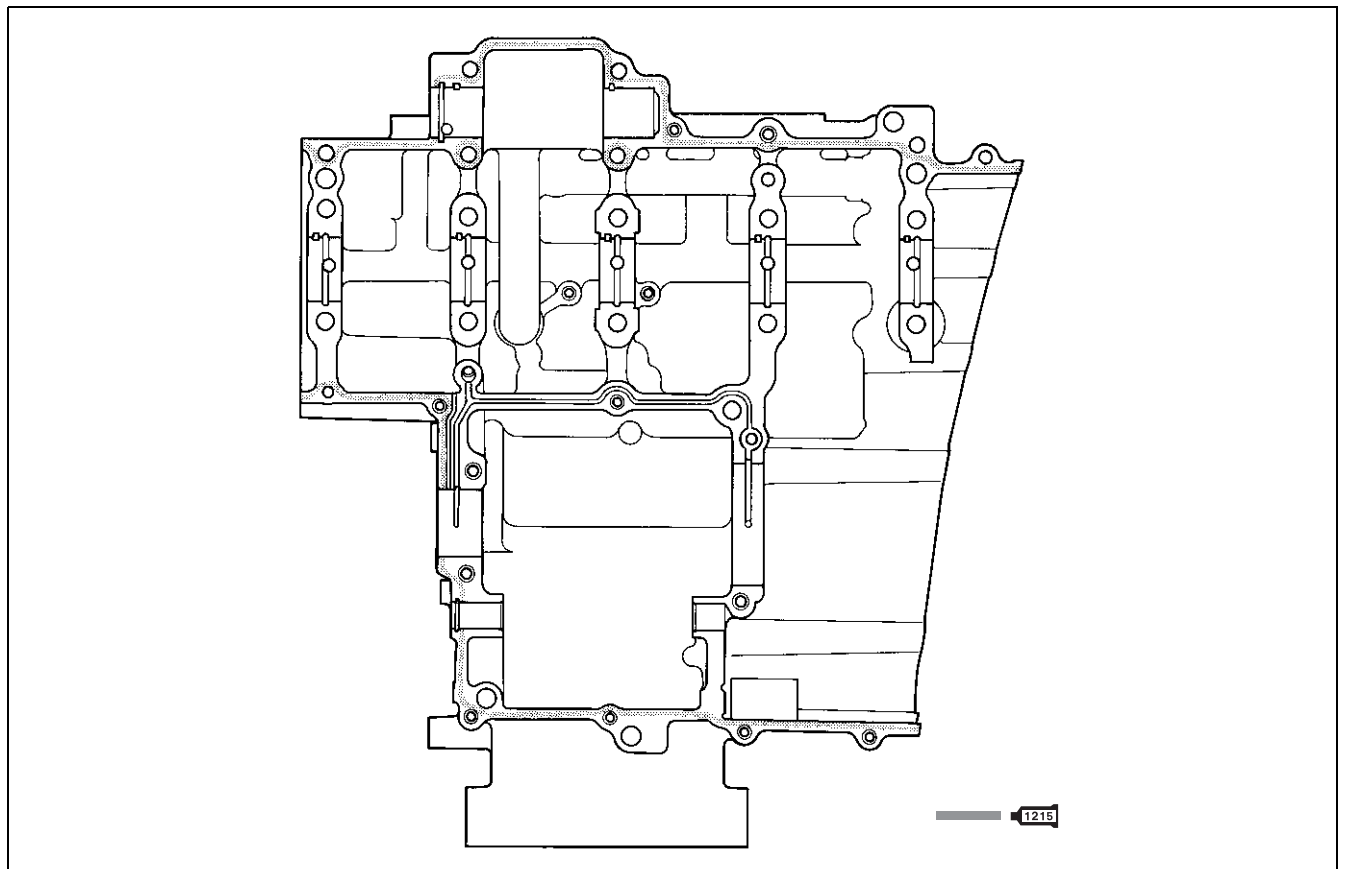
- Apply SUZUKI BOND to the mating surface of the lower crankcase.

**1215** 99000-31110: SUZUKI BOND "1215"  
(or equivalent bond)

**NOTE:**

Use of SUZUKI BOND is as follows:

- \* Make surfaces free from moisture, oil, dust and other foreign materials.
- \* Spread on surfaces thinly to form an even layer, and assemble the crankcases within few minutes.
- \* Take extreme care not to apply any bond to the oil hole, oil groove and bearing.
- \* Apply to distorted surfaces as it forms a comparatively thick film.



- Tighten the crankshaft journal bolts (M9) in ascending order of numbers assigned to these bolts. Tighten each bolt a little at a time to equalize the pressure in the following two steps.

**🔧 Crankshaft journal bolt: (M9)**

**Initial : 18 N·m (1.8 kgf-m, 13.0 lb-ft)**

**Final : 50°**

**CAUTION**

**Fit new gasket washers to the bolts ① to prevent oil leakage.**

- Tighten the other crankcase bolts a little at a time to equalize the pressure.

**🔧 Crankcase bolt: (M6) Initial: 6 N·m (0.6 kgf-m, 4.5 lb-ft)**

**Final : 11 N·m (1.1 kgf-m, 8.0 lb-ft)**

**(M8) Initial : 15 N·m (1.5 kgf-m, 11.0 lb-ft)**

**Final : 26 N·m (2.6 kgf-m, 19.0 lb-ft)**

**(M8) Initial : 15 N·m (1.5 kgf-m, 11.0 lb-ft)**

**Final : 26 N·m (2.6 kgf-m, 19.0 lb-ft)**

**Crankcase bolt ②:(M6) Initial : 15 N·m (1.5 kgf-m, 11.0 lb-ft)**

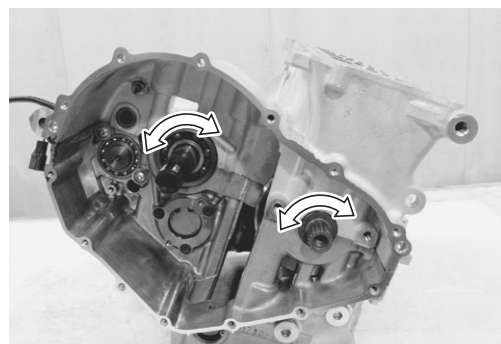
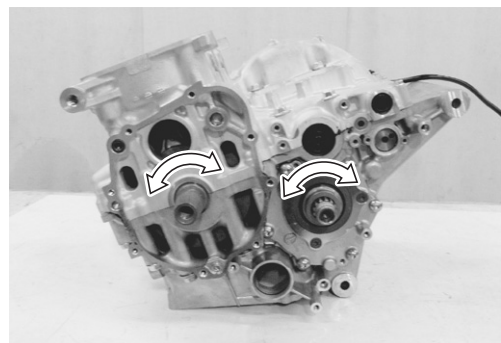
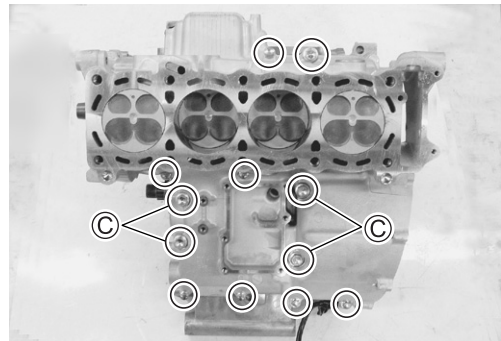
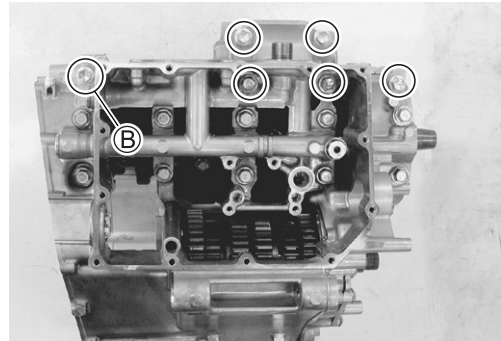
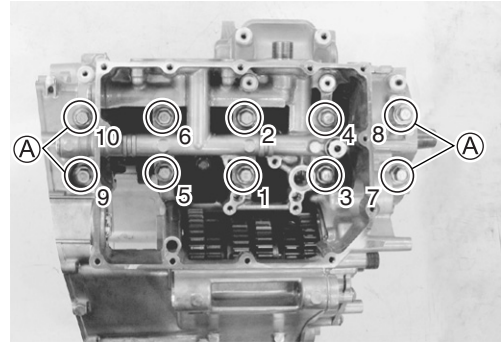
**Final : 22 N·m (2.2 kgf-m, 16.0 lb-ft)**

**CAUTION**

**\* Replace the bolt ② with a new precoated one.**

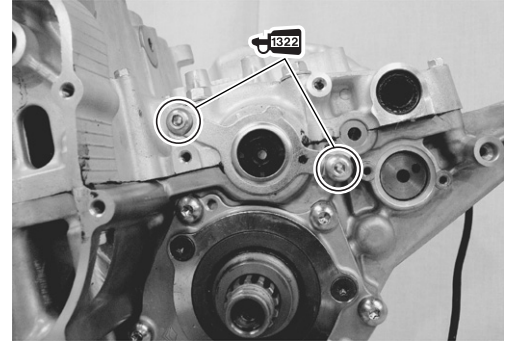
**\* Fit new gasket washers to the bolts ③ to prevent oil leakage.**

- After the crankshaft journal bolts and crankcase bolts have been tightened, check that the crankshaft rotates smoothly.
- Also check that the driveshaft and countershaft rotate smoothly.



- Install the clutch push rod oil seal retainer ①.
- Apply THREAD LOCK to the bolts.

 **99000-32110: THREAD LOCK SUPER “1322”**  
(or equivalent thread lock)




### OIL PUMP

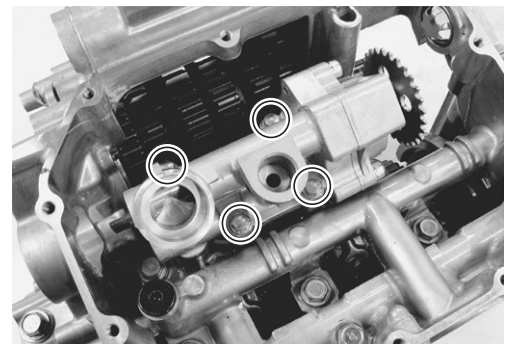
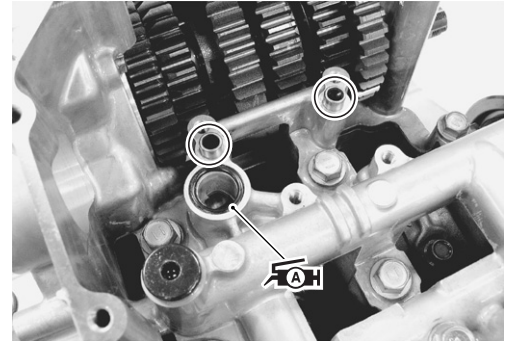
- Install the O-ring.
- Apply SUZUKI SUPER GREASE “A” to the O-ring.

 **99000-25010: SUZUKI SUPER GREASE “A”**  
(or equivalent grease)

### CAUTION

Use a new O-ring to prevent oil leakage.

- Install the dowel pins.
  - Install the oil pump ① and tighten the oil pump bolts to the specified torque.
-  **Oil pump mounting bolt: 10 N·m (1.0 kgf·m, 7.0 lb-ft)**



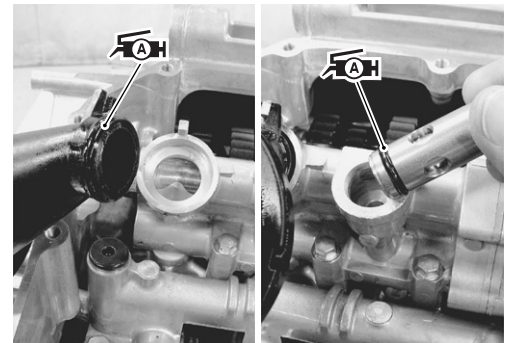
### OIL STRAINER AND OIL PRESSURE REGULATOR

- Apply SUZUKI SUPER GREASE “A” to the O-rings and press in the oil strainer and oil pressure regulator to the crankcase.

 **99000-25010: SUZUKI SUPER GREASE “A”**  
(or equivalent grease)

### CAUTION

Use a new O-ring to prevent oil leakage.





**OIL PAN**

- Install new gasket.
- Install the plate ① and oil pan.

**NOTE:**

- \* Fit the clamp to the bolt ①.
- \* Fit new gasket washer to the bolt ②.

**CAUTION**


- \* Replace the bolts with new precoated ones for plate ①.
- \* Use new gasket and gasket washer to prevent oil leakage.


- Tighten the oil pan bolts diagonally to the specified torque.

 Oil pan bolt: 10 N·m (1.0 kgf·m, 7.0 lb-ft)

**OIL PRESSURE SWITCH**

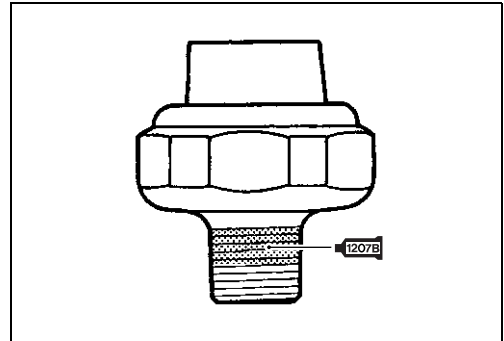
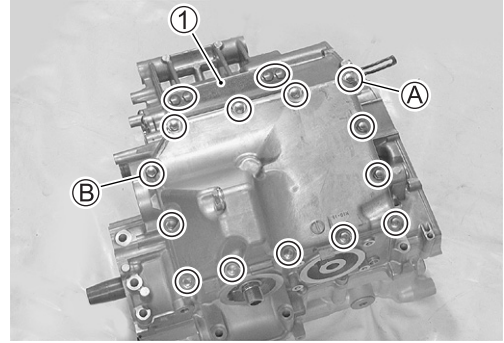
- Apply SUZUKI BOND to the thread part of oil pressure switch and tighten oil pressure switch to the specified torque.

 99104-31140: SUZUKI BOND “1207B” (USA)  
99000-31140: SUZUKI BOND “1207B” (Others)

 Oil pressure switch: 14 N·m (1.4 kgf·m, 10.0 lb-ft)

**NOTE:**

Be careful not to apply SUZUKI BOND to the hole of thread end.

**OIL COOLER**

- Apply SUZUKI SUPER GREASE “A” to the O-ring and install the oil cooler.

 99000-25010: SUZUKI SUPER GREASE “A”  
(or equivalent grease)

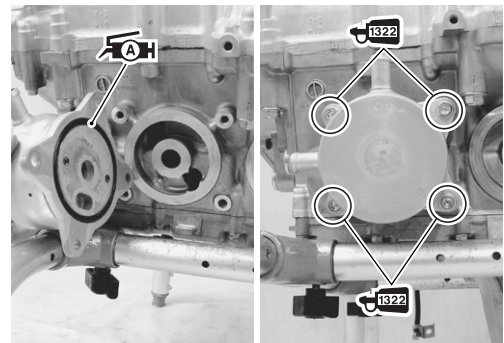
- Apply THREAD LOCK to the bolts and tighten them to the specified torque.

 99000-32110: THREAD LOCK SUPER “1322”  
(or equivalent thread lock)

 Oil cooler mounting bolt: 10 N·m (1.0 kgf·m, 7.0 lb-ft)

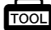
**CAUTION**


Use a new O-ring to prevent oil leakage.

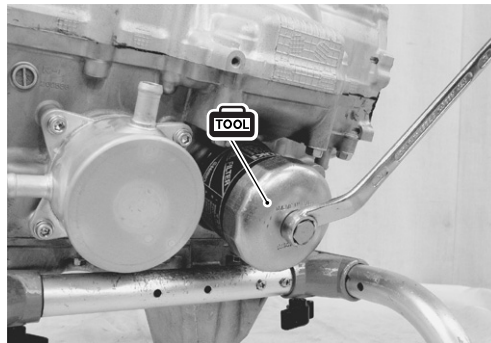


**OIL FILTER**

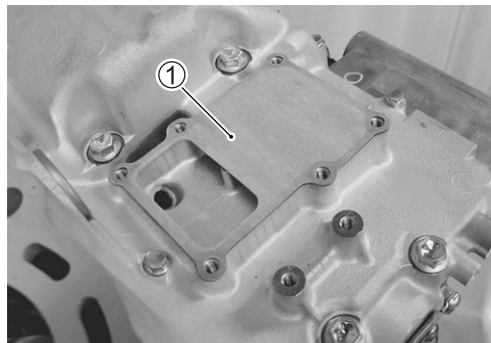
- Install the oil filter with the special tool. (☞ 2-13)

 **09915-40610: Oil filter wrench**

 **Oil filter: 20 N·m (2.0 kgf-m, 14.5 lb-ft)**

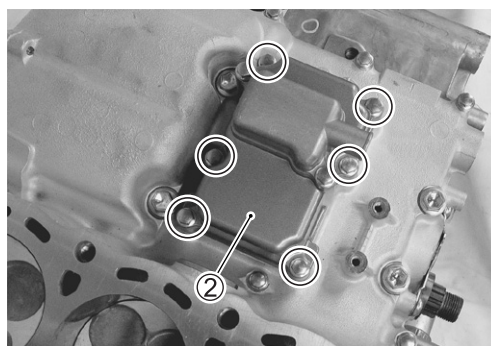
**CRANKCASE BREATHER COVER**

- Install a new gasket ①.



- Install the crankcase breather cover ②.

 **Crankcase breather cover bolt: 10 N·m (1.0 kgf-m, 7.0 lb-ft)**

**GEAR POSITION SWITCH**

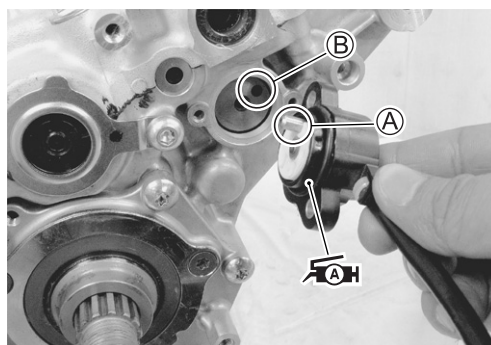
- Apply SUZUKI SUPER GREASE "A" to the O-ring.

**NOTE:**

Align the gear position switch pin (A) with the gearshift cam hole

(B).

 **99000-25010: SUZUKI SUPER GREASE "A"**  
(or equivalent grease)



- Install the gear position switch as shown.

 **Gear position switch bolt: 7 N·m (0.7 kgf-m, 5.0 lb-ft)**





**WATER PUMP**

- Apply SUZUKI SUPER GREASE “A” to the O-ring.


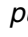
**CAUTION**

**Use a new O-ring to prevent oil leakage.**

 **99000-25010: SUZUKI SUPER GREASE “A”**  
(or equivalent grease)

- Install the water pump.

**NOTE:**

Set the water pump shaft end  to the oil pump shaft  as shown.

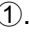
- Tighten the water pump mounting bolts to the specified torque.

 **Water pump mounting bolt: 10 N·m (1.0 kgf·m, 7.0 lb-ft)**

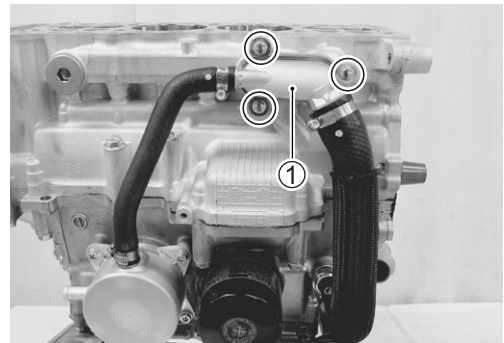
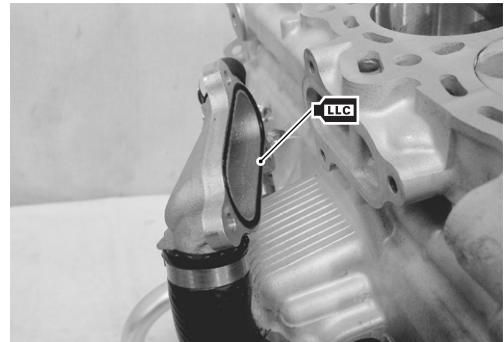
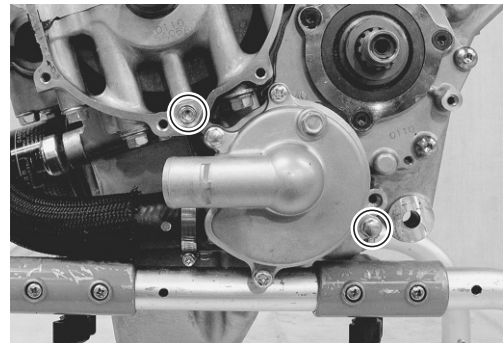
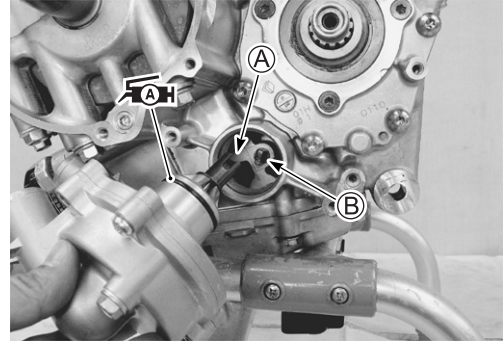
- Apply engine coolant to the O-ring.

**CAUTION**

**Use a new O-ring to prevent engine coolant leakage.**

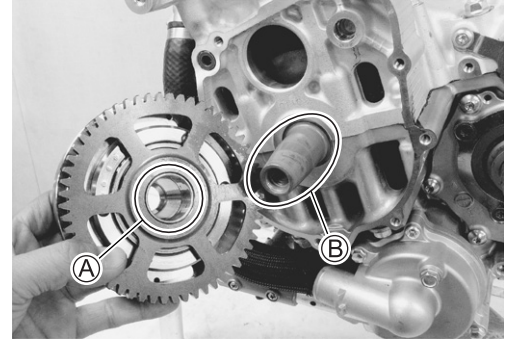
- Install the water inlet connector .

 **Water inlet connector bolt: 10 N·m (1.0 kgf·m, 7.0 lb-ft)**




**GENERATOR ROTOR AND STARTER DRIVEN GEAR**

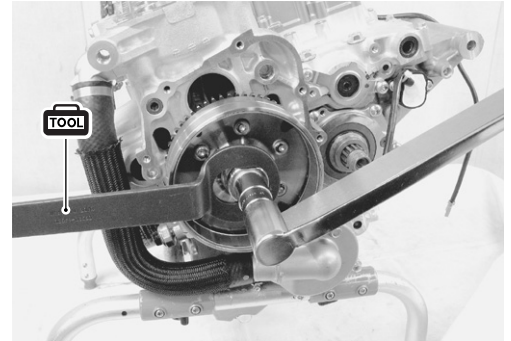
- Degrease the tapered portion (A) of generator rotor and also the crankshaft (B). Use nonflammable cleaning solvent to wipe off oily or greasy matter and make these surfaces completely dry.



- Install the generator rotor onto the crankshaft.
- Install the rotor bolt.
- Hold the generator rotor with the special tool and tighten its bolt to the specified torque.


 **09930-44520: Rotor holder**

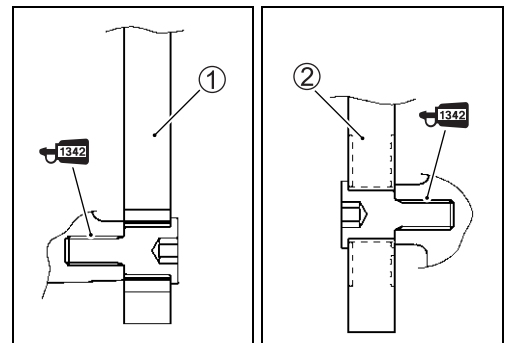
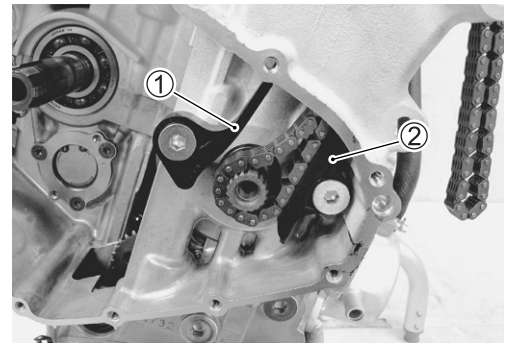
 **Generator rotor bolt: 120 N·m (12.0 kgf-m, 87.0 lb-ft)**

**CAM CHAIN/CAM CHAIN TENSIONER/CAM CHAIN GUIDE**

- Install the cam chain.
- Apply a small quantity of THREAD LOCK to the cam chain tensioner bolt and cam chain guide bolt.
- Install the cam chain tensioner (1).
- Install the cam chain guide No. 1 (2).

 **99000-32050: THREAD LOCK "1342"**

 **Cam chain tensioner bolt: 23 N·m (2.3 kgf-m, 16.5 lb-ft)**  
**Cam chain guide No. 1 bolt: 23 N·m (2.3 kgf-m, 6.5 lb-ft)**

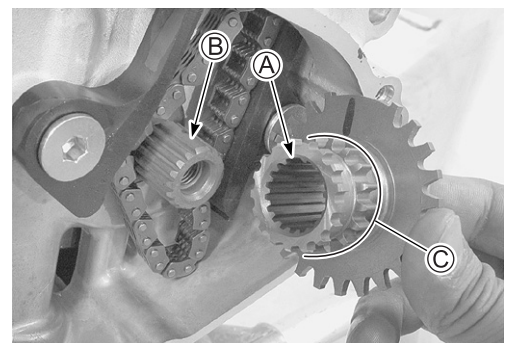


- Install the CKP sensor rotor/cam chain drive sprocket onto the crankshaft.

**NOTE:**

*When installing the cam chain drive sprocket, align the wide spline tooth (A) and (B).*

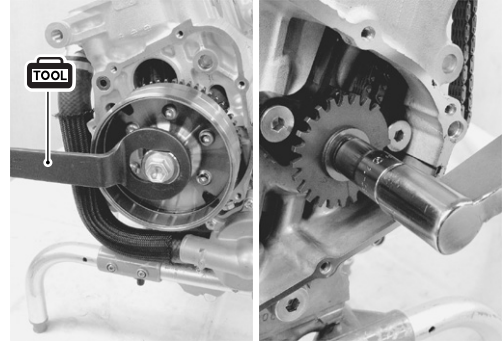
- Set the cam chain onto the teeth (C).



- While holding the generator rotor with the special tool, tighten the CKP sensor rotor/cam chain drive sprocket bolt.

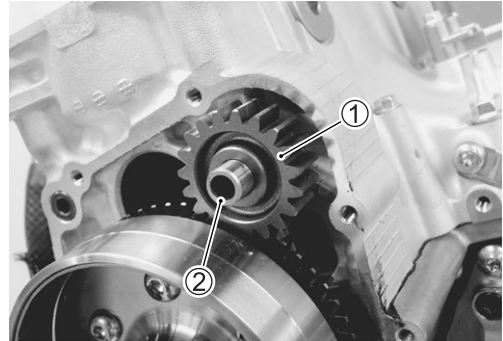
**TOOL** 09930-44520: Rotor holder

**CKP sensor rotor/cam chain drive sprocket bolt:**  
54 N·m (5.4 kgf-m, 39.0 lb-ft)



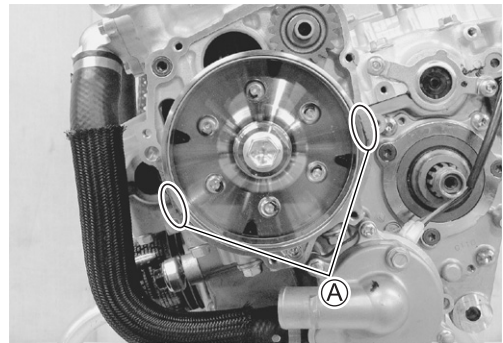
### STARTER IDLE GEAR

- Install the starter idle gear No. 2 ① and shaft ②.



- Apply SUZUKI BOND lightly to the mating surfaces ① at the parting line between the upper and lower crankcases.

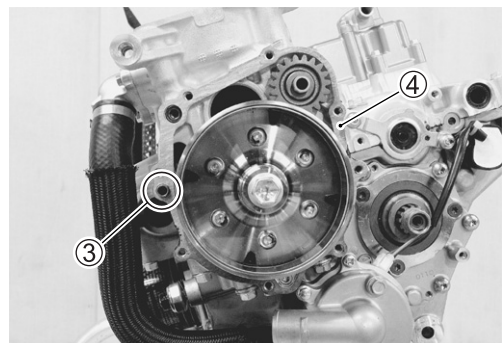
**1207B** 99104-31140: SUZUKI BOND “1207B” (USA)  
99000-31140: SUZUKI BOND “1207B” (Others)



- Install the dowel pin ③ and gasket ④.

### CAUTION

Use a new gasket to prevent oil leakage.

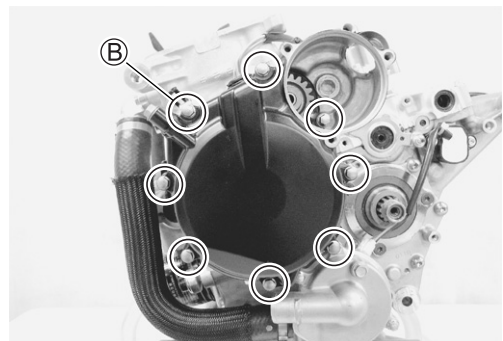


- Install the generator cover.

### NOTE:

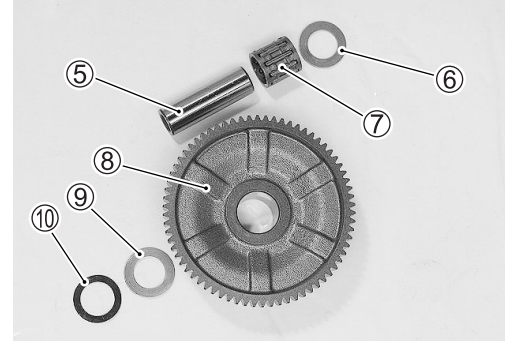
\* Fit the clamp to the generator cover bolt ①.

**Generator cover bolt:** 10 N·m (1.0 kgf-m, 7.0 lb-ft)



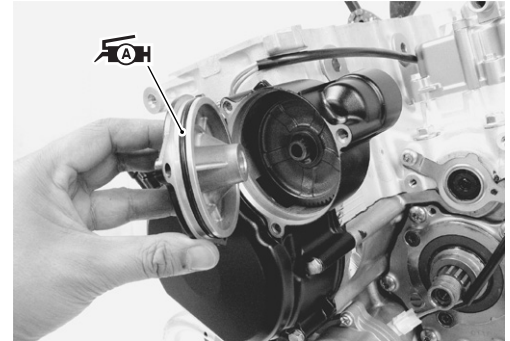


- Install the starter idle gear No. 1 shaft ⑤, thrust washer ⑥, bearing ⑦, starter idle gear No. 1 ⑧, washer ⑨, and spring washer ⑩.



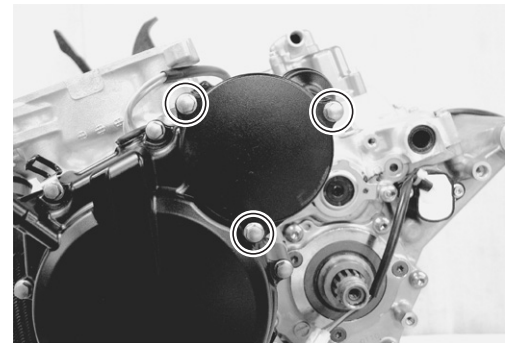
- Apply SUZUKI SUPER GREASE “A” to the O-ring.

 99000-25010: SUZUKI SUPER GREASE “A”  
(or equivalent grease)



- Install the starter idle gear cover and tighten its bolts to the specified torque.

 Starter idle gear cover bolt: 10 N·m (1.0 kgf-m, 7.0 lb-ft)



## GEARSHIFT SYSTEM

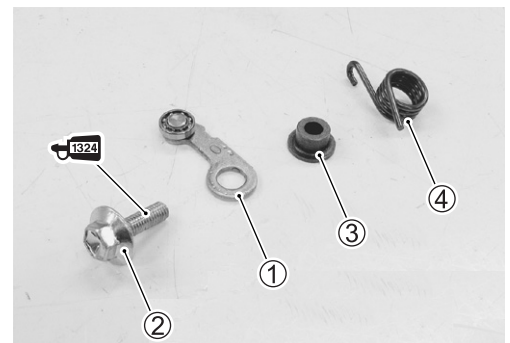
- Install the gearshift cam stopper ①, bolt ②, collar ③ and return spring ④.

### NOTE:


Apply a small quantity of *THREAD LOCK* to the gearshift cam stopper bolt ② and tighten it to the specified torque.

 99000-32050: *THREAD LOCK* “1342”

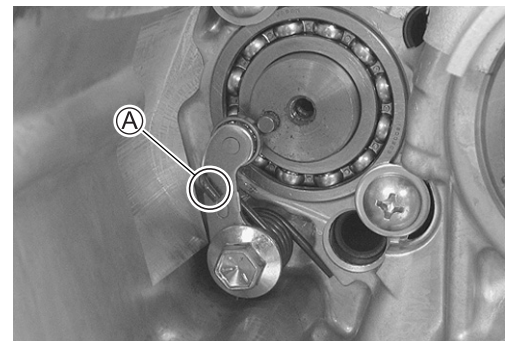
 Gearshift cam stopper bolt: 10 N·m (1.0 kgf-m, 7.0 lb-ft)



### NOTE:

Hook the return spring end  to the stopper.

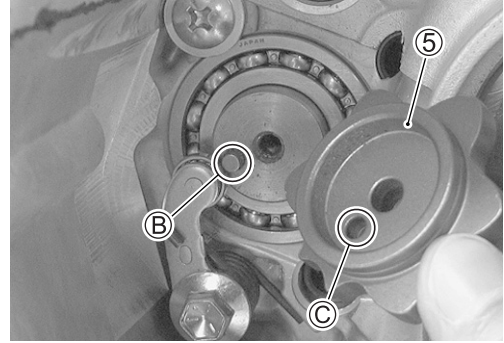
- Check that the gearshift cam stopper moves smoothly.
- Set the gearshift cam in the neutral position.



- Install the gearshift cam stopper plate ⑤.

**NOTE:**

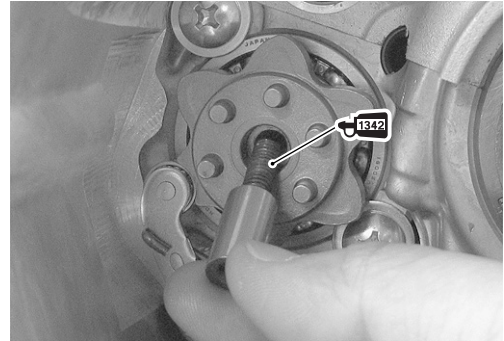
Align the gearshift cam pin ② with the gearshift cam stopper plate hole ③.



- Apply a small quantity of THREAD LOCK to the gearshift cam stopper plate bolt and tighten it to the specified torque.

 99000-32050: THREAD LOCK “1342”

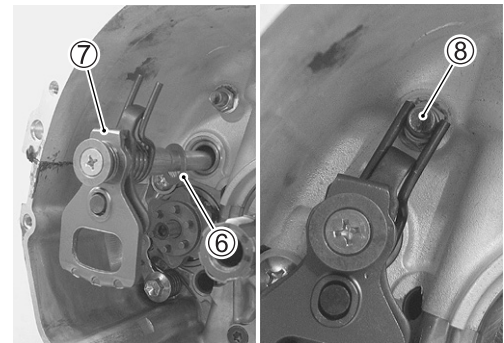
 Gearshift cam stopper plate bolt:  
13 N·m (1.3 kgf-m, 9.5 lb-ft)



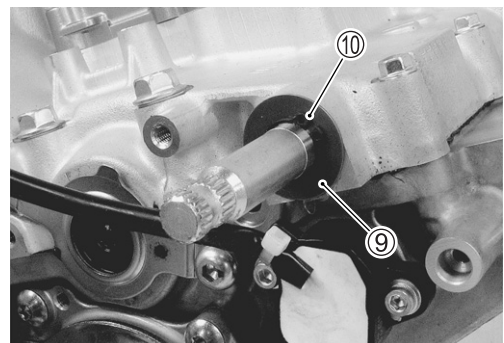
- Install the washer ⑥ and gearshift shaft assembly ⑦.

**NOTE:**

Pinch the gearshift arm stopper ⑧ with return spring ends.



- Install the washer ⑨ and snap ring ⑩.

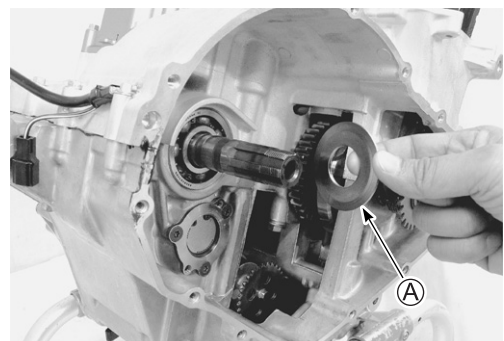


**OIL PUMP DRIVE SPROCKET**

- Install the thrust washer onto the countershaft.

**NOTE:**

The chamfer side ① of thrust washer should face the crankcase side.

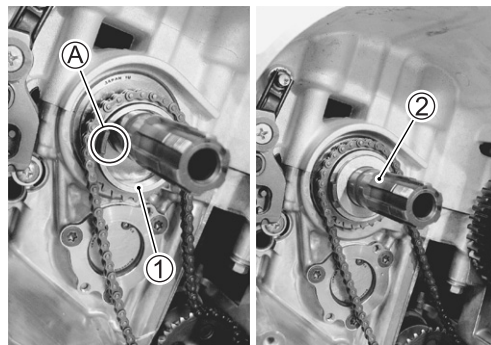


- Install the oil pump drive sprocket ① to the countershaft.

**NOTE:**

Teeth Ⓐ on the sprocket must face the clutch side.

- Pass the chain between the oil pump drive and driven sprockets.

**CLUTCH**

- Install the primary driven gear assembly ①.

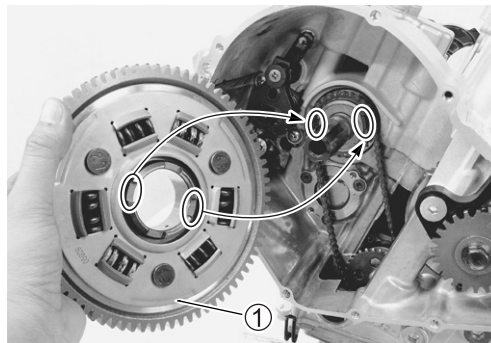
**NOTE:**

\* Before assembling the clutch, adjust the clutch lifter.

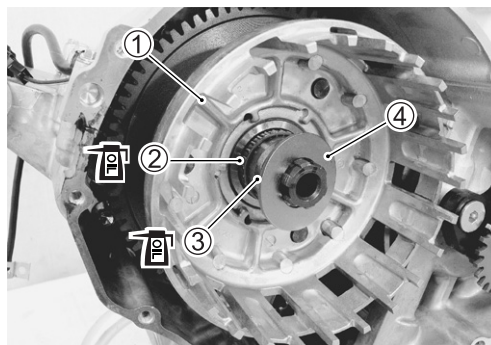
(☞ 3-40)

\* If it is difficult to install the primary driven gear, rotate the crankshaft.

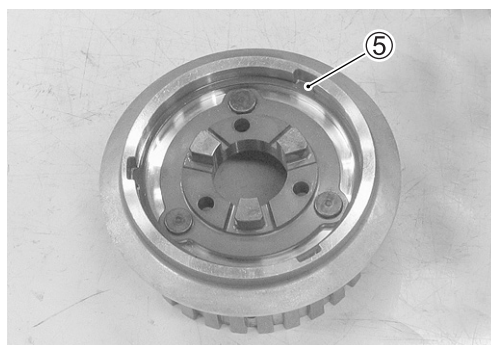
\* Be sure to engage the oil pump drive sprocket with the primary driven gear.



- Install the bearing ② and spacer ③, and apply engine oil to them.
- Install the thrust washer ④.



- Install the washer ⑤ to the clutch sleeve hub.

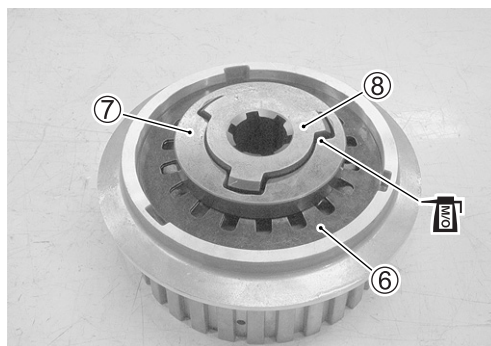


- Install the wave spring washers ⑥, clutch lifter driven cam ⑦ and clutch lifter drive cam ⑧.

**NOTE:**

\* Apply a small quantity of MOLYBDENUM OIL SOLUTION to the contact surfaces of the clutch lifter drive cam ⑧ and driven cam ⑦.

 MOLYBDENUM OIL SOLUTION

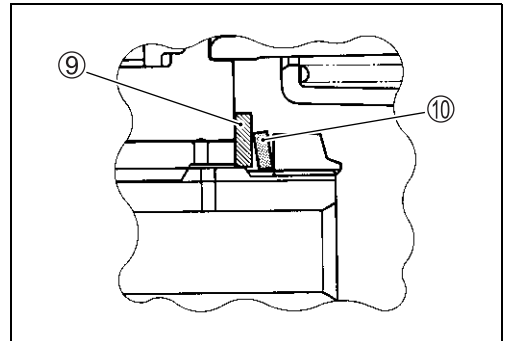
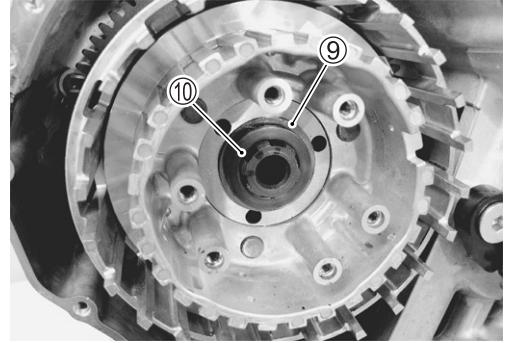




- Install the clutch sleeve hub assembly onto the countershaft.
- Install the washer ⑨ and spring washer ⑩.

**NOTE:**

- \* Before installing the washer ⑨, visually inspect the washer surface for wear and damage. If necessary, replace it with a new one.
- \* The conical curve side of spring washer ⑩ faces outside.

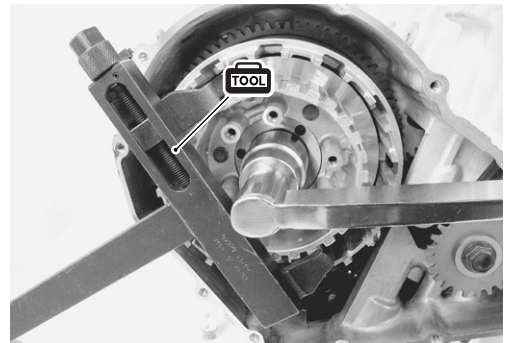


- Hold the clutch sleeve hub with the special tool.

**TOOL** 09920-53740: Clutch sleeve hub holder

- Tighten the clutch sleeve hub nut to the specified torque.

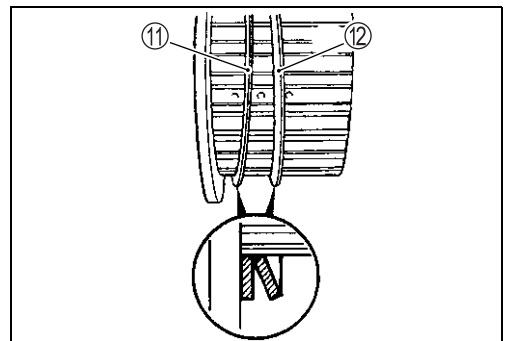
**TOOL** Clutch sleeve hub nut: 95 N·m (9.5 kgf·m, 68.7 lb-ft)



- Lock the clutch sleeve hub nut with a center punch.



- Install the spring washer seat ⑪ and spring washer ⑫ onto the clutch sleeve hub correctly.



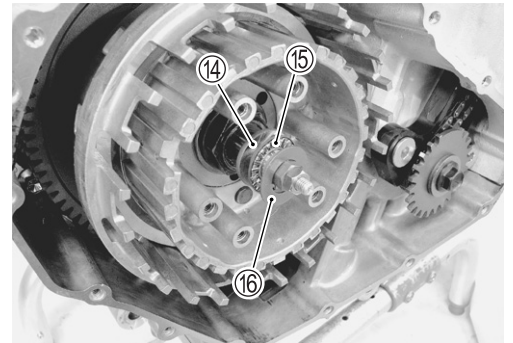
- Install the clutch push rod ⑬ into the countershaft.



- Install the clutch push piece ⑭, bearing ⑮ and thrust washer ⑯ to the countershaft.

**NOTE:**

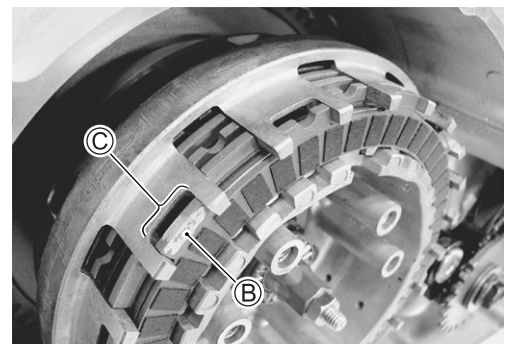
*Thrust washer ⑯ is located between the pressure plate and bearing ⑮.*

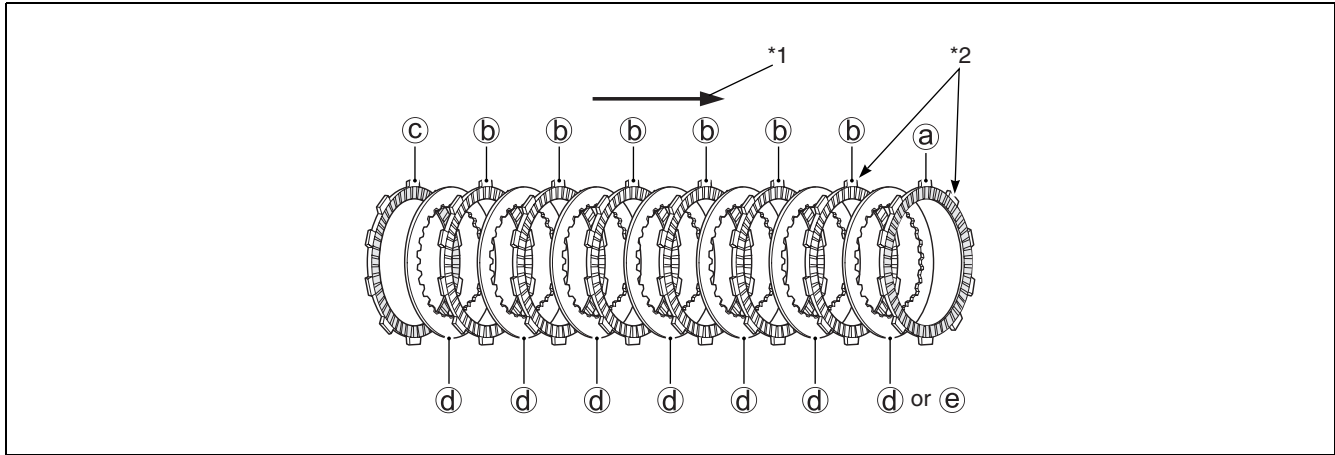


- Insert the clutch drive plates and driven plates one by one into the clutch sleeve hub in the prescribed order.

**NOTE:**

*Insert the outermost No. 2 drive plate claws ② to the other slits ③ of clutch housing as shown.*





\*1: Direction of outside      \*2: Paint

**DRIVE PLATE:**

- Ⓐ No. 2 Drive plate..... 1 pc. [Black paint/I.D. 111 mm (4.4 in)]
- Ⓑ No. 1 Drive plate..... 6 pcs. [Purple paint/I.D. 111 mm (4.4 in)]
- Ⓒ No. 3 Drive plate..... 1 pc. [NIL/I.D. 118 mm (4.6 in)]

**NOTE:**

No.3 drive plate can be distinguished by the inside diameter (I.D.).

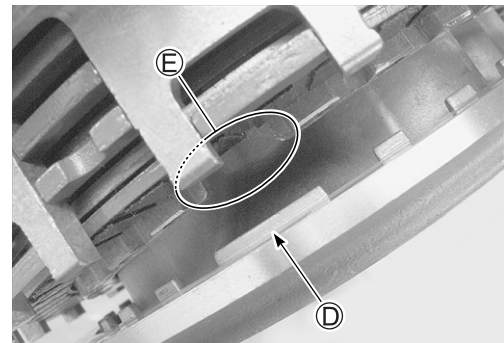
**DRIVEN PLATE:** (Ⓓ + Ⓔ = Total 7 pcs.)

- Ⓓ No. 1 Driven plate (Thickness): 2.6 mm (0.102 in).....5 – 7 pcs.
- Ⓔ No. 2 Driven plate (Thickness): 2.3 mm (0.091 in).....2 – 0 pcs.

- Install the pressure plate ⑱.

**NOTE:**

When install the pressure plate, fit the convex part Ⓓ of the pressure plate onto the concave part Ⓔ of the clutch sleeve hub.



- Install the clutch springs.
- Hold the clutch housing with the special tool.

**CAUTION**

Be careful not to damage the clutch housing or clutch plates.

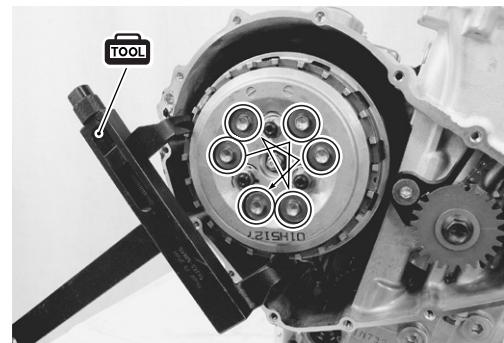
**TOOL 09920-53740: Clutch sleeve hub holder**

- Tighten the clutch spring set bolts to the specified torque.

**Clutch spring set bolt: 10 N·m (1.0 kgf-m, 7.0 lb-ft)**

**NOTE:**

- \* Tighten the clutch spring set bolts diagonally.
- \* After mounting the engine, adjust the push rod. (☞ 2-16)



**CLUTCH COVER**

- Apply SUZUKI BOND lightly to the mating surfaces at the parting line between the upper and lower crankcases as shown.

**1207B** 99104-31140: SUZUKI BOND “1207B” (USA)  
99000-31140: SUZUKI BOND “1207B” (Others)

- Install new gasket ① and dowel pin.

**CAUTION**

Use a new gasket to prevent oil leakage.

- Apply SUZUKI BOND lightly to the CKP sensor gromet.

**1207B** 99104-31140: SUZUKI BOND “1207B” (USA)  
99000-31140: SUZUKI BOND “1207B” (Others)

- Install the clutch cover and tighten its bolts to the specified torque.

**🔧** Clutch cover bolt: 10 N·m (1.0 kgf-m, 7.0 lb-ft)

**NOTE:**

\* Fit new gasket washer to the bolts **A**.

**CAUTION**

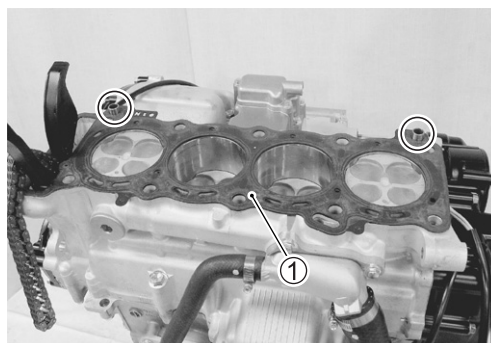
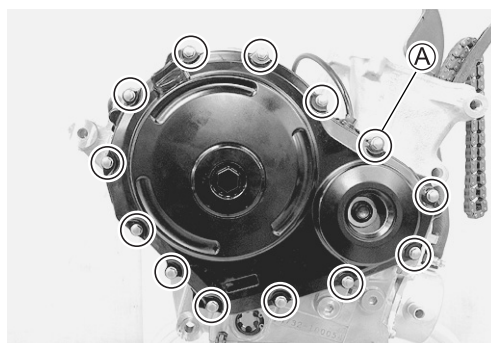
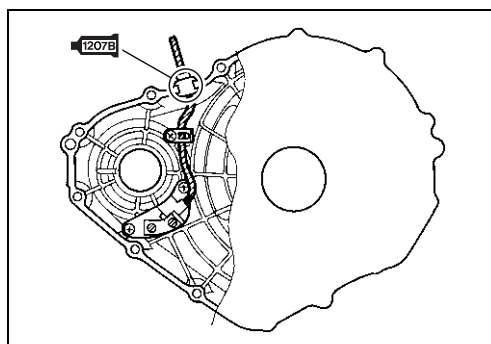
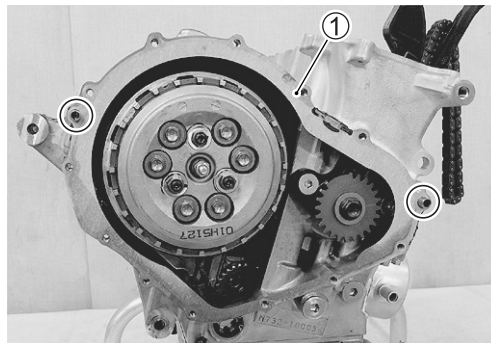
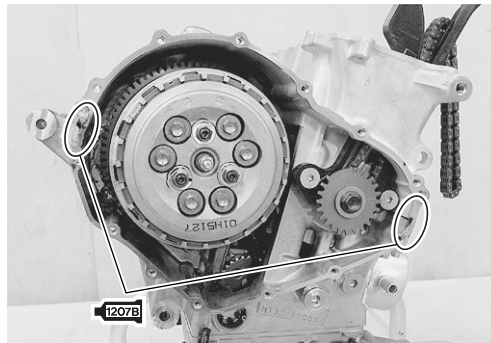
Use a new gasket washer to prevent oil leakage.

**CYLINDER HEAD**

- Fit the dowel pins and new cylinder head gasket ① to the cylinder.

**CAUTION**

Use a new gasket to prevent gas leakage.





- Place the cylinder head on the cylinder.

**NOTE:**

*When installing the cylinder head, keep the cam chain taut.*

- Tighten the cylinder head bolts (M10) in the following four-step.

**Step 1:**

- Tighten the cylinder head bolts to the specified torque with a torque wrench sequentially and diagonally.

**Step 2:**

- Loosen all the cylinder head bolts diagonally.

**Step 3:**

- Retighten the cylinder head bolts to the specified torque with a torque wrench sequentially and diagonally.

**Step 4:**

- Additionally tighten the cylinder head bolts with the specified angles diagonally using an angular torque gauge.

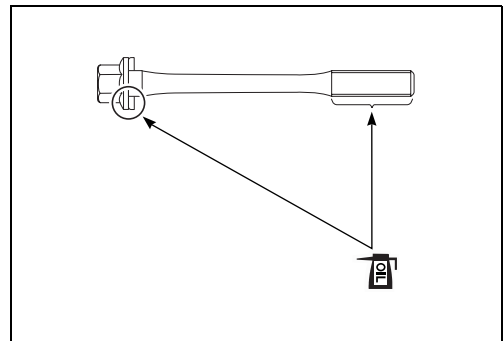
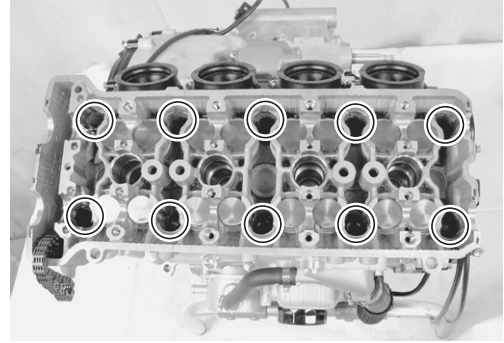
**🔩 Cylinder head bolt (M10):**

**Step 1/Step 3 : 31 N·m (3.1 kgf-m, 22.5 lb-ft)**

**Final step : 60° (1/6 turn)**

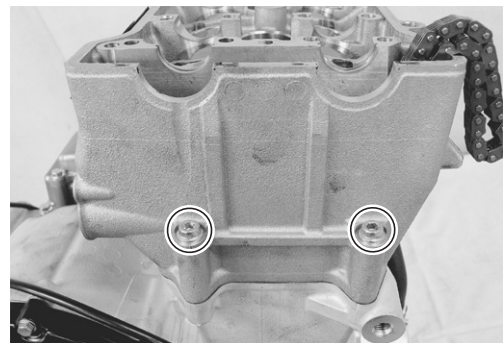
**NOTE:**

*Apply engine oil to the washers and thread portion of the bolts before installing the cylinder head bolts.*



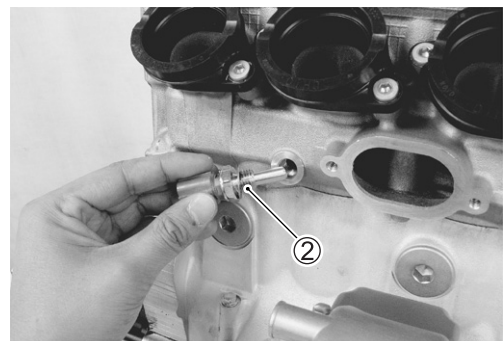
- Tighten the cylinder head bolts to the specified torque.

**🔩 Cylinder head bolt (M6): 10 N·m (1.0 kgf-m, 7.0 lb-ft)**



- Fit the gasket ② and tighten the ECT sensor.

**🔩 ECT sensor: 18 N·m (1.8 kgf-m, 13.0 lb-ft)**





- Apply engine coolant to the O-ring.
- Install the thermostat conector ③.

**CAUTION**

**Use a new O-ring to prevent engine coolant leakage.**

**🔧 Thermostat conector bolt: 10 N·m (1.0 kgf-m, 7.0 lb-ft)**

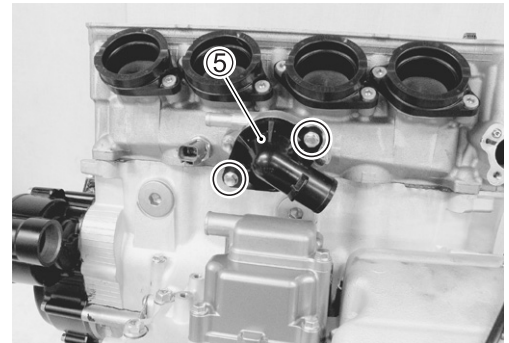
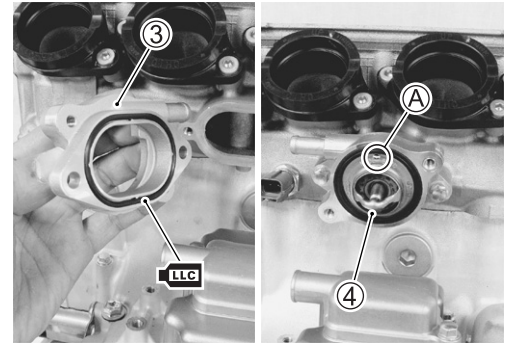
- Install the thermostat ④.

**NOTE:**

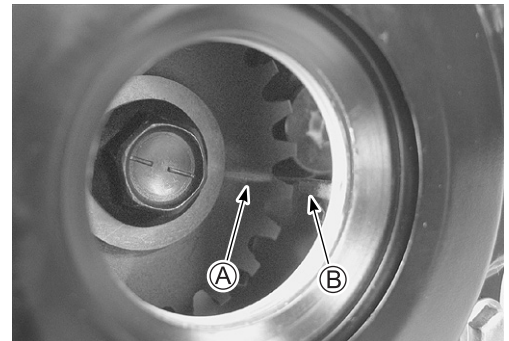
*The jiggle valve ① of thermostat faces upside.*

- Install the thermostat cover ⑤.

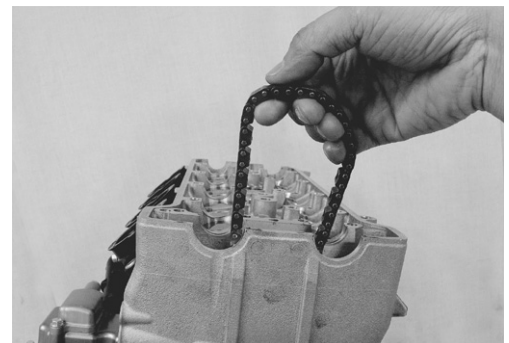
**🔧 Thermostat cover bolt: 10 N·m (1.0 kgf-m, 7.0 lb-ft)**

**CAMSHAFT**

- Turn the crankshaft clockwise with the box wrench and align the line ① on the CKP sensor rotor to the rib ② behind the clutch cover while keeping the cam chain pulled upward.

**CAUTION**

- \* Pull the cam chain upward, or the chain will be caught between crankcase and cam drive sprocket.
- \* To adjust the camshaft timing correctly, be sure to align the line ① with ② and hold this position when installing the camshafts.



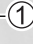





The camshafts are identified by the embossed letters.

- Before replacing the camshafts on cylinder head, apply MOLYBDENUM OIL SOLUTION to their journals and cam faces.
- Apply a MOLYBDENUM OIL SOLUTION to the camshaft journal holders.

### MOLYBDENUM OIL SOLUTION

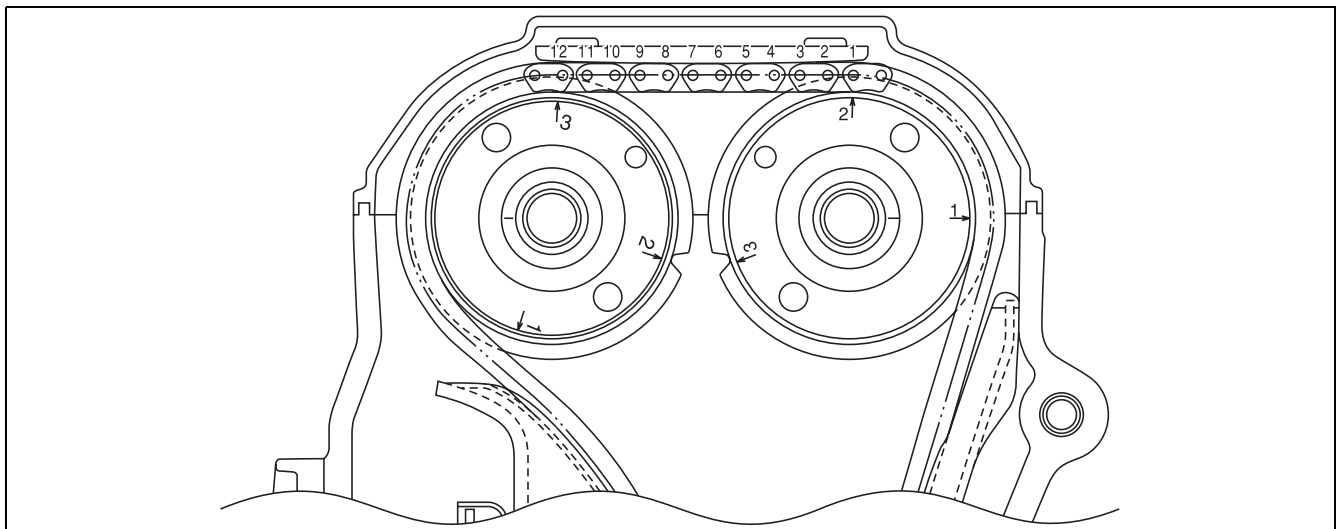
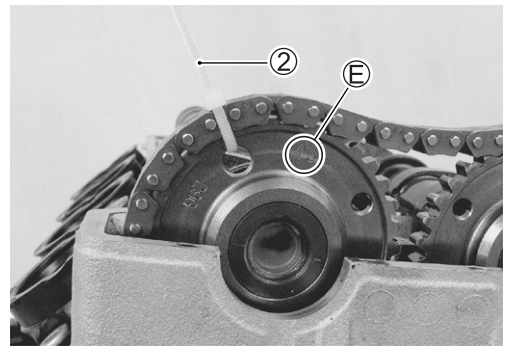
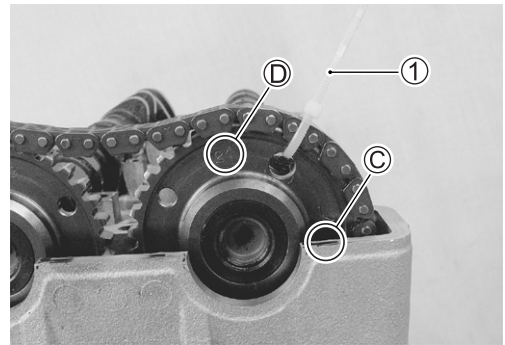
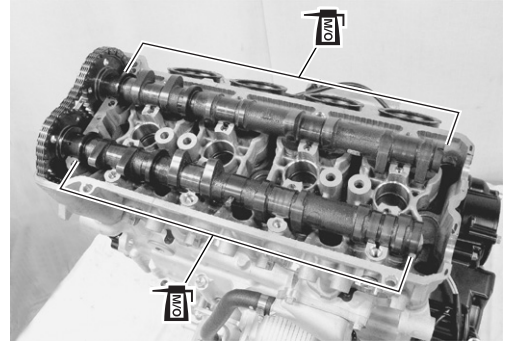
#### NOTE:

Before installing the camshaft, check that the tappets are installed correctly.

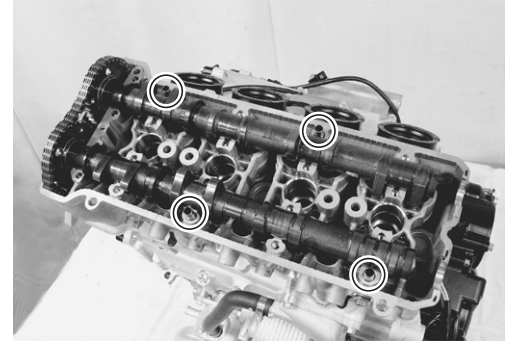
- Pull the cam chain lightly.
- The exhaust camshaft sprocket has an arrow marked “1” . Turn the exhaust camshaft so that the arrow is aligned with the gasket surface of the cylinder head.
- Engage the cam chain with the exhaust camshaft sprocket.
- Bind the cam chain and sprocket with a proper clamp  to prevent the cam chain disengagement while installing the camshaft journal holders.
- The other arrow marked “2”  should now be pointing straight up. Starting from the roller pin that is directly above the arrow marked “2” , count out 12 roller pins (from the exhaust camshaft side going towards the intake camshaft side).
- Engage the 12th roller pin  on the cam chain with the arrow marked “3” on the intake sprocket.
- Bind the cam chain and sprocket with a proper clamp  to prevent the cam chain disengagement while installing the camshaft journal holders.

#### NOTE:

The cam chain should now be on all three sprockets. Be careful not to move the crankshaft until the camshaft journal holders and cam chain tension adjuster are secured.



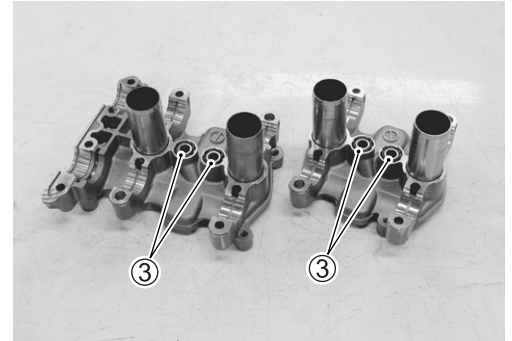
- Install the dowel pins.



- Install O-rings ③ to the camshaft journal holders.

**CAUTION**

**Replace the O-rings with new ones.**



- Install the camshaft journal holders.

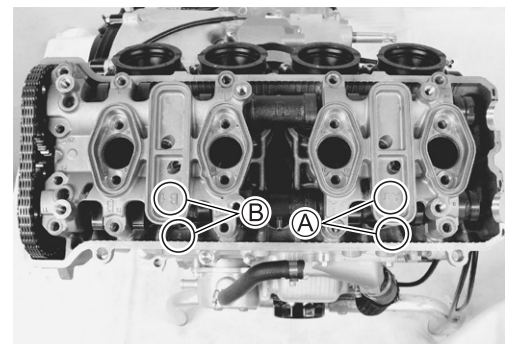
**NOTE:**

\* Each camshaft journal holder is identified with an embossed letter.

“A”: No.1 and No.2 cylinders

“B”: No.3 and No.4 cylinders

\* Check that embossed letter on each holder faces exhaust side.



**CAUTION**

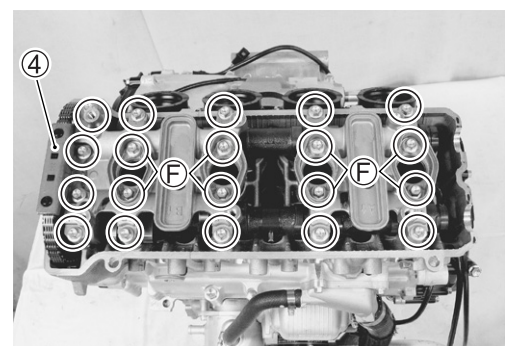
**Damage to head or camshaft journal holder thrust surfaces may result if the camshaft journal holders are not drawn down evenly.**

- Install the cam chain guide No. 2 ④.
- Fasten the camshaft journal holders evenly by tightening the camshaft journal holder bolts lightly, in the ascending order of numbers.

**NOTE:**

\* Fit the copper washer to the camshaft journal holder bolts ⑥.

\* The ascending order of numbers are indicated on the camshaft journal holders.

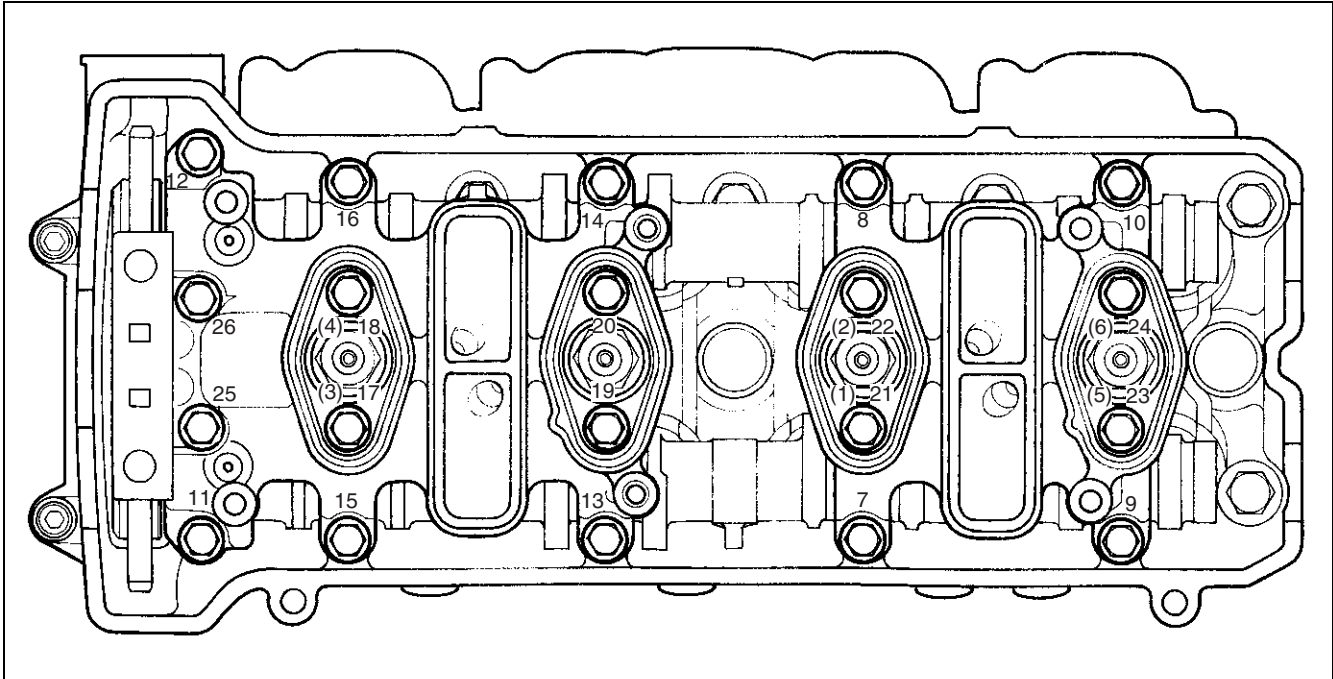


- Tighten the camshaft journal holder bolts in the ascending order of numbers to the specified torque.

**🔧 Camshaft journal holder bolt: 10 N·m (1.0 kgf·m, 7.0 lb·ft)**

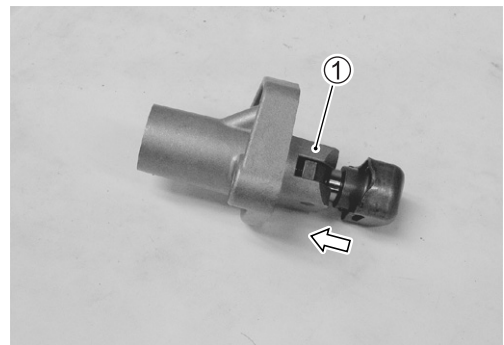
**CAUTION**

The camshaft journal holder bolts are made of a special material and much superior in strength, compared with other types of high strength bolts.  
Take special care not to use other types of bolts.



**CAM CHAIN TENSION ADJUSTER**

- Retract the push rod by pushing the stopper ①.



- Fit a new gasket ②.

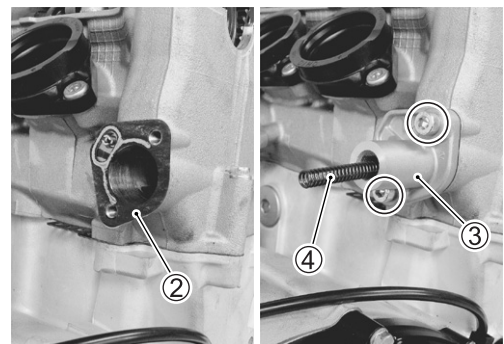
**CAUTION**

Use a new gasket to prevent oil leakage.

- Install the cam chain tension adjuster ③ and tighten its mounting bolts.

**🔧 Cam chain tension adjuster mounting bolt: 10 N·m (1.0 kgf·m, 7.0 lb·ft)**

- Install the spring ④.





- Install the gasket ⑤ and cam chain tension adjuster cap bolt ⑥.

**NOTE:**

*Click sound is heard when the cam chain tension adjuster cap bolt is installed.*

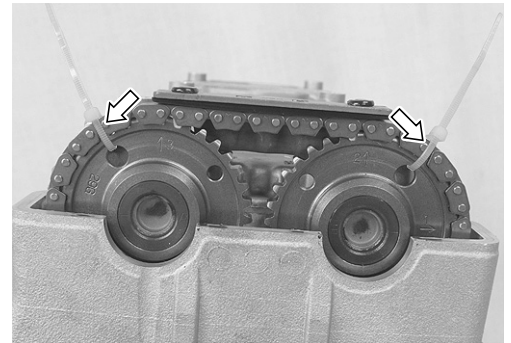
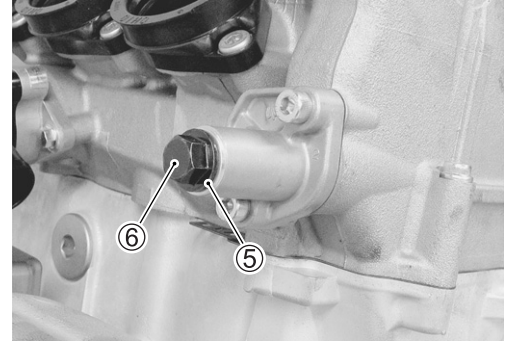
- Tighten the cam chain tension adjuster cap bolt to the specified torque.

**🔧 Cam chain tension adjuster cap bolt:**  
**23 N·m (2.3 kgf·m, 16.5 lb·ft)**

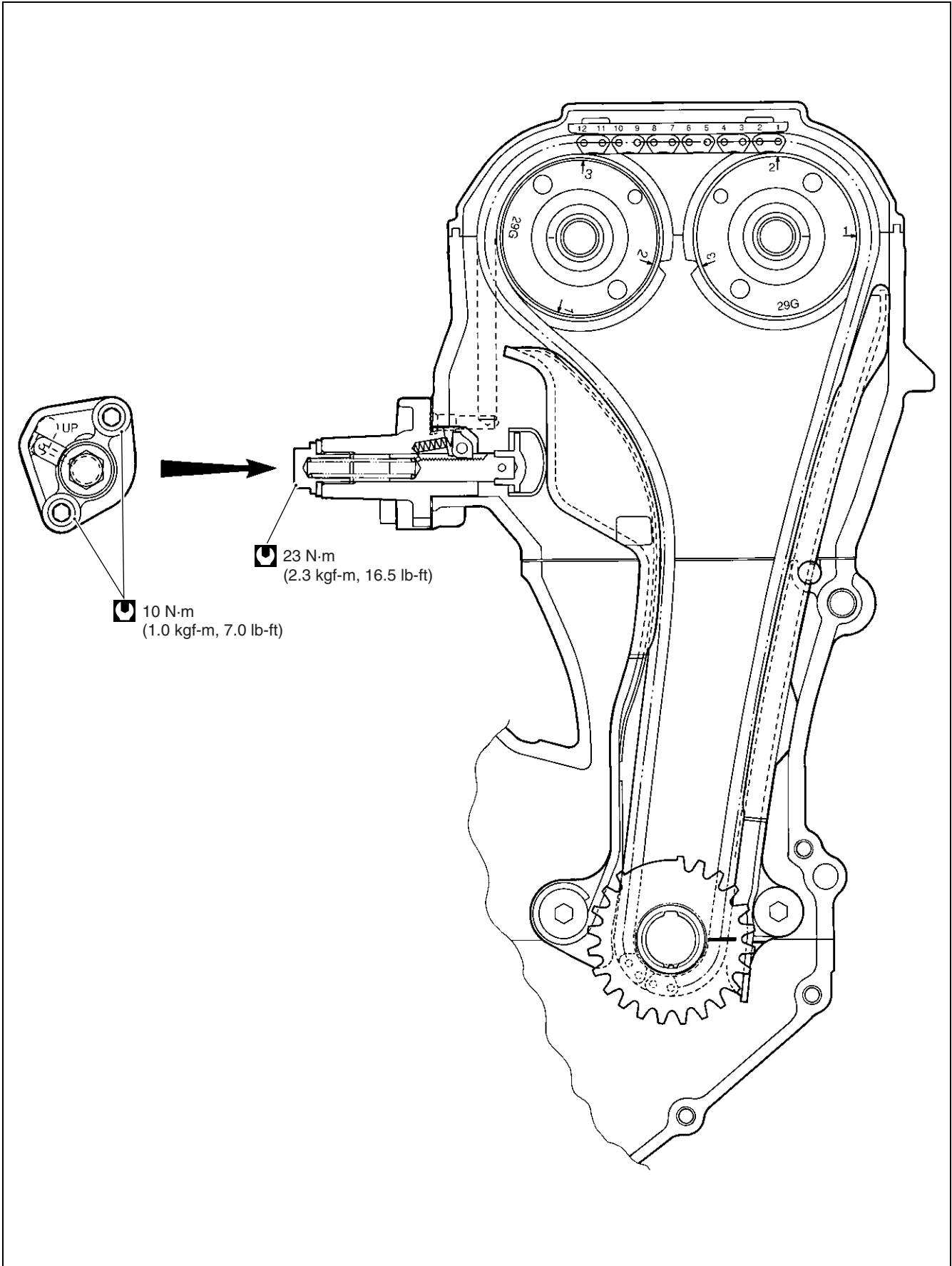
**CAUTION**

**After installing the cam chain tension adjuster, check to be sure that the adjuster works properly by checking the slack of cam chain.**

- Remove the clamps.
- After installing the cam chain tension adjuster, rotate the crankshaft (some turns), and recheck the positions of the camshafts. (📖 3-96)

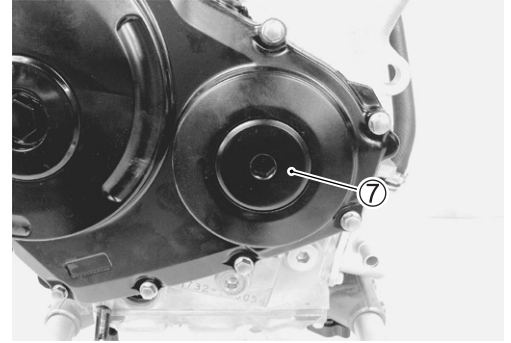






- Tighten the valve timing inspection cap ⑦ to the specified torque.

 **Valve timing inspection cap: 11 N·m (1.1 kgf-m, 8.0 lb-ft)**

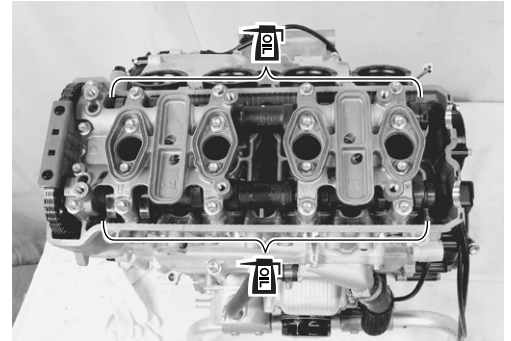


### CYLINDER HEAD COVER

- Pour engine oil in each oil pocket in the cylinder head.

#### NOTE:

Be sure to check the valve clearance. (🔧 2-7)



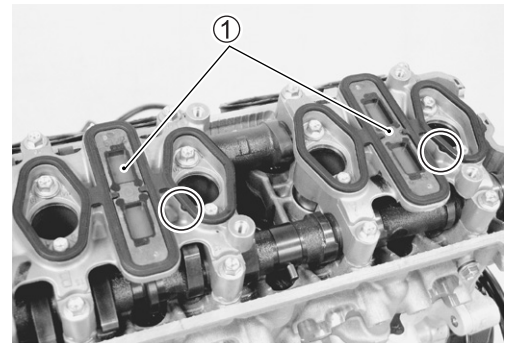
- Install the PAIR reed valves ① along with the gaskets.

#### NOTE:

Fit the projection of the gaskets to the depression of the cam-shaft holders.

#### CAUTION

**Replace the gaskets with new ones.**

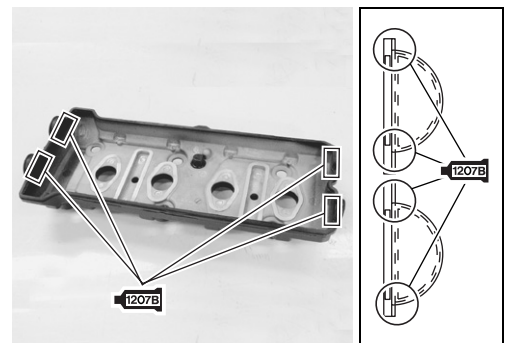


- Install a new gasket to the cylinder head cover.
- Apply SUZUKI BOND to the cam end cap points of the gasket as shown.

 **99104-31140: SUZUKI BOND “1207B” (USA)**  
**99000-31140: SUZUKI BOND “1207B” (Others)**

#### CAUTION

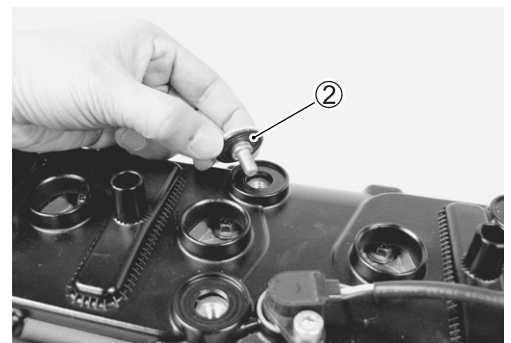
**Use a new gasket to prevent oil leakage.**



- Place the cylinder head cover on the cylinder head.
- Fit a new gasket ② to each head cover bolt.

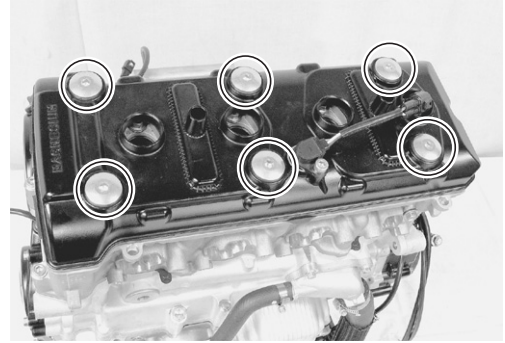
#### CAUTION

**Use new gaskets to prevent oil leakage.**



- Tighten the head cover bolts to the specified torque.

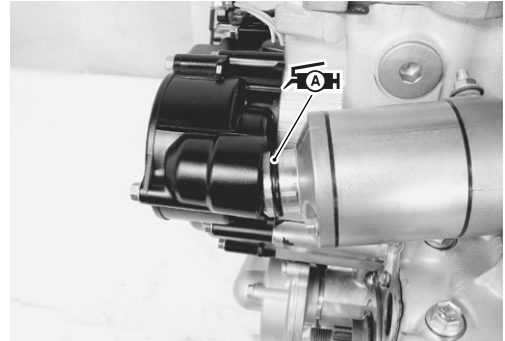
 **Head cover bolt: 14 N·m (1.4 kgf-m, 10.0 lb-ft)**



### STARTER MOTOR

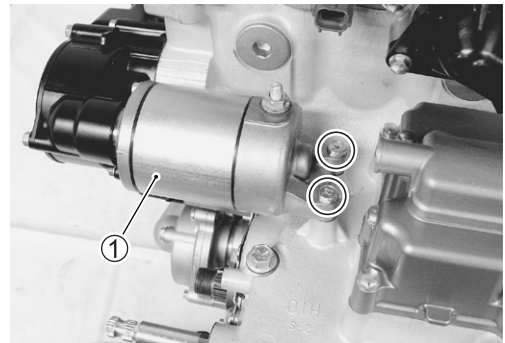
- Apply SUZUKI SUPER GREASE "A" to the O-ring.

 **99000-25010: SUZUKI SUPER GREASE "A"**  
(or equivalent grease)



- Install the starter motor ①.

 **Starter motor mounting bolt: 6 N·m (0.6 kgf-m, 4.5 lb-ft)**



- Install the spark plugs. ( 2-6)

# FI SYSTEM DIAGNOSIS

## CONTENTS

<b>PRECAUTIONS IN SERVICING .....</b>	<b>4- 3</b>
<b>ELECTRICAL PARTS .....</b>	<b>4- 3</b>
<b>FUSE.....</b>	<b>4- 4</b>
<b>ECM/VARIOUS SENSORS .....</b>	<b>4- 4</b>
<b>ELECTRICAL CIRCUIT INSPECTION PROCEDURE.....</b>	<b>4- 6</b>
<b>USING THE MULTI-CIRCUIT TESTER.....</b>	<b>4- 9</b>
<b>FI SYSTEM TECHNICAL FEATURES.....</b>	<b>4-10</b>
<b>INJECTION TIME (INJECTION VOLUME) .....</b>	<b>4-10</b>
<b>COMPENSATION OF INJECTION TIME (VOLUME) .....</b>	<b>4-11</b>
<b>INJECTION STOP CONTROL .....</b>	<b>4-11</b>
<b>FI SYSTEM PARTS LOCATION .....</b>	<b>4-12</b>
<b>FI SYSTEM WIRING DIAGRAM.....</b>	<b>4-14</b>
<b>ECM TERMINAL .....</b>	<b>4-15</b>
<b>SELF-DIAGNOSIS FUNCTION.....</b>	<b>4-17</b>
<b>USER MODE .....</b>	<b>4-17</b>
<b>DEALER MODE.....</b>	<b>4-18</b>
<b>TPS ADJUSTMENT.....</b>	<b>4-20</b>
<b>FAIL-SAFE FUNCTION .....</b>	<b>4-21</b>
<b>FI SYSTEM TROUBLESHOOTING .....</b>	<b>4-23</b>
<b>CUSTOMER COMPLAINT ANALYSIS.....</b>	<b>4-23</b>
<b>VISUAL INSPECTION.....</b>	<b>4-24</b>
<b>SELF-DIAGNOSTIC PROCEDURES.....</b>	<b>4-25</b>
<b>SELF-DIAGNOSIS RESET PROCEDURE.....</b>	<b>4-25</b>
<b>USE OF SDS DIAGNOSTIC PROCEDURES .....</b>	<b>4-26</b>
<b>USE OF SDS DIAGNOSIS RESET PROCEDURE .....</b>	<b>4-27</b>
<b>SHOW DATA WHEN TROUBLE</b>	
<b>(DISPLAING DATA AT THE TIME OF DTC).....</b>	<b>4-28</b>
<b>MALFUNCTION CODE AND DEFECTIVE CONDITION .....</b>	<b>4-29</b>
<b>“C11” (P0340) CMP SENSOR CIRCUIT MALFUNCTION .....</b>	<b>4-33</b>
<b>“C12” (P0335) CKP SENSOR CIRCUIT MALFUNCTION .....</b>	<b>4-35</b>
<b>“C13” (P0105-H/L) IAP SENSOR CIRCUIT MALFUNCTION .....</b>	<b>4-38</b>
<b>“C14” (P0120-H/L) TP SENSOR CIRCUIT MALFUNCTION .....</b>	<b>4-44</b>
<b>“C15” (P0115-H/L) ECT SENSOR CIRCUIT MALFUNCTION .....</b>	<b>4-49</b>
<b>“C21” (P0110-H/L) IAT SENSOR CIRCUIT MALFUNCTION .....</b>	<b>4-53</b>
<b>“C22” (P1450-H/L) AP SENSOR CIRCUIT MALFUNCTION .....</b>	<b>4-57</b>
<b>“C23” (P1651-H/L) TO SENSOR CIRCUIT MALFUNCTION .....</b>	<b>4-63</b>
<b>“C24” (P0351), “C25” (P0352), “C26” (P0353) or</b>	
<b>“C27” (P0354) IGNITION SYSTEM MALFUNCTION.....</b>	<b>4-66</b>
<b>“C28” (P1655) STV ACTUATOR CIRCUIT MALFUNCTION .....</b>	<b>4-67</b>
<b>“C29” (P1654-H/L) STP SENSOR CIRCUIT MALFUNCTION .....</b>	<b>4-70</b>

# FI SYSTEM DIAGNOSIS

## CONTENTS

<b>"C31" (P0705) GP SWITCH CIRCUIT MALFUNCTION.....</b>	<b>4-75</b>
<b>"C32" (P0201), "C33" (P0202), "C34" (P0203) or "C35" (P0204)</b>	
<b>PRIMARY FUEL INJECTOR CIRCUIT MALFUNCTION.....</b>	<b>4-77</b>
<b>"C36" (P1764), "C37" (P1765), "C38" (P1766) or "C39" (P1767)</b>	
<b>SECONDARY FUEL INJECTOR CIRCUIT MALFUNCTION.....</b>	<b>4-80</b>
<b>"C41" (P0230-H/L) FP RELAY CIRCUIT MALFUNCTION .....</b>	<b>4-83</b>
<b>"C42" (P01650) IG SWITCH CIRCUIT MALFUNCTION .....</b>	<b>4-86</b>
<b>"C44" (P0130/P0135) HO2 SENSOR (HO2S)</b>	
<b>CIRCUIT MALFUNCTION (For E-02, 19) .....</b>	<b>4-87</b>
<b>"C46" (P1657-H/L or P1658) EXCV ACTUATOR</b>	
<b>CIRCUIT MALFUNCTION .....</b>	<b>4-91</b>
<b>"C49" (P1656) PAIR CONTROL SOLENOID VALVE</b>	
<b>CIRCUIT MALFUNCTION .....</b>	<b>4-100</b>
<b>"C60" (P0480) COOLING FAN RELAY CIRCUIT MALFUNCTION.....</b>	<b>4-103</b>
<b>SENSORS .....</b>	<b>4-105</b>
<b>CMP SENSOR INSPECTION .....</b>	<b>4-105</b>
<b>CMP SENSOR REMOVAL AND INSTALLATION.....</b>	<b>4-105</b>
<b>CKP SENSOR INSPECTION .....</b>	<b>4-105</b>
<b>CKP SENSOR REMOVAL AND INSTALLATION .....</b>	<b>4-105</b>
<b>IAP SENSOR INSPECTION .....</b>	<b>4-105</b>
<b>IAP SENSOR REMOVAL AND INSTALLATION.....</b>	<b>4-105</b>
<b>TP SENSOR INSPECTION .....</b>	<b>4-105</b>
<b>TP SENSOR REMOVAL AND INSTALLATION .....</b>	<b>4-105</b>
<b>TPS ADJUSTMENT.....</b>	<b>4-105</b>
<b>ECT SENSOR INSPECTION.....</b>	<b>4-106</b>
<b>ECT SENSOR REMOVAL AND INSTALLATION.....</b>	<b>4-106</b>
<b>IAT SENSOR INSPECTION .....</b>	<b>4-106</b>
<b>IAT SENSOR REMOVAL AND INSTALLATION .....</b>	<b>4-106</b>
<b>AP SENSOR INSPECTION .....</b>	<b>4-106</b>
<b>AP SENSOR REMOVAL AND INSTALLATION.....</b>	<b>4-106</b>
<b>TO SENSOR INSPECTION.....</b>	<b>4-106</b>
<b>TO SENSOR REMOVAL AND INSTALLATION.....</b>	<b>4-106</b>
<b>STP SENSOR INSPECTION .....</b>	<b>4-106</b>
<b>STP SENSOR REMOVAL AND INSTALLATION.....</b>	<b>4-106</b>
<b>STP SENSOR ADJUSTMENT .....</b>	<b>4-107</b>
<b>HO2 SENSOR INSPECTION (For E-02, 19).....</b>	<b>4-107</b>
<b>HO2 SENSOR REMOVAL AND INSTALLATION .....</b>	<b>4-107</b>



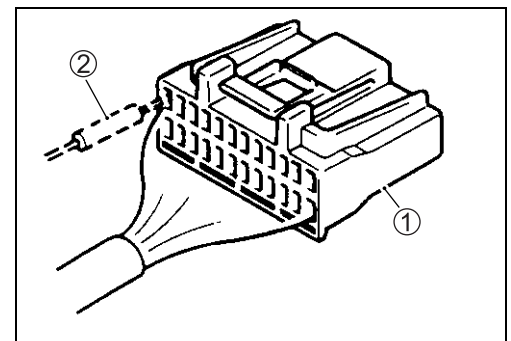
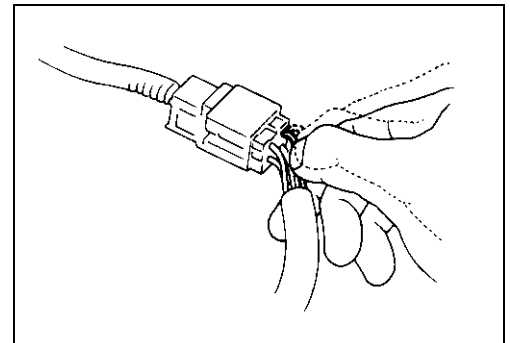
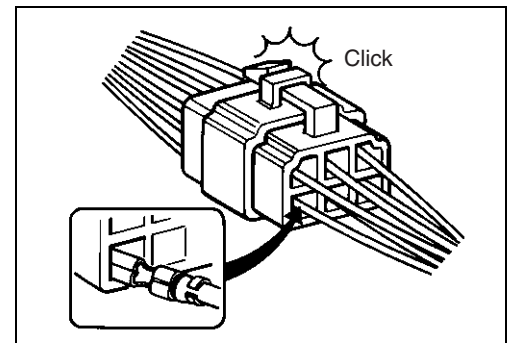
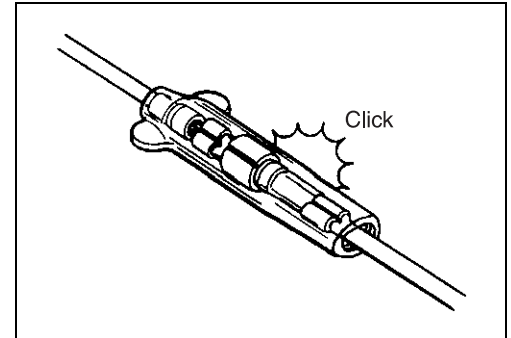
## PRECAUTIONS IN SERVICING

When handling the component parts or servicing the FI system, observe the following points for the safety of the system.

### ELECTRICAL PARTS

#### CONNECTOR/COUPLER

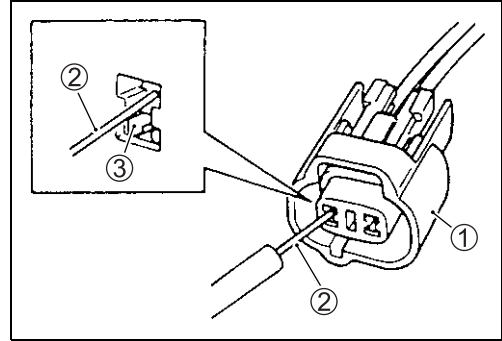
- When connecting a connector, be sure to push it in until a click is felt.
- With a lock type coupler, be sure to release the lock when disconnecting, and push in fully to engage the lock when connecting.
- When disconnecting the coupler, be sure to hold the coupler body and do not pull the lead wires.
- Inspect each terminal on the connector/coupler for looseness or bending.
- Inspect each terminal for corrosion and contamination. The terminals must be clean and free of any foreign material which could impede proper terminal contact.
- Inspect each lead wire circuit for poor connection by shaking it by hand lightly. If any abnormal condition is found, repair or replace.
- When taking measurements at electrical connectors using a tester probe, be sure to insert the probe from the wire harness side (backside) of the connector/coupler.



- ① Coupler
- ② Probe

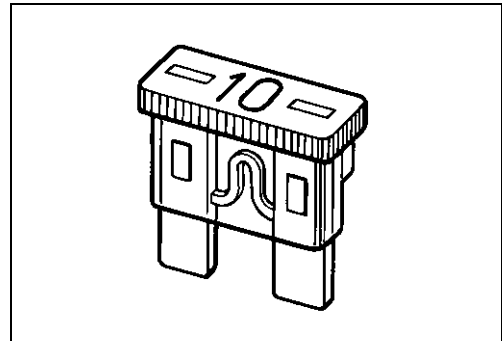
- When connecting meter probe from the terminal side of the coupler (where connection from harness side not being possible), use extra care not to force and cause the male terminal to bend or the female terminal to open. Connect the probe as shown to avoid opening of female terminal. Never push in the probe where male terminal is supposed to fit.
- Check the male connector for bend and female connector for excessive opening. Also check the coupler for locking (looseness), corrosion, dust, etc.

- ① Coupler
- ② Probe
- ③ Where male terminal fits



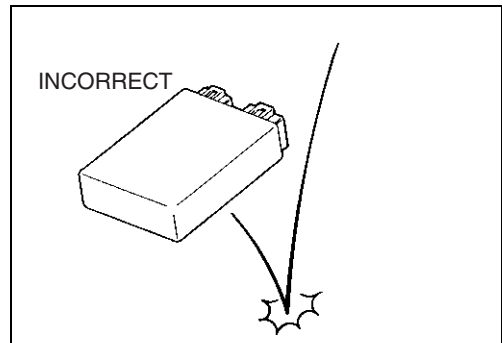
## FUSE

- When a fuse blows, always investigate the cause to correct it and then replace the fuse.
- Do not use a fuse of a different capacity.
- Do not use wire or any other substitute for the fuse.

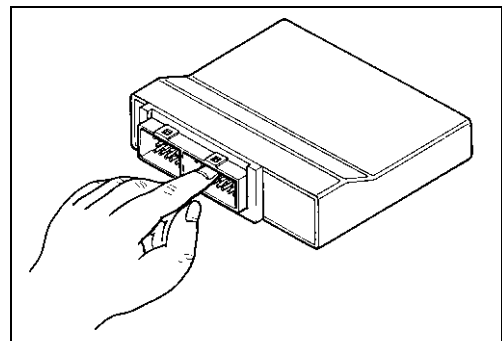


## ECM/VARIOUS SENSORS

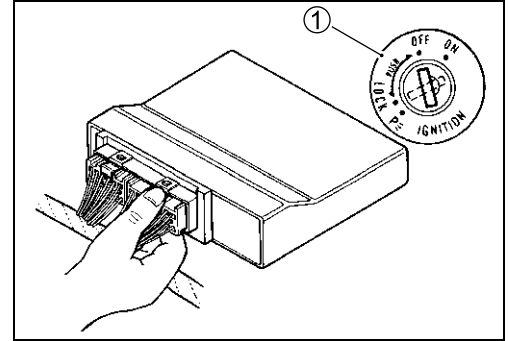
- Since each component is a high-precision part, great care should be taken not to apply any sharp impacts during removal and installation.



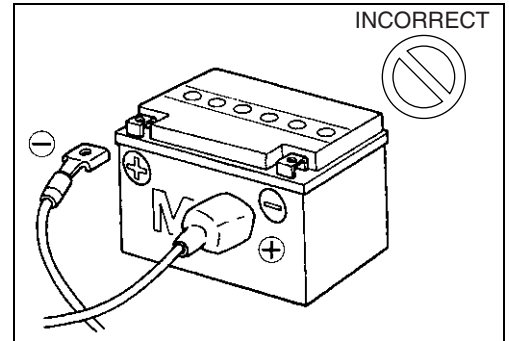
- Be careful not to touch the electrical terminals of the ECM. The static electricity from your body may damage this part.



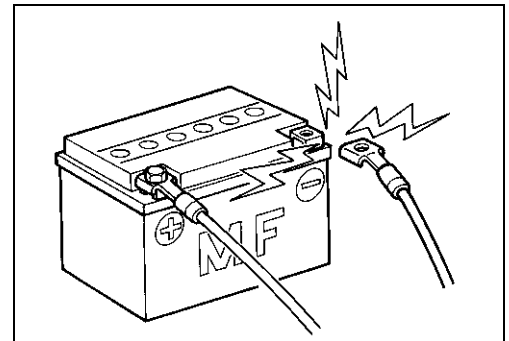
- When disconnecting and connecting the ECM, make sure to turn OFF the ignition switch ①, or electronic parts may get damaged.



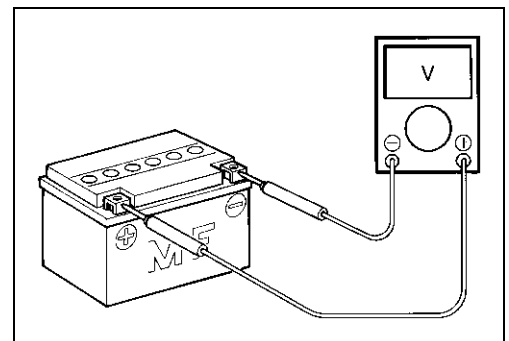
- Battery connection in reverse polarity is strictly prohibited. Such a wrong connection will damage the components of the FI system instantly when reverse power is applied.



- Removing any battery terminal of a running engine is strictly prohibited. The moment such removal is made, damaging counter electromotive force will be applied to the ECM which may result in serious damage.



- Before measuring voltage at each terminal, check to make sure that battery voltage is 11 V or higher. Terminal voltage check with a low voltage battery will lead to erroneous diagnosis.



- Never connect any tester (voltmeter, ohmmeter, or whatever) to the ECM when its coupler is disconnected. Otherwise, damage to ECM may result.
- Never connect an ohmmeter to the ECM with its coupler connected. If attempted, damage to ECM or sensors may result.
- Be sure to use a specified voltmeter/ohmmeter. Otherwise, accurate measurements may not be obtained and personal injury may result.

## ELECTRICAL CIRCUIT INSPECTION PROCEDURE

While there are various methods for electrical circuit inspection, described here is a general method to check for open and short circuit using an ohmmeter and a voltmeter.

### OPEN CIRCUIT CHECK

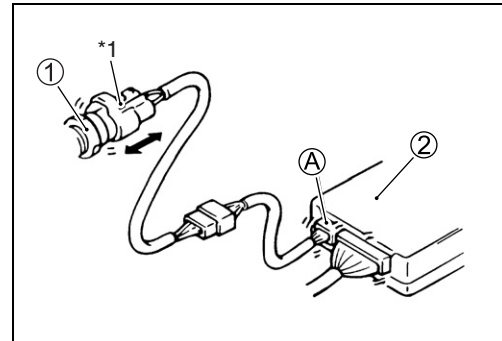
Possible causes for the open circuits are as follows. As the cause can exist in the connector/coupler or terminal, they need to be checked carefully.

- Loose connection of connector/coupler.
- Poor contact of terminal (due to dirt, corrosion or rust, poor contact tension, entry of foreign object etc.).
- Wire harness being open.
- Poor terminal-to-wire connection.
- Disconnect the negative cable from the battery.
- Check each connector/coupler at both ends of the circuit being checked for loose connection. Also check for condition of the coupler lock if equipped.

① Sensor

② ECM

\*1 Check for loose connection.



- Using a test male terminal, check the female terminals of the circuit being checked for contact tension.

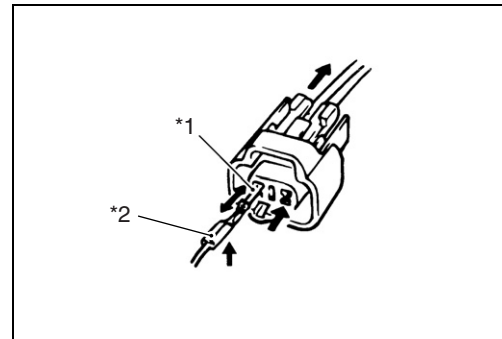
Check each terminal visually for poor contact (possibly caused by dirt, corrosion, rust, entry of foreign object, etc.). At the same time, check to make sure that each terminal is fully inserted in the coupler and locked.

If contact tension is not enough, rectify the contact to increase tension or replace.

The terminals must be clean and free of any foreign material which could impede proper terminal contact.

\*1 Check contact tension by inserting and removing.

\*2 Check each terminal for bend and proper alignment.

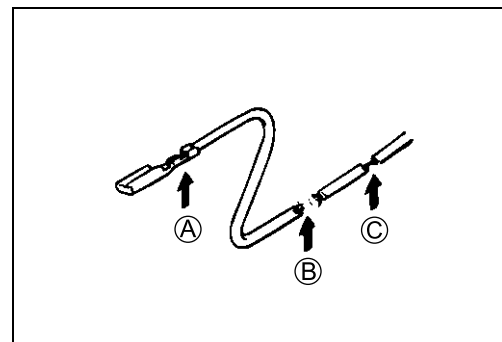


- Using continuity inspect or voltage check procedure as described below, inspect the wire harness terminals for open circuit and poor connection. Locate abnormality, if any.

(A) Looseness of crimping

(B) Open

(C) Thin wire (a few strands left)

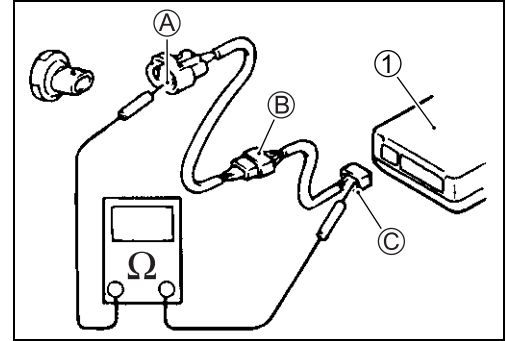


**Continuity check**

- Measure resistance across coupler ② (between ① and ③ in the figure).

If no continuity is indicated (infinity or over limit), the circuit is open between terminals ① and ③.

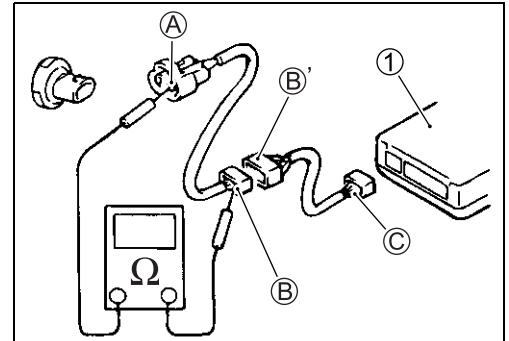
① ECM



- Disconnect the coupler ② and measure resistance between couplers ① and ②.

If no continuity is indicated, the circuit is open between couplers ① and ②. If continuity is indicated, there is an open circuit between couplers ②' and ③ or an abnormality in coupler ②' or coupler ③.

① ECM



**VOLTAGE CHECK**

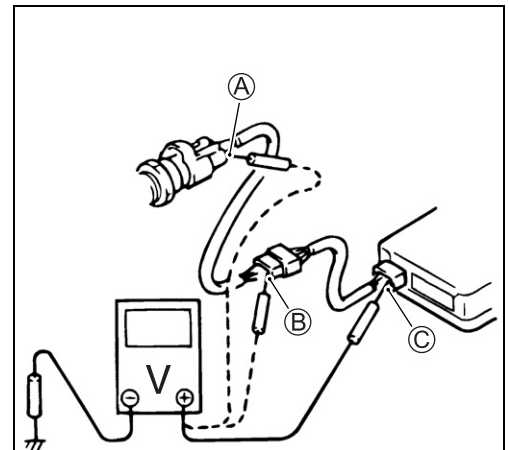
If voltage is supplied to the circuit being checked, voltage check can be used as circuit check.

- With all connectors/couplers connected and voltage applied to the circuit being checked, measure voltage between each terminal and body ground.

If measurements were taken as shown in the figure at the right and results are as listed below, it means that the circuit is open between terminals ① and ②.

**Voltage Between:**

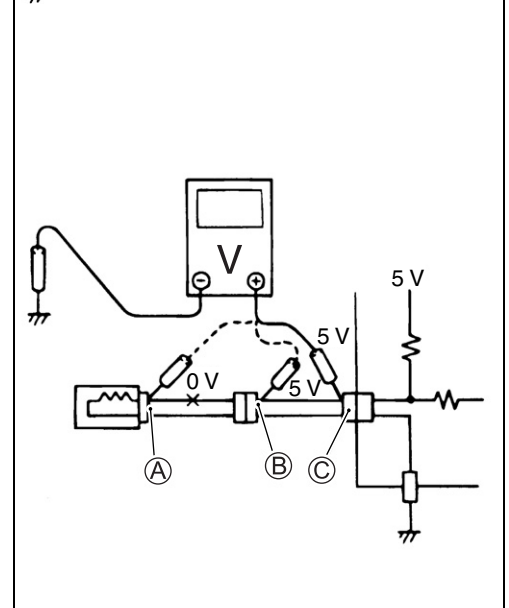
- ③ and body ground: Approx. 5 V
- ② and body ground: Approx. 5 V
- ① and body ground: 0 V



Also, if measured values are as listed below, a resistance (abnormality) exists which causes the voltage drop in the circuit between terminals ① and ②.

**Voltage Between:**

- ③ and body ground: Approx. 5 V
  - ② and body ground: Approx. 5 V
  - ① and body ground: 3 V
- } 2 V voltage drop





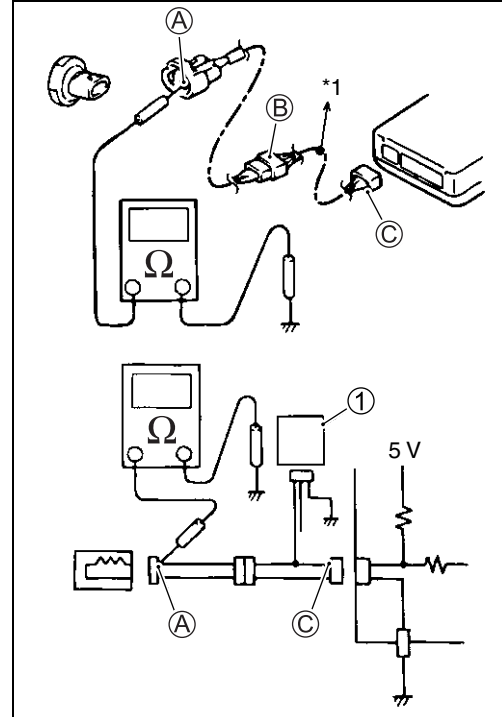
**SHORT CIRCUIT CHECK (WIRE HARNESS TO GROUND)**

- Disconnect the negative cable from the battery.
- Disconnect the connectors/couplers at both ends of the circuit to be checked.

**NOTE:**

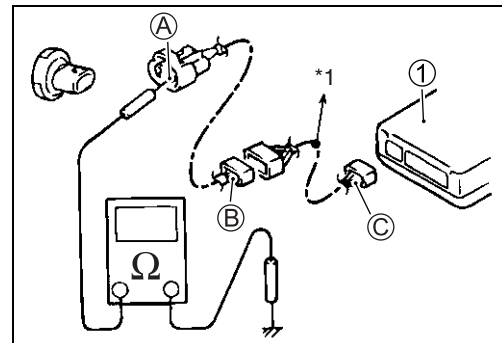
*If the circuit to be checked branches to other parts as shown, disconnect all connectors/couplers of those parts. Otherwise, diagnosis will be misled.*

- Measure resistance between terminal at one end of circuit (A terminal in figure) and body ground. If continuity is indicated, there is a short circuit to ground between terminals A and C.



① Other parts  
\*1 To other parts

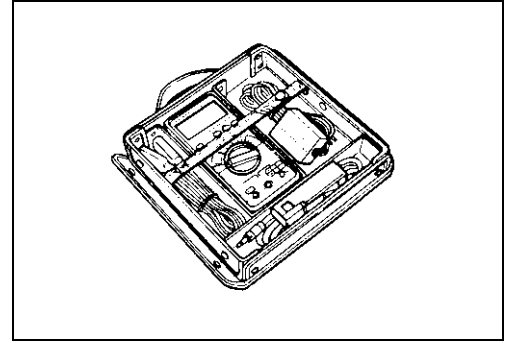
- Disconnect the connector/coupler included in circuit (coupler B) and measure resistance between terminal A and body ground. If continuity is indicated, the circuit is shorted to the ground between terminals A and B.



① ECM  
\*1 To other parts

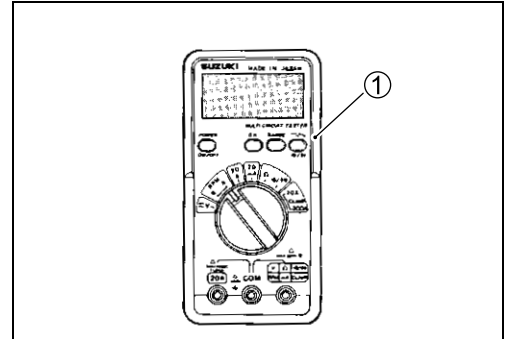
## USING THE MULTI-CIRCUIT TESTER

- Use the Suzuki multi-circuit tester set (09900-25008).
- Use well-charged batteries in the tester.
- Be sure to set the tester to the correct testing range.



## USING THE TESTER

- Incorrectly connecting the  $\oplus$  and  $\ominus$  probes may cause the inside of the tester to burnout.
- If the voltage and current are not known, make measurements using the highest range.
- When measuring the resistance with the multi-circuit tester ①,  $\infty$  will be shown as 10.00 M $\Omega$  and "1" flashes in the display.
- Check that no voltage is applied before making the measurement. If voltage is applied the tester may be damaged.
- After using the tester, turn the power off.

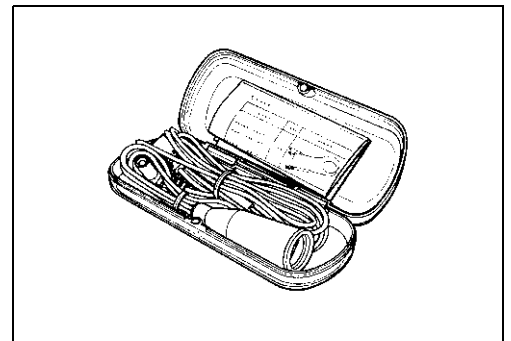


### 09900-25008: Multi-circuit tester set

#### NOTE:

- \* When connecting the multi-circuit tester, use the needle pointed probe to the back side of the lead wire coupler and connect the probes of tester to them.
- \* Use the needle pointed probe to prevent the rubber of the water proof coupler from damage.

### 09900-25009: Needle pointed probe set

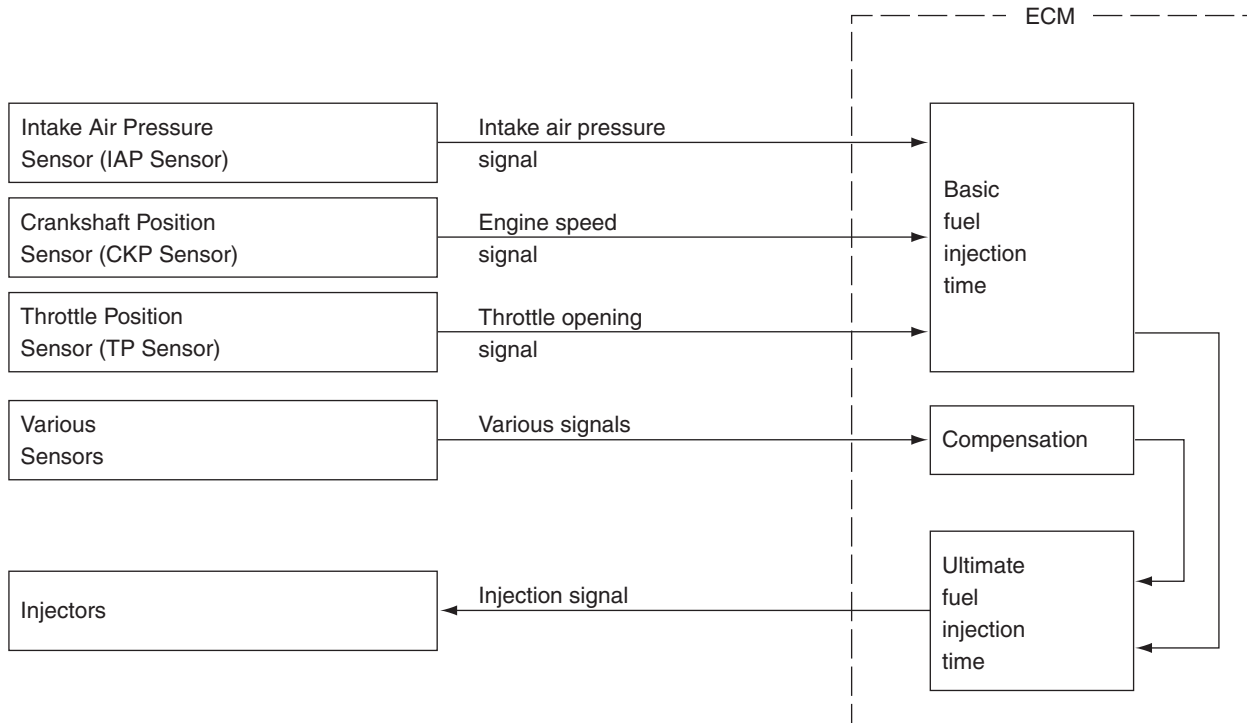


## FI SYSTEM TECHNICAL FEATURES

### INJECTION TIME (INJECTION VOLUME)

The factors to determine the injection time include the basic fuel injection time, which is calculated on the basis of intake air pressure, engine speed and throttle opening angle, and various compensations.

These compensations are determined according to the signals from various sensors that detect the engine and driving conditions.



## COMPENSATION OF INJECTION TIME (VOLUME)

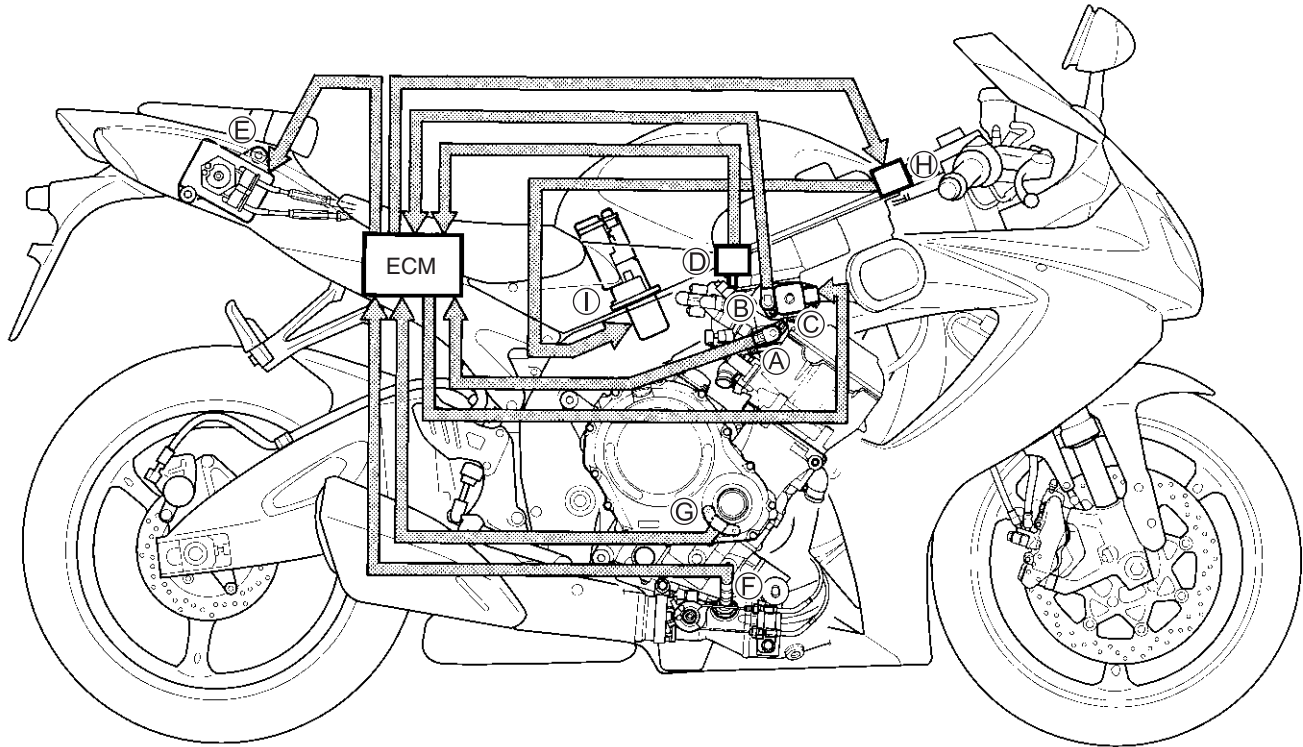
The following different signals are output from the respective sensors for compensation of the fuel injection time (volume).

SIGNAL	DESCRIPTION
ATMOSPHERIC PRESSURE SENSOR SIGNAL	When atmospheric pressure is low, the sensor sends the signal to the ECM and reduce the injection time (volume).
ENGINE COOLANT TEMPERATURE SENSOR SIGNAL	When engine coolant temperature is low, injection time (volume) is increased.
INTAKE AIR TEMPERATURE SENSOR SIGNAL	When intake air temperature is low, injection time (volume) is increased.
HEATED OXYGEN SENSOR SIGNAL (For E-02, 19)	Air/fuel ratio is compensated to the theoretical ratio from density of oxygen in exhaust gasses. The compensation occurs in such a way that more fuel is supplied if detected air/fuel ratio is lean and less fuel is supplied if it is rich.
BATTERY VOLTAGE SIGNAL	ECM operates on the battery voltage and at the same time, it monitors the voltage signal for compensation of the fuel injection time (volume). A longer injection time is needed to adjust injection volume in the case of low voltage.
ENGINE RPM SIGNAL	At high speed, the injection time (volume) is increased. This is the compensation of the SRAD.
STARTING SIGNAL	When starting engine, additional fuel is injected during cranking engine.
ACCELERATION SIGNAL/ DECELERATION SIGNAL	During acceleration, the fuel injection time (volume) is increased in accordance with the throttle opening speed and engine rpm. During deceleration, the fuel injection time (volume) is decreased.

## INJECTION STOP CONTROL

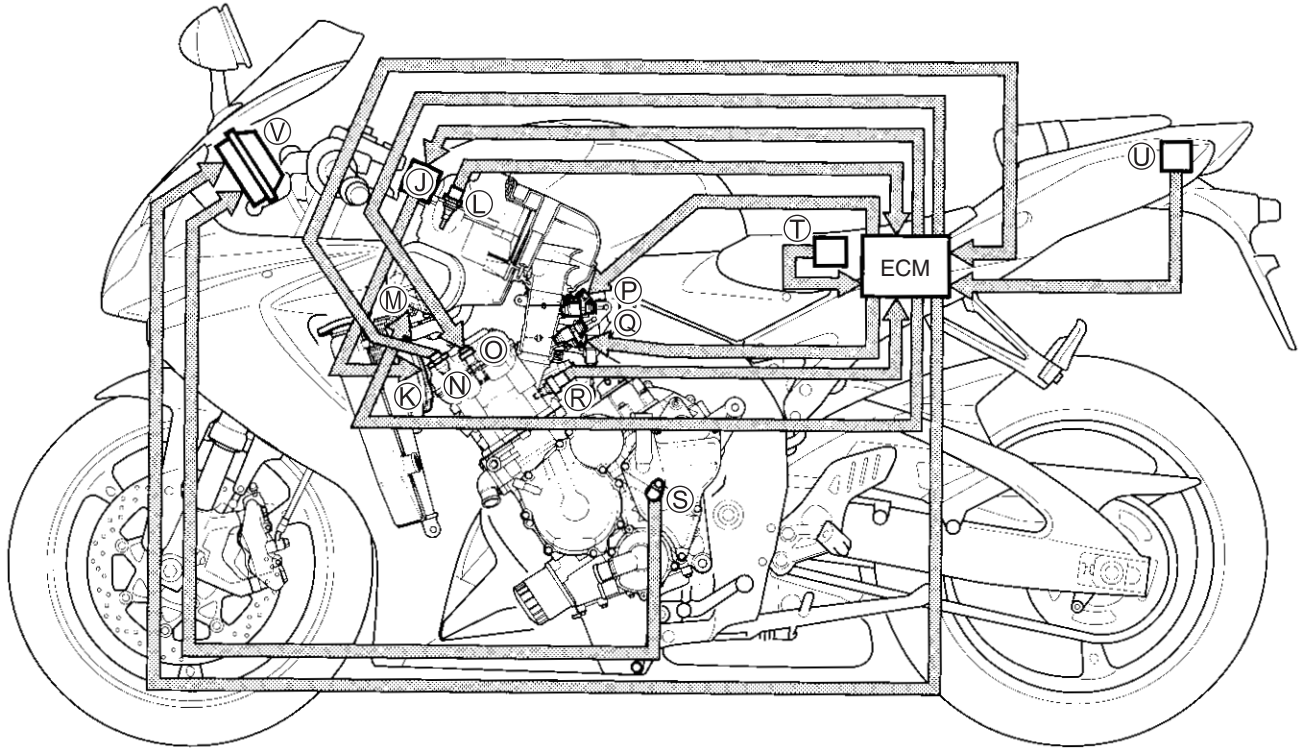
SIGNAL	DESCRIPTION
TIP-OVER SENSOR SIGNAL (FUEL SHUT-OFF)	When the motorcycle tips over, the tip-over sensor sends a signal to the ECM. Then, this signal cuts OFF current supplied to the fuel pump, fuel injectors and ignition coils.
OVER-REV. LIMITER SIGNAL	The fuel injectors stop operation when engine rpm reaches rev. limit rpm.

## FI SYSTEM PARTS LOCATION



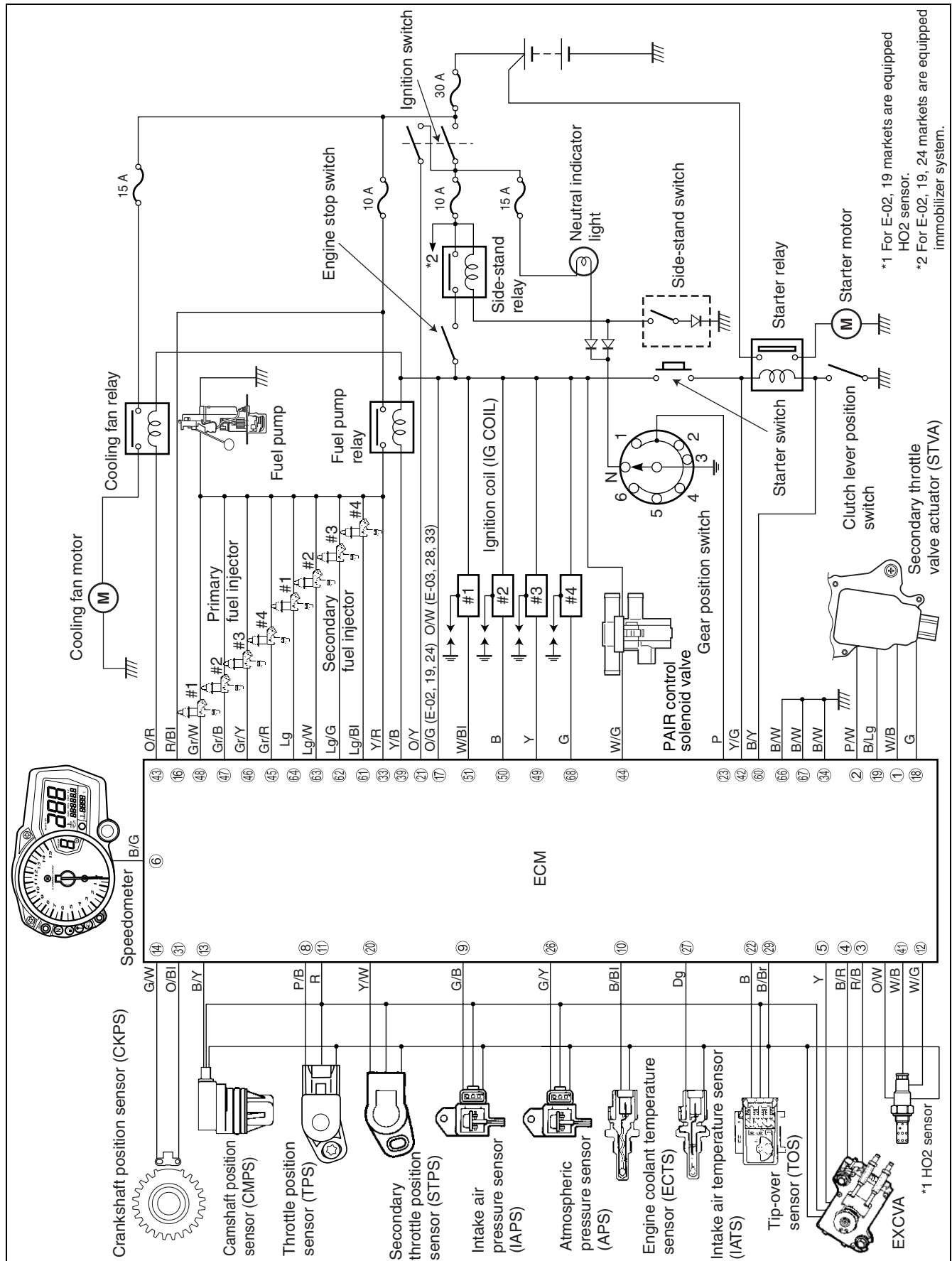
- |  |   |
|--|---|
| Ⓐ Throttle position sensor (TPS)           | Ⓑ Secondary throttle position sensor (STPS) |
| Ⓒ Secondary throttle valve actuator (STVA) | Ⓓ Intake air pressure sensor (IAPS)         |
| Ⓔ Exhaust control valve actuator (EXCVA)   | Ⓕ HO2 sensor (For E-02, 19)                 |
| Ⓖ Crankshaft position sensor (CKPS)        | Ⓖ Fuel pump relay (FP relay)                |
| Ⓘ Fuel pump (FP)                           |   |



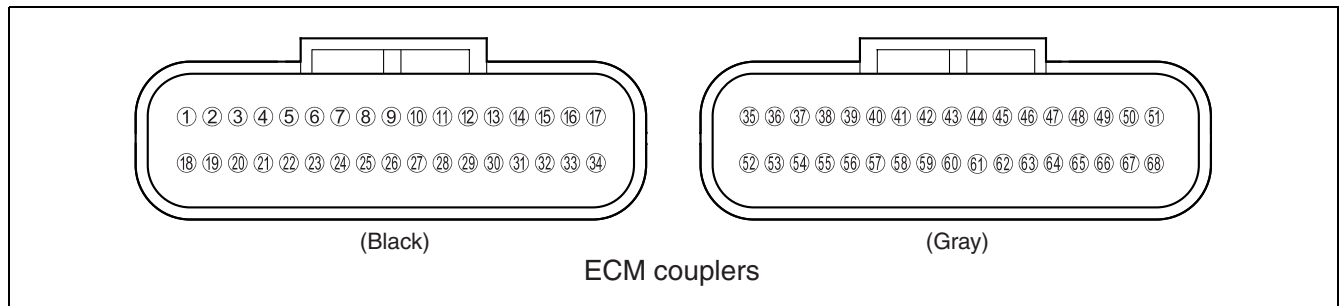


- |  |                               |
|--|-------------------------------|
| Ⓝ Cooling fan relay                        | Ⓚ Cooling fan                 |
| Ⓛ Intake air temperature sensor (IATS)     | Ⓜ PAIR control solenoid valve |
| Ⓝ Camshaft position sensor (CMPS)          | Ⓞ Ignition coil (IG COIL)     |
| Ⓟ Secondary fuel injector                  | Ⓠ Primary fuel injector       |
| Ⓡ Engine coolant temperature sensor (ECTS) | Ⓢ Speed sensor                |
| Ⓣ Atmospheric pressure sensor (APS)        | Ⓤ Tip-over sensor (TOS)       |
| Ⓥ Speedometer                              |                               |

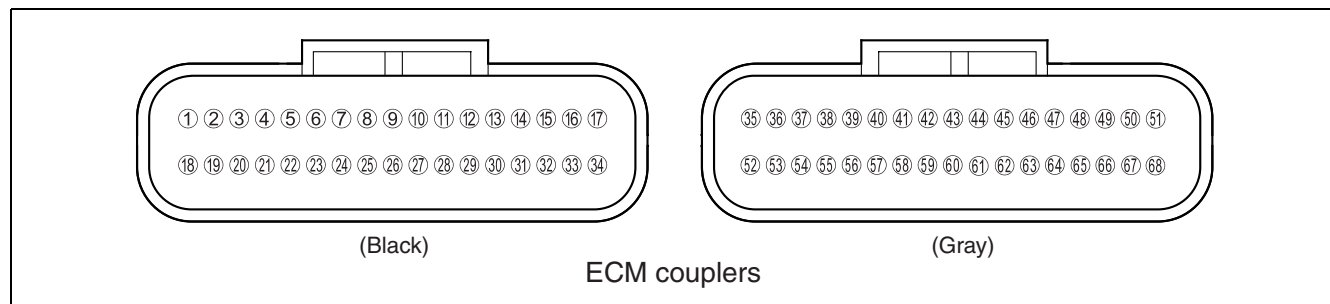
# FI SYSTEM WIRING DIAGRAM



## ECM TERMINAL



TERMINAL NO.	CIRCUIT	TERMINAL NO.	CIRCUIT
①	STVA signal (STVA. 2A)	⑱	STVA signal (STVA. 2B)
②	STVA signal (STVA. 1A)	⑲	STVA signal (STVA. 1B)
③	EXCVA power (MO-)	⑳	STP sensor signal (STP)
④	EXCVA power (MO+)	㉑	Ignition switch signal [For E-03, 28, 33]
⑤	EXCVA position sensor (MPS)	㉒	TO sensor signal (TOS)
⑥	Serial data for speedometer	㉓	GP switch signal (GP)
⑦	—	㉔	—
⑧	TP sensor signal (TP)	㉕	Blank
⑨	IAP sensor signal (IAP)	㉖	AP sensor signal (AP)
⑩	ECT sensor signal (ECT)	㉗	IAT sensor signal (IAT)
⑪	Power source for sensors (VCC)	㉘	Blank
⑫	HO2 sensor signal (OX) [For E-02, 19, 24]	㉙	Sensors ground (E2)
⑬	CMP sensor signal (CMP+)	⑳	HO2 sensor control selector [For E-02, 19]
⑭	CKP sensor signal (CKP+)	㉑	CKP sensor signal (CKP-)
⑮	—	㉒	Serial data for self-diagnosis
⑯	Power source for back-up	㉓	Power source for fuel injectors (VM)
⑰	Power source	㉔	ECM ground (E1)



TERMINAL NO.	CIRCUIT	TERMINAL NO.	CIRCUIT
③⑤	—	⑤②	—
③⑥	—	⑤③	—
③⑦	—	⑤④	—
③⑧	Tachometer	⑤⑤	—
③⑨	Fuel pump relay (FP Relay)	⑤⑥	—
④①	Immobilizer communication [For E-02, 19, 24]	⑤⑦	Immobilizer communication [For E-02, 19, 24]
④①	HO2 sensor heater (OXH) [For E-02, 19]	⑤⑧	Mode select switch
④②	Starter relay	⑤⑨	Neutral switch
④③	Cooling fan relay (FAR)	⑥①	Clutch position switch
④④	PAIR control solenoid valve (PAIR)	⑥②	Secondary fuel injector #4 (#42)
④⑤	Primary fuel injector #4 (#41)	⑥③	Secondary fuel injector #3 (#32)
④⑥	Primary fuel injector #3 (#31)	⑥④	Secondary fuel injector #2 (#22)
④⑦	Primary fuel injector #2 (#21)	⑥⑤	Secondary fuel injector #1 (#12)
④⑧	Primary fuel injector #1 (#11)	⑥⑥	—
④⑨	Ignition coil #3	⑥⑦	General ground (E01)
⑤①	Ignition coil #2	⑥⑧	Ground for ignition system (E03)
⑤①	Ignition coil #1	⑥⑧	Ignition coil #4

## SELF-DIAGNOSIS FUNCTION

The self-diagnosis function is incorporated in the ECM. The function has two modes, "User mode" and "Dealer mode". The user can only be notified by the LCD (DISPLAY) panel and LED (FI light). To check the function of the individual FI system devices, the dealer mode is provided. In this check, the special tool is necessary to read the code of the malfunction items.

### USER MODE

MALFUNCTION	LCD (DISPLAY) INDICATION	FI LIGHT INDICATION	INDICATION MODE
"NO"	Coolant temperature	—	—
"YES"	Coolant temperature and "FI" letters *1	FI light turns ON.	Each 2 sec. Coolant temperature or "FI" is indicated.
	Engine can start Engine can not start	"FI" letter *2	"FI" is indicated continuously.

\*1

When one of the signals is not received by ECM, the fail-safe circuit works and injection is not stopped. In this case, "FI" and coolant temperature are indicated in the LCD panel and motorcycle can run.

\*2

The injection signal is stopped, when the camshaft position sensor signal, crankshaft position sensor signal, tip-over sensor signal, #1, #2, #3 and #4 ignition signals, #1, #2, #3 and #4 injector signals, fuel pump relay signal or ignition switch signal is not sent to ECM. In this case, "FI" is indicated in the LCD panel. Motorcycle does not run.

"CHEC": The LCD panel indicates "CHEC" when no communication signal from the ECM is received for 5 seconds.

For Example:

The ignition switch is turned ON, and the engine stop switch is turned OFF. In this case, the speedometer does not receive any signal from ECM, and the panel indicates "CHEC".

If CHEC is indicated, the LCD does not indicate the trouble code. It is necessary to check the wiring harness between ECM and speedometer couplers.

The possible cause of this indication is as follows;

Engine stop switch is in OFF position. Side-stand/ignition inter-lock system is not working. Ignition fuse is burnt.

**NOTE:**

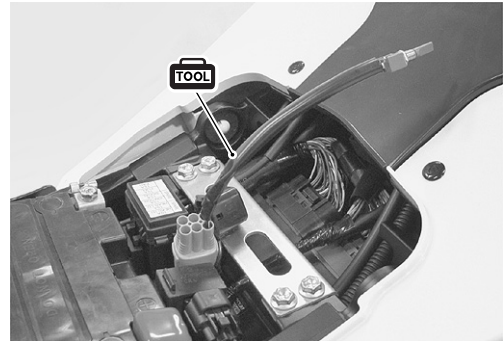
*Until starting the engine, the FI light turns ON.*

*The FI light is also turned ON when engine temperature is high or oil pressure is low.*

## DEALER MODE

The defective function is memorized in the computer. Use the special tool's coupler to connect to the dealer mode coupler. The memorized malfunction code is displayed on LCD (DISPLAY) panel. Malfunction means that the ECM does not receive signal from the devices. These affected devices are indicated in the code form.

 **09930-82720: Mode select switch**



### CAUTION

**Before checking the malfunction code, do not disconnect the ECM lead wire couplers. If the couplers from the ECM are disconnected, the malfunction code memory is erased and the malfunction code can not be checked.**

MALFUNCTION	LCD (DISPLAY) INDICATION	FI LIGHT INDICATION	INDICATION MODE
"NO"	C00	FI light turns OFF.	—
"YES"	C**code is indicated from small numeral to large one.		For each 2 sec., code is indicated.



CODE	MALFUNCTION PART	REMARKS	
C00	None	No defective part	
C11	Camshaft position sensor (CMPS)	Pick-up coil signal, signal generator  *1	
C12	Crankshaft position sensor (CKPS)		
C13	Intake air pressure sensor (IAPS)		
C14	Throttle position sensor (TPS)		
C15	Engine coolant temperature sensor (ECTS)		
C21	Intake air temperature sensor (IATS)		
C22	Atmospheric pressure sensor (APS)		
C23	Tip-over sensor (TOS)		
C24	Ignition signal #1 (IG coil #1)		For #1 cylinder
C25	Ignition signal #2 (IG coil #2)		For #2 cylinder
C26	Ignition signal #3 (IG coil #3)		For #3 cylinder
C27	Ignition signal #4 (IG coil #4)		For #4 cylinder
C28	Secondary throttle valve actuator (STVA)		
C29	Secondary throttle position sensor (STPS)		
C31	Gear position signal (GP switch)		
C32	Primary injector signal #1 (FI #1)	For #1 cylinder	
C33	Primary injector signal #2 (FI #2)	For #2 cylinder	
C34	Primary injector signal #3 (FI #3)	For #3 cylinder	
C35	Primary injector signal #4 (FI #4)	For #4 cylinder	
C36	Secondary injector signal #1	For #1 cylinder	
C37	Secondary injector signal #2	For #2 cylinder	
C38	Secondary injector signal #3	For #3 cylinder	
C39	Secondary injector signal #4	For #4 cylinder	
C41	Fuel pump control system (FP control system)	Fuel pump, Fuel pump relay	
C42	Ignition switch signal (IG switch signal/immobilizer for E-02, 19, 24)	Anti-theft	
C44	HO2 Sensor (For E-02, 19)		
C46	Exhaust control valve actuator (EXCVA)		
C49	PAIR control solenoid valve		
C60	Cooling fan control system	Cooling fan relay	

In the LCD (DISPLAY) panel, the malfunction code is indicated from small code to large code.

\*1

To get the proper signal from the throttle position sensor, the sensor basic position is indicated in the LCD (DISPLAY) panel. The malfunction code is indicated in three digits. In front of the three digits, a line appears in any of the three positions, upper, middle or lower line. If the indication is upper or lower line when engine rpm is 1 300 r/min, slightly turn the throttle position sensor and bring the line to the middle.

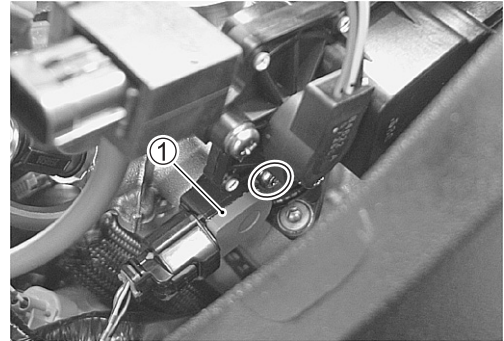
In the normal condition, the throttle valve stop screw pushes throttle valves slightly, and the middle line will be indicated.

## TPS ADJUSTMENT

1. Adjust the engine rpm to 1 300 r/min. (☞ 2-14)
2. Connect the special tool (Mode select switch) to the dealer mode coupler at the wiring harness.

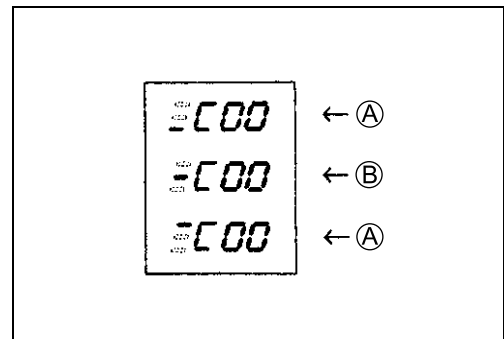


3. If the throttle position sensor adjustment is necessary, remove the aircleaner box and lift up the throttle body. (☞ 5-14)
4. Loosen the screw and slide the throttle position sensor ① to bring the line to the middle.
5. Then, tighten the screw to fix the throttle position sensor.



**TOOL** 09930-11950: Torx wrench  
09930-82720: Mode select switch

The LCD displays the line for 0.4 sec. at a time, and when such a display repeats two times, it indicates the current position where the sensor is fixed.



- Ⓐ Incorrect  
Ⓑ Correct position

## FAIL-SAFE FUNCTION

FI system is provided with fail-safe function to allow the engine to start and the motorcycle to run in a minimum performance necessary even under malfunction condition.

ITEM	FAIL-SAFE MODE	STARTING ABILITY	RUNNING ABILITY
CMP sensor	When camshaft position signal has failed during running, the ECM determines the cylinder positions as # to be the same as before occurrence of such a failure.	"NO"	"YES"
		Motorcycle can run, but once engine stops, engine can not start.	
IAP sensor	Intake air pressure is fixed to 101 kPa (760 mmHg).	"YES"	"YES"
TP sensor	The throttle opening is fixed to full open position. Ignition timing is also fixed.	"YES"	"YES"
ECT sensor	Engine coolant temperature value is fixed to 80 °C (176 °F). Cooling fan is fixed on position.	"YES"	"YES"
IAT sensor	Intake air temperature value is fixed to 40 °C (104 °F).	"YES"	"YES"
AP sensor	Atmospheric pressure is fixed to 101 kPa (760 mmHg).	"YES"	"YES"
Ignition signal	#1 Ignition-off	"YES"	"YES"
		#2, #3 & #4 cylinders can run.	
	#2 Ignition-off	"YES"	"YES"
		#1, #3 & #4 cylinders can run.	
	#3 Ignition-off	"YES"	"YES"
	#1, #2 & #4 cylinders can run.		
	#4 Ignition-off	"YES"	"YES"
		#1, #2 & #3 cylinders can run.	
Primary injection signal	#1 Fuel-cut (primary side)	"YES"	"YES"
		#2, #3 & #4 cylinders can run.	
	#2 Fuel-cut (primary side)	"YES"	"YES"
		#1, #3 & #4 cylinders can run.	
	#3 Fuel-cut (primary side)	"YES"	"YES"
	#1, #2 & #4 cylinders can run.		
	#4 Fuel-cut (primary side)	"YES"	"YES"
		#1, #2 & #3 cylinders can run.	

ITEM	FAIL-SAFE MODE	STARTING ABILITY	RUNNING ABILITY
Secondary injection signal	#1 Fuel-cut (secondary side)	—	“YES”
		#2, #3 & #4 cylinders can run.	
	#2 Fuel-cut (secondary side)	—	“YES”
		#1, #3 & #4 cylinders can run.	
	#3 Fuel-cut (secondary side)	—	“YES”
		#1, #2 & #4 cylinders can run.	
#4 Fuel-cut (secondary side)	—	“YES”	
	#1, #2 & #3 cylinders can run.		
Secondary throttle valve actuator	Secondary throttle valve is fixed to full close position. When motor disconnection or lock occurs, power from ECM is shut off.	“YES”	“YES”
STP sensor	Secondary throttle valve is fixed to full close position.	“YES”	“YES”
Gear position signal	Gear position signal is fixed to 6th gear.	“YES”	“YES”
HO2 sensor (For E-02, 19)	Feedback compensation is inhibited. (Air/fuel ratio is fixed to normal.)	“YES”	“YES”
PAIR control solenoid valve	ECM stops controlling PAIR control solenoid valve.	“YES”	“YES”
EXCV actuator	EXCV actuator is fixed to full open position. When motor disconnection or lock occurs, power from ECM is shut off.	“YES”	“YES”

The engine can start and can run even if the above signal is not received from each sensor. But, the engine running condition is not complete, providing only emergency help (by fail-safe circuit). In this case, it is necessary to bring the motorcycle to the workshop for complete repair.

When two ignition signals or two injector signals are not received by ECM, the fail-safe circuit can not work and ignition or injection is stopped.

# FI SYSTEM TROUBLESHOOTING

## CUSTOMER COMPLAINT ANALYSIS

Record details of the problem (failure, complaint) and how it occurred as described by the customer. For this purpose, use of such an inspection form such as below will facilitate collecting information required for proper analysis and diagnosis.

### EXAMPLE: CUSTOMER PROBLEM INSPECTION FORM

User name:	Model:	VIN:	
Date of issue:	Date Reg.	Date of problem:	Mileage:

Malfunction indicator lamp condition (LED)	<input type="checkbox"/> Always ON <input type="checkbox"/> Sometimes ON <input type="checkbox"/> Always OFF <input type="checkbox"/> Good condition
Malfunction display/code (LCD)	User mode: <input type="checkbox"/> No display <input type="checkbox"/> Malfunction display (            )
	Dealer mode: <input type="checkbox"/> No code <input type="checkbox"/> Malfunction code (            )

PROBLEM SYMPTOMS	
<input type="checkbox"/> <b>Difficult Starting</b> <input type="checkbox"/> No cranking <input type="checkbox"/> No initial combustion <input type="checkbox"/> No combustion <input type="checkbox"/> Poor starting at ( <input type="checkbox"/> cold <input type="checkbox"/> warm <input type="checkbox"/> always) <input type="checkbox"/> Other _____	<input type="checkbox"/> <b>Poor Driveability</b> <input type="checkbox"/> Hesitation on acceleration <input type="checkbox"/> Back fire/ <input type="checkbox"/> After fire <input type="checkbox"/> Lack of power <input type="checkbox"/> Surging <input type="checkbox"/> Abnormal knocking <input type="checkbox"/> Engine rpm jumps briefly <input type="checkbox"/> Other _____
<input type="checkbox"/> <b>Poor Idling</b> <input type="checkbox"/> Poor fast Idle <input type="checkbox"/> Abnormal idling speed ( <input type="checkbox"/> High <input type="checkbox"/> Low) (        r/min) <input type="checkbox"/> Unstable <input type="checkbox"/> Hunting (        r/min to        r/min) <input type="checkbox"/> Other _____	<input type="checkbox"/> <b>Engine Stall when</b> <input type="checkbox"/> Immediately after start <input type="checkbox"/> Throttle valve is opened <input type="checkbox"/> Throttle valve is closed <input type="checkbox"/> Load is applied <input type="checkbox"/> Other _____
<input type="checkbox"/> OTHERS:	

MOTORCYCLE/ENVIRONMENTAL CONDITION WHEN PROBLEM OCCURS	
<b>Environmental condition</b>	
Weather	<input type="checkbox"/> Fair <input type="checkbox"/> Cloudy <input type="checkbox"/> Rain <input type="checkbox"/> Snow <input type="checkbox"/> Always <input type="checkbox"/> Other _____
Temperature	<input type="checkbox"/> Hot <input type="checkbox"/> Warm <input type="checkbox"/> Cool <input type="checkbox"/> Cold (      °C/      °F) <input type="checkbox"/> Always
Frequency	<input type="checkbox"/> Always <input type="checkbox"/> Sometimes (      times/      day, month) <input type="checkbox"/> Only once
	<input type="checkbox"/> Under certain condition
Road	<input type="checkbox"/> Urban <input type="checkbox"/> Suburb <input type="checkbox"/> Highway <input type="checkbox"/> Mountainous ( <input type="checkbox"/> Uphill <input type="checkbox"/> Downhill)
	<input type="checkbox"/> Tarmacadam <input type="checkbox"/> Gravel <input type="checkbox"/> Other _____
<b>Motorcycle condition</b>	
Engine condition	<input type="checkbox"/> Cold <input type="checkbox"/> Warming up phase <input type="checkbox"/> Warmed up <input type="checkbox"/> Always <input type="checkbox"/> Other at starting
	<input type="checkbox"/> Immediately after start <input type="checkbox"/> Racing without load <input type="checkbox"/> Engine speed (      r/min)
Motorcycle condition	During driving: <input type="checkbox"/> Constant speed <input type="checkbox"/> Accelerating <input type="checkbox"/> Decelerating
	<input type="checkbox"/> Right hand corner <input type="checkbox"/> Left hand corner
	<input type="checkbox"/> At stop <input type="checkbox"/> Motorcycle speed when problem occurs (      km/h,      mile/h)
	<input type="checkbox"/> Other _____

**NOTE:**

The above form is a standard sample. The form should be modified according to conditions and characteristics of each market.

**VISUAL INSPECTION**

- Prior to diagnosis using the mode select switch or SDS, perform the following visual inspections. The reason for visual inspection is that mechanical failures (such as oil leakage) cannot be displayed on the screen with the use of mode select switch or SDS.
- \* Engine oil level and leakage (☞ 2-12)
- \* Engine coolant level and leakage (☞ 2-17)
- \* Fuel level and leakage (☞ 2-14 and 9-33)
- \* Clogged air cleaner element (☞ 2-4)
- \* Battery condition (☞ 9-40)
- \* Throttle cable play (☞ 2-15)
- \* Vacuum hose looseness, bend and disconnection
- \* Broken fuse
- \* FI light operation (☞ 4-17 and 9-31)
- \* Each warning light operation (☞ 9-31)
- \* Speedometer operation (☞ 9-34)
- \* Exhaust gas leakage and noise (☞ 2-29)
- \* Each coupler disconnection
- \* Clogged radiator fins (☞ 7-4 and -5)

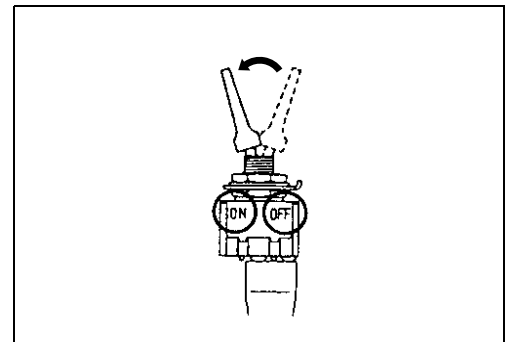
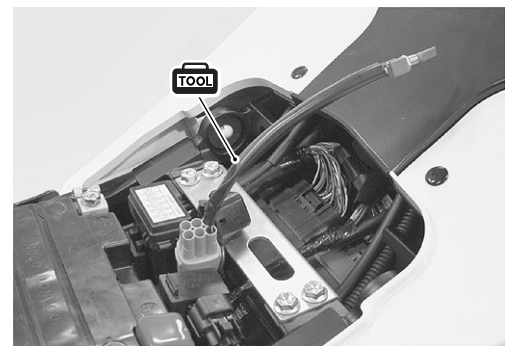


## SELF-DIAGNOSTIC PROCEDURES

### NOTE:

- \* Do not disconnect couplers from the ECM, the battery cable from the battery, ECM ground wire harness from the engine or main fuse before confirming the malfunction code (self-diagnostic trouble code) stored in memory. Such disconnection will erase the memorized information in ECM memory.
- \* Malfunction code stored in ECM memory can be checked by the special tool.
- \* Before checking malfunction code, read SELF-DIAGNOSIS FUNCTION "USER MODE and DEALER MODE" (☞ 4-17 and 4-18) carefully to have good understanding as to what functions are available and how to use it.
- \* Be sure to read "PRECAUTIONS IN SERVICING" (☞ 4-3) before inspection and observe what is written there.
- Remove the front seat. (☞ 8-7)
- Connect the special tool to the dealer mode coupler at the wiring harness, and start the engine or crank the engine for more than 4 seconds.
- Turn the special tool's switch ON and check the malfunction code to determine the malfunction part.

 **09930-82720: Mode select switch**



## SELF-DIAGNOSIS RESET PROCEDURE

- After repairing the trouble, turn OFF the ignition switch and turn ON again.
- If the malfunction code indicates (C00), the malfunction is cleared.
- Disconnect the special tool from the dealer mode coupler.

### NOTE:

- \* Even though the malfunction code (C00) is indicated, the previous malfunction history code still remains stored in the ECM. Therefore, erase the history code memorized in the ECM using SDS.
- \* The malfunction code is memorized in the ECM also when the wire coupler of any sensor is disconnected. Therefore, when a wire coupler has been disconnected at the time of diagnosis, erase the stored malfunction history code using SDS.

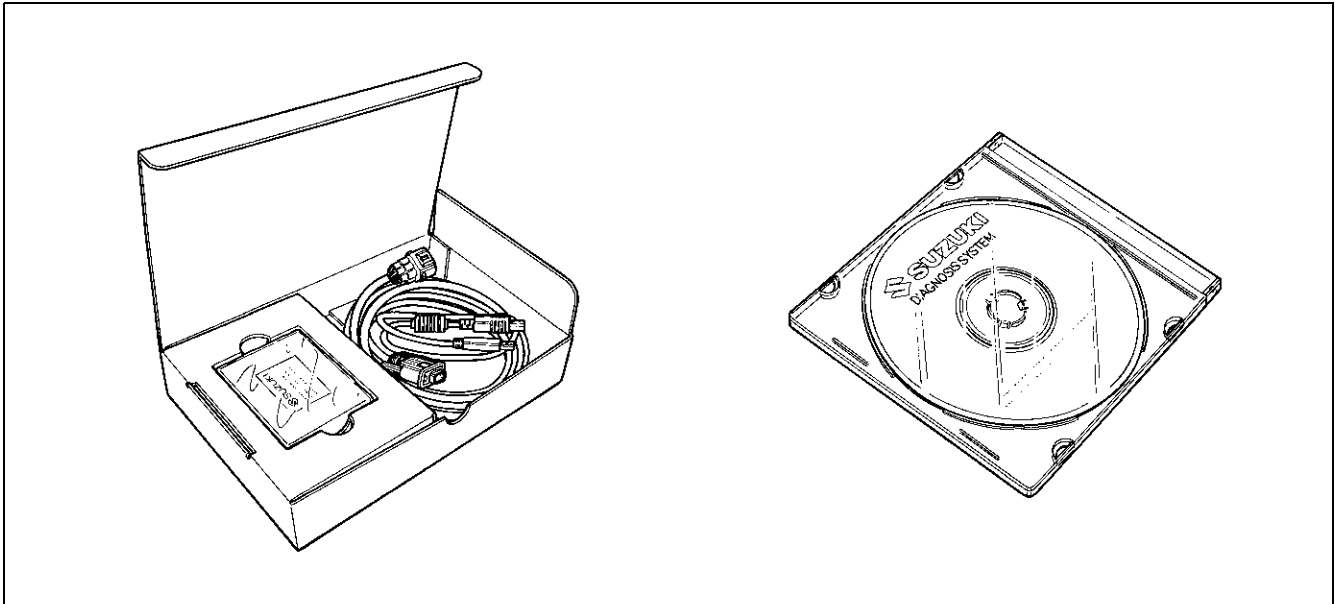


## USE OF SDS DIAGNOSTIC PROCEDURES

- \* Don't disconnect couplers from ECM, the battery cable from the battery, ECM ground wire harness from the engine or main fuse before confirming the malfunction code (self-diagnostic trouble code) stored in memory. Such disconnection will erase the memorized information in ECM memory.
- \* Malfunction code stored in ECM memory can be checked by the SDS.
- \* Be sure to read "PRECAUTIONS IN SERVICING" (☞ 4-3) before inspection and observe what is written there.
- Remove the front seat. (☞ 8-7)
- Set up the SDS tool. (Refer to the SDS operation manual for further details.)
- Read the DTC (Diagnostic Trouble Code) and show data when trouble (displaying data at the time of DTC) according to instructions displayed on SDS.
- Not only is SDS used for detecting Diagnostic Trouble Codes but also for reproducing and checking on screen the failure condition as described by customers using the trigger.
- How to use trigger. (Refer to the SDS operation manual for further details.)



**TOOL** 09904-41010: SDS set tool  
99565-01010-007: CD-ROM Ver. 7



## USE OF SDS DIAGNOSIS RESET PROCEDURE

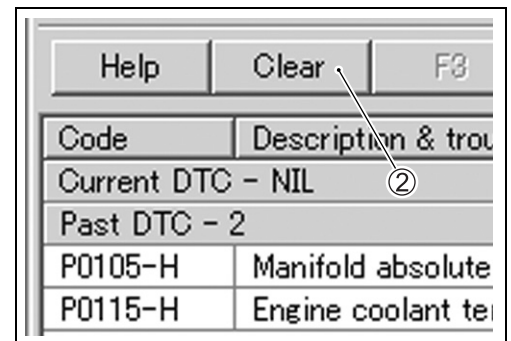
- After repairing the trouble, turn OFF the ignition switch and turn ON again.
- Click the DTC inspection button ①.
- Check the DTC.
- The previous malfunction history code (Past DTC) still remains stored in the ECM. Therefore, erase the history code memorized in the ECM using SDS tool.

**NOTE:**

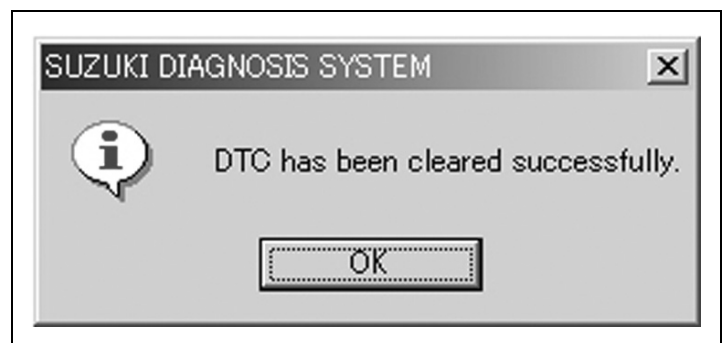
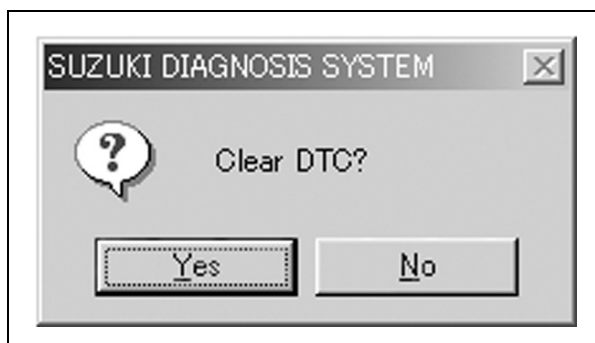
The malfunction code is memorized in the ECM also when the wire coupler of any sensor is disconnected. Therefore, when a wire coupler has been disconnected at the time of diagnosis, erase the stored malfunction history code using SDS.



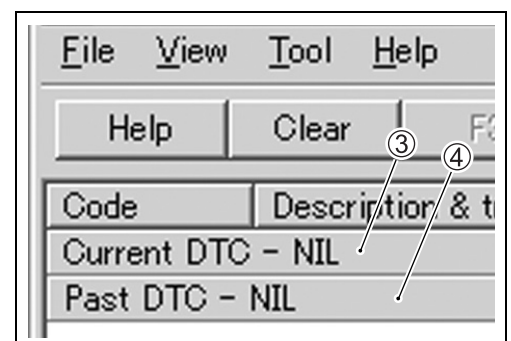
- Click "Clear" ② to delete history code (Past DTC).



- Follow the displayed instructions.



- Check that both "Current DTC" ③ and "Past DTC" ④ are deleted (NIL).

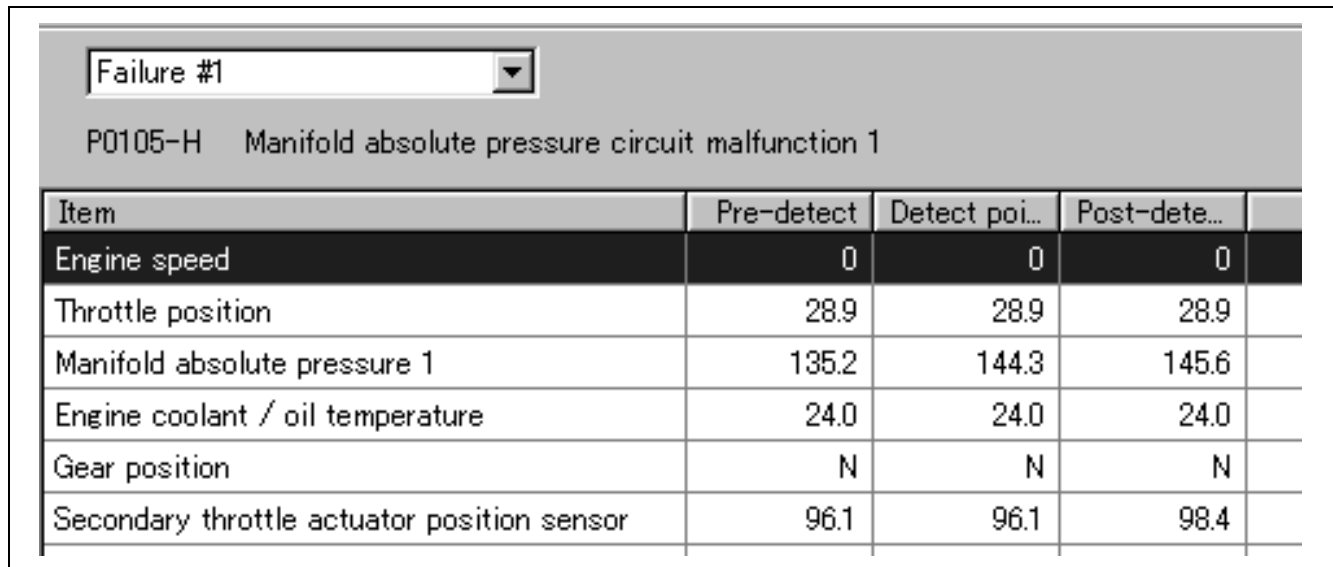


## SHOW DATA WHEN TROUBLE (DISPLAING DATA AT THE TIME OF DTC)

ECM stores the engine and driving conditions (in the form of data as shown in the figure) at the moment of the detection of a malfunction in its memory. This data is called “Show data when trouble”.

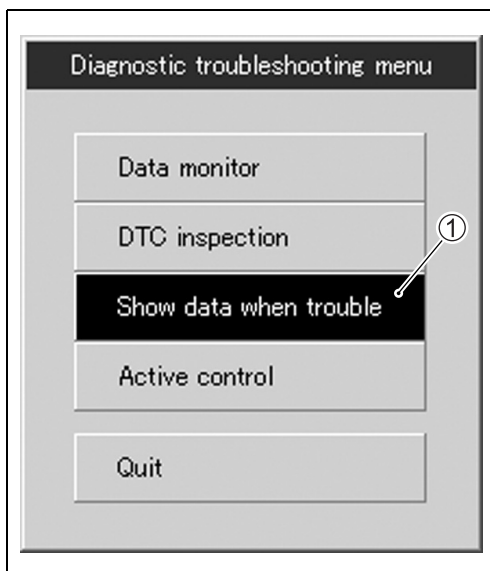
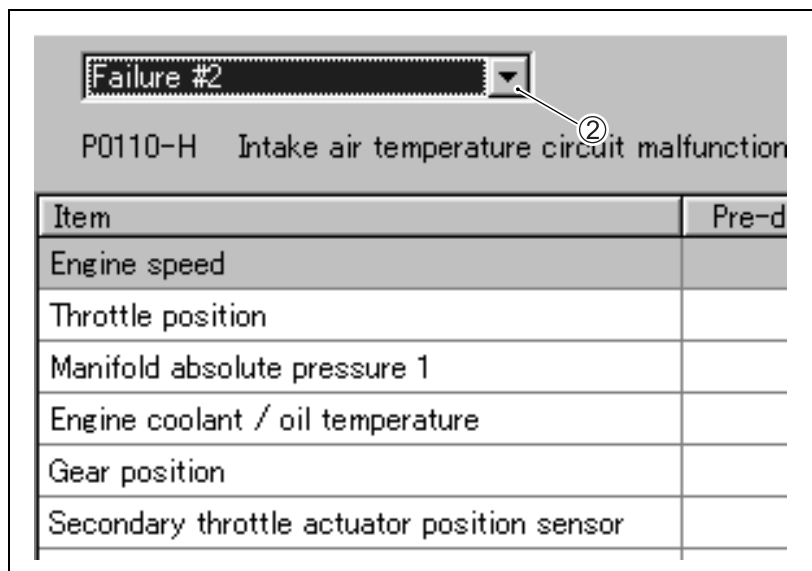
Therefore, it is possible to know engine and driving conditions (e.g., whether the engine was warm or not, where the motorcycle was running or stopped) when a malfunction was detected by checking the show data when trouble. This show data when trouble function can record the maximum of two Diagnostic Trouble Codes in the ECM.

Also, ECM has a function to store each show data when trouble for two different malfunctions in the order as the malfunction is detected. Utilizing this function, it is possible to know the order of malfunctions that have been detected. Its use is helpful when rechecking or diagnosing a trouble.



Item	Pre-detect	Detect poi...	Post-dete...
Engine speed	0	0	0
Throttle position	28.9	28.9	28.9
Manifold absolute pressure 1	135.2	144.3	145.6
Engine coolant / oil temperature	24.0	24.0	24.0
Gear position	N	N	N
Secondary throttle actuator position sensor	96.1	96.1	98.4

- Click “Show data when trouble” ① to display the data. By clicking the drop down button ②, either “Failure #1” or “Failure #2” can be selected.

Item	Pre-d
Engine speed	
Throttle position	
Manifold absolute pressure 1	
Engine coolant / oil temperature	
Gear position	
Secondary throttle actuator position sensor	

## MALFUNCTION CODE AND DEFECTIVE CONDITION

DTC No.		DETECTED ITEM	DETECTED FAILURE CONDITION	CHECK FOR		
C00		NO FAULT	—————	—————		
C11		CMP sensor	The signal does not reach ECM for 3 sec. or more, after receiving the starter signal.	CMP sensor wiring and mechanical parts CMP sensor, intake cam pin, wiring/coupler connection		
P0340						
C12		CKP sensor	The signal does not reach ECM for 3 sec. or more, after receiving the starter signal.	CKP sensor wiring and mechanical parts CKP sensor, lead wire/coupler connection		
P0335						
C13		IAP sensor	The sensor should produce following voltage. $0.5\text{ V} \leq \text{sensor voltage} < 4.85\text{ V}$ In other than the above range, C13 (P0105) is indicated.	IAP sensor, lead wire/coupler connection		
P0105	H				Sensor voltage is higher than specified value.	IAP sensor circuit open or shorted to VCC or ground circuit open
	L				Sensor voltage is lower than specified value.	IAP sensor circuit shorted to ground or VCC circuit open
C14		TP sensor	The sensor should produce following voltage. $0.2\text{ V} \leq \text{sensor voltage} < 4.80\text{ V}$ In other than the above range, C14 (P0120) is indicated.	TP sensor, lead wire/coupler connection		
P0120	H				Sensor voltage is higher than specified value.	TP sensor circuit shorted to VCC or ground circuit open
	L				Sensor voltage is lower than specified value.	TP sensor circuit open or shorted to ground or VCC circuit open
C15		ECT sensor	The sensor voltage should be the following. $0.15\text{ V} \leq \text{sensor voltage} < 4.85\text{ V}$ In other than the above range, C15 (P0115) is indicated.	ECT sensor, lead wire/coupler connection		
P0115	H				Sensor voltage is higher than specified value.	ECT sensor circuit open or ground circuit open
	L				Sensor voltage is lower than specified value.	ECT sensor circuit shorted to ground

DTC No.		DETECTED ITEM	DETECTED FAILURE CONDITION	CHECK FOR
C21		IAT sensor	The sensor voltage should be the following. $0.15\text{ V} \leq \text{sensor voltage} < 4.85\text{ V}$ In other than the above range, C21 (P0110) is indicated.	IAT sensor, lead wire/coupler connection
P0110	H		Sensor voltage is higher than specified value.	IAT sensor circuit open or ground circuit open
	L		Sensor voltage is lower than specified value.	IAT sensor circuit shorted to ground
C22		AP sensor	The sensor voltage should be the following. $0.5\text{ V} \leq \text{sensor voltage} < 4.85\text{ V}$ In other than the above range, C22 (P1450) is indicated.	AP sensor, wiring/coupler connection
P1450	H		Sensor voltage is higher than specified value.	AP sensor circuit shorted to VCC or ground circuit open
	L		Sensor voltage is lower than specified value.	AP sensor circuit open or shorted to ground or VCC circuit open
C23		TO sensor	The sensor voltage should be the following for 2 sec. and more, after ignition switch is turned ON. $0.2\text{ V} \leq \text{sensor voltage} < 4.8\text{ V}$ In other than the above value, C23 (P1651) is indicated.	TO sensor, lead wire/coupler connection
P1651	H		Sensor voltage is higher than specified value.	TO sensor circuit shorted to VCC or ground circuit open
	L		Sensor voltage is lower than specified value.	TO sensor circuit open or shorted to ground or VCC circuit open
C24/C25 C26/C27		Ignition signal	CKP sensor (pick-up coil) signal is produced, but signal from ignition coil is interrupted 8 times or more continuously. In this case, the code C24 (P0351), C25 (P0352), C26 (P0353) or C27 (P0354) is indicated.	Ignition coil, wiring/coupler connection, power supply from the battery
P0351/P0352 P0353/P0354				
C28		Secondary throttle valve actuator	When no actuator control signal is supplied from the ECM, communication signal does not reach ECM or operation voltage does not reach STVA motor, C28 (P1655) is indicated.	STVA motor, STVA lead wire/coupler
P1655			STVA can not operate.	



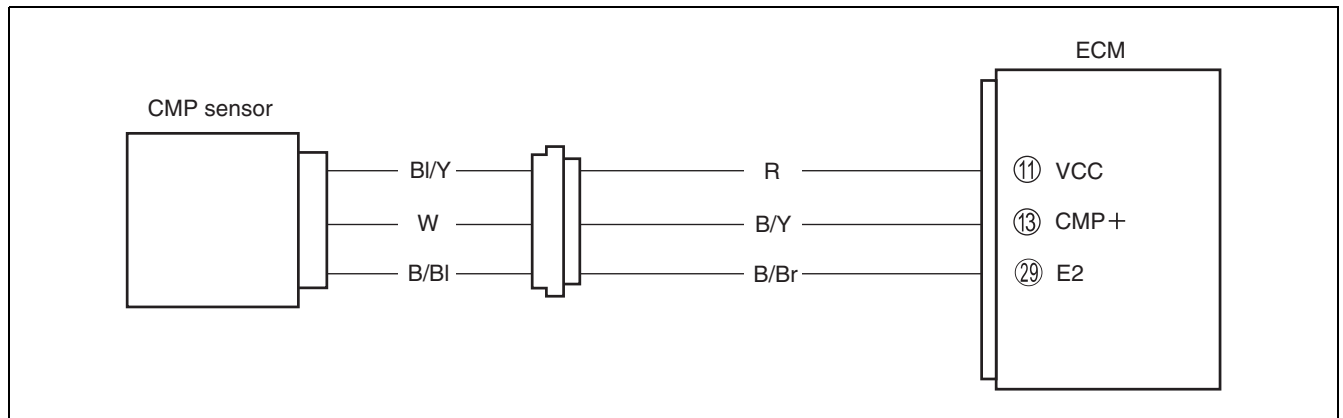
DTC No.	DETECTED ITEM	DETECTED FAILURE CONDITION	CHECK FOR	
C29	STP sensor	The sensor should produce following voltage. 0.15 V $\leq$ sensor voltage < 4.85 V In other than the above range, C29 (P1654) is indicated.	STP sensor, lead wire/coupler connection	
P1654	H	Sensor voltage is higher than specified value.	STP sensor circuit shorted to VCC or ground circuit open	
	L	Sensor voltage is lower than specified value.	STP sensor circuit open or shorted to ground or VCC circuit open	
C31	Gear position signal	Gear position signal voltage should be higher than the following for 3 seconds and more.	GP switch, wiring/coupler connection, gearshift cam, etc.	
P0705		Gear position sensor voltage > 0.6 V If lower than the above value, C31 (P0705) is indicated.		
C32/C33 C34/C35	Primary fuel injector	CKP sensor (pickup coil) signal is produced, but fuel injector signal is interrupted 4 times or more continuously. In this case, the code C32 (P0201), C33 (P0202), C34 (P0203) or C35 (P0204) is indicated.	Primary fuel injector, wiring/coupler connection, power supply to the injector	
P0201/P0202 P0203/P0204				
C36/C37 C38/C39	Secondary fuel injector	Some failure exists in the fuel injector signal in a high load, high revolution condition. In this case, the code C36 (P1764), C37 (P1765), C38 (P1766) or C39 (P1767) is indicated.	Secondary fuel injector, wiring/coupler connection, power supply to the injector	
P1764/P1765 P1766/P1767				
C41	Fuel pump relay	No voltage is applied to the fuel pump, although fuel pump relay is turned ON, or voltage is applied to fuel pump although fuel pump relay is turned OFF.	Fuel pump relay, lead wire/coupler connection, power source to fuel pump relay and fuel injectors	
P0230		H	Voltage is applied to fuel pump although fuel pump relay is turned OFF.	Fuel pump relay switch circuit shorted to power source Fuel pump relay (switch side)
		L	No voltage is applied to the fuel pump, although fuel pump relay is turned ON.	Fuel pump relay circuit open or short Fuel pump relay (coil side).
C42	Ignition switch	Ignition switch signal is not input to the ECM.	Ignition switch, lead wire/coupler, etc.	
P1650		* When the I.D. agreement is not verified. * ECM does not receive communication signal from the immobilizer antenna.	* Immobilizer/anti-theft system	

\* : Immobilizer system is equipped model only.

DTC No.		DETECTED ITEM	DETECTED FAILURE CONDITION	CHECK FOR	
C44		HO2 sensor (For E-02, 19)	HO2 sensor output voltage is not input to ECM during engine operation and running condition. (Sensor voltage < 0.55 V) In other than the above value, C44 (P0130) is indicated.	HO2 sensor circuit open or shorted to ground	
P0130					
C44			The Heater can not operate so that heater operation voltage is not supply to the oxygen heater circuit, C44 (P0135) is indicated.		HO2 sensor lead wire/coupler connection Battery voltage supply to the HO2 sensor
P0135					
C46		Exhaust control valve actuator	EXCVA position sensor produces following voltage. $0.1\text{ V} \leq \text{sensor voltage} < 4.9\text{ V}$ In other than the above range, C46 (P1675) is indicated. When no actuator control signal is supplied from the ECM, communication signal does not reach ECM or operation voltage does not reach EXCVA motor, C46 (P1658) is indicated. EXCVA can not operate.	EXCVA, EXCVA lead wire/coupler	
P1657	H		EXCVA position sensor voltage is higher than specified value.	EXCVA position sensor circuit shorted to VCC or ground circuit open	
	L		EXCVA position sensor voltage is lower than specified value.	EXCVA position sensor circuit open or shorted to ground or VCC circuit open	
P1658			When no actuator control signal is supplied from the ECM, communication signal does not reach ECM or operation voltage does not reach EXCVA motor, C46 (P1658) is indicated. EXCVA motor can not operate.	EXCVA, EXCVA motor lead wire/coupler	
C49		PAIR control solenoid valve	PAIR control solenoid valve voltage is not input to ECM.	PAIR control solenoid valve, lead wire/coupler	
P1656					
C60		Cooling fan relay	Cooling fan relay signal is not input to ECM.	Cooling fan relay, lead wire/coupler connection	
P0480					

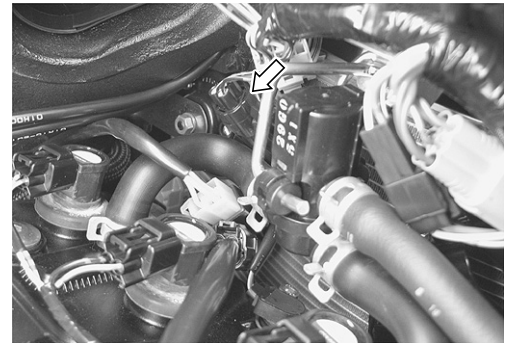
## “C11” (P0340) CMP SENSOR CIRCUIT MALFUNCTION

DETECTED CONDITION	POSSIBLE CAUSE
The signal does not reach ECM for 3 sec. or more, after receiving the starter signal.	<ul style="list-style-type: none"> <li>• Metal particles or foreign material being stuck on the CMP sensor and rotor tip</li> <li>• CMP sensor circuit open or short</li> <li>• CMP sensor malfunction</li> <li>• ECM malfunction</li> </ul>



### INSPECTION

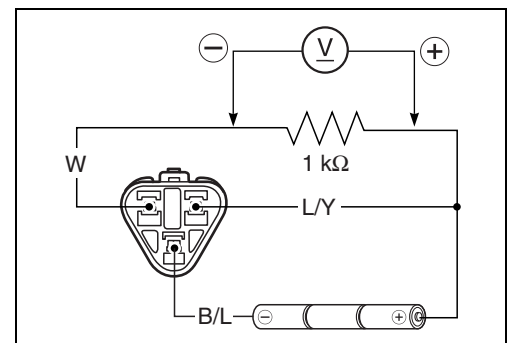
- 1) Turn the ignition switch OFF.
- 2) Lift and support the fuel tank. (↗ 5-3)
- 3) Remove the air cleaner box. (↗ 5-14)
- 4) Check the CMP sensor coupler for loose or poor contacts.  
If OK, then measure the CMP sensor peak voltage.



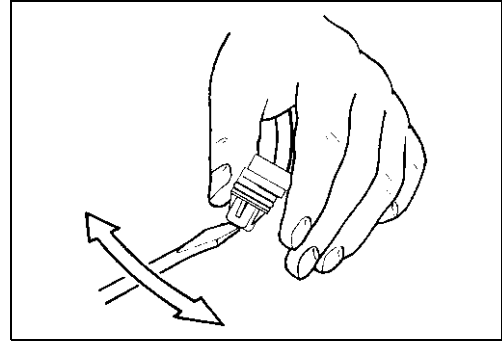
- 5) Connect 3 new 1.5 V batteries in series, 1 kΩ resistor and the multi-circuit tester as shown in the illustration.

**TOOL 09900-25008: Multi-circuit tester set**

**Tester knob indication: Voltage (---)**

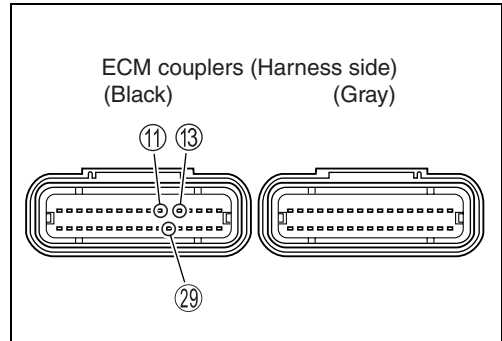


6) Under this condition, if a suitable screwdriver touching the pick-up surface of the CMP sensor is moved, the tester reading voltage changes (0.8 V and less ↔ 4.3 V and more).



Is the voltage OK?

YES	<ul style="list-style-type: none"> <li>• B/Y, B/Br or R wire open or shorted to ground</li> <li>• Loose or poor contacts on the CKP sensor coupler or ECM coupler (terminal ⑬, ⑳ or ①)</li> <li>• If wires and connection are OK, intermittent trouble or faulty ECM.</li> <li>• Recheck each terminal and wire harness for open circuit and poor connection.</li> <li>• Replace the ECM with a known good one, and inspect it again.</li> </ul>
NO	<ul style="list-style-type: none"> <li>• Inspect that metal particles or foreign material stuck on the CMP sensor and rotor tip.</li> <li>• If there are no metal particles and foreign material, then replace the CMP sensor with a new one.</li> </ul>



**CAUTION**

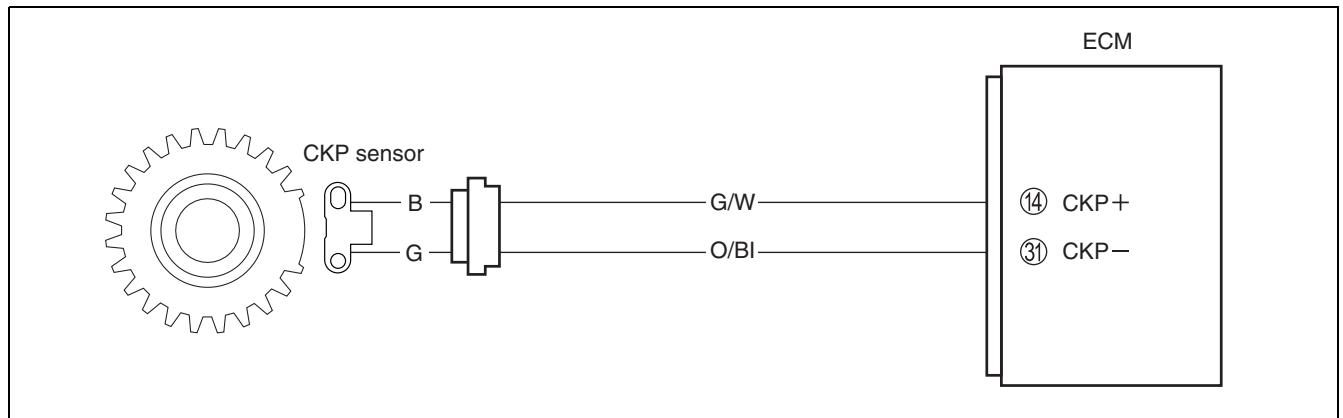
**When using the multi-circuit tester, do not strongly touch the terminal of the ECM coupler with a needle pointed tester probe to prevent the terminal damage or terminal bend.**

7) After repairing the trouble, clear the DTC using SDS tool.

(↩ 4-27)

## “C12” (P0335) CKP SENSOR CIRCUIT MALFUNCTION

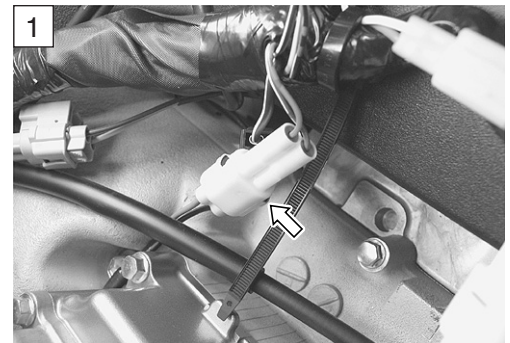
DETECTED CONDITION	POSSIBLE CAUSE
The signal does not reach ECM for 3 sec. or more, after receiving the starter signal.	<ul style="list-style-type: none"> <li>• Metal particles or foreign material being stuck on the CKP sensor and rotor tip</li> <li>• CKP sensor circuit open or short</li> <li>• CKP sensor malfunction</li> <li>• ECM malfunction</li> </ul>



### INSPECTION

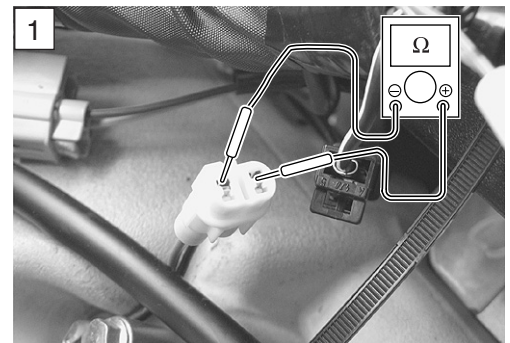
#### Step 1

- 1) Turn the ignition switch OFF.
- 2) Lift and support the fuel tank. (☞ 5-3)
- 3) Check the CKP sensor coupler for loose or poor contacts.  
If OK, then measure the CKP sensor resistance.



- 4) Disconnect the CKP sensor coupler and measure the resistance.

**DATA** CKP sensor resistance: 142 – 194 Ω (B – G)



5) If OK, then check the continuity between each terminal and ground.

**DATA** CKP sensor continuity:  $\infty \Omega$  (Infinity)  
 (B – Ground)  
 (G – Ground)

**TOOL** 09900-25008: Multi-circuit tester set

**Tester knob indication: Resistance ( $\Omega$ )**

Are the resistance and continuity OK?

YES	Go to step 2.
NO	Replace the CKP sensor with a new one.

6) After repairing the trouble, clear the DTC using SDS tool.  
 (☞ 4-27)

### Step 2

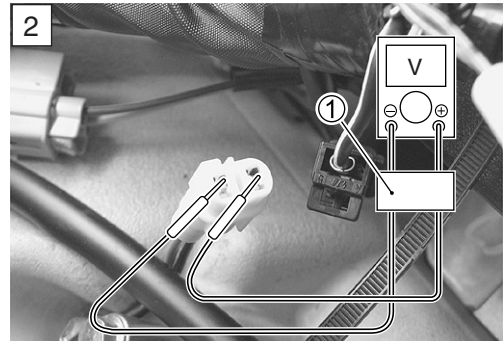
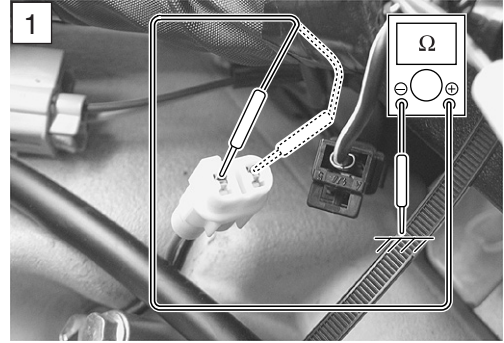
- 1) Crank the engine a few seconds with the starter motor, and measure the CKP sensor peak voltage at the coupler.
- 2) Repeat the above test procedure a few times and measure the highest peak voltage.

**DATA** CKP sensor peak voltage: 0.28 V and more  
 (⊕ B – ⊖ G)

① Peak volt adaptor

**TOOL** 09900-25008: Multi-circuit tester set

**Tester knob indication: Voltage (V)**



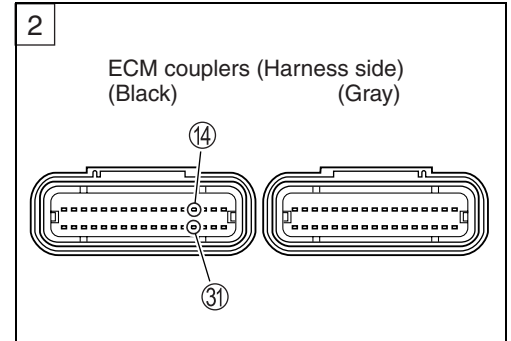


Is the voltage OK?

YES	<ul style="list-style-type: none"> <li>• G/W or O/B1 wire open or shorted to ground.</li> <li>• Loose or poor contacts on the CKP sensor coupler or ECM coupler (terminal ⑭ or ⑳).</li> <li>• If wire and connection are OK, intermittent trouble or faulty ECM.</li> <li>• Recheck each terminal and wire harness for open circuit and poor connection.</li> <li>• Replace the ECM with a known good one, and inspect it again.</li> </ul>
NO	<ul style="list-style-type: none"> <li>• Inspect that metal particles or foreign material stuck on the CKP sensor and rotor tip.</li> <li>• If there are no metal particles and foreign material, then replace the CKP sensor with a new one.</li> </ul>

**CAUTION**

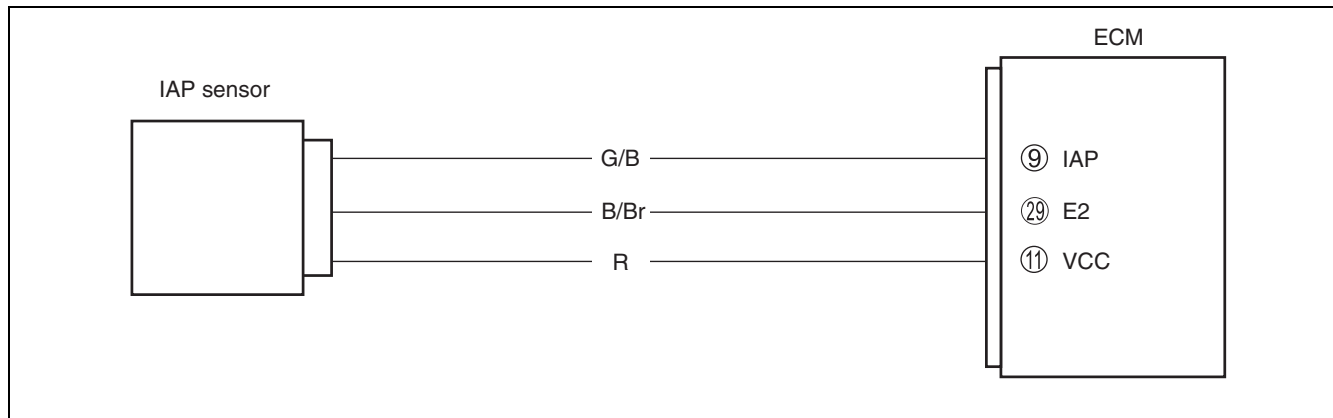
**When using the multi-circuit tester, do not strongly touch the terminal of the ECM coupler with a needle pointed tester probe to prevent the terminal damage or terminal bend.**



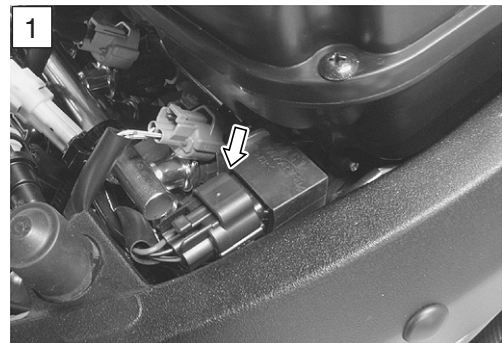
3) After repairing the trouble, clear the DTC using SDS tool.  
 (☞ 4-27)

**“C13” (P0105-H/L) IAP SENSOR CIRCUIT MALFUNCTION**

		DETECTED CONDITION	POSSIBLE CAUSE
C13		IAP sensor voltage is not within the following range. $0.5\text{ V} \leq \text{Sensor voltage} < 4.85\text{ V}$ <i>NOTE:</i> <i>Note that atmospheric pressure varies depending on weather conditions as well as altitude.</i> <i>Take that into consideration when inspecting voltage.</i>	<ul style="list-style-type: none"> <li>• Clogged vacuum passage between throttle body and IAP sensor.</li> <li>• Air being drawn from vacuum passage between throttle body and IAP sensor.</li> <li>• IAP sensor circuit open or shorted to ground.</li> <li>• IAP sensor malfunction.</li> <li>• ECM malfunction.</li> </ul>
P0105	H	Sensor voltage is higher than specified value.	<ul style="list-style-type: none"> <li>• IAP sensor circuit open or shorted to VCC or ground circuit open.</li> </ul>
	L	Sensor voltage is lower than specified value.	<ul style="list-style-type: none"> <li>• IAP sensor circuit shorted to ground or VCC circuit open.</li> </ul>

**INSPECTION****Step 1 (When indicating C13:)**

- 1) Turn the ignition switch OFF.
- 2) Lift and support the fuel tank. (☞ 5-3)
- 3) Check the IAP sensor coupler for loose or poor contacts.  
If OK, then measure the IAP sensor input voltage.



- 4) Disconnect the IAP sensor coupler.
- 5) Turn the ignition switch ON.
- 6) Measure the voltage at the R wire and ground.
- 7) If OK, then measure the voltage at the R wire (A) and B/Br wire (B).

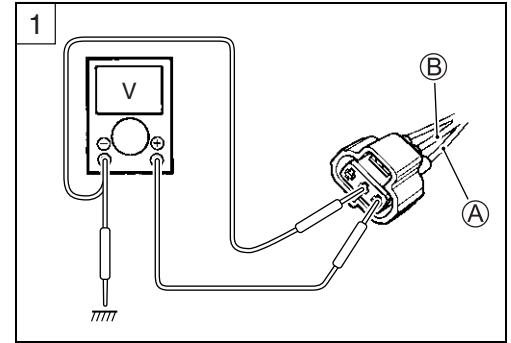
**DATA** IAP sensor input voltage: 4.5 – 5.5 V  
 (+ R – (–) Ground)  
 (+ R – (–) B/Br)

**TOOL** 09900-25008: Multi-circuit tester set

**Tester knob indication: Voltage (V)**

Is the voltage OK?

YES	Go to Step 2.
NO	<ul style="list-style-type: none"> <li>• Loose or poor contacts on the ECM coupler (terminal ① or ⑲).</li> <li>• Open or short circuit in the R wire or B/Br wire.</li> </ul>

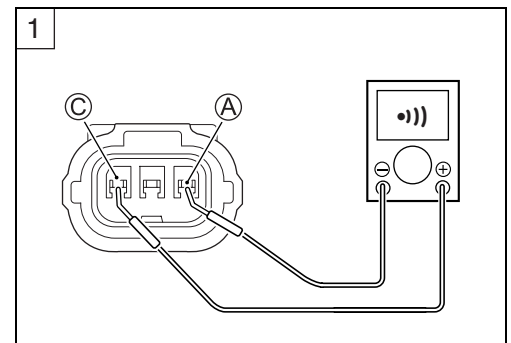


**Step 1 (When indicating P0105-H:)**

- 1) Turn the ignition switch OFF.
- 2) Lift and support the fuel tank. (↔ 5-3)
- 3) Check the IAP sensor coupler for loose or poor contacts.  
 If OK, then check the IAP sensor lead wire continuity.



- 4) Disconnect the IAP sensor coupler.
- 5) Check the continuity between R wire (A) and G/B wire (C).  
 If the sound is not heard from the tester, the circuit condition is OK.

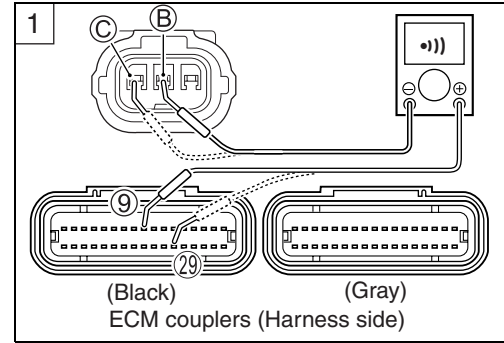


- 6) Disconnect the ECM coupler.
- 7) Check the continuity between G/B wire ③ and terminal ⑨.
- 8) If OK, then check the continuity between B/Br wire ④ and terminal ⑩.

**DATA** IAPS lead wire continuity: Continuity (•••)

**TOOL** 09900-25008: Multi-circuit tester set  
09900-25009: Needle pointed probe set

**Tester knob indication: Continuity test (•••)**



**CAUTION**

When using the multi-circuit tester, do not strongly touch the terminal of the ECM coupler with a needle pointed tester probe to prevent the terminal damage or terminal bend.

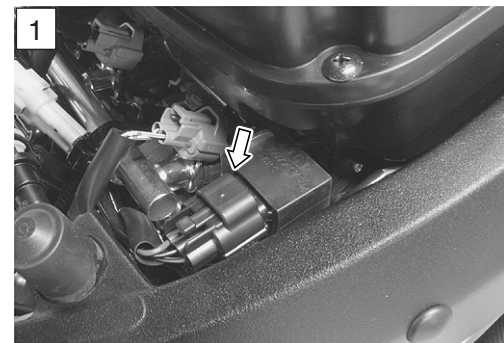
Is the continuity OK?

YES	Go to Step 2.
NO	G/B wire shorted to VCC, or B/Br wire open.

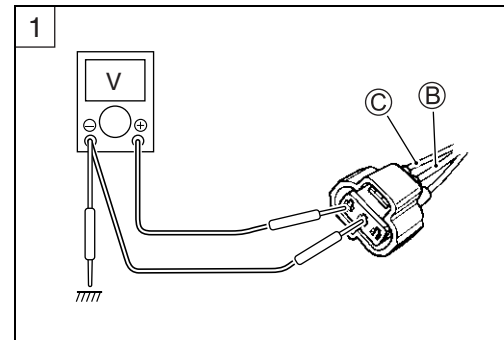
- 9) After repairing the trouble, clear the DTC using SDS tool. (☞ 4-27)

**Step 1 (When indicating P0105-L:)**

- 1) Turn the ignition switch OFF.
- 2) Lift and support the fuel tank. (☞ 5-3)
- 3) Check the IAP sensor coupler for loose or poor contacts.  
If OK, then check the IAP sensor lead wire continuity.



- 4) Disconnect the IAP sensor coupler.
- 5) Check the continuity between G/B wire ③ and ground.
- 6) Also, check the continuity between G/B wire ③ and B/Br wire ④. If the sound is not heard from the tester, the circuit condition is OK.



- 7) Disconnect the ECM coupler.
- 8) Check the continuity between R wire (A) and terminal (11).
- 9) Also, check the continuity between G/B wire (C) and terminal (9).

**DATA** IAPS lead wire continuity: Continuity (•••)

**TOOL** 09900-25008: Multi-circuit tester set  
09900-25009: Needle pointed probe set

**Tester knob indication: Continuity test (•••)**

### CAUTION

**When using the multi-circuit tester, do not strongly touch the terminal of the ECM coupler with a needle pointed tester probe to prevent the terminal damage or terminal bend.**

Is the continuity OK?

YES	Go to Step 1 (☞ 4-38) and go to Step 2.
NO	R or G/B wire open, or G/B wire shorted to ground

- 10) After repairing the trouble, clear the DTC using SDS tool. (☞ 4-27)

### Step 2

- 1) Connect the IAP sensor coupler and ECM coupler.
- 2) Insert the needle pointed probes to the lead wire coupler.
- 3) Start the engine at idle speed and measure the IAP sensor output voltage at the wire side coupler (between G/B and B/Br wires).

**DATA** IAP sensor output voltage: Approx. 2.7 V at idle speed  
(⊕ G/B – ⊖ B/Br)

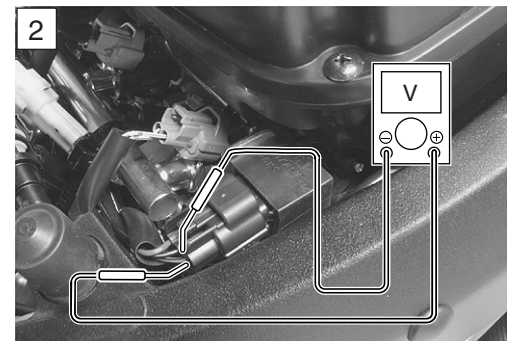
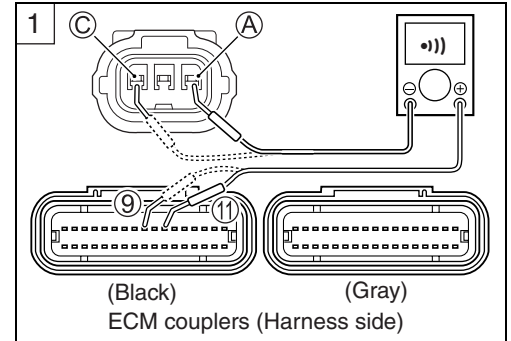
**TOOL** 09900-25008: Multi-circuit tester set  
09900-25009: Needle pointed probe set

**Tester knob indication: Voltage (---)**

Is the voltage OK?


YES	Go to Step 3.
NO	<ul style="list-style-type: none"> <li>• Check the vacuum hose for crack or damage.</li> <li>• Open or short circuit in the G/B wire</li> <li>• If vacuum hose and wire are OK, replace the IAP sensor with a new one.</li> </ul>

- 4) After repairing the trouble, clear the DTC using SDS tool. (☞ 4-27)

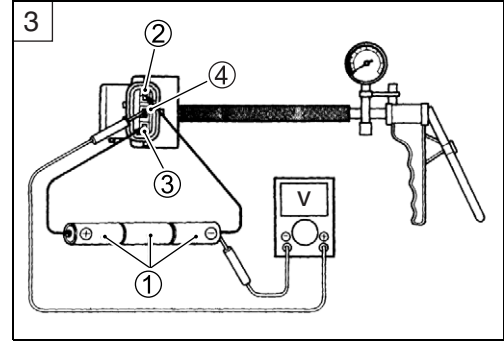


**Step 3**

- 1) Turn the ignition switch OFF.
- 2) Remove the IAP sensor.
- 3) Connect the vacuum pump gauge to the vacuum port of the IAP sensor.  
 Arrange 3 new 1.5 V batteries in series ① (check that total voltage is 4.5 – 5.0 V) and connect ⊖ terminal to the ground terminal ② and ⊕ terminal to the VCC terminal ③.
- 4) Check the voltage between V-out ④ and ground. Also, check if voltage reduces when vacuum is applied up to 53 kPa (400 mmHg) by using vacuum pump gauge. (↗ 4-43)

 **09917-47011: Vacuum pump gauge**  
**09900-25008: Multi-circuit tester set**

 **Tester knob indication: Voltage (---)**



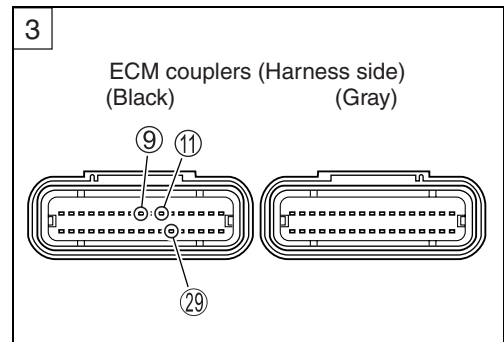
Is the voltage OK?

YES	<ul style="list-style-type: none"> <li>• G/B, R or B/Br wire open or shorted to ground, or poor ⑨, ⑪ or ⑲ connection</li> <li>• If wire and connection are OK, intermittent trouble or faulty ECM.</li> <li>• Recheck each terminal and wire harness for open circuit and poor connection.</li> <li>• Replace the ECM with a known good one, and inspect it again.</li> </ul>
NO	If check result is not satisfactory, replace the IAP sensor with a new one.

**CAUTION**

**When using the multi-circuit tester, do not strongly touch the terminal of the ECM coupler with a needle pointed tester probe to prevent the terminal damage or terminal bend.**

- 5) After repairing the trouble, clear the DTC using SDS tool. (↗ 4-27)



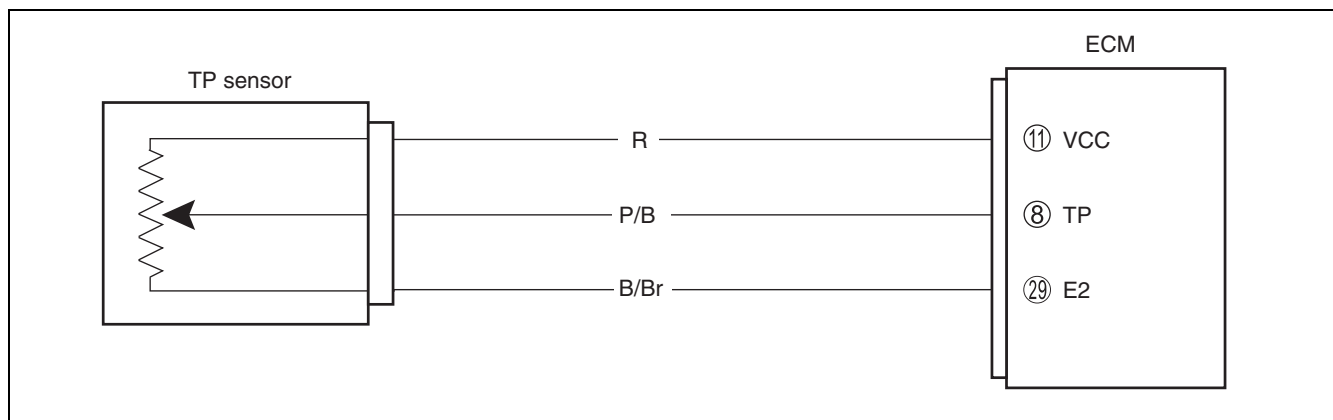


**Output voltage (VCC voltage 4.5 – 5.0 V, ambient temp. 20 – 30 °C, 68 – 86 °F)**

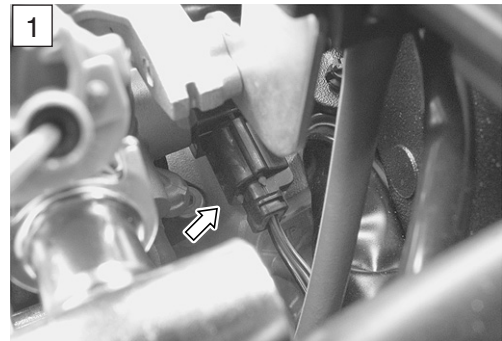
ALTITUDE (Reference)		ATMOSPHERIC PRESSURE		OUTPUT VOLTAGE
(ft)	(m)	(mmHg)	kPa	(V)
0   2 000	0   610	760   707	100   94	3.1 – 3.6
2 001   5 000	611   1 524	707   634	94   85	2.8 – 3.4
5 001   8 000	1 525   2 438	634   567	85   76	2.6 – 3.1
8 001   10 000	2 439   3 048	567   526	76   70	2.4 – 2.9

**“C14” (P0120-H/L) TP SENSOR CIRCUIT MALFUNCTION**

DETECTED CONDITION		POSSIBLE CAUSE
C14	Output voltage is not within the following range. Difference between actual throttle opening and opening calculated by ECM is larger than specified value. $0.2\text{ V} \leq \text{Sensor voltage} < 4.8\text{ V}$	<ul style="list-style-type: none"> <li>• TP sensor maladjusted</li> <li>• TP sensor circuit open or short</li> <li>• TP sensor malfunction</li> <li>• ECM malfunction</li> </ul>
P0120	H	• TP sensor circuit shorted to VCC or ground circuit open
	L	• TP sensor circuit open or shorted to ground or VCC circuit open

**INSPECTION****Step 1 (When indicating C14:)**

- 1) Turn the ignition switch to OFF.
- 2) Lift and support the fuel tank. (👉 5-3)
- 3) Check the TP sensor coupler for loose or poor contacts.  
If OK, then measure the TP sensor input voltage.
- 4) Disconnect the TP sensor coupler.
- 5) Turn the ignition switch ON.
- 6) Measure the voltage at the R wire ① and ground.
- 7) If OK, then measure the voltage at the R wire ① and B/Br wire ②.



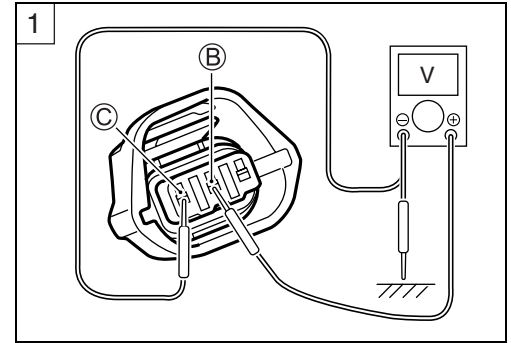
**DATA** TP sensor input voltage: 4.5 – 5.5 V  
 (+ R – (–) Ground)  
 (+ R – (–) B/Br)

**TOOL** 09900-25008: Multi-circuit tester set

**Tester knob indication: Voltage (V)**

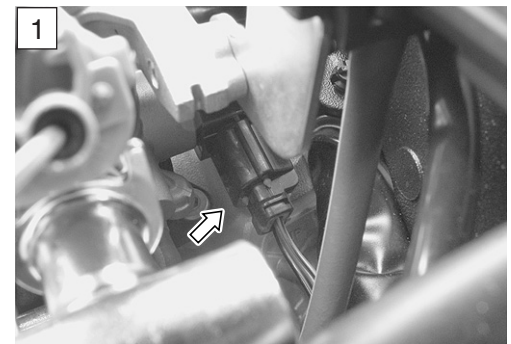
Is the voltage OK?

YES	Go to Step 2.
NO	<ul style="list-style-type: none"> <li>Loose or poor contacts on the ECM coupler (terminal ① or ⑲).</li> <li>Open or short circuit in the R wire or B/Br wire.</li> </ul>

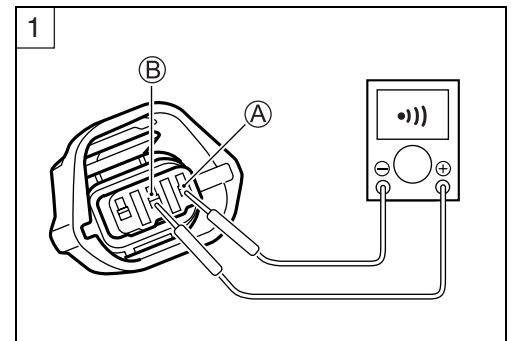


**Step 1 (When indicating P0120-H:)**

- Turn the ignition switch OFF.
- Lift and support the fuel tank. (➡ 5-3)
- Check the TP sensor coupler for loose or poor contacts.  
 If OK, then check the TP sensor lead wire continuity.



- Disconnect the TP sensor coupler.
- Check the continuity between P/B wire (A) and R wire (B).  
 If the sound is not heard from the tester, the circuit condition is OK.



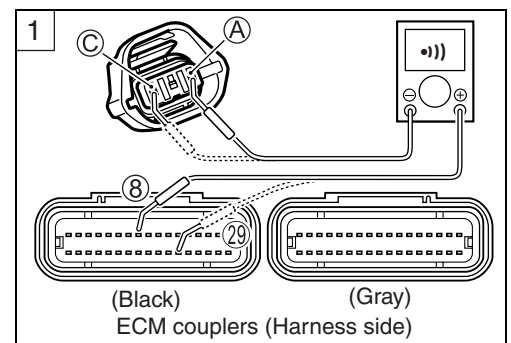
- Disconnect the ECM coupler.
- Check the continuity between P/B wire (A) and terminal (8).
- Also, check the continuity between B/Br wire (C) and terminal (29).

**DATA** TPS lead wire continuity: Continuity (•||)

**TOOL** 09900-25008: Multi-circuit tester set

09900-25009: Needle pointed probe set

**Tester knob indication: Continuity test (•||)**




**CAUTION**


When using the multi-circuit tester, do not strongly touch the terminal of the ECM coupler with a needle pointed tester probe to prevent the terminal damage or terminal bend.

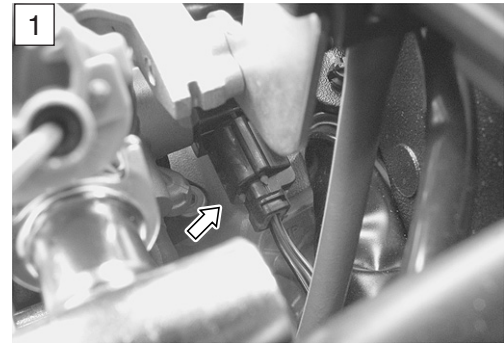
Is the continuity OK?

YES	Go to Step 2.
NO	P/B wire shorted to VCC, or B/Br wire open

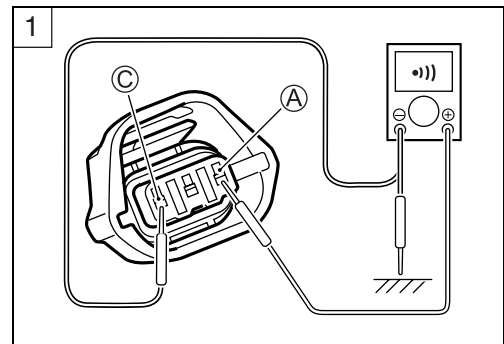
9) After repairing the trouble, clear the DTC using SDS tool.  
( 4-27)

**Step 1 (When indicating P0120-L:)**

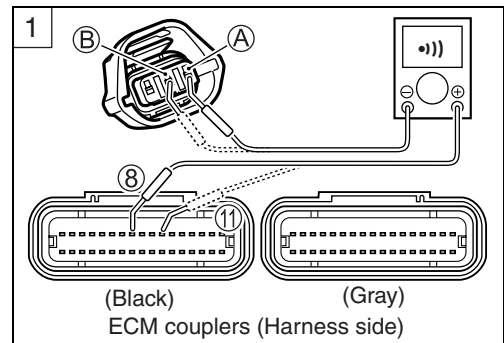
- 1) Turn the ignition switch OFF.
- 2) Lift and support the fuel tank. ( 5-3)
- 3) Check the TP sensor coupler for loose or poor contacts.  
If OK, then check the TP sensor lead wire continuity.



- 4) Disconnect the TP sensor coupler.
- 5) Check the continuity between P/B wire (A) and ground.
- 6) Also, check the continuity between P/B wire (A) and B/Br wire (C). If the sound is not heard from the tester, the circuit condition is OK.



- 7) Disconnect the ECM coupler.
- 8) Check the continuity between P/B wire (A) and terminal (8).
- 9) Also, check the continuity between R wire (B) and terminal (11).



**DATA** TPS lead wire continuity: Continuity (•••)

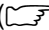
**TOOL** 09900-25008: Multi-circuit tester set  
09900-25009: Needle pointed probe set

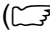
 Tester knob indication: Continuity test (•••)

**CAUTION**

When using the multi-circuit tester, do not strongly touch the terminal of the ECM coupler with a needle pointed tester probe to prevent the terminal damage or terminal bend.

Is the continuity OK?

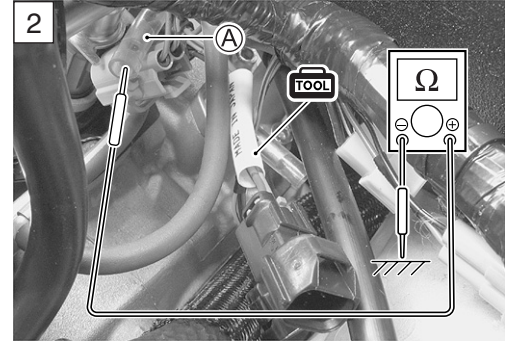
YES	Go to Step 1 (  4-44) and go to Step 2.
NO	R wire or P/B wire open, or P/B wire shorted to ground

10) After repairing the trouble, clear the DTC using SDS tool.  
( 4-27)

**Step 2**

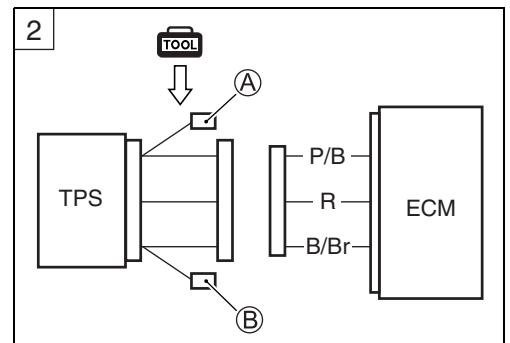
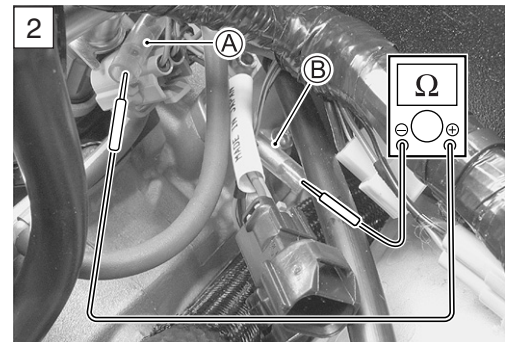
- 1) Turn the ignition switch OFF.
- 2) Disconnect the TP sensor coupler.
- 3) Install the test harness to the TP sensor.
- 4) Check the continuity between terminal **A** and ground.

**DATA** TP sensor continuity:  $\infty \Omega$  (Infinity)  
(Terminal **A** – Ground)



- 5) If OK, then measure the TP sensor resistance at the test harness terminals (between terminal **A** and terminal **B**).
- 6) Turn the throttle grip and measure the resistance.

**DATA** TP sensor resistance  
Throttle valve is closed: Approx. 1.1 k $\Omega$   
Throttle valve is opened: Approx. 4.3 k $\Omega$

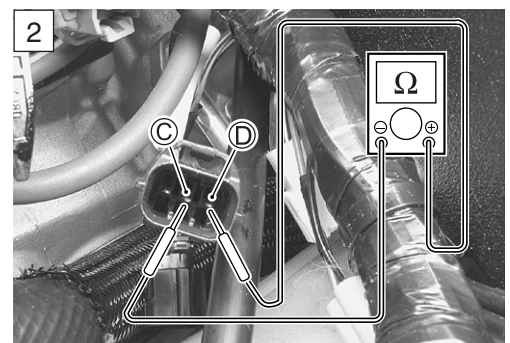


- 7) If OK, then measure the TP sensor resistance at the test harness terminals (between terminal **C** and terminal **D**).

**DATA** TP sensor resistance: Approx. 4.68 k $\Omega$   
(Terminal **C** – Terminal **D**)

- TOOL** 09900-25008: Multi-circuit tester set
- 09900-28630: TPS test wire harness

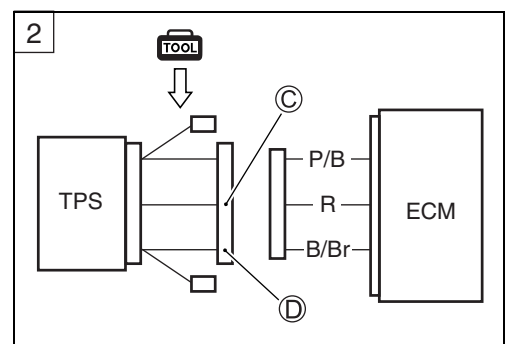
**Tester knob indication: Resistance ( $\Omega$ )**



Are the continuity and resistance OK?

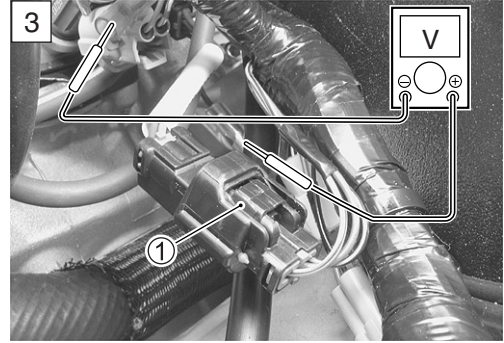
YES	Go to Step 3.
NO	<ul style="list-style-type: none"> <li>• Reset the TP sensor position correctly.</li> <li>• Replace the TP sensor with a new one.</li> </ul>

- 8) After repairing the trouble, clear the DTC using SDS tool.  
( 4-27)



**Step 3**

- 1) Connect the TP sensor coupler ① to the test harness.
- 2) Turn the ignition switch ON.
- 3) Measure the TP sensor output voltage at the coupler (between ⊕ P/B and ⊖ B/Br) by turning the throttle grip.



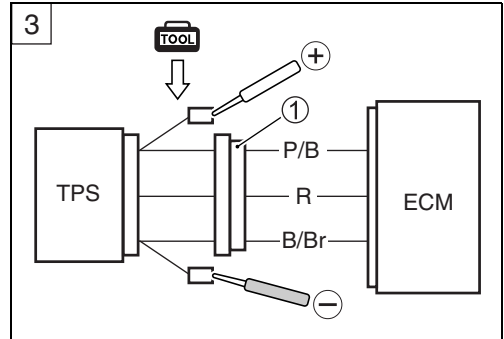
**DATA** TP sensor output voltage

Throttle valve is closed: **Approx. 1.1 V**

Throttle valve is opened: **Approx. 4.3 V**

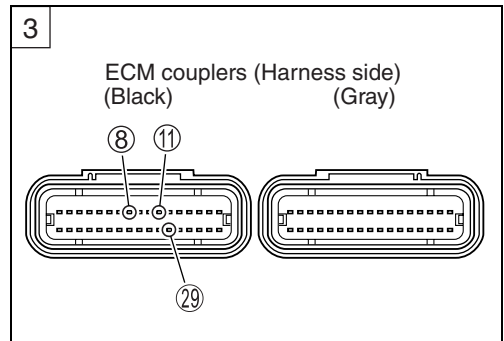
**TOOL** 09900-25008: Multi-circuit tester set

**Tester knob indication: Voltage (---)**



Is the voltage OK?

YES	<ul style="list-style-type: none"> <li>• P/B, R or B/Br wire open or shorted to ground, or poor ⑧, ⑪ or ⑲ connection</li> <li>• If wire and connection are OK, intermittent trouble or faulty ECM.</li> <li>• Recheck each terminal and wire harness for open circuit and poor connection.</li> <li>• Replace the ECM with a known good one, and inspect it again.</li> </ul>
NO	If check result is not satisfactory, replace TP sensor with a new one.



**CAUTION**

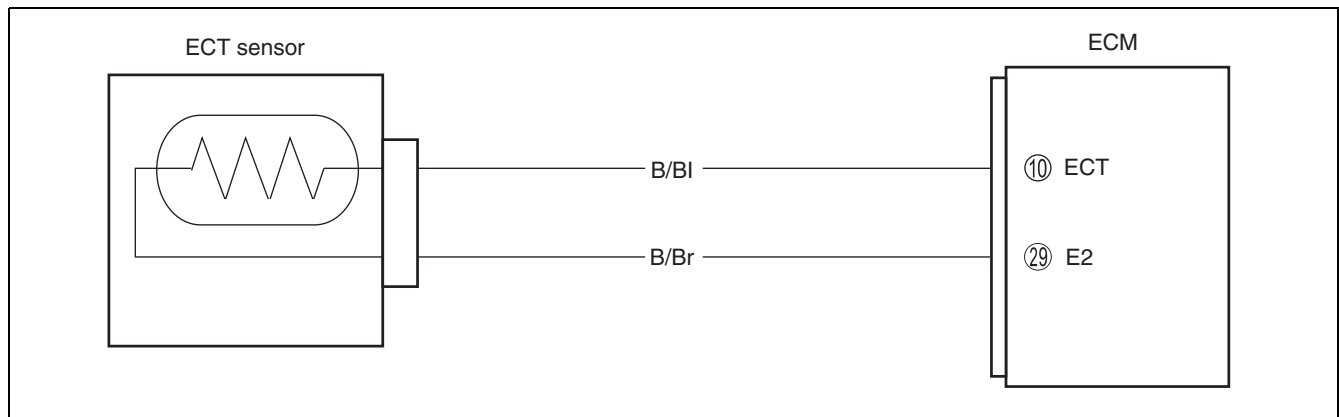
**When using the multi-circuit tester, do not strongly touch the terminal of the ECM coupler with a needle pointed tester probe to prevent the terminal damage or terminal bend.**

- 4) After repairing the trouble, clear the DTC using SDS tool. (4-27)



## “C15” (P0115-H/L) ECT SENSOR CIRCUIT MALFUNCTION

DETECTED CONDITION		POSSIBLE CAUSE
C15	Output voltage is not within the following range. $0.15 \text{ V} \leq \text{Sensor voltage} < 4.85 \text{ V}$	<ul style="list-style-type: none"> <li>ECT sensor circuit open or short</li> <li>ECT sensor malfunction</li> <li>ECM malfunction</li> </ul>
P0115	H Sensor voltage is higher than specified value.	<ul style="list-style-type: none"> <li>ECT sensor circuit open or ground circuit open</li> </ul>
	L Sensor voltage is lower than specified value.	<ul style="list-style-type: none"> <li>ECT sensor circuit shorted to ground</li> </ul>



### INSPECTION

#### Step 1 (When indicating C15:)

- Turn the ignition switch OFF.
- Lift and support the fuel tank. (→ 5-3)
- Check the ECT sensor coupler for loose or poor contacts.  
If OK, then measure the ECT sensor voltage at the wire side coupler.
- Disconnect the coupler and turn the ignition switch ON.
- Measure the voltage between B/BI wire terminal ① and ground.
- If OK, then measure the voltage between B/BI wire terminal ① and B/Br wire terminal ②.

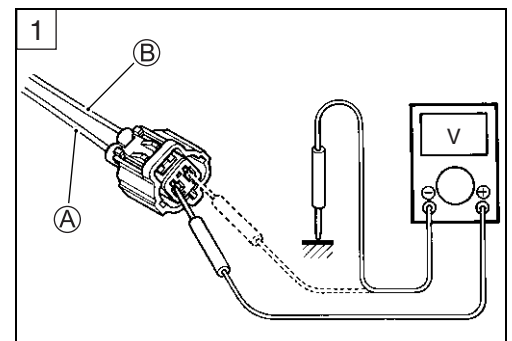
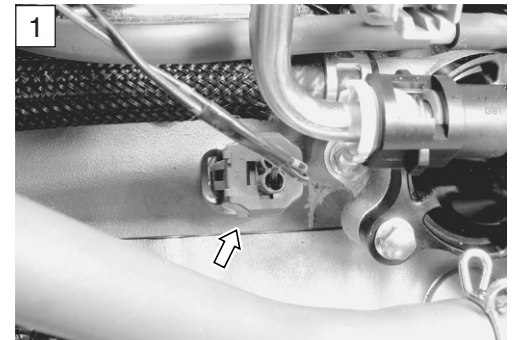
**DATA** ECT sensor voltage: 4.5 – 5.5 V  
 (+ B/BI – (–) Ground)  
 (+ B/BI – (–) B/Br)

**TOOL** 09900-25008: Multi-circuit tester set

**Tester knob indication: Voltage (V)**

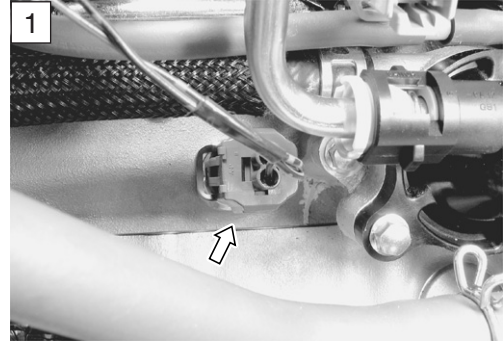
Is the voltage OK?

YES	Go to Step 2.
NO	<ul style="list-style-type: none"> <li>Loose or poor contacts on the ECM coupler (terminal ⑩ or ⑳).</li> <li>Open or short circuit in the B/BI wire or B/Br wire</li> </ul>



**Step 1 (When indicating P0115-H:)**

- 1) Turn the ignition switch OFF.
- 2) Lift and support the fuel tank. (☞ 5-3)
- 3) Check the ECT sensor coupler for loose or poor contacts.  
If OK, then check the ECT sensor lead wire continuity.

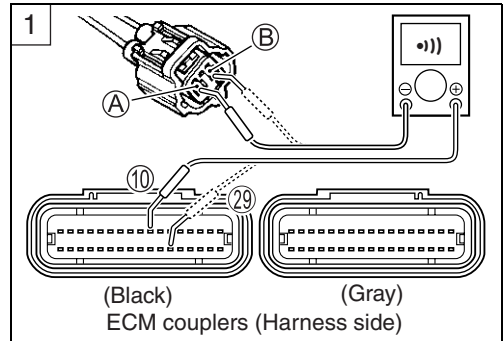


- 4) Disconnect the ECT sensor coupler and ECM coupler.
- 5) Check the continuity between B/Bl wire (A) and terminal 10.
- 6) Also, check the continuity between B/Br wire (B) and terminal 29.

**DATA** ECTS lead wire continuity: Continuity (•••)

**TOOL** 09900-25008: Multi-circuit tester set  
09900-25009: Needle pointed probe set

**Tester knob indication: Continuity test (•••)**



**CAUTION**

When using the multi-circuit tester, do not strongly touch the terminal of the ECM coupler with a needle pointed tester probe to prevent the terminal damage or terminal bend.

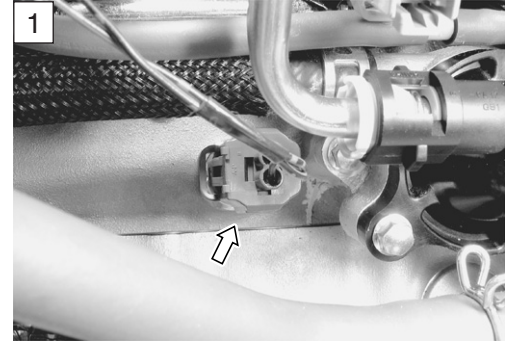
Is the continuity OK?

YES	Go to Step 2.
NO	B/Bl or B/Br wire open

- 7) After repairing the trouble, clear the DTC using SDS tool.  
(☞ 4-27)

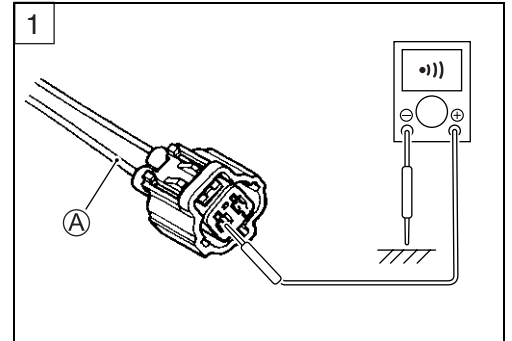
**Step 1 (When indicating P0115-L:)**

- 1) Turn the ignition switch OFF.
- 2) Lift and support the fuel tank. (☞ 5-3)
- 3) Check the ECT sensor coupler for loose or poor contacts.  
If OK, then measure the output voltage.



- 4) Disconnect the ECT sensor coupler.
- 5) Check the continuity between B/BI wire (A) and ground.  
If the sound is not heard from the tester, the circuit condition is OK.

 **Tester knob indication: Continuity test (•••)**

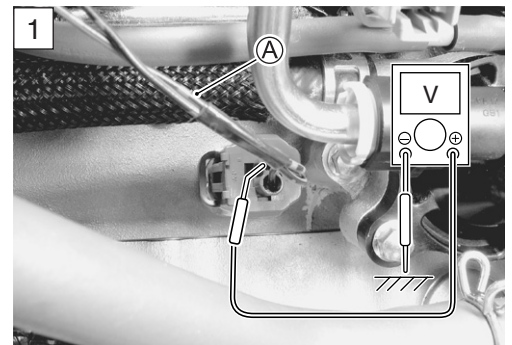


- 6) Connect the ECT sensor coupler and turn the ignition switch ON.
- 7) Measure the voltage between B/BI wire (A) and ground.

**DATA** ECT sensor output voltage: 0.15 – 4.85 V  
(+ B/BI – – Ground)

 **09900-25008: Multi-circuit tester set**  
**09900-25009: Needle pointed probe set**

 **Tester knob indication: Voltage (---)**



Are the continuity and voltage OK?

YES	Go to Step 2.
NO	<ul style="list-style-type: none"> <li>• B/BI wire shorted to ground</li> <li>• If wire is OK, go to Step 2.</li> </ul>

- 8) After repairing the trouble, clear the DTC using SDS tool.  
(☞ 4-27)

**Step 2**

- 1) Turn the ignition switch OFF.
- 2) Disconnect the ECT sensor coupler.
- 3) Measure the ECT sensor resistance.

**DATA** ECT sensor resistance:

**Approx. 2.45 kΩ at 20 °C (68 °F)  
(Terminal – Terminal)**

**TOOL** 09900-25008: Multi-circuit tester set

**Tester knob indication: Resistance (Ω)**

Refer to page 7-7 for details.

Is the resistance OK?

YES	<ul style="list-style-type: none"> <li>• B/Bl or B/Br wire open or shorted to ground, or poor ⑩ or ⑳ connection.</li> <li>• If wire and connection are OK, intermittent trouble or faulty ECM.</li> <li>• Recheck each terminal and wire harness for open circuit and poor connection.</li> <li>• Replace the ECM with a known good one, and inspect it again.</li> </ul>
NO	Replace the ECT sensor with a new one.

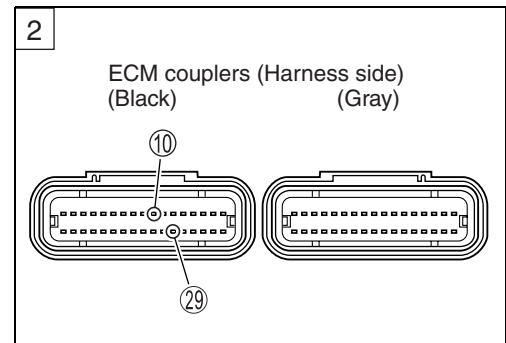
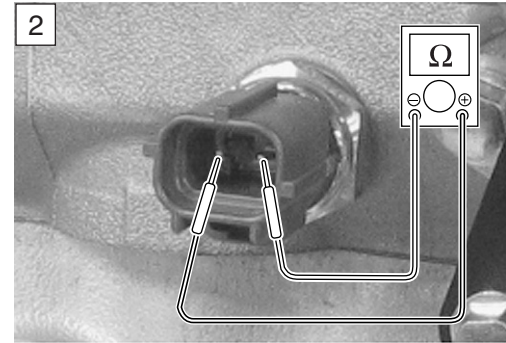
**CAUTION**

**When using the multi-circuit tester, do not strongly touch the terminal of the ECM coupler with a needle pointed tester probe to prevent the terminal damage or terminal bend.**

- 4) After repairing the trouble, clear the DTC using SDS tool. (☞ 4-27)

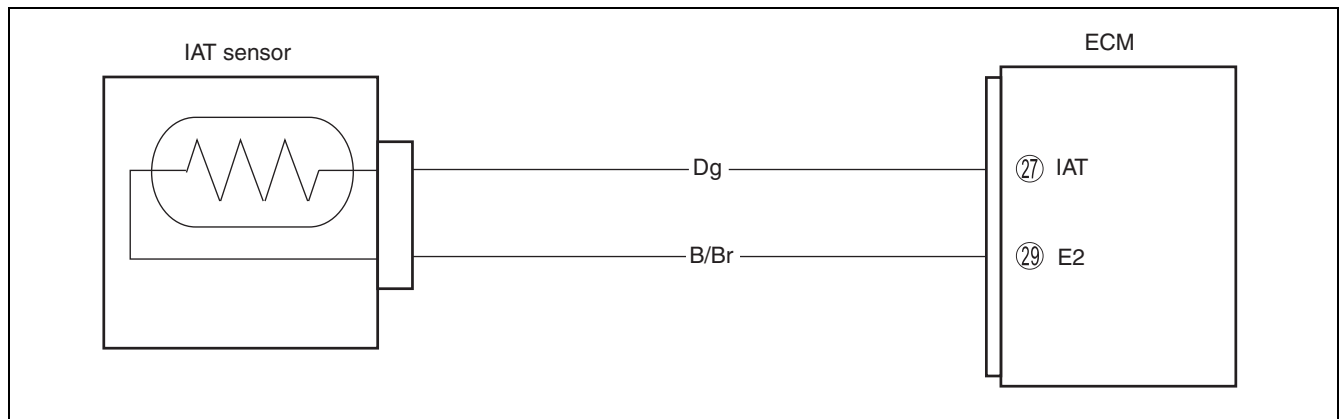
**DATA** ECT sensor specification

Engine Coolant Temp	Resistance
20 °C (68 °F)	Approx. 2.45 kΩ
50 °C (122 °F)	Approx. 0.811 kΩ
80 °C (176 °F)	Approx. 0.318 kΩ
110 °C (230 °F)	Approx. 0.142 kΩ



## “C21” (P0110-H/L) IAT SENSOR CIRCUIT MALFUNCTION

DETECTED CONDITION		POSSIBLE CAUSE
C21	Output voltage is not within the following range. $0.15\text{ V} \leq \text{Sensor voltage} < 4.85\text{ V}$	<ul style="list-style-type: none"> <li>IAT sensor circuit open or short</li> <li>IAT sensor malfunction</li> <li>ECM malfunction</li> </ul>
P0110	H Sensor voltage is higher than specified value.	<ul style="list-style-type: none"> <li>IAT sensor circuit open or ground circuit open</li> </ul>
	L Sensor voltage is lower than specified value.	<ul style="list-style-type: none"> <li>IAT sensor circuit shorted to ground</li> </ul>



### INSPECTION

#### Step 1 (When indicating C21:)

- Turn the ignition switch OFF.
- Lift and support the fuel tank. (→ 5-3)
- Check the IAT sensor coupler for loose or poor contacts.  
If OK, then measure the IAT sensor voltage at the wire side coupler.
- Disconnect the coupler and turn the ignition switch ON.
- Measure the voltage between Dg wire terminal (A) and ground.
- If OK, then measure the voltage between Dg wire terminal (A) and B/Br wire terminal (B).



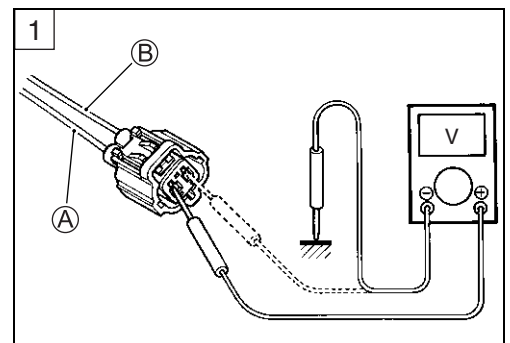
**DATA** IAT sensor input voltage: 4.5 – 5.5 V

(+ Dg – Ground)

(+ Dg – B/Br)

**TOOL** 09900-25008: Multi-circuit tester set

**Tester knob indication: Voltage (---)**



Is the voltage OK?

YES	Go to Step 2.
NO	<ul style="list-style-type: none"> <li>Loose or poor contacts on the ECM coupler (terminal 27 or 29)</li> <li>Open or short circuit in the Dg wire or B/Br wire</li> </ul>

**Step 1 (When indicating P0110-H:)**

- 1) Turn the ignition switch OFF.
- 2) Lift and support the fuel tank. (☞ 5-3)
- 3) Check the IAT sensor coupler for loose or poor contacts.  
If OK, then check the IAT sensor lead wire continuity.

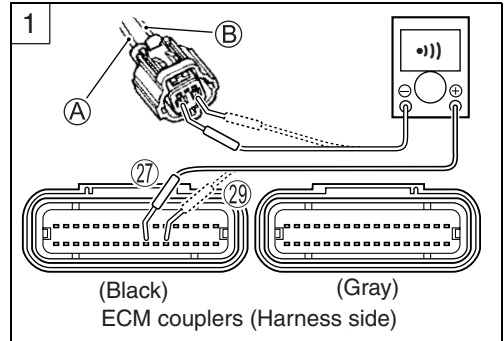


- 4) Disconnect the IAT sensor coupler and ECM coupler.
- 5) Check the continuity between Dg wire (A) and terminal 27.
- 6) Also, check the continuity between B/Br wire (B) and terminal 29.

**DATA** IATS lead wire continuity: Continuity (•••)

**TOOL** 09900-25008: Multi-circuit tester set  
09900-25009: Needle pointed probe set

**Tester knob indication: Continuity test (•••)**



**CAUTION**

When using the multi-circuit tester, do not strongly touch the terminal of the ECM coupler with a needle pointed tester probe to prevent the terminal damage or terminal bend.

Is the continuity OK?

YES	Go to Step 2.
NO	Dg wire or B/Br wire open

- 7) After repairing the trouble, clear the DTC using SDS tool.  
(☞ 4-27)



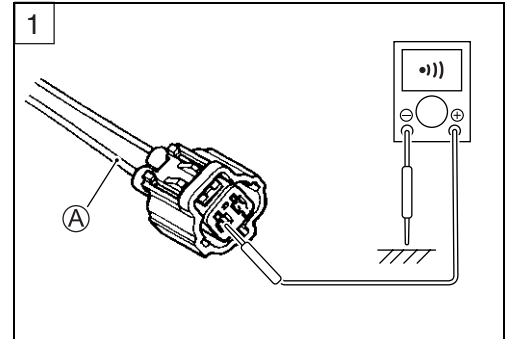
**Step 1 (When indicating P0110-L:)**

- 1) Turn the ignition switch OFF.
- 2) Lift and support the fuel tank. (☞ 5-3)
- 3) Check the IAT sensor coupler for loose or poor contacts.  
If OK, then check the IAT sensor lead wire continuity.



- 4) Disconnect the IAT sensor coupler.
- 5) Check the continuity between Dg wire (A) and ground. If the sound is not heard from the tester, the circuit condition is OK.

**Tester knob indication: Continuity test (•••)**

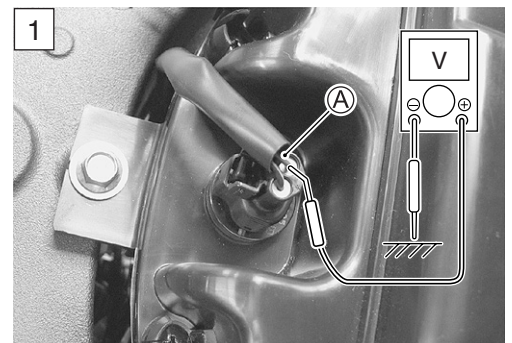


- 6) Connect the IAT sensor coupler and turn the ignition switch ON.
- 7) Measure the voltage between Dg wire (A) and ground.

**DATA** IAT sensor output voltage: 0.15 – 4.85 V  
(⊕ Dg – ⊖ Ground)

**09900-25008: Multi-circuit tester set**  
**09900-25009: Needle pointed probe set**

**Tester knob indication: Voltage (---)**



Are the continuity and voltage OK?

YES	Go to Step 2.
NO	<ul style="list-style-type: none"> <li>• Dg wire shorted to ground</li> <li>• If wire is OK, go to Step 2.</li> </ul>

- 8) After repairing the trouble, clear the DTC using SDS tool.  
(☞ 4-27)

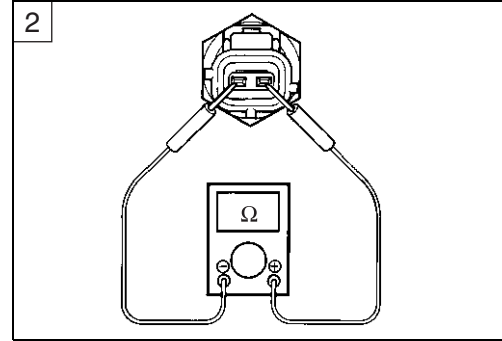
**Step 2**

- 1) Turn the ignition switch OFF.
- 2) Measure the IAT sensor resistance.

**DATA** IAT sensor resistance: **Approx. 2.45 kΩ at 20 °C (68 °F)**  
**(Terminal – Terminal)**

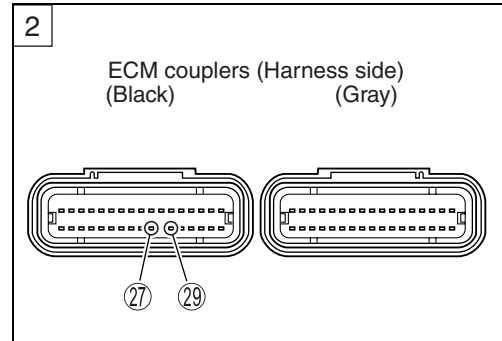
**TOOL** 09900-25008: Multi-circuit tester set

**Tester knob indication: Resistance (Ω)**



Is the resistance OK?

YES	<ul style="list-style-type: none"> <li>• Dg or B/Br wire open or shorted to ground, or poor ⑳ or ㉑ connection</li> <li>• If wire and connection are OK, intermittent trouble or faulty ECM.</li> <li>• Recheck each terminal and wire harness for open circuit and poor connection.</li> <li>• Replace the ECM with a known good one, and inspect it again.</li> </ul>
NO	Replace the IAT sensor with a new one.



**CAUTION**

**When using the multi-circuit tester, do not strongly touch the terminal of the ECM coupler with a needle pointed tester probe to prevent the terminal damage or terminal bend.**

**DATA** IAT sensor specification

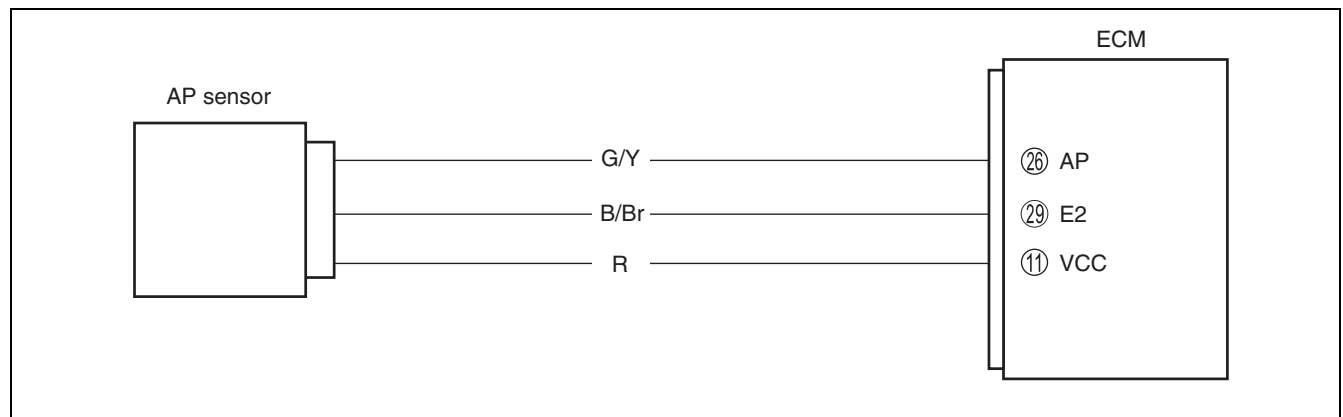
Intake Air Temp	Resistance
20 °C (68 °F)	Approx. 2.45 kΩ
50 °C (122 °F)	Approx. 0.808 kΩ
80 °C (176 °F)	Approx. 0.322 kΩ
110 °C (230 °F)	Approx. 0.148 kΩ

**NOTE:**

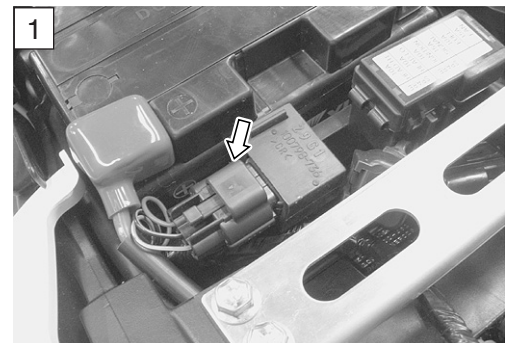
IAT sensor resistance measurement method is the same way as that of the ECT sensor. Refer to page 7-7 for details.

**“C22” (P1450-H/L) AP SENSOR CIRCUIT MALFUNCTION**

		DETECTED CONDITION	POSSIBLE CAUSE
C22		AP sensor voltage is not within the following range. $0.5 \text{ V} \leq \text{Sensor voltage} < 4.85 \text{ V}$ <b>NOTE:</b> <i>Note that atmospheric pressure varies depending on weather conditions as well as altitude.</i> <i>Take that into consideration when inspecting voltage.</i>	<ul style="list-style-type: none"> <li>• Clogged air passage with dust</li> <li>• AP sensor circuit open or shorted to ground</li> <li>• AP sensor malfunction</li> <li>• ECM malfunction</li> </ul>
P1450	H	Sensor voltage is higher than specified value.	<ul style="list-style-type: none"> <li>• AP sensor circuit shorted to VCC or ground circuit open</li> </ul>
	L	Sensor voltage is lower than specified value.	<ul style="list-style-type: none"> <li>• AP sensor circuit open or shorted to ground or VCC circuit open</li> </ul>

**INSPECTION****Step 1 (When indicating C22:)**

- 1) Turn the ignition switch OFF.
- 2) Remove the front seat. (→ 8-7)
- 3) Check the AP sensor coupler for loose or poor contacts.  
If OK, then measure the AP sensor input voltage.



- 4) Disconnect the AP sensor coupler.
- 5) Turn the ignition switch ON.
- 6) Measure the voltage at the R wire and ground.
- 7) If OK, then measure the voltage at the R wire (A) and B/Br wire (B).

**DATA** AP sensor input voltage: 4.5 – 5.5 V  
 (+ R – (–) Ground)  
 (+ R – (–) B/Br)

**TOOL** 09900-25008: Multi-circuit tester set

**Tester knob indication: Voltage (V)**

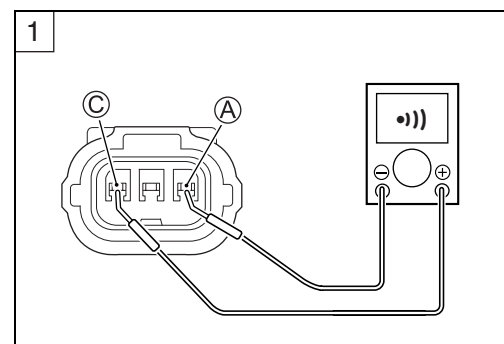
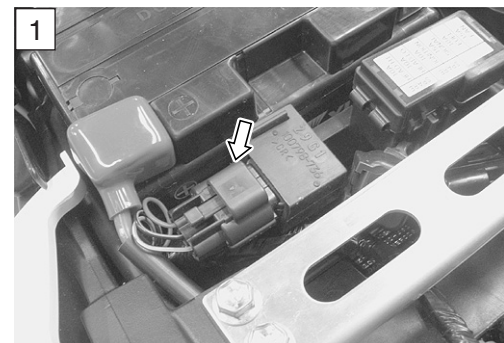
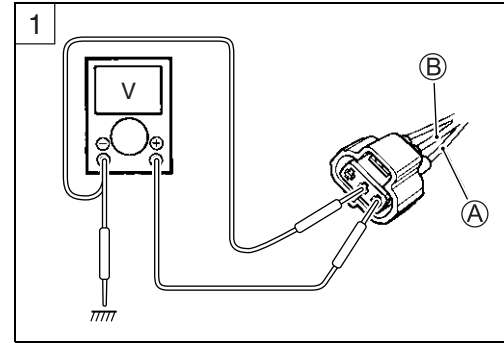
Is the voltage OK?

YES	Go to Step 2.
NO	<ul style="list-style-type: none"> <li>• Loose or poor contacts on the ECM coupler (terminal 11 or 29)</li> <li>• Open or short circuit in the R wire or B/Br wire</li> </ul>

**Step 1 (When indicating P1450-H:)**

- 1) Turn the ignition switch OFF.
- 2) Remove the front seat. (8-7)
- 3) Check the AP sensor coupler for loose or poor contacts.  
 If OK, then check the AP sensor lead wire continuity.

- 4) Disconnect the AP sensor coupler.
- 5) Check the continuity between R wire (A) and G/Y wire (C). If the sound is not heard from the tester, the circuit condition is OK.



- 6) Disconnect the ECM coupler.
- 7) Check the continuity between G/Y wire ③ and terminal ⑳.
- 8) If OK, then check the continuity between B/Br wire ④ and terminal ㉑.

**DATA** APS lead wire continuity: Continuity (•••)

**TOOL** 09900-25008: Multi-circuit tester set  
09900-25009: Needle pointed probe set

**Tester knob indication: Continuity test (•••)**

**CAUTION**

**When using the multi-circuit tester, do not strongly touch the terminal of the ECM coupler with a needle pointed tester probe to prevent the terminal damage or terminal bend.**

Is the continuity OK?

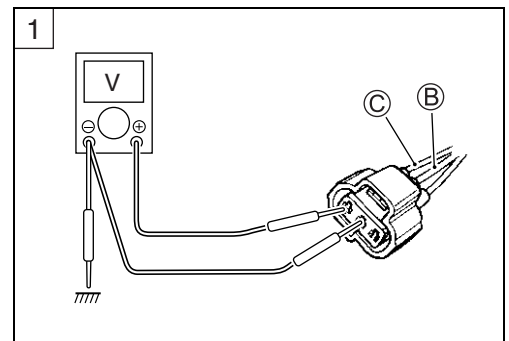
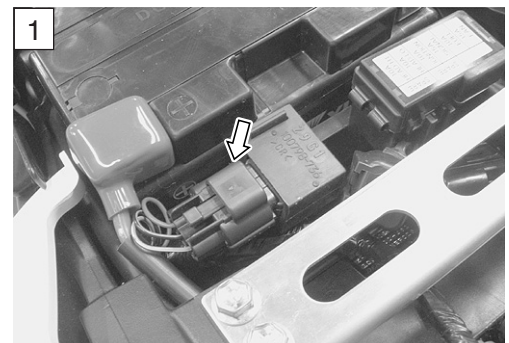
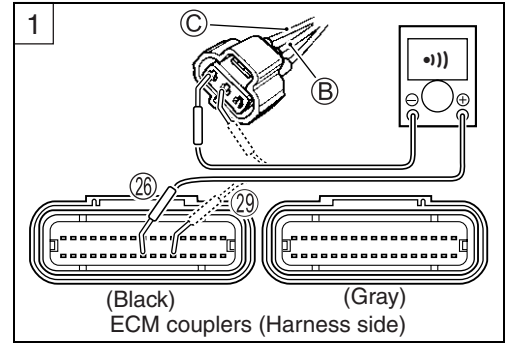
YES	Go to Step 2.
NO	G/Y wire shorted to VCC, or B/Br wire open

- 9) After repairing the trouble, clear the DTC using SDS tool. (☞ 4-27)

**Step 1 (When indicating P1450-L:)**

- 1) Turn the ignition switch OFF.
- 2) Remove the front seat. (☞ 8-7)
- 3) Check the AP sensor coupler for loose or poor contacts.  
If OK, then check the AP sensor lead wire continuity.

- 4) Disconnect the AP sensor coupler.
- 5) Check the continuity between G/Y wire ③ and ground.
- 6) Also, check the continuity between G/Y wire ③ and B/Br wire ④. If the sound is not heard from the tester, the circuit condition is OK.

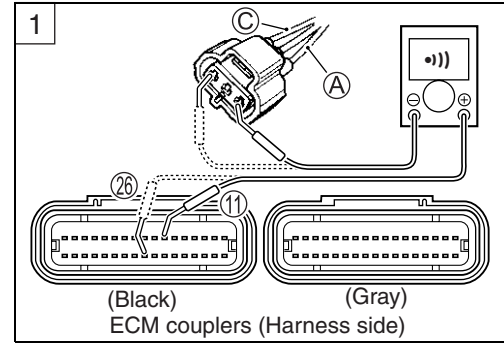


- 7) Disconnect the ECM coupler.
- 8) Check the continuity between R wire (A) and terminal (11).
- 9) If OK, then check the continuity between G/Y wire (C) and terminal (26).

**DATA** APS lead wire continuity: Continuity (•••)

**TOOL** 09900-25008: Multi-circuit tester set  
09900-25009: Needle pointed probe set

**Tester knob indication: Continuity test (•••)**



**CAUTION**

When using the multi-circuit tester, do not strongly touch the terminal of the ECM coupler with a needle pointed tester probe to prevent the terminal damage or terminal bend.

Is the continuity OK?

YES	Go to Step 1 (☞ 4-57) and go to Step 2.
NO	R or G/Y wire open, or G/Y wire shorted to ground

- 10) After repairing the trouble, clear the DTC using SDS tool. (☞ 4-27)

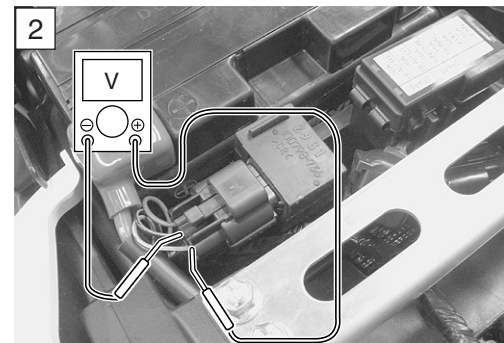
**Step 2**

- 1) Connect the AP sensor coupler and ECM coupler.
- 2) Insert the needle pointed probes to the lead wire coupler. Turn the ignition switch ON.
- 3) Measure the AP sensor output voltage at the wire side coupler (between G/Y and B/Br wires).

**DATA** AP sensor output voltage: Approx. 3.6 V at  
100 kPa (760 mmHg)  
(+ G/Y – – B/Br)

**TOOL** 09900-25008: Multi-circuit tester set  
09900-25009: Needle pointed probe set

**Tester knob indication: Voltage (---)**



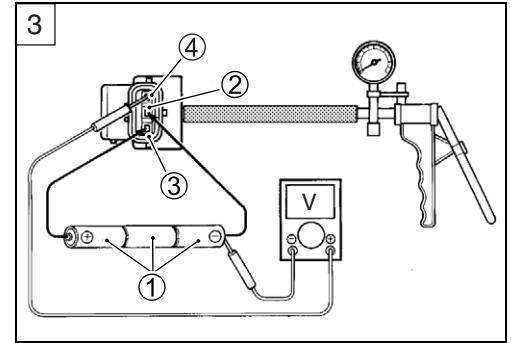
YES	Go to Step 3.
NO	<ul style="list-style-type: none"> <li>• Check the air passage for clogging.</li> <li>• Open or short circuit in the G/Y wire</li> <li>• Replace the AP sensor with a new one.</li> </ul>

- 4) After repairing the trouble, clear the DTC using SDS tool. (☞ 4-27)



**Step 3**

- 1) Remove the AP sensor.
- 2) Connect the vacuum pump gauge to the vacuum port of the AP sensor.  
 Arrange 3 new 1.5 V batteries in series ① (check that total voltage is 4.5 – 5.0 V) and connect ⊖ terminal to the ground terminal ② and ⊕ terminal to the VCC terminal ③.
- 3) Check the voltage between V-out ④ and ground. Also, check if voltage reduces when vacuum is applied up to 53 kPa (400 mmHg) by using vacuum pump gauge. (↪ Below)



**TOOL** 09917-47011: Vacuum pump gauge  
 09900-25008: Multi-circuit tester set

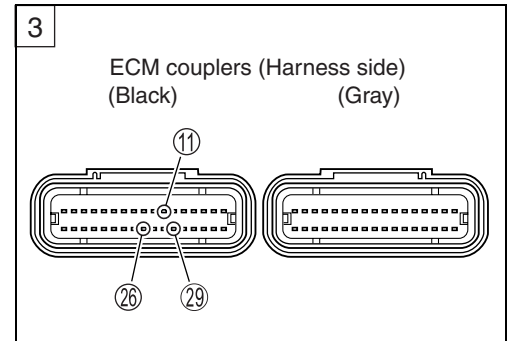
**V** Tester knob indication: Voltage (---)

Is the voltage OK?

YES	<ul style="list-style-type: none"> <li>• G/Y, R or B/Br wire open or shorted to ground, or poor ②⑥, ①① or ②⑨ connection.</li> <li>• If wire and connection are OK, intermittent trouble or faulty ECM.</li> <li>• Recheck each terminal and wire harness for open circuit and poor connection.</li> <li>• Replace the ECM with a known good one, and inspect it again.</li> </ul>
NO	If check result is not satisfactory, replace AP sensor with a new one.

**CAUTION**

**When using the multi-circuit tester, do not strongly touch the terminal of the ECM coupler with a needle pointed tester probe to prevent the terminal damage or terminal bend.**



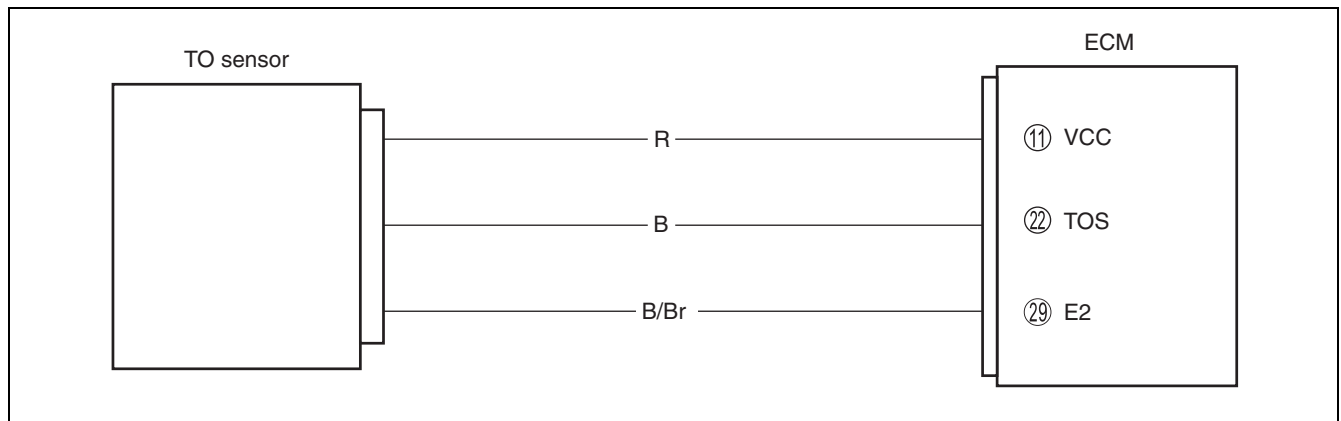
- 4) After repairing the trouble, clear the DTC using SDS tool. (↪ 4-27)

**Output voltage (VCC voltage 4.5 – 5.0 V, ambient temp. 20 – 30 °C, 68 – 86 °F)**

ALTITUDE (Reference)		ATMOSPHERIC PRESSURE		OUTPUT VOLTAGE
(ft)	(m)	(mmHg)	kPa	(V)
0   2 000	0   610	760   707	100   94	3.1 – 3.6
2 001   5 000	611   1 524	707   634	94   85	2.8 – 3.4
5 001   8 000	1 524   2 438	634   567	85   76	2.6 – 3.1
8 001   10 000	2 439   3 048	567   526	76   70	2.4 – 2.9

## “C23” (P1651-H/L) TO SENSOR CIRCUIT MALFUNCTION

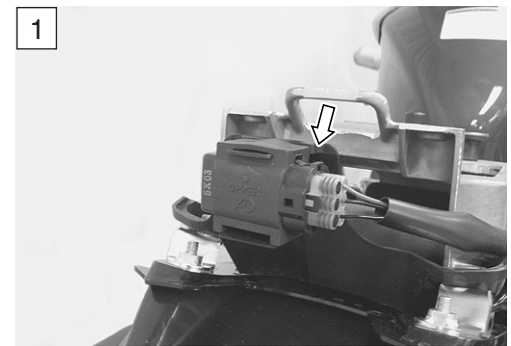
DETECTED CONDITION		POSSIBLE CAUSE
C23	The sensor voltage should be the following for 2 sec. and more, after ignition switch is turned ON. $0.2\text{ V} \leq \text{Sensor voltage} < 4.8\text{ V}$	<ul style="list-style-type: none"> <li>• TO sensor circuit open or short</li> <li>• TO sensor malfunction</li> <li>• ECM malfunction</li> </ul>
P1651	H	<ul style="list-style-type: none"> <li>• TO sensor circuit shorted to VCC or ground circuit open</li> <li>• TO sensor circuit open or shorted to ground or VCC circuit open</li> </ul>
	L	



### INSPECTION

#### Step 1 (When indicating C23:)

- 1) Turn the ignition switch OFF.
- 2) Remove the frame cover. (☞ 8-8)
- 3) Check the TO sensor coupler for loose or poor contacts.  
If OK, then measure the TO sensor resistance.
- 4) Disconnect the TO sensor coupler.



- 5) Measure the resistance between terminal ① and terminal ③.

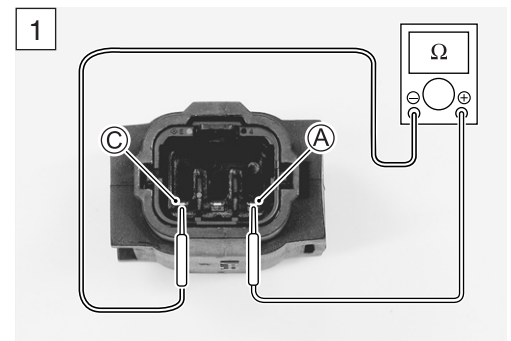
**DATA** TO sensor resistance: 16.5 – 22.3 kΩ  
(Terminal ① – Terminal ③)

**TOOL** 09900-25008: Multi-circuit tester set

**Tester knob indication: Resistance (Ω)**

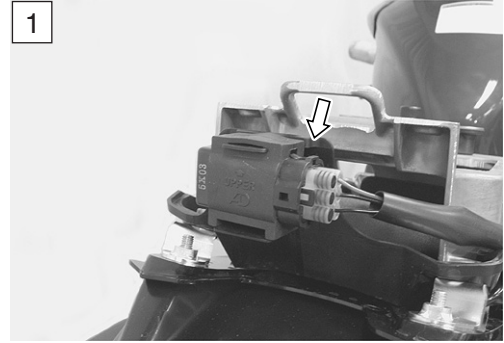
Is the resistance OK?

YES	Go to Step 2.
NO	Replace the TO sensor with a new one.

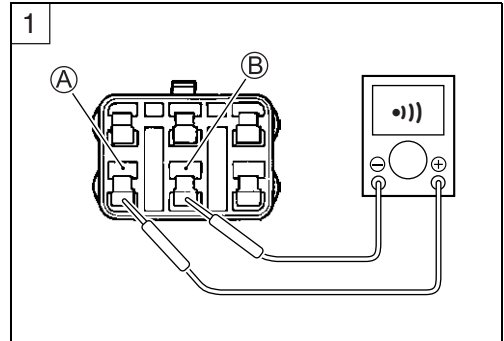


**Step 1 (When indicating P1651-H:)**

- 1) Turn the ignition switch OFF.
- 2) Remove the frame cover. (🔧 8-8)
- 3) Check the TO sensor coupler for loose or poor contacts.  
If OK, then check the TO sensor lead wire continuity.



- 4) Disconnect the TO sensor coupler.
- 5) Check the continuity between R wire (A) and B wire (B).  
If the sound is not heard from the tester, the circuit condition is OK.

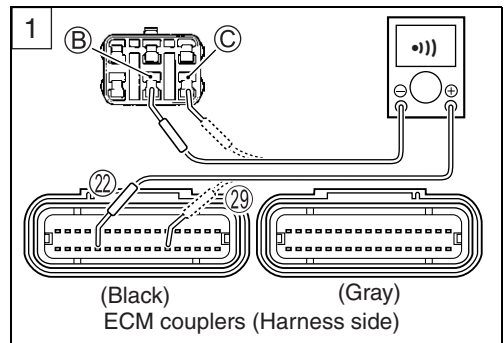


- 6) Disconnect the ECM coupler.
- 7) Check the continuity between B wire (B) and terminal 22.
- 8) Also, check the continuity between B/Br wire (C) and terminal 29.

**DATA** TOS lead wire continuity: Continuity (•||)

**TOOL** 09900-25008: Multi-circuit tester set  
09900-25009: Needle pointed probe set

**Tester knob indication: Continuity test (•||)**



**CAUTION**

When using the multi-circuit tester, do not strongly touch the terminal of the ECM coupler with a needle pointed tester probe to prevent the terminal damage or terminal bend.

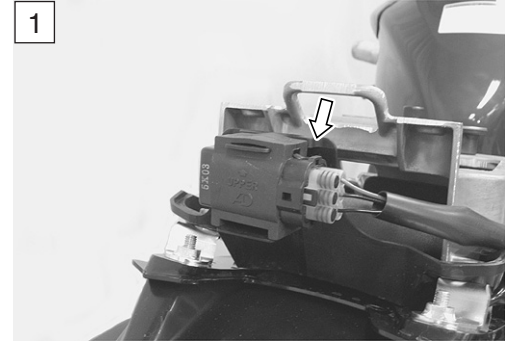
Is the continuity OK?

YES	Go to Step 2.
NO	B wire shorted to VCC, or B/Br wire open.

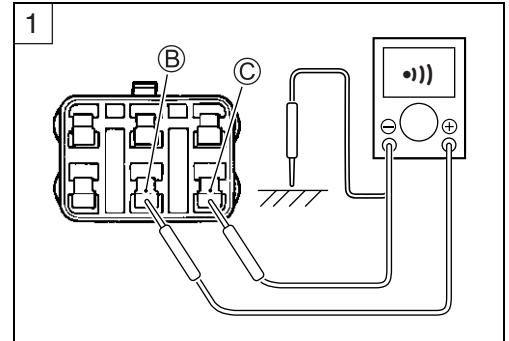
- 9) After repairing the trouble, clear the DTC using SDS tool.  
(🔧 4-27)

**Step 1 (When indicating P1651-L:)**

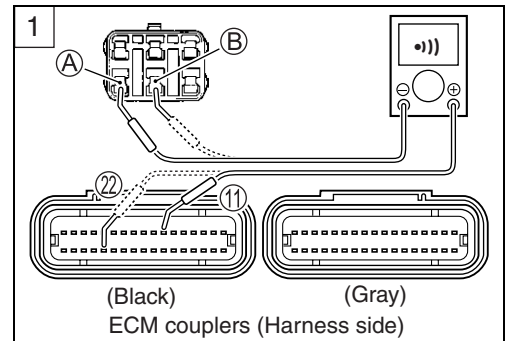
- 1) Turn the ignition switch OFF.
- 2) Remove the frame cover. (☞ 8-8)
- 3) Check the TO sensor coupler for loose or poor contacts.  
If OK, then check the TO sensor lead wire continuity.



- 4) Disconnect the TO sensor coupler.
- 5) Check the continuity between B wire (B) and ground.
- 6) Also, check the continuity between B wire (B) and B/Br wire (C). If the sound is not heard from the tester, the circuit condition is OK.



- 7) Disconnect the ECM coupler.
- 8) Check the continuity between R wire (A) and terminal (11).
- 9) Also, then check the continuity between B wire (B) and terminal (22).



**DATA** TOS lead wire continuity: Continuity (•))

**TOOL** 09900-25008: Multi-circuit tester set  
09900-25009: Needle pointed probe set

**Tester knob indication: Continuity test (•))**

**CAUTION**

**When using the multi-circuit tester, do not strongly touch the terminal of the ECM coupler with a needle pointed tester probe to prevent the terminal damage or terminal bend.**

Is the continuity OK?

YES	Go to Step 2.
NO	R or B wire open, or B wire shorted to ground.

- 10) After repairing the trouble, clear the DTC using SDS tool. (☞ 4-27)

**Step 2**

- 1) Connect the TO sensor coupler and ECM coupler.
- 2) Insert the needle pointed probes to the lead wire coupler.
- 3) Turn the ignition switch ON.
- 4) Measure the voltage between B and B/Br wires.

**DATA** TO sensor voltage (Normal): 0.4 – 1.4 V  
(⊕ B – ⊖ B/Br)

Also, measure the voltage as the motorcycle is leaned.

- 5) Dismount the TO sensor from its bracket and measure the voltage when it is leaned 65° and more, left and right, from the horizontal level.

**DATA** TO sensor voltage (Leaning): 3.7 – 4.4 V  
(⊕ B – ⊖ B/Br)

**TOOL** 09900-25008: Multi-circuit tester set  
09900-25009: Needle pointed probe set

**Tester knob indication: Voltage (V)**

Is the voltage OK?

YES	<ul style="list-style-type: none"> <li>• R, B or B/Br wire open or shorted to ground, or poor ①, ② or ⑨ connection</li> <li>• If wire and connection are OK, intermittent trouble or faulty ECM.</li> <li>• Recheck each terminal and wire harness for open circuit and poor connection.</li> <li>• Replace the ECM with a known good one, and inspect it again.</li> </ul>
NO	<ul style="list-style-type: none"> <li>• Loose or poor contacts on the ECM coupler</li> <li>• Open or short circuit</li> <li>• Replace the TO sensor with a new one.</li> </ul>

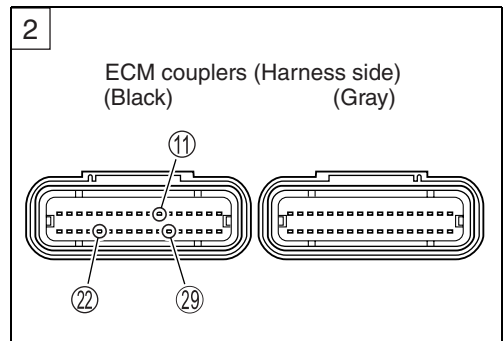
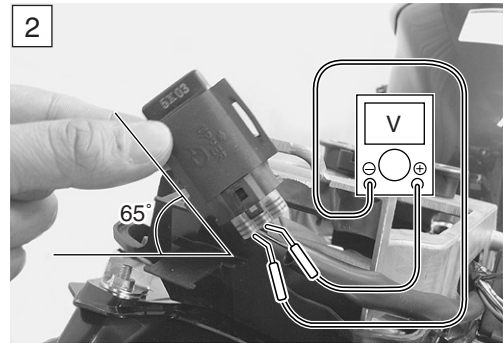
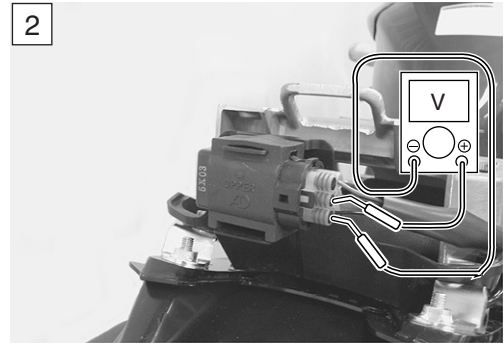
**CAUTION**

When using the multi-circuit tester, do not strongly touch the terminal of the ECM coupler with a needle pointed tester probe to prevent the terminal damage or terminal bend.

- 6) After repairing the trouble, clear the DTC using SDS tool.  
(☞ 4-27)

**“C24” (P0351), “C25” (P0352), “C26” (P0353) or “C27” (P0354) IGNITION SYSTEM MALFUNCTION**

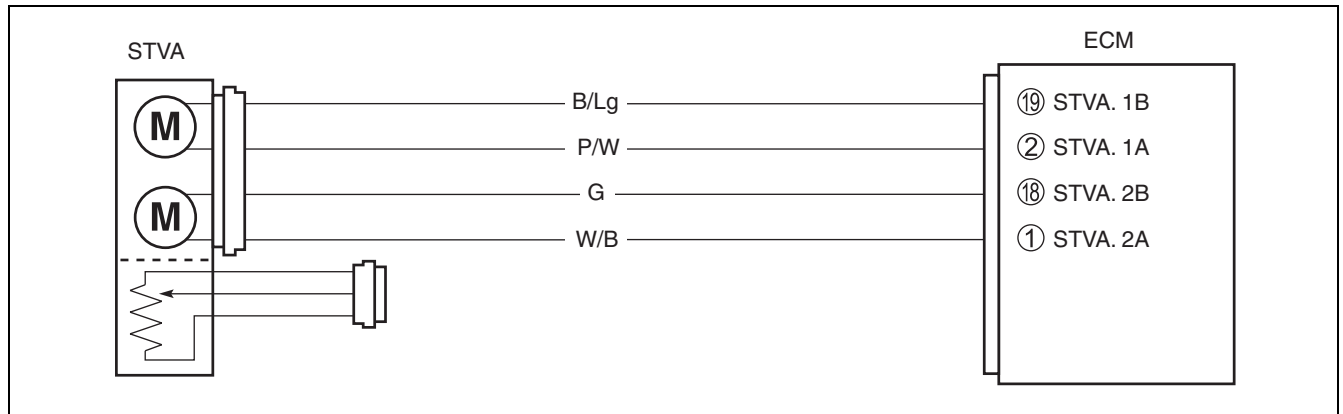
\* Refer to the IGNITION SYSTEM for details. (☞ 9-20)





## “C28” (P1655) STV ACTUATOR CIRCUIT MALFUNCTION

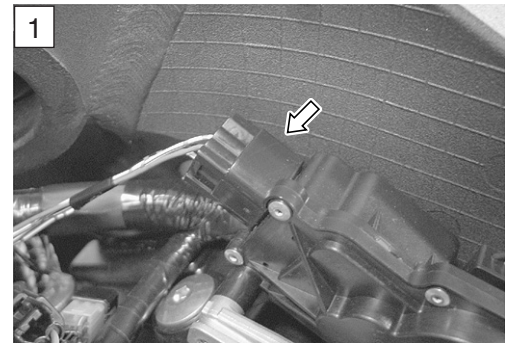
DETECTED CONDITION	POSSIBLE CAUSE
The operation voltage does not reach the STVA. ECM does not receive communication signal from the STVA.	<ul style="list-style-type: none"> <li>• STVA malfunction</li> <li>• STVA circuit open or short</li> <li>• STVA motor malfunction</li> </ul>



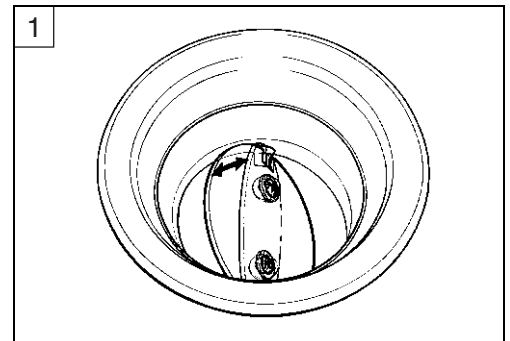
### INSPECTION

#### Step 1

- 1) Lift and support the fuel tank. (↗ 5-3)
- 2) Remove the air cleaner box. (↗ 5-14)
- 3) Check the STVA lead wire coupler for loose or poor contacts.



- 4) Turn the ignition switch ON to check the STV operation.  
(STV operating order: Full open → 95% open)



Is the operating OK?

YES	Go to Step 2.
NO	<ul style="list-style-type: none"> <li>• Loose or poor contacts on the STVA coupler</li> <li>• Open or short circuit in the B/Lg, P/W, W/B or G wires</li> <li>• If wire and connection are OK, go to Step 2.</li> </ul>

- 5) After repairing the trouble, clear the DTC using SDS tool.  
(↗ 4-27)

**Step 2**

- 1) Turn the ignition switch OFF.
- 2) Disconnect the STVA lead wire coupler.
- 3) Check the continuity between each terminal and ground.

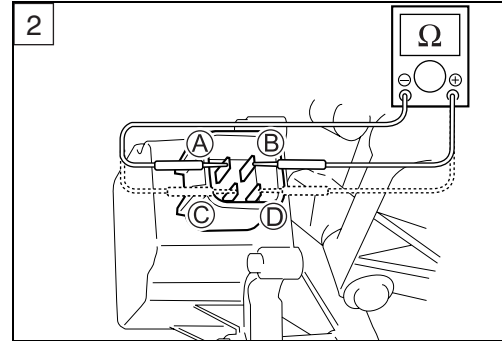
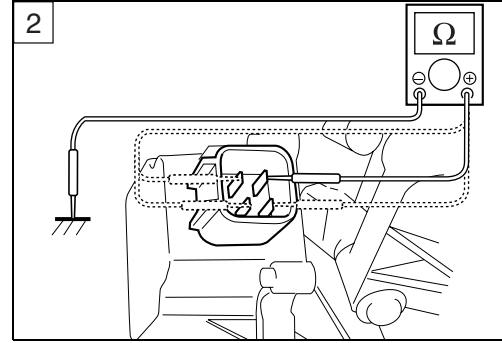
**DATA** STVA continuity:  $\infty \Omega$  (Infinity)  
(Terminal – Ground)

- 4) If OK, then measure the STVA resistance (between terminal (A) and terminal (B)) and (between terminal (C) and terminal (D)).

**DATA** STVA resistance: Approx.  $7.0 \Omega$   
(Terminal (A) – Terminal (B))  
(Terminal (C) – Terminal (D))

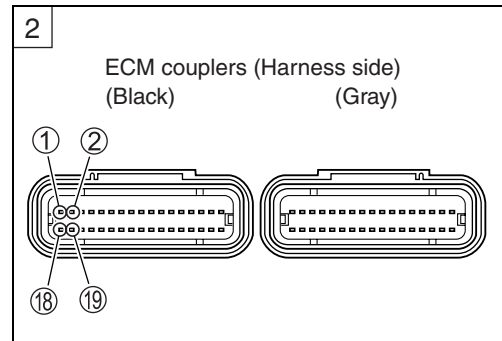
**TOOL** 09900-25008: Multi-circuit tester set

**Tester knob indication: Resistance ( $\Omega$ )**




Is the resistance OK?

YES	<ul style="list-style-type: none"> <li>• W/B, P/W, G and B/Lg wire open or shorted to ground, or poor ①, ②, ⑱ and ⑲ connection</li> <li>• If wire and connection are OK, intermittent trouble or faulty ECM.</li> <li>• Recheck each terminal and wire harness for open circuit and poor connection.</li> <li>• Replace the ECM with a known good one, and inspect it again.</li> </ul>
NO	<ul style="list-style-type: none"> <li>• Loose or poor contacts on the ECM coupler.</li> <li>• Replace the STVA with a new one.</li> </ul>



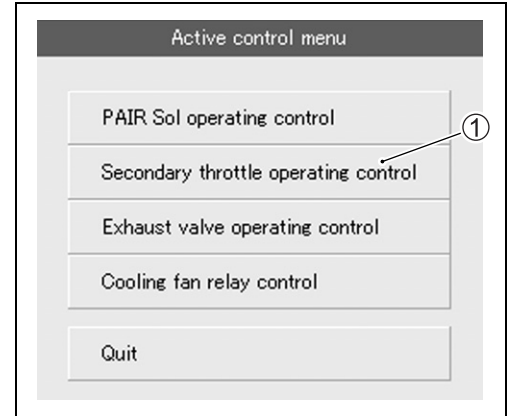
**CAUTION**

**When using the multi-circuit tester, do not strongly touch the terminal of the ECM coupler with a needle pointed tester probe to prevent the terminal damage or terminal bend.**

- 5) After repairing the trouble, clear the DTC using SDS tool.  
( 4-27)

**ACTIVE CONTROL INSPECTION**

- 1) Set up the SDS tool. (Refer to the SDS operation manual for further details.)
- 2) Turn the ignition switch ON.
- 3) Click “Secondary throttle operating control” ①.



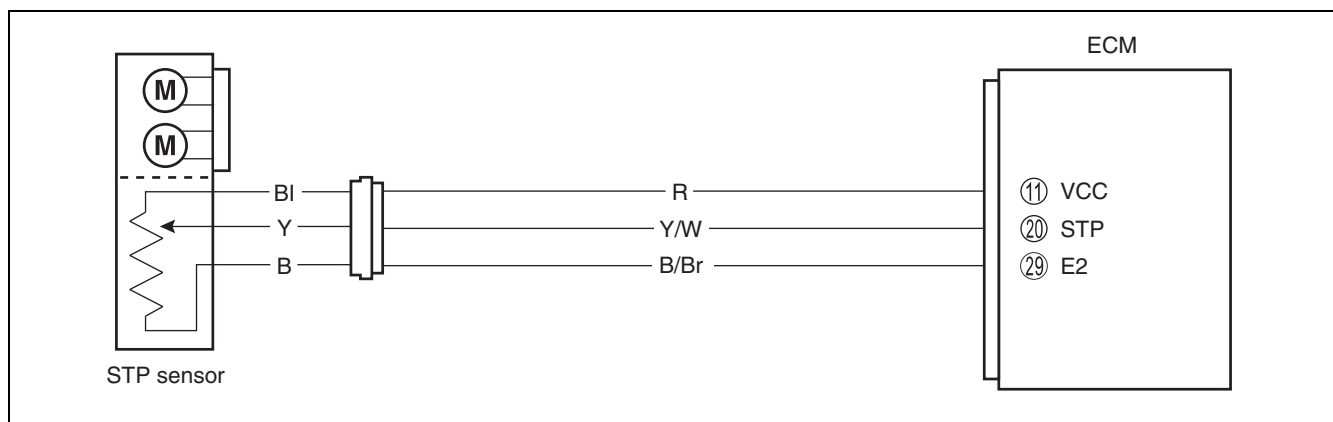
- 4) Click each button ②.

At this time, if an operation sound is heard from the STVA, the function is normal.

<input checked="" type="checkbox"/>	Secondary throttle actuator position sensor	94.5	%
<input checked="" type="checkbox"/>	Secondary throttle full opened	Except full opn	
<input checked="" type="checkbox"/>	Secondary throttle full closed	Except full cls	
<input checked="" type="checkbox"/>	Engine coolant / oil temperature	53.5	* C
<input checked="" type="checkbox"/>	Engine speed	0	rpm
<input checked="" type="checkbox"/>	Throttle position	28.9	*
<input checked="" type="checkbox"/>	Intake air temperature	45.9	* C
<input checked="" type="checkbox"/>	Barometric pressure	102.0	kPa
<input checked="" type="checkbox"/>	Manifold absolute pressure 1	101.3	kPa

## “C29” (P1654-H/L) STP SENSOR CIRCUIT MALFUNCTION

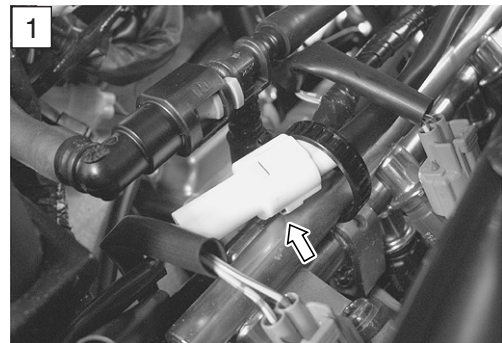
DETECTED CONDITION		POSSIBLE CAUSE
C29	Signal voltage is not within the following range. Difference between actual throttle opening and opening calculated by ECM is larger than specified value. $0.15\text{ V} \leq \text{Sensor voltage} < 4.85\text{ V}$	<ul style="list-style-type: none"> <li>• STP sensor maladjusted</li> <li>• STP sensor circuit open or short</li> <li>• STP sensor malfunction</li> <li>• ECM malfunction</li> </ul>
P1654	H	• STP sensor circuit shorted to VCC or ground circuit open
	L	• STP sensor circuit open or shorted to ground or VCC circuit open



### INSPECTION

#### Step 1 (When indicating C29:)

- 1) Turn the ignition switch OFF.
- 2) Lift and support the fuel tank. (↔ 5-3)
- 3) Check the STP sensor coupler for loose or poor contacts.  
If OK, then measure the STP sensor input voltage.
- 4) Disconnect the STP sensor coupler.
- 5) Turn the ignition switch ON.
- 6) Measure the voltage at the R wire (A) and ground.
- 7) Also, measure the voltage at the R wire (A) and B/Br wire (C).



**DATA** STP sensor input voltage: 4.5 – 5.5 V

(+ R – (–) Ground)

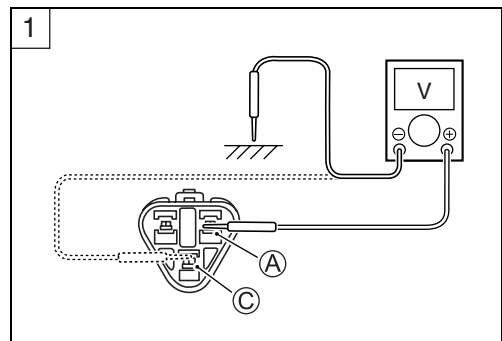
(+ R – (–) B/Br)

**TOOL** 09900-25008: Multi-circuit tester set

**Tester knob indication: Voltage (V)**

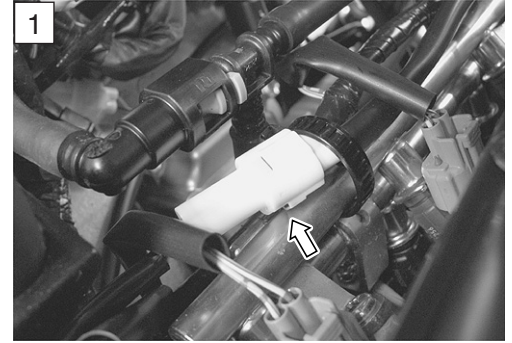
Is the voltage OK?

YES	Go to Step 2.
NO	<ul style="list-style-type: none"> <li>• Loose or poor contacts on the ECM coupler (terminal 11 or 29)</li> <li>• Open or short circuit in the R wire or B/Br wire</li> </ul>

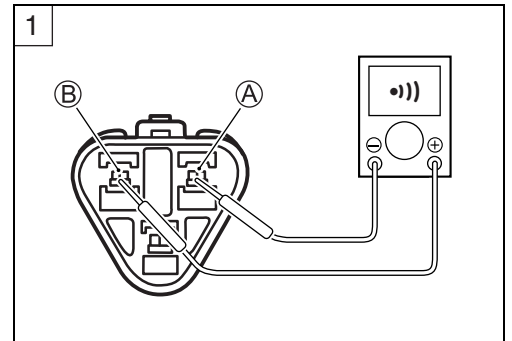


**Step 1 (When indicating P1654-H:)**

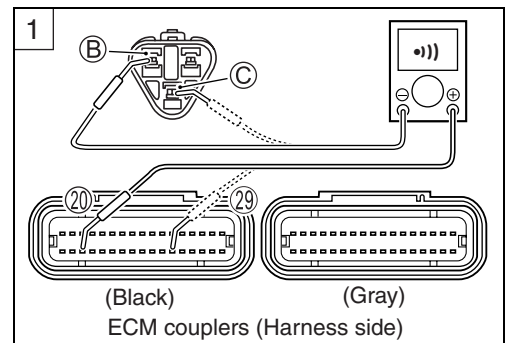
- 1) Turn the ignition switch OFF.
- 2) Lift and support the fuel tank. (☞ 5-3)
- 3) Check the STP sensor coupler for loose or poor contacts.  
If OK, then check the STP sensor lead wire continuity.



- 4) Disconnect the STP sensor coupler.
- 5) Check the continuity between Y/W wire (B) and R wire (A).  
If the sound is not heard from the tester, the circuit condition is OK.



- 6) Disconnect the ECM coupler.
- 7) Check the continuity between Y/W wire (B) and terminal (20).
- 8) Also, check the continuity between B/Br wire (C) and terminal (29).



**DATA** STPS lead wire continuity: Continuity (•••)

**TOOL** 09900-25008: Multi-circuit tester set  
09900-25009: Needle pointed probe set

**Tester knob indication: Continuity test (•••)**

**CAUTION**

**When using the multi-circuit tester, do not strongly touch the terminal of the ECM coupler with a needle pointed tester probe to prevent the terminal damage or terminal bend.**

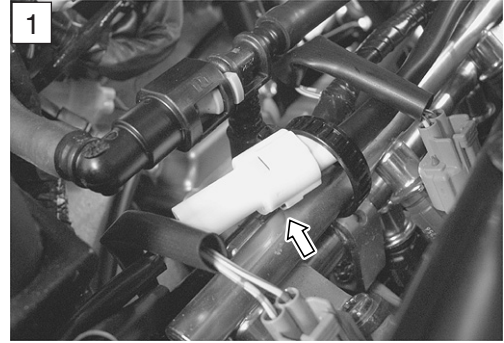
Is the continuity OK?

YES	Go to Step 2.
NO	Y/W wire shorted to VCC, or B/Br wire open

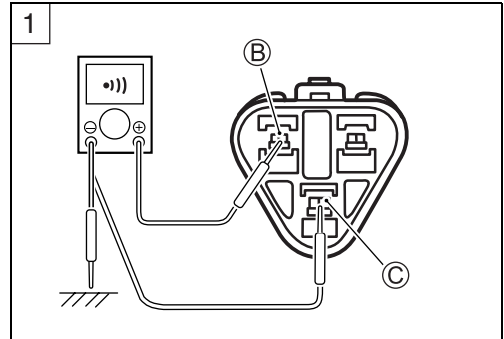
- 9) After repairing the trouble, clear the DTC using SDS tool.  
(☞ 4-27)

**Step 1 (When indicating P1654-L:)**

- 1) Turn the ignition switch OFF.
- 2) Lift and support the fuel tank. (☞ 5-3)
- 3) Check the STP sensor coupler for loose or poor contacts.  
If OK, then check the STP sensor lead wire continuity.



- 4) Disconnect the STP sensor coupler.
- 5) Check the continuity between Y/W wire (B) and ground.
- 6) Also, check the continuity between Y/W wire (B) and B/Br wire (C). If the sound is not heard from the tester, the circuit condition is OK.

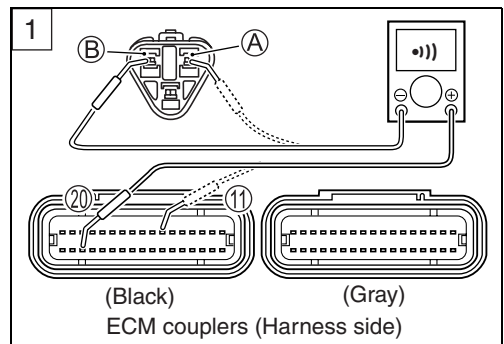


- 7) Disconnect the ECM coupler.
- 8) Check the continuity between Y/W wire (B) and terminal 20.
- 9) Also, check the continuity between R wire (A) and terminal 11.

**DATA** STPS lead wire continuity: Continuity (•••)

**TOOL** 09900-25008: Multi-circuit tester set  
09900-25009: Needle pointed probe set

**Tester knob indication: Continuity test (•••)**



**CAUTION**

**When using the multi-circuit tester, do not strongly touch the terminal of the ECM coupler with a needle pointed tester probe to prevent the terminal damage or terminal bend.**

Is the continuity OK?

YES	Go to Step 1 (☞ 4-70) and go to Step 2.
NO	R or Y/W wire open, or Y/W wire shorted to ground

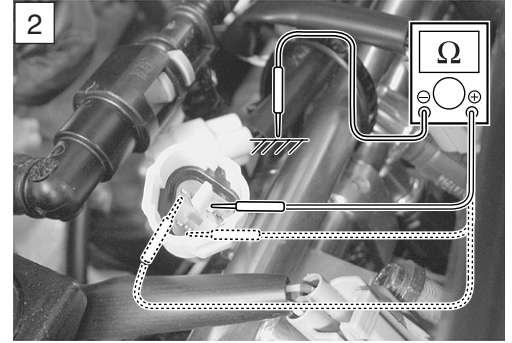
- 10) After repairing the trouble, clear the DTC using SDS tool. (☞ 4-27)



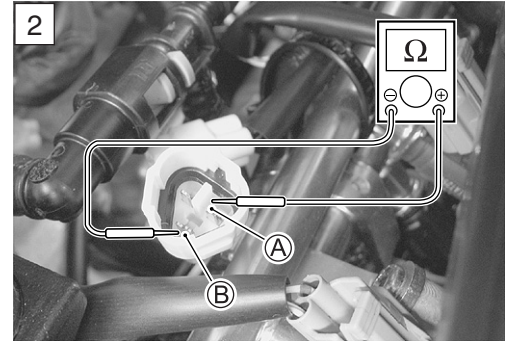
**Step 2**

- 1) Turn the ignition switch OFF.
- 2) Lift and support the fuel tank. (☞ 5-3)
- 3) Disconnect the STP sensor coupler.
- 4) Check the continuity between each terminal and ground.

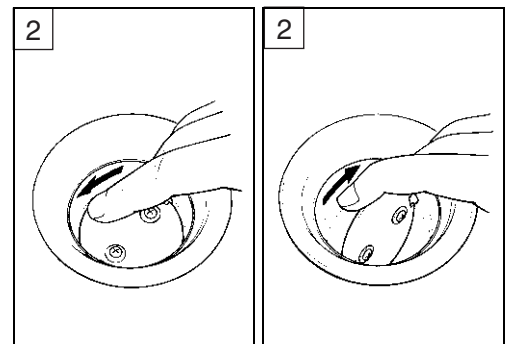
**DATA** STP sensor continuity:  $\infty \Omega$  (Infinity)  
(Terminal – Ground)



- 5) If OK, then measure the STP sensor resistance at the wire terminals (between Y wire (A) and B wire (B)).
- 6) Close and open the secondary throttle valve by finger, and measure the valve closing and opening resistance.

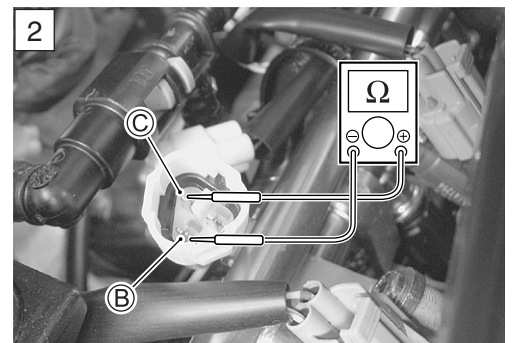


**DATA** STP sensor resistance  
 Secondary throttle valve is closed: Approx. 0.5 k $\Omega$   
 Secondary throttle valve is opened: Approx. 3.9 k $\Omega$   
 (Y (A) – B (B))



- 7) If OK, then measure the STP sensor resistance at the wire terminals (between BI wire (C) and B wire (B)).

**DATA** STP sensor resistance: Approx. 4.69 k $\Omega$   
(BI (C) – B (B))



**TOOL** 09900-25008: Multi-circuit tester set

**Tester knob indication: Resistance ( $\Omega$ )**

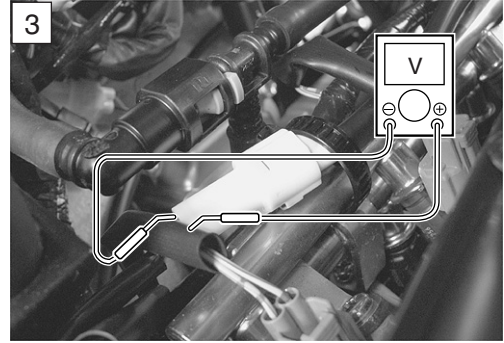
Are the continuity and resistance OK?

YES	Go to Step 3.
NO	<ul style="list-style-type: none"> <li>• Reset the STP sensor position correctly.</li> <li>• Replace the STP sensor with a new one.</li> </ul>

- 8) After repairing the trouble, clear the DTC using SDS tool. (☞ 4-27)

**Step 3**

- 1) Turn the ignition switch OFF.
- 2) Connect the STP sensor coupler.
- 3) Insert the needle pointed probes to the STP sensor coupler.
- 4) Disconnect the STVA lead wire coupler.
- 5) Turn the ignition switch ON.
- 6) Measure the STP sensor output voltage at the coupler (between ⊕ Y wire and ⊖ B wire) by turning the secondary throttle valve (close and open) with a finger.



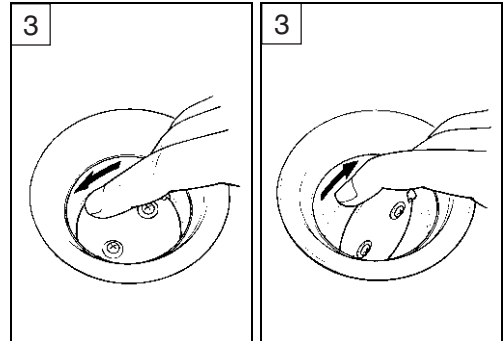
**DATA** STP sensor output voltage

Secondary throttle valve is closed : Approx. 0.5 V

Secondary throttle valve is opened : Approx. 3.9 V

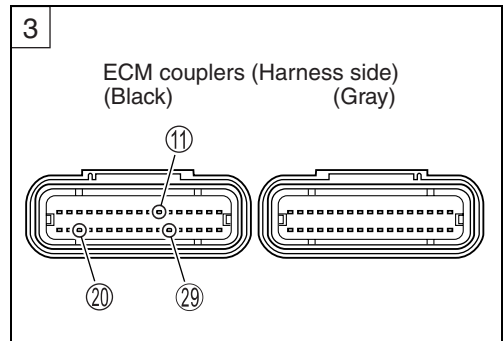
- TOOL** 09900-25008: Multi-circuit tester set  
 09900-25009: Needle pointed probe set

**Tester knob indication: Voltage (V)**



Is the voltage OK?

YES	<ul style="list-style-type: none"> <li>• R, Y/W or B/Br wire open or shorted to ground, or poor ⑪, ⑳ or ㉑ connection</li> <li>• If wire and connection are OK, intermittent trouble or faulty ECM.</li> <li>• Recheck each terminal and wire harness for open circuit and poor connection.</li> <li>• Replace the ECM with a known good one, and inspect it again.</li> </ul>
NO	If check result is not satisfactory, replace STP sensor with a new one.



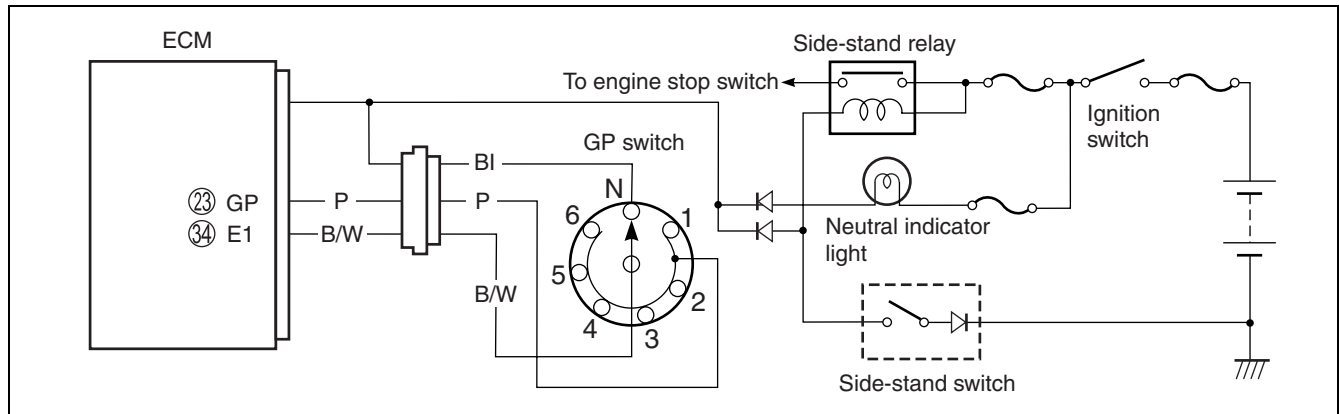
**CAUTION**

**When using the multi-circuit tester, do not strongly touch the terminal of the ECM coupler with a needle pointed tester probe to prevent the terminal damage or terminal bend.**

After repairing the trouble, clear the DTC using SDS tool.  
 (☞ 4-27)

## “C31” (P0705) GP SWITCH CIRCUIT MALFUNCTION

DETECTED CONDITION	POSSIBLE CAUSE
No Gear Position switch voltage Switch voltage is not within the following range. Switch voltage > 0.6 V	<ul style="list-style-type: none"> <li>• Gear Position switch circuit open or short</li> <li>• Gear Position switch malfunction</li> <li>• ECM malfunction</li> </ul>



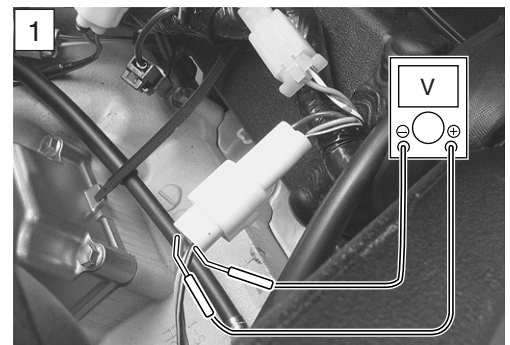
### INSPECTION

#### Step 1

- 1) Turn the ignition switch OFF.
- 2) Lift and support the fuel tank. (→ 5-3)
- 3) Check the GP switch coupler for loose or poor contacts.  
If OK, then measure the GP switch voltage.



- 4) Support the motorcycle with a jack.
- 5) Fold the side-stand to up position.
- 6) Make sure the engine stop switch is in the “RUN” position.
- 7) Insert the needle pointed probe to the lead wire coupler.
- 8) Turn the ignition switch ON.
- 9) Measure the voltage at the wire side coupler between P wire and B/W wire, when shifting the gearshift lever from 1st to Top.



**DATA** GP switch voltage: 0.6 V and more  
(+ P – B/W)

**TOOL** 09900-25008: Multi-circuit tester set  
09900-25009: Needle pointed probe set

**TESTER** Tester knob indication: Voltage (---)

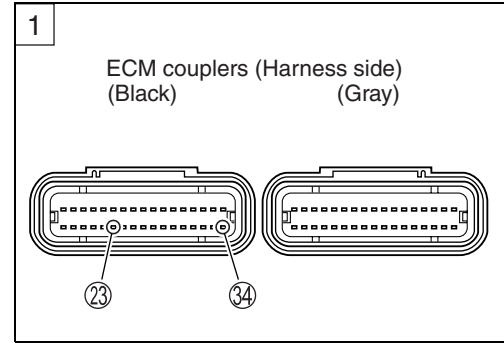
Is the voltage OK?

YES	<ul style="list-style-type: none"> <li>• P wire open or shorted to ground</li> <li>• If wire and connection are OK, intermittent trouble or faulty ECM.</li> <li>• Recheck each terminal and wire harness for open circuit and poor connection.</li> <li>• Replace the ECM with a known good one, and inspect it again.</li> </ul>
NO	<ul style="list-style-type: none"> <li>• P or B/W wire open, or P wire shorted to ground</li> <li>• Loose or poor contacts on the ECM coupler (terminal ②③ or ③④)</li> <li>• If wire and connection are OK, replace the GP switch with a new one.</li> </ul>

**CAUTION**

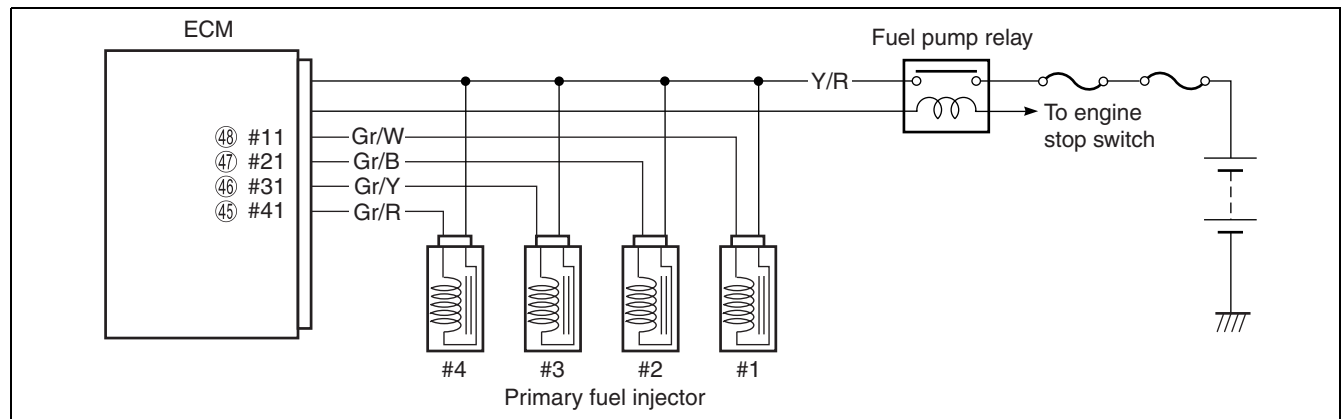
**When using the multi-circuit tester, do not strongly touch the terminal of the ECM coupler with a needle pointed tester probe to prevent the terminal damage or terminal bend.**

10) After repairing the trouble, clear the DTC using SDS tool.  
 (➡ 4-27)



## “C32” (P0201), “C33” (P0202), “C34” (P0203) or “C35” (P0204) PRIMARY FUEL INJECTOR CIRCUIT MALFUNCTION

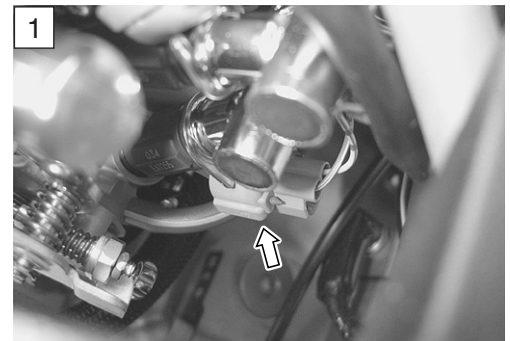
DETECTED CONDITION	POSSIBLE CAUSE
CKP signal is produced but fuel injector signal is interrupted by 4 times or more continuously.	<ul style="list-style-type: none"> <li>• Injector circuit open or short</li> <li>• Injector malfunction</li> <li>• ECM malfunction</li> </ul>



### INSPECTION

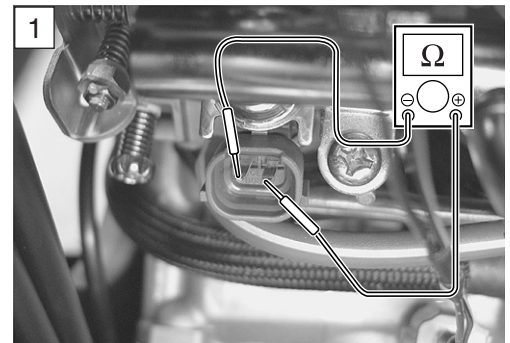
#### Step 1

- 1) Turn the ignition switch OFF.
- 2) Lift and support the fuel tank (☞ 5-3)
- 3) Check the injector coupler for loose or poor contacts.  
If OK, then measure the injector resistance.



- 4) Disconnect the injector coupler and measure the resistance between terminals.

**DATA** Injector resistance: 11 – 13  $\Omega$  at 20 °C (68 °F)  
(Terminal – Terminal)



5) If OK, then check the continuity between each terminal and ground.

**DATA** Injector continuity:  $\infty \Omega$  (Infinity)

**TOOL** 09900-25008: Multi-circuit tester set

**Tester knob indication: Resistance ( $\Omega$ )**

Are the resistance and continuity OK?

YES	Go to Step 2.
NO	Replace the injector with a new one. (↗ 5-23)

6) After repairing the trouble, clear the DTC using SDS tool.  
(↗ 4-27)

### Step 2

- 1) Turn the ignition switch ON.
- 2) Measure the injector voltage between Y/R wire and ground.

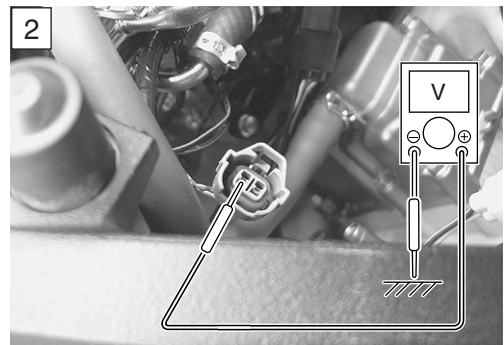
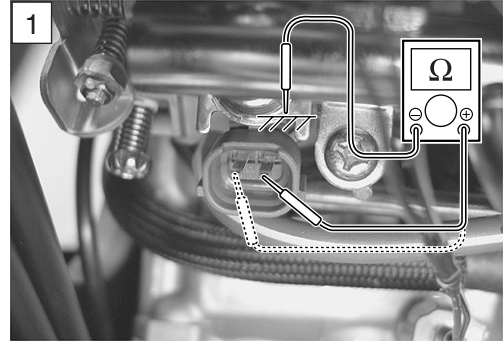
**DATA** Injector voltage: **Battery voltage**  
(+ Y/R – – Ground)

#### NOTE:

Injector voltage can be detected only 3 for seconds after ignition switch is turned ON.

**TOOL** 09900-25008: Multi-circuit tester set

**Tester knob indication: Voltage (V)**



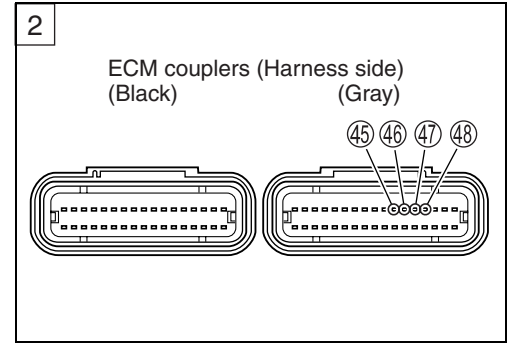


Is the voltage OK?

YES	<ul style="list-style-type: none"> <li>• Gr/W wire open or shorted to ground, or poor ④⑧ connection (#1 cylinder side)</li> <li>• Gr/B wire open or shorted to ground, or poor ④⑦ connection (#2 cylinder side)</li> <li>• Gr/Y wire open or shorted to ground, or poor ④⑥ connection (#3 cylinder side)</li> <li>• Gr/R wire open or shorted to ground, or poor ④⑤ connection (#4 cylinder side)</li> <li>• If wire and connection are OK, intermittent trouble or faulty ECM.</li> <li>• Recheck each terminal and wire harness for open circuit and poor connection.</li> <li>• Replace the ECM with a known good one, and inspect it again.</li> </ul>
NO	Open circuit in the Y/R wire

**CAUTION**

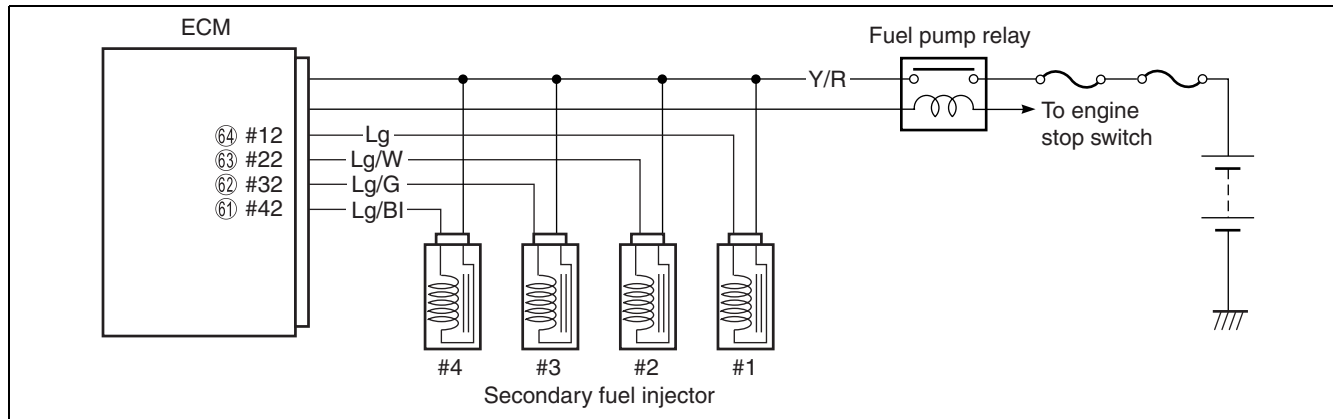
**When using the multi-circuit tester, do not strongly touch the terminal of the ECM coupler with a needle pointed tester probe to prevent the terminal damage or terminal bend.**



3) After repairing the trouble, clear the DTC using SDS tool.  
(☞ 4-27)

## “C36” (P1764), “C37” (P1765), “C38” (P1766) or “C39” (P1767) SECONDARY FUEL INJECTOR CIRCUIT MALFUNCTION

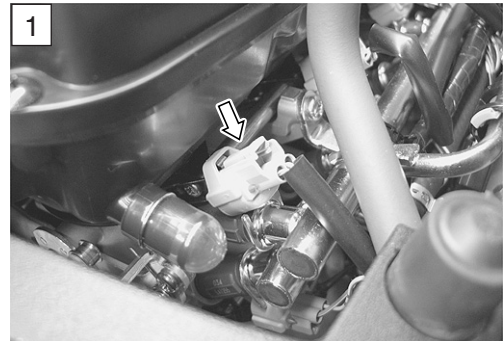
DETECTED CONDITION	POSSIBLE CAUSE
Some failure exists in the fuel injector signal in a high load, high revolution condition.	<ul style="list-style-type: none"> <li>• Injector circuit open or short</li> <li>• Injector malfunction</li> <li>• ECM malfunction</li> </ul>



### INSPECTION

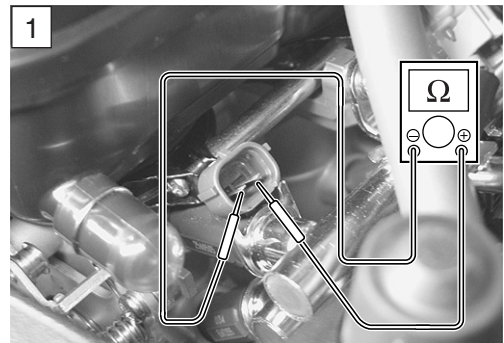
#### Step 1

- 1) Turn the ignition switch OFF.
- 2) Lift and support the fuel tank. (➡ 5-3)
- 3) Check the injector coupler for loose or poor contacts.  
If OK, then measure the injector resistance.



- 4) Disconnect the injector coupler and measure the resistance between terminals.

**DATA** Injector resistance: 11 – 13 Ω at 20 °C (68 °F)  
(Terminal – Terminal)



5) If OK, then check the continuity between each terminal and ground.

**DATA** Injector continuity:  $\infty \Omega$  (Infinity)

**TOOL** 09900-25008: Multi-circuit tester set

**Tester knob indication: Resistance ( $\Omega$ )**

Are the resistance and continuity OK?

YES	Go to Step 2.
NO	Replace the injector with a new one. (↗ 5-23)

6) After repairing the trouble, clear the DTC using SDS tool.  
(↗ 4-27)

**Step 2**

- 1) Turn the ignition switch ON.
- 2) Measure the injector voltage between Y/R wire and ground.

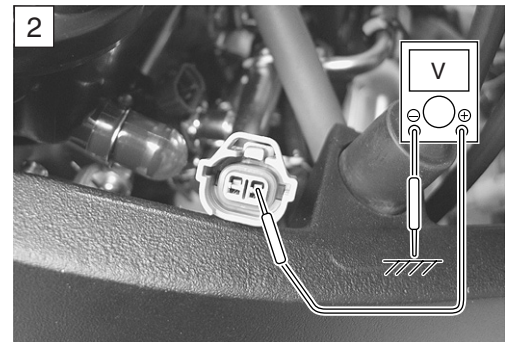
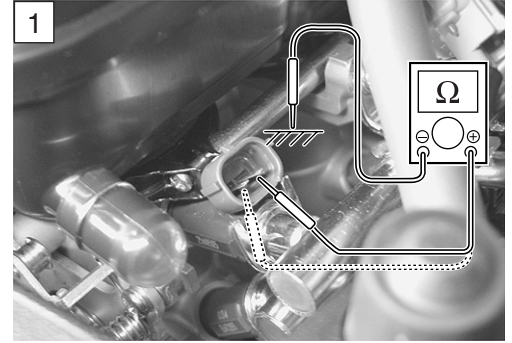
**DATA** Injector voltage: Battery voltage  
(+ Y/R – – Ground)

**NOTE:**

*Injector voltage can be detected only 3 seconds after ignition switch is turned ON.*

**TOOL** 09900-25008: Multi-circuit tester set

**Tester knob indication: Voltage (V)**



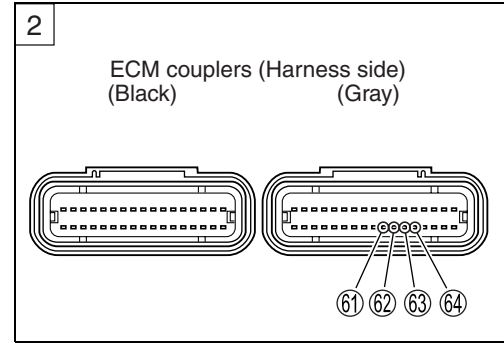
Is the voltage OK?

YES	<ul style="list-style-type: none"> <li>• Lg wire open or shorted to ground, or poor ⑥④ connection (#1 cylinder side)</li> <li>• Lg/W wire open or shorted to ground, or poor ⑥③ connection (#2 cylinder side)</li> <li>• Lg/G wire open or shorted to ground, or poor ⑥② connection (#3 cylinder side)</li> <li>• Lg/Bl wire open or shorted to ground, or poor ⑥① connection (#4 cylinder side)</li> <li>• If wire and connection are OK, intermittent trouble or faulty ECM.</li> <li>• Recheck each terminal and wire harness for open circuit and poor connection.</li> <li>• Replace the ECM with a known good one, and inspect it again.</li> </ul>
NO	Open circuit in the Y/R wire.

**CAUTION**

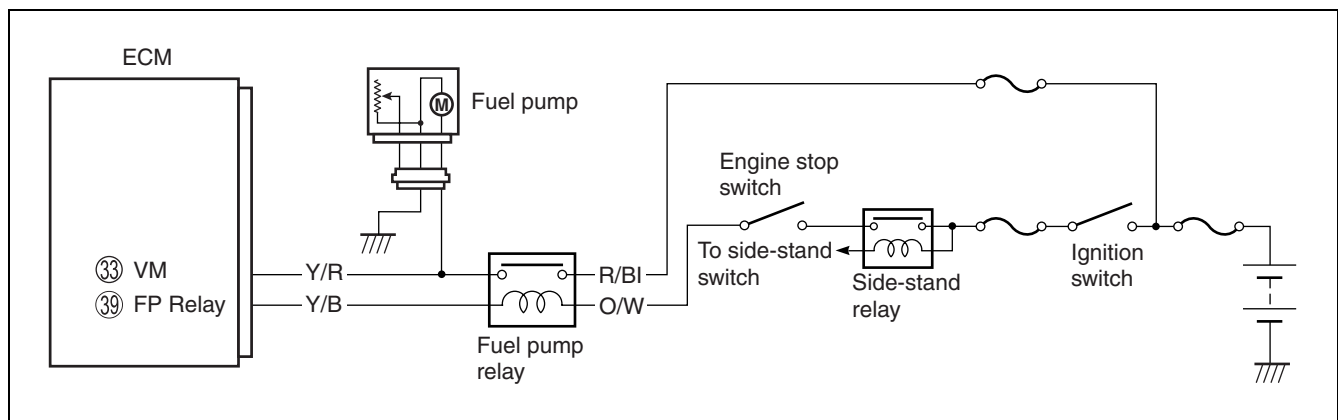
**When using the multi-circuit tester, do not strongly touch the terminal of the ECM coupler with a needle pointed tester probe to prevent the terminal damage or terminal bend.**

3) After repairing the trouble, clear the DTC using SDS tool.  
 (☞ 4-27)



## “C41” (P0230-H/L) FP RELAY CIRCUIT MALFUNCTION

DETECTED CONDITION		POSSIBLE CAUSE
C41	No voltage is applied to fuel pump although fuel pump relay is turned ON, or voltage is applied to fuel pump, although fuel pump relay is turned OFF.	<ul style="list-style-type: none"> <li>Fuel pump relay circuit open or short</li> <li>Fuel pump relay malfunction</li> <li>ECM malfunction</li> </ul>
P0230	H	<ul style="list-style-type: none"> <li>Fuel pump relay switch circuit shorted to power source</li> <li>Faulty fuel pump relay (switch side)</li> </ul>
	L	



### INSPECTION

#### Step 1 (When indicating C41:)

- 1) Turn the ignition switch OFF.
- 2) Lift and support the fuel tank. (➡ 5-3)
- 3) Check the FP relay coupler for loose or poor contacts.  
If OK, then check the FP relay. (➡ 5-7)



Is the FP relay OK?

YES	<ul style="list-style-type: none"> <li>• Y/B or O/W wire open or short or poor ③⑨ connection</li> <li>• Y/R or R/BI wire open, shorted or poor ③③ connection</li> <li>• If wire and connection are OK, intermittent trouble or faulty ECM.</li> <li>• Recheck each terminal and wire harness for open circuit and poor connection.</li> <li>• Replace the ECM with a known good one, and inspect it again.</li> </ul>
NO	Replace the FP relay with a new one.

**CAUTION**

**When using the multi-circuit tester, do not strongly touch the terminal of the ECM coupler with a needle pointed tester probe to prevent the terminal damage or terminal bend.**

4) After repairing the trouble, clear the DTC using SDS tool. (☞ 4-27)

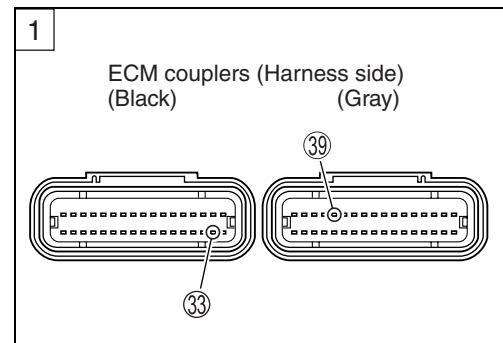
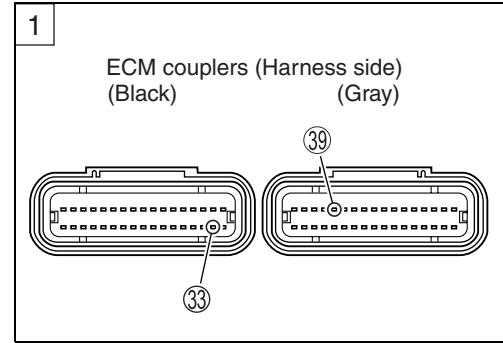
**Step 1 (When indicating P0230-H:)**

- 1) Turn the ignition switch OFF.
- 2) Lift and support the fuel tank. (☞ 5-3)
- 3) Check the FP relay coupler for loose or poor contacts.  
If OK, then check the FP relay. (☞ 5-7)

Is the FP relay OK?

YES	<ul style="list-style-type: none"> <li>• Y/R wire shorted to power source</li> <li>• Y/B wire shorted to ground</li> <li>• If wire and connection are OK, intermittent trouble or faulty ECM.</li> <li>• Recheck each terminal and wire harness for open circuit and poor connection.</li> <li>• Replace the ECM with a known good one, and inspect it again.</li> </ul>
NO	Replace the FP relay with a new one.

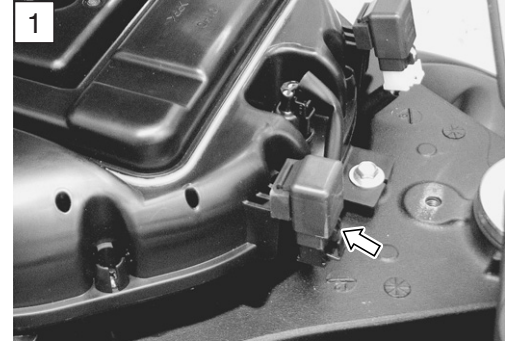
4) After repairing the trouble, clear the DTC using SDS tool. (☞ 4-27)





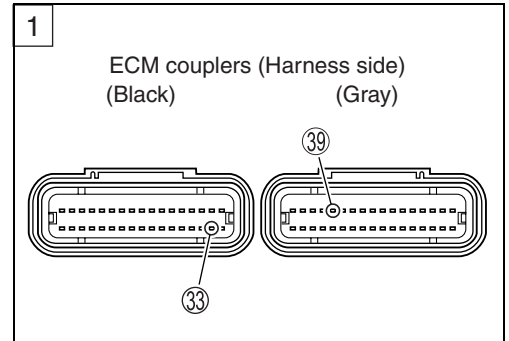
**Step 1 (When indicating P0230-L:)**

- 1) Turn the ignition switch OFF.
- 2) Lift and support the fuel tank. (👉 5-3)
- 3) Check the FP relay coupler for loose or poor contacts.  
If OK, then check the FP relay. (👉 5-7)



Is the FP relay OK?

YES	<ul style="list-style-type: none"> <li>• Y/B wire open or poor ③⑨ connection</li> <li>• O/W wire open or shorted to ground</li> <li>• R/Bl or Y/R wire open or shorted to ground or poor ③③ connection</li> <li>• If wire and connection are OK, intermittent trouble or faulty ECM.</li> <li>• Recheck each terminal and wire harness for open circuit and poor connection.</li> <li>• Replace the ECM with a known good one, and inspect it again.</li> </ul>
NO	Replace the FP relay with a new one.



- 4) After repairing the trouble, clear the DTC using SDS tool. (👉 4-27)

**“C42” (P01650) IG SWITCH CIRCUIT MALFUNCTION**

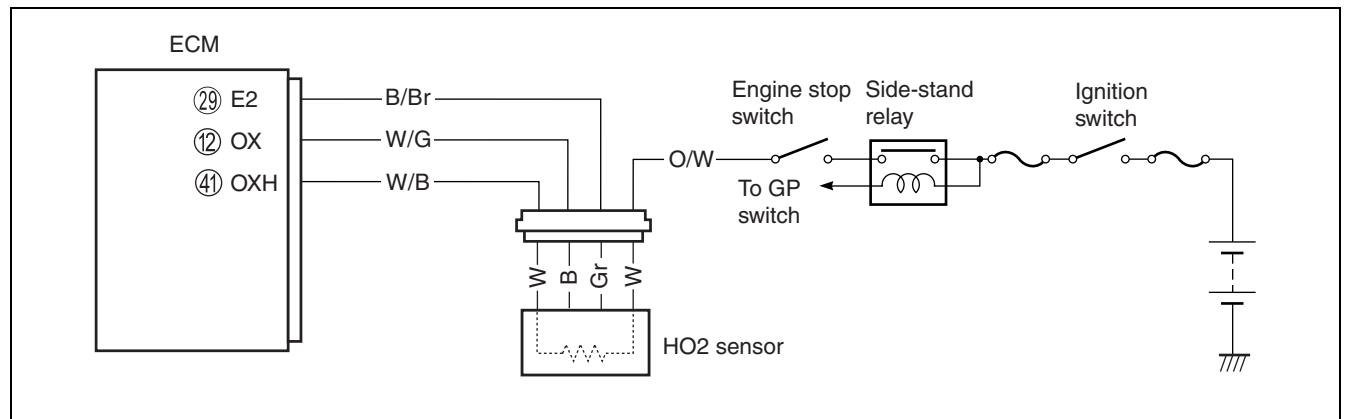
<b>DETECTED CONDITION</b>	<b>POSSIBLE CAUSE</b>
Ignition switch signal is not input to the ECM.	<ul style="list-style-type: none"><li>• Ignition system circuit open or short</li><li>• ECM malfunction</li></ul>
When the ID agreement is not verified. ECM does not receive communication signal from the immobilizer antenna. (For E-02, 19, 24)	<ul style="list-style-type: none"><li>• Immobilizer system malfunction (For E-02, 19, 24)</li></ul>

**INSPECTION**

\* Refer to the **IGNITION SWITCH INSPECTION** for details. (☞ 9-39)

## “C44” (P0130/P0135) HO2 SENSOR (HO2S) CIRCUIT MALFUNCTION (For E-02, 19)

DETECTED CONDITION		POSSIBLE CAUSE
C44 (P0130)	HO2 sensor output voltage is not input to ECM during engine operation and running condition. (Sensor voltage < 0.55 V)	<ul style="list-style-type: none"> <li>HO2 sensor circuit open or shorted to ground.</li> <li>Fuel system malfunction.</li> <li>ECM malfunction.</li> </ul>
C44 (P0135)	The heater can not operate so that heater operation voltage is not supplied to the oxygen heater circuit.	<ul style="list-style-type: none"> <li>Battery voltage supply to the HO2 sensor.</li> </ul>



### INSPECTION

#### Step 1 (When indicating C44/P0130:)

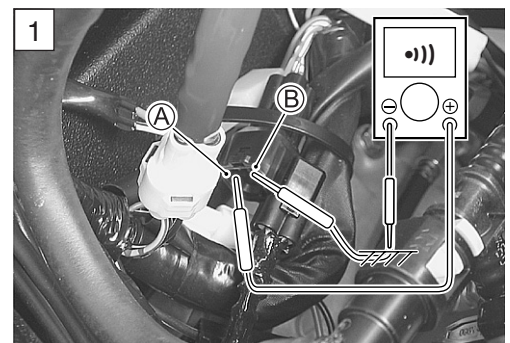
- Turn the ignition switch OFF.
- Lift and support the fuel tank. (☞ 5-3)
- Check the HO2 sensor for loose or poor contacts.  
If OK, then check the HO2 sensor lead wire continuity.



- Disconnect the HO2 sensor coupler
- Check the continuity between W/G wire (A) and ground.
- Also, check the continuity between W/G wire (A) and B/Br wire (B). If the sound is not heard from the tester, the circuit condition is OK.

**TOOL** 09900-25008: Multi-circuit tester set

**Tester knob indication: Continuity test (•••••)**



- 7) Disconnect the ECM coupler.
- 8) Check the continuity between W/G wire (A) and terminal (12).
- 9) Also, check the continuity between B/Br wire (B) and terminal (29).

**DATA** HO2S lead wire continuity: Continuity (•••)

**TOOL** 09900-25008: Multi-circuit tester set  
09900-25009: Needle pointed probe set

**Tester knob indication: Continuity test (•••)**

**CAUTION**

When using the multi-circuit tester, do not strongly touch the terminal of the ECM coupler with a needle pointed tester probe to prevent the terminal damage or terminal bend.

Is the continuity OK?

YES	Go to Step 2. (When indicating C44/P0130:)
NO	W/G wire shorted to ground, or W/G or B/Br wire open.

- 10) After repairing the trouble, clear the DTC using SDS tool.  
(☞ 4-27)

**Step 2 (When indicating C44/P0130:)**

- 1) Connect the ECM couplers and HO2 sensor coupler.
- 2) Warm up the engine enough.
- 3) Measure the HO2 sensor output voltage between W/G wire and B/Br wire, when idling condition.

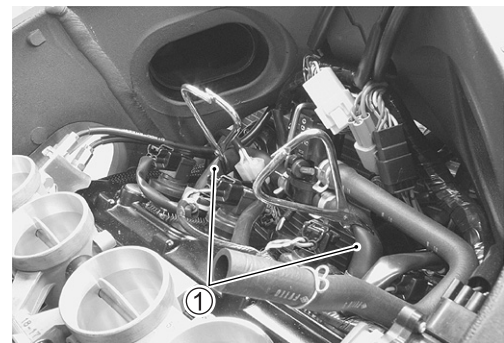
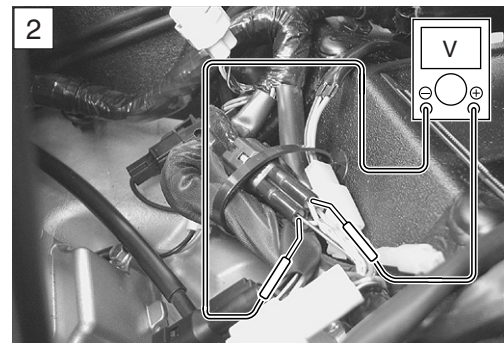
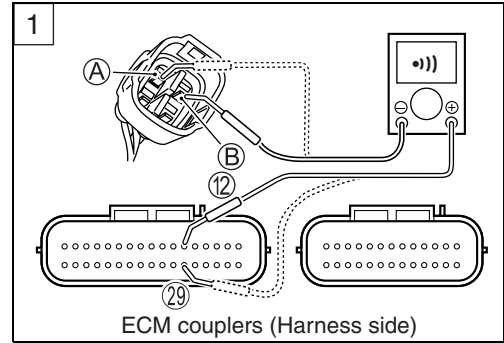
**DATA** HO2 sensor output voltage at idle speed:  
0.4 V and less (+ W/G – – B/Br)

- 4) If OK, then remove the air cleaner box (☞ 5-14) and pinch the PAIR hoses (1) with proper hose clamps.
- 5) Measure the HO2 sensor output voltage while holding the engine speed at 5 000 r/min.

**DATA** HO2 sensor output voltage at 5 000 r/min:  
0.6 V and more (+ W/G – – B/Br)

**TOOL** 09900-25008: Multi-circuit tester set  
09900-25009: Needle pointed probe set

**Tester knob indication: Voltage (---)**

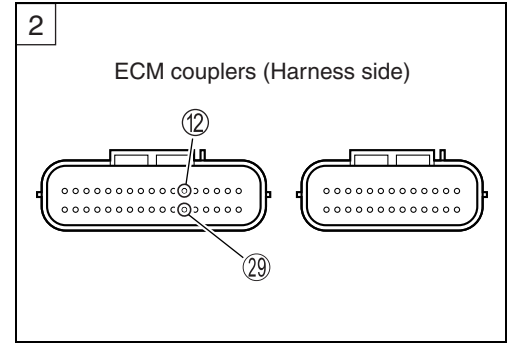


Is the voltage OK?

YES	<ul style="list-style-type: none"> <li>• W/G wire or B/Br wire open or shorted to ground, or poor ⑫ or ⑳ connection.</li> <li>• If wire and connection are OK, intermittent trouble or faulty ECM.</li> <li>• Recheck each terminal and wire harness for open circuit and poor connection.</li> <li>• Replace the ECM with a known good one, and inspect it again.</li> </ul>
NO	Replace the HO2 sensor with a new one.

**CAUTION**

**When using the multi-circuit tester, do not strongly touch the terminal of the ECM coupler with a needle pointed tester probe to prevent the terminal damage or terminal bend.**



6) After repairing the trouble, clear the DTC using SDS tool. (☞ 4-27)

**Step 1 (When indicating C44/P0135:)**

- 1) Turn the ignition switch OFF.
- 2) Lift and support the fuel tank. (☞ 5-3)
- 3) Check the HO2 sensor for loose or poor contacts. If OK, then measure the HO2 sensor resistance.



4) Disconnect the HO2 sensor coupler and measure the resistance between terminals.

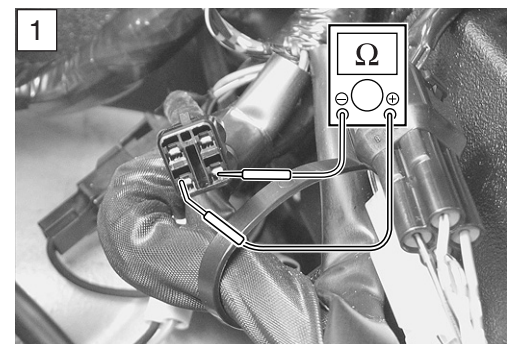
**DATA** HO2 heater resistance: 4.0 – 5.0 Ω at 23 °C (W – W)

**NOTE:**

- \* Temperature of the sensor affects resistance value largely.
- \* Make sure that the sensor heater is at correct temperature.

**TOOL** 09900-25008: Multi-circuit tester set

**Tester knob indication: Resistance (Ω)**



Is the voltage OK?

YES	Go to Step 2.
NO	Replace the HO2 sensor with a new one.

5) After repairing the trouble, clear the DTC using SDS tool. (☞ 4-27)

**Step 2 (When indicating C44/P0135:)**

- 1) Connect the HO2 sensor coupler.
- 2) Insert the needle pointed probe to the HO2 sensor coupler.
- 3) Turn the ignition switch ON and measure the heater voltage between W (O/W) wire and ground.
- 4) If the tester voltage indicates the battery voltage, it is good condition.

**DATA** Heater voltage: Battery voltage  
(⊕ W – ⊖ Ground)

**NOTE:**

Battery voltage can be detected only before starting the engine.

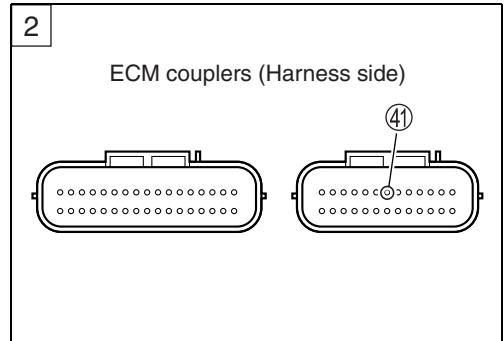
**TOOL** 09900-25008: Multi-circuit tester set  
09900-25009: Needle pointed probe set

**Tester knob indication: Voltage (---)**



Is the voltage OK?

YES	<ul style="list-style-type: none"> <li>• O/W or W wire open or shorted to ground, or poor ④1 connection.</li> <li>• Recheck each terminal and wire harness for open circuit and poor connection.</li> <li>• If wire and connection are OK, intermittent trouble or faulty ECM.</li> <li>• Replace the ECM with a known good one, and inspect it again.</li> </ul>
NO	<ul style="list-style-type: none"> <li>• Open or short circuit in the W/B wire or O/W wire.</li> <li>• Loose or poor contacts on the ECM coupler (Terminal ④1) or HO2 sensor coupler.</li> </ul>



**CAUTION**

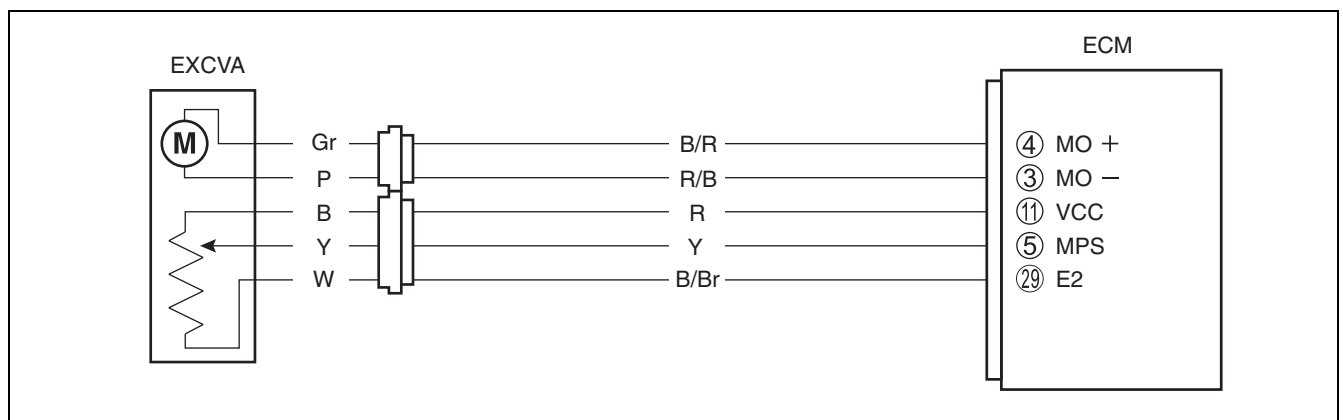
**When using the multi-circuit tester, do not strongly touch the terminal of the ECM coupler with a needle pointed tester probe to prevent the terminal damage or terminal bend.**

- 5) After repairing the trouble, clear the DTC using SDS tool.  
(☞ 4-27)



## “C46” (P1657-H/L or P1658) EXCV ACTUATOR CIRCUIT MALFUNCTION

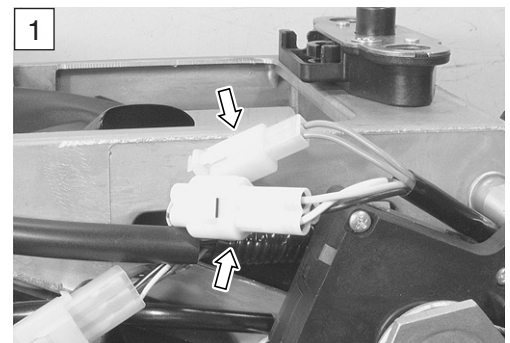
DETECTED CONDITION		POSSIBLE CAUSE
C46	The operation signal does not reach the EXCV actuator. EXCVA position sensor voltage low or high $0.1\text{ V} \leq \text{Sensor voltage} < 4.9\text{ V}$ (without the above range)	<ul style="list-style-type: none"> <li>EXCVA maladjusted</li> <li>EXCVA circuit open or short</li> <li>EXCVA motor malfunction</li> <li>EXCVA position sensor malfunction</li> </ul>
P1657	H Sensor voltage is higher than specified value.	<ul style="list-style-type: none"> <li>EXCVA position sensor circuit shorted to VCC or ground circuit open</li> <li>EXCVA position sensor circuit open or shorted to ground or VCC circuit open</li> </ul>
	L Sensor voltage is lower than specified value.	
P1658	The operation signal does not reach the EXCVA motor. ECM does not receive communication signal from the STVA motor.	<ul style="list-style-type: none"> <li>EXCVA motor circuit open or short</li> <li>EXCVA motor malfunction</li> </ul>



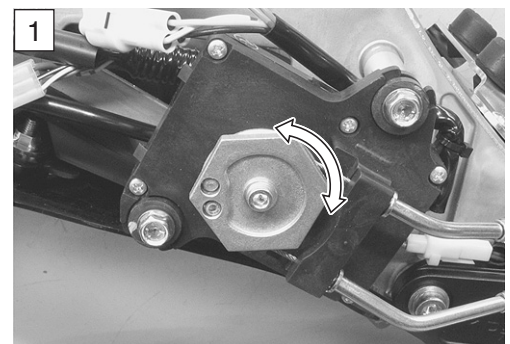
### INSPECTION

#### Step 1 (When indicating C46:)

- 1) Turn the ignition switch OFF.
- 2) Remove the frame cover. (➡ 5-8)
- 3) Check the EXCVA lead wire couplers for loose or poor contacts.



- 4) Turn the ignition switch ON.
- 5) Check the operation of the EXCVA.  
(EXCVA operating order: Full close → Full open → 30% open)

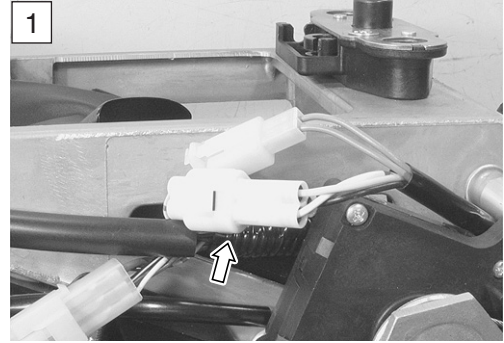


Is the operation OK?

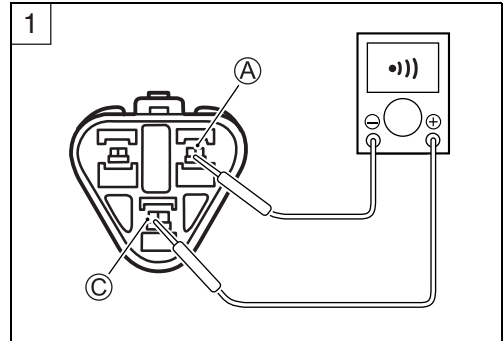
YES	Go to Step 2.
NO	Go to Step 6.

**Step 1 (When indicating P1657-H:)**

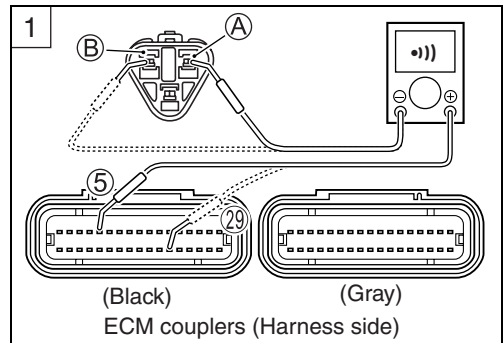
- 1) Turn the ignition switch OFF.
- 2) Remove the frame cover. (🔧 5-8)
- 3) Check the EXCVA position sensor coupler for loose or poor contacts.  
If OK, then check the EXCVA position sensor lead wire continuity.



- 4) Disconnect the EXCVA position sensor coupler.
- 5) Check the continuity between R wire (C) and Y wire (A).  
If the sound is not heard from the tester, the circuit condition is OK.



- 6) Disconnect the ECM coupler.
- 7) Check the continuity between Y wire (A) and terminal (5).
- 8) Also, check the continuity between B/Br wire (B) and terminal (29).



**DATA** EXCVA lead wire continuity: Continuity (••))

**TOOL** 09900-25008: Multi-circuit tester set  
09900-25009: Needle pointed probe set

**Tester knob indication: Continuity test (••))**

**CAUTION**

When using the multi-circuit tester, do not strongly touch the terminal of the ECM coupler with a needle pointed tester probe to prevent the terminal damage or terminal bend.

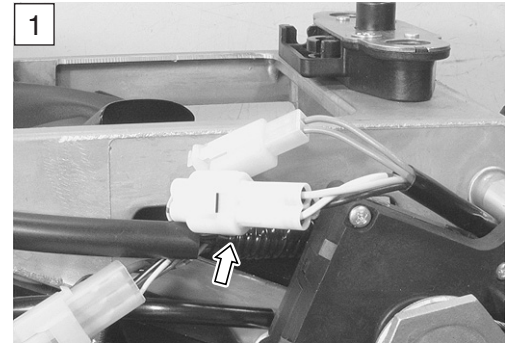
Is the continuity OK?

YES	Go to Step 4.
NO	Y wire shorted to VCC, or B/Br wire open

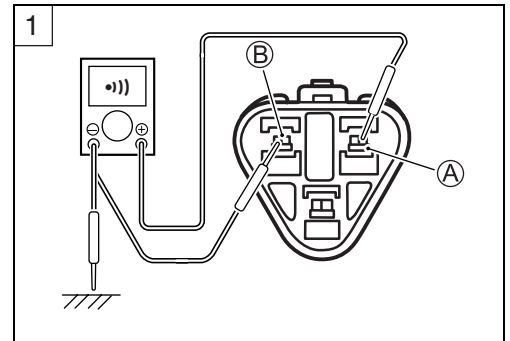
- 9) After repairing the trouble, clear the DTC using SDS tool. (🔧 4-27)

**Step 1 (When indicating P1657-L:)**

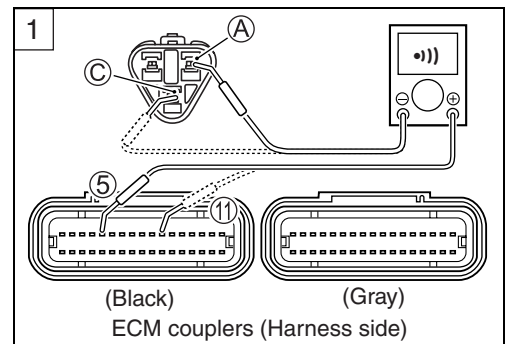
- 1) Turn the ignition switch OFF.
- 2) Remove the frame cover. (☞ 5-8)
- 3) Check the EXCVA position sensor coupler for loose or poor contacts.  
If OK, then check the EXCVA position sensor lead wire continuity.



- 4) Disconnect the EXCVA position sensor coupler.
- 5) Check the continuity between Y wire (A) and ground.
- 6) Also, check the continuity between Y wire (A) and B/Br wire (B). If the sound is not heard from the tester, the circuit condition is OK.



- 7) Disconnect the ECM coupler.
- 8) Check the continuity between Y wire (A) and terminal (5).
- 9) Also, check the continuity between R wire (C) and terminal (11).



**DATA** EXCVA lead wire continuity: Continuity (•••)

**TOOL** 09900-25008: Multi-circuit tester set  
09900-25009: Needle pointed probe set

**Tester knob indication: Continuity test (•••)**

**CAUTION**

**When using the multi-circuit tester, do not strongly touch the terminal of the ECM coupler with a needle pointed tester probe to prevent the terminal damage or terminal bend.**

Is the continuity OK?

YES	Go to Step 2 and Go to Step 4.
NO	R or Y wire open, or Y wire shorted to ground

- 10) After repairing the trouble, clear the DTC using SDS tool. (☞ 4-27)

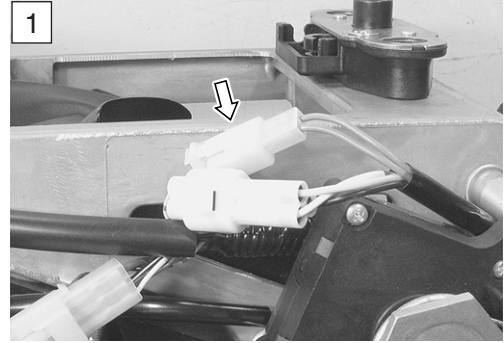
**Step 1 (When indicating P1658:)**

- 1) Turn the ignition switch OFF.
- 2) Remove the frame cover. (☞ 5-8)
- 3) Check the EXCVA motor coupler for loose or poor contacts.

Is the contacting OK?

YES	Go to Step 6.
NO	Loose or poor contacts on the EXCV motor coupler

- 4) After repairing the trouble, clear the DTC using SDS tool. (☞ 4-27)



**Step 2**

- 1) Turn the ignition switch OFF.
- 2) Check the installation of EXCV cables. (☞ 6-7)  
If it is necessary, adjust the EXCV cables. (☞ 6-7)



- 3) Disconnect the EXCVA position sensor lead wire coupler.
- 4) Turn the ignition switch ON.
- 5) Measure the voltage between the R wire terminal ① and ground.
- 6) If OK, then measure the voltage between the R wire terminal ① and B/Br wire terminal ②.

**DATA** Position sensor input voltage: 4.5 – 5.5 V  
 (+ R – ⊖ Ground)  
 (+ R – ⊖ B/Br)

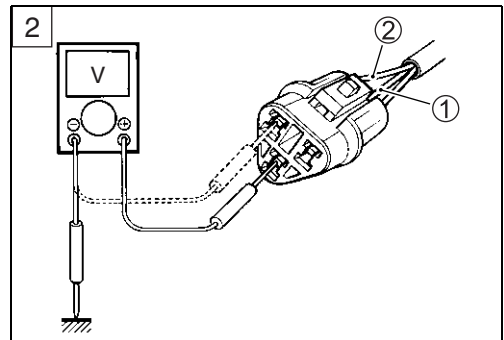
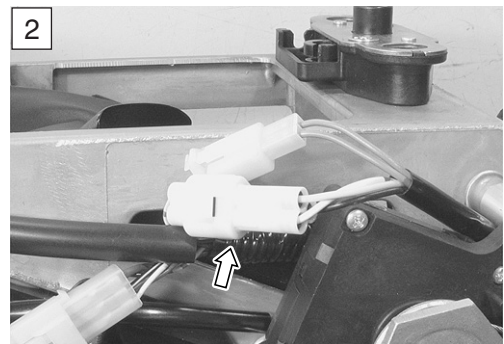
**TOOL** 09900-25008: Multi circuit tester set

**Tester knob indication: Voltage (V)**

Is the voltage OK?

YES	Go to Step 3.
NO	<ul style="list-style-type: none"> <li>• Loose or poor contacts on the ECM coupler (terminal ①① or ②⑨)</li> <li>• Open or short circuit in the R wire or B/Br wire</li> </ul>

- 7) After repairing the trouble, clear the DTC using SDS tool. (☞ 4-27)



**Step 3**

- 1) Turn the ignition switch OFF.
- 2) Check the continuity between Y wire and ground.

**DATA** Position sensor continuity:  $\infty \Omega$  (Infinity)

- 3) If OK, then measure the position sensor resistance.

- 4) Connect the position sensor coupler.
- 5) Set the EXCVA to adjustment position. (↔ 6-4)

- 6) Disconnect the position sensor coupler and measure the resistance. (between Y and W wires)

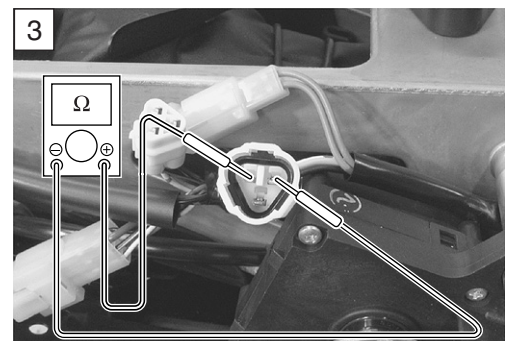
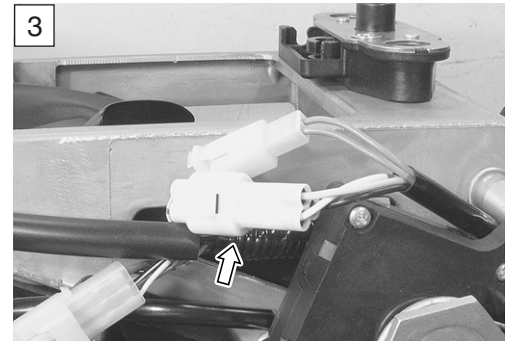
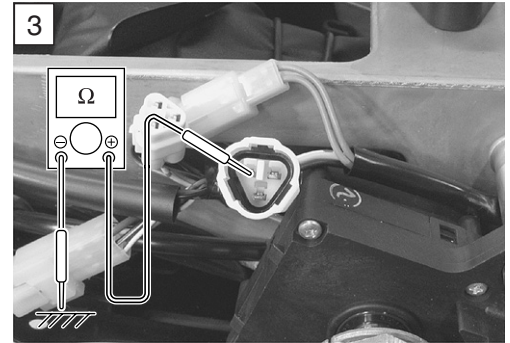
**DATA** Position sensor resistance at adjustment position:  
Approx. 3.1 k $\Omega$  (+ Y – - W)

**TOOL** 09900-25008: Multi circuit tester set

**Tester knob indication: Resistance ( $\Omega$ )**

Is the resistance OK?

YES	Go to Step 4.
NO	Replace the EXCVA with a new one.





**Step 4**

- 1) Turn the ignition switch OFF.
- 2) Connect the position sensor coupler.
- 3) Measure the position sensor output voltage at fully close position and fully open position.
- 4) Insert the needle pointed probes to the back side of the position sensor lead wire coupler. (+ Y – - B/Br)
- 5) Disconnect the EXCVA motor lead wire coupler ②.
- 6) To set the EXCV to fully close position, apply 12 V to ① and ② terminals.  
Positive wire – ① (P wire) terminal  
Negative wire – ② (Gr wire) terminal
- 7) Turn the ignition switch ON.
- 8) Measure the position sensor output voltage at fully close position.
- 9) Then, to set the EXCV to fully open position, apply 12 V to ② and ① terminals.  
Positive wire – ② (Gr wire) terminal  
Negative wire – ① (P wire) terminal
- 10) Measure the position sensor output voltage at fully open position.

**DATA** Position sensor output voltage  
 EXCV is fully close: 0.45 – 1.40 V  
 EXCV is fully open: 3.60 – 4.55 V  
 (+ Y – - W)

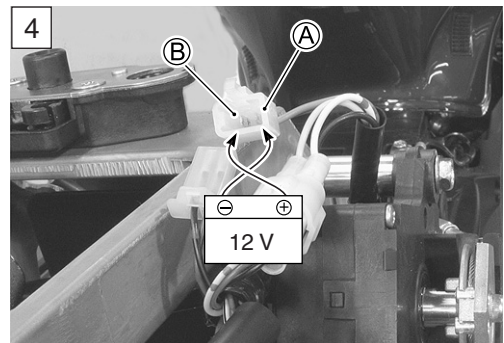
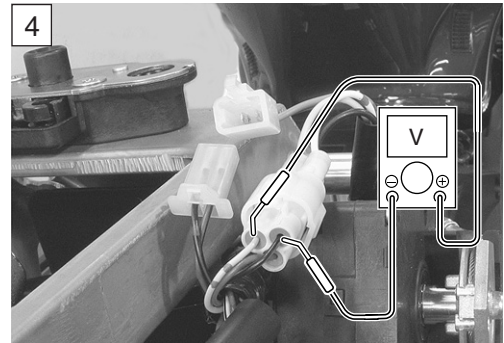
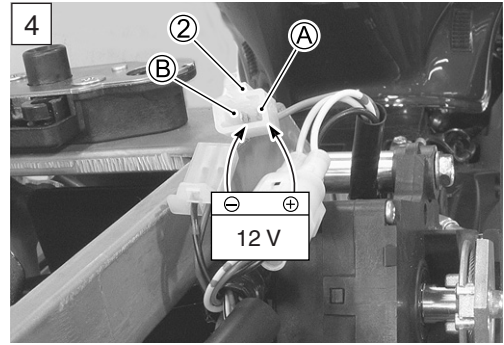
**TOOL** 09900-25008: Multi circuit tester set  
 09900-25009: Needle pointed probe set

**Tester knob indication: Voltage (V)**

Is the voltage OK?

YES	Replace the ECM with a known good one, and inspect it again.
NO	Go to Step 5.

- 11) After repairing the trouble, clear the DTC using SDS tool.  
 (👉 4-27)



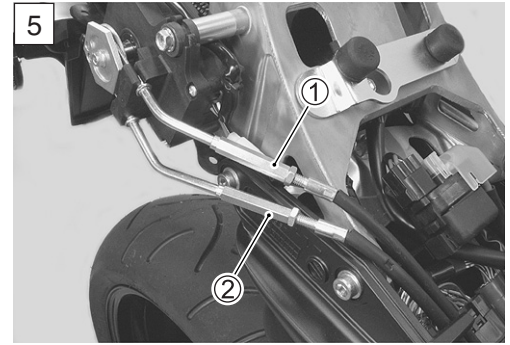


**Step 5**

- 1) If the position sensor output voltage is 0.5 V and less at fully close position, adjust the output voltage to specified by turning out the No. 1 cable adjuster ①.
- 2) Repeat the above procedure (Step 4) until the out put voltage becomes specified value. (If C46/P1657 code is indicated after adjusting the voltage, increase the voltage to 0.4 V.)

**CAUTION**

- \* Adjusting the cable with the EXCV fully opened or fully closed can damage the EXCVA. Be sure to adjust the cable with the EXCV set in adjustment position. (☞ 6-4)
- \* Do not turn the EXCVA pulley using the wrench.



- 3) If the position sensor output voltage is 4.5 V and more at fully open position, adjust the output voltage to specified by turning out the No. 2 cable adjuster ②.  
Repeat the above procedure (Step 4) until the output voltage is within the specified value.

**DATA** Position sensor output voltage

**EXCV is fully close:  $0.45 \leq \text{Output Voltage} \leq 1.40$**

**EXCV is fully open :  $3.60 \leq \text{Output Voltage} \leq 4.55$**

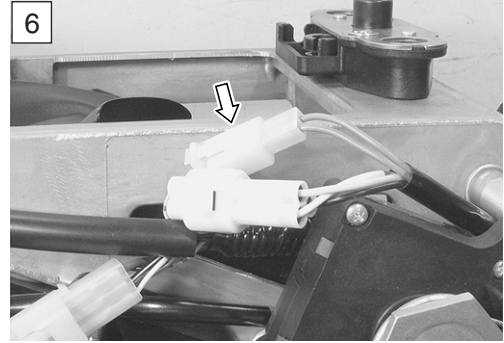
Is the voltage OK?

YES	Replace the ECM with a known good one, and inspect it again.
NO	Replace the EXCVA with a new one.

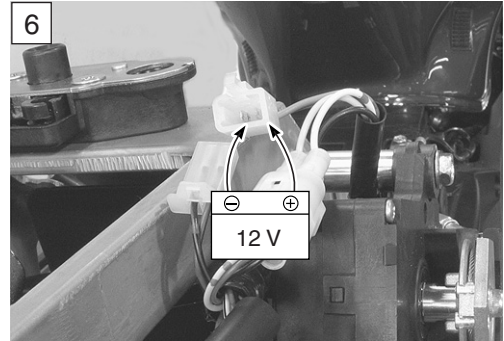
- 3) After repairing the trouble, clear the DTC using SDS tool. (☞ 4-27)

**Step 6**

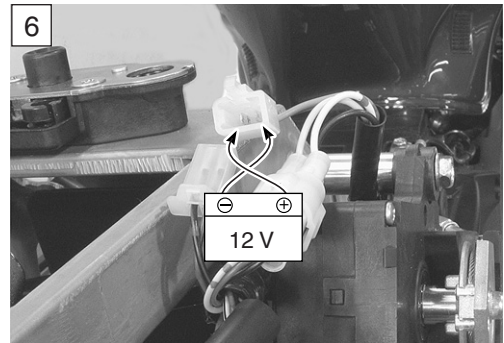
- 1) Turn the ignition switch OFF.
- 2) Disconnect the motor lead wire coupler of the EXCVA.



- 3) Apply 12 V to the terminal and check the operation of EXCVA.



- 4) Then, swap the wires supplied 12 V and check the operation of EXCVA.  
(Check the operation of EXCVA both way.)



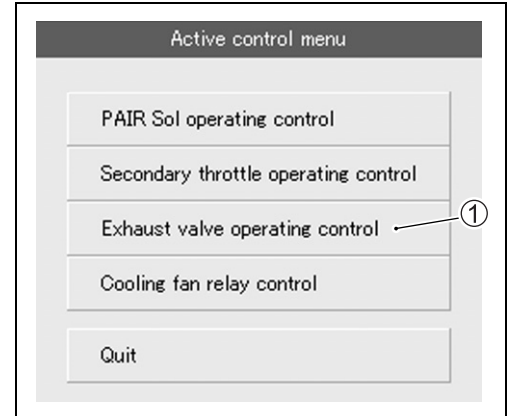
Is the operation OK?

YES	<ul style="list-style-type: none"> <li>• Loose or poor contacts on the EXCVA or ECM coupler (terminal ③ or ④)</li> <li>• Open or short circuit in the B/R wire or R/B wire</li> <li>• If wire and connection are OK, intermittent trouble or faulty ECM.</li> <li>• Recheck each terminal and wire harness for open circuit and poor connection.</li> <li>• Replace the ECM with a known good one, and inspect it again.</li> </ul>
NO	<ul style="list-style-type: none"> <li>• Replace the EXCVA with a new one.</li> <li>• Inspect that the EXCV and two cables move smoothly. (📄 6-11)</li> </ul>

- 5) After repairing the trouble, clear the DTC using SDS tool.  
(📄 4-27)

**ACTIVE CONTROL INSPECTION**

- 1) Set up the SDS tool. (Refer to the SDS operation manual for further details.)
- 2) Turn the ignition switch ON.
- 3) Click “Exhaust valve operating control” ①.

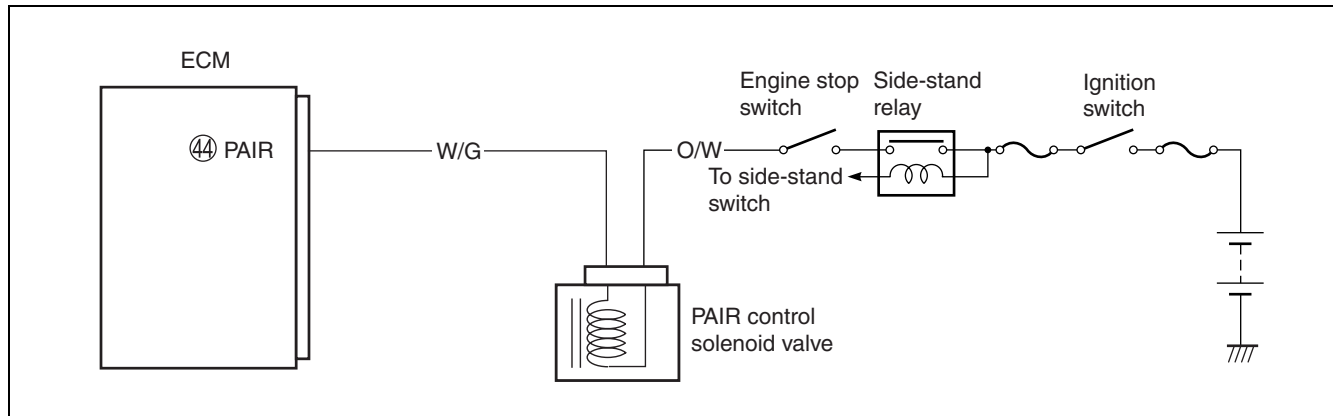


- 4) Click each button ②.  
At this time, if an operation sound is heard from the EXCVA, the function is normal.

<input checked="" type="checkbox"/> Secondary throttle actuator position sensor	94.5	%
<input checked="" type="checkbox"/> Exhaust valve full closed	Except full cls	
<input checked="" type="checkbox"/> Exhaust valve full opened	Except full opn	
<input checked="" type="checkbox"/> Exhaust control valve actuator position sens...	26.7	%
<input checked="" type="checkbox"/> Engine speed	0	rpm
<input checked="" type="checkbox"/> Throttle position	28.9	°
<input checked="" type="checkbox"/> Engine coolant / oil temperature	49.7	° C
<input checked="" type="checkbox"/> Manifold absolute pressure 1	101.3	kPa

## “C49” (P1656) PAIR CONTROL SOLENOID VALVE CIRCUIT MALFUNCTION

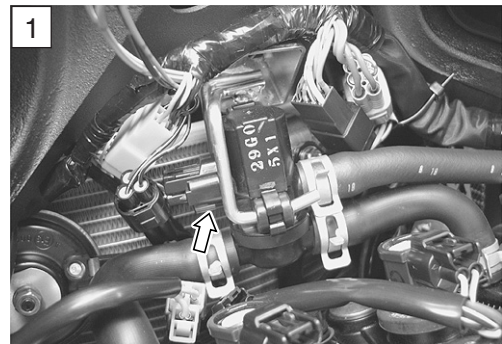
DETECTED CONDITION	POSSIBLE CAUSE
PAIR control solenoid valve voltage is not input to ECM.	<ul style="list-style-type: none"> <li>• PAIR control solenoid valve circuit open or short</li> <li>• PAIR control solenoid valve malfunction</li> <li>• ECM malfunction</li> </ul>



### INSPECTION

#### Step 1

- 1) Turn the ignition switch OFF.
- 2) Remove the air cleaner box. (↗ 5-14)
- 3) Check the PAIR control solenoid valve coupler for loose or poor contacts.  
If OK, then measure the PAIR control solenoid valve resistance.



- 4) Remove the PAIR control solenoid valve. (↗ 11-7)
- 5) Measure the resistance between terminals.

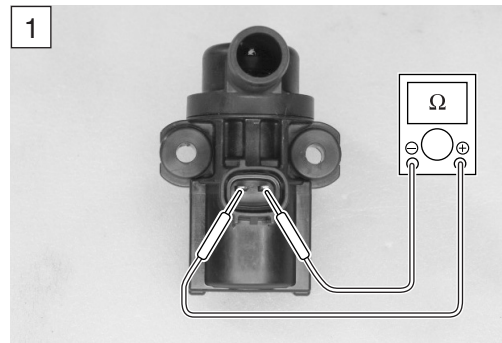
**DATA** PAIR valve resistance: 18 – 22 Ω at 20 – 30 °C (68 – 86 °F)  
(Terminal – Terminal)

**TOOL** 09900-25008: Multi-circuit tester set

**Tester knob indication: Resistance (Ω)**

Is the resistance OK?

YES	Go to Step 2.
NO	Replace the PAIR control solenoid valve with a new one.



- 6) After repairing the trouble, clear the DTC using SDS tool. (↗ 4-27)

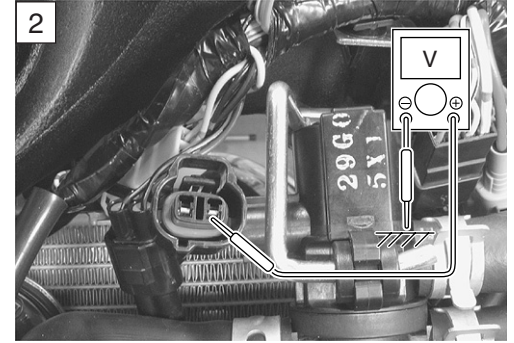
**Step 2**

- 1) Turn the ignition switch ON.
- 2) Measure the voltage between O/W wire and ground.

**DATA PAIR valve voltage: Battery voltage**  
 (+ O/W – – Ground)

**TOOL 09900-25008: Multi-circuit tester set**

**Tester knob indication: Voltage (V)**



Is the voltage OK?

YES	<ul style="list-style-type: none"> <li>• W/G wire open or shorted to ground, or poor (60) connection failure.</li> <li>• If wire and connection are OK, intermittent trouble or faulty ECM.</li> <li>• Recheck each terminal and wire harness for open circuit and poor connection.</li> <li>• Replace the ECM with a known good one, and inspect it again.</li> </ul>
NO	Open or short circuit in the O/W wire.

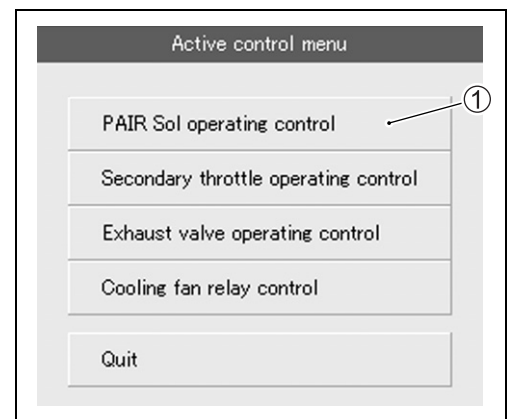
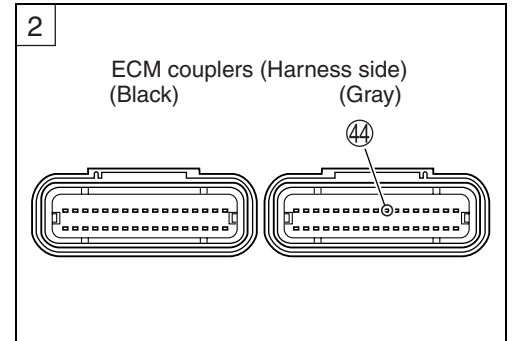
**CAUTION**

**When using the multi-circuit tester, do not strongly touch the terminal of the ECM coupler with a needle pointed tester probe to prevent the terminal damage or terminal bend.**

- 3) After repairing the trouble, clear the DTC using SDS tool. (4-27)

**ACTIVE CONTROL INSPECTION**

- 1) Set up the SDS tool. (Refer to the SDS operation manual for further details.)
- 2) Turn the ignition switch ON.
- 3) Click "PAIR Sol operating control" ①.



4) Click each button ②.

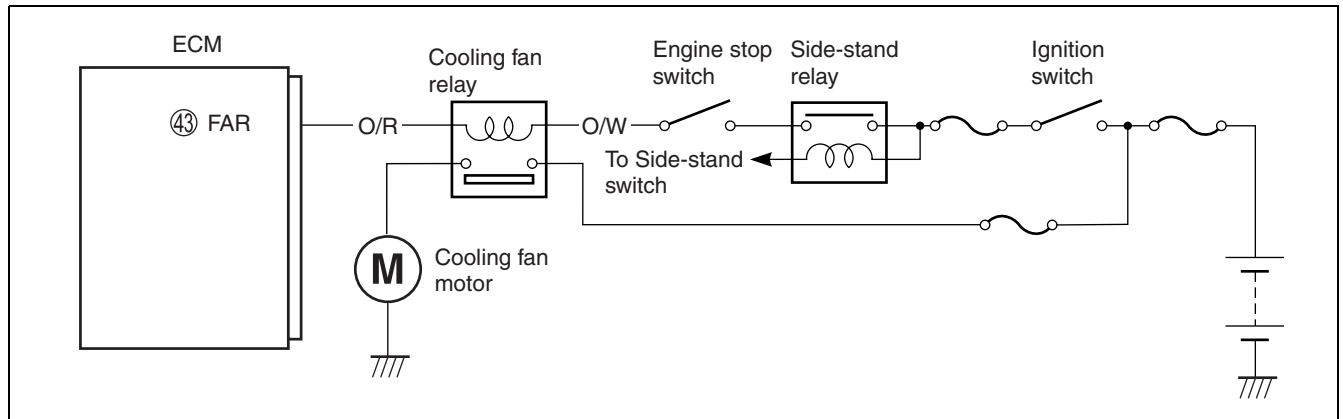
At this time, if an operation sound is heard from the PAIR control solenoid valve, the function is normal.

<input checked="" type="checkbox"/> Throttle position	28.9	°
<input checked="" type="checkbox"/> Secondary throttle actuator position sensor	94.1	%
<input checked="" type="checkbox"/> Intake air temperature	46.5	° C
<input checked="" type="checkbox"/> Barometric pressure	102.0	kPa
<input checked="" type="checkbox"/> Starter signal	Off	
<input checked="" type="checkbox"/> PAIR control solenoid valve	On	
<input checked="" type="checkbox"/> Battery voltage	0.0	V
<input checked="" type="checkbox"/> Gear position	N	



## “C60” (P0480) COOLING FAN RELAY CIRCUIT MALFUNCTION

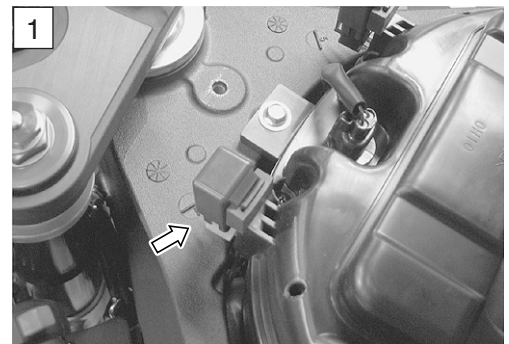
DETECTED CONDITION	POSSIBLE CAUSE
Cooling fan relay signal is not input to ECM.	<ul style="list-style-type: none"> <li>Cooling fan relay circuit open or short</li> <li>ECM malfunction</li> </ul>



### INSPECTION

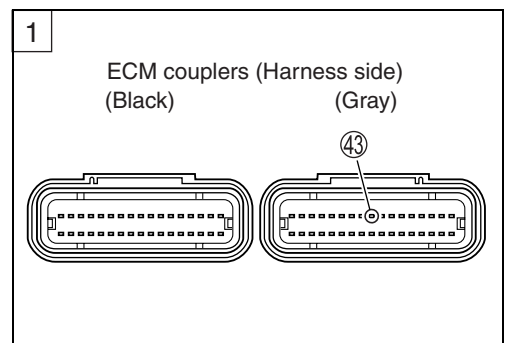
#### Step 1

- Turn the ignition switch OFF.
- Lift and support the fuel tank. (↗ 5-3)
- Check the cooling fan relay coupler for loose or poor contacts.  
If OK, then inspection the cooling fan relay. (↗ 7-7)



Is the cooling fan relay OK?

YES	<ul style="list-style-type: none"> <li>O/W and O/R wire open or shorted to ground, or poor ④ connection</li> <li>If wire and connection are OK, intermittent trouble or faulty ECM.</li> <li>Recheck each terminal and wire harness for open circuit and poor connection.</li> <li>Replace the ECM with a known good one, and inspect it again.</li> </ul>
NO	Replace the cooling fan relay with a new one.



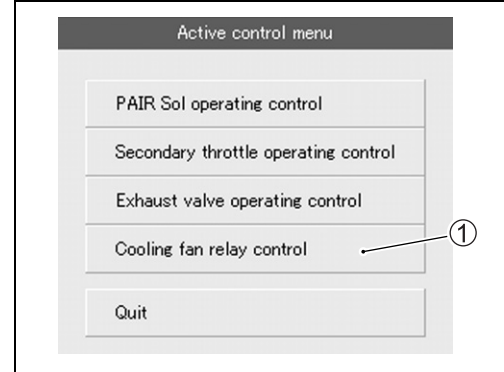
### CAUTION

**When using the multi-circuit tester, do not strongly touch the terminal of the ECM coupler with a needle pointed tester probe to prevent the terminal damage or terminal bend.**

- After repairing the trouble, clear the DTC using SDS tool. (↗ 4-27)

**ACTIVE CONTROL INSPECTION**

- 1) Set up the SDS tool. (Refer to the SDS operation manual for further details.)
- 2) Start the engine and run it idling condition.
- 3) Click “Cooling fan relay control” ①.



- 4) Click the operate button ②.

At this time, if an operation sound is heard from the cooling fan relay and cooling fan motor is operated, the function is normal.

**NOTE:**

Cooling fan relay and cooling fan motor operation can be checked until the engine coolant temperature is less than 100 °C (212 °F) after starting the engine.

<input type="checkbox"/> Secondary throttle actuator position sensor	31.0	%	
<input type="checkbox"/> Cooling fan relay	On		
<input type="checkbox"/> Manifold absolute pressure 1	75.0	kPa	
<input type="checkbox"/> PAIR control solenoid valve	Off		

Cooling fan relay control

Spec

Off

Stop

Operate

- 5) Click the stop button ③ to check the operation properly.

<input type="checkbox"/> Secondary throttle actuator position sensor	31.0	%	
<input type="checkbox"/> Cooling fan relay	Off		
<input type="checkbox"/> Manifold absolute pressure 1	75.0	kPa	
<input type="checkbox"/> PAIR control solenoid valve	Off		

Cooling fan relay control

Spec

Off

Stop

Operate

- 6) Click the off button ④ to check the cooling fan relay and cooling fan motor operation.

**NOTE:**

This inspection should be begun from when the engine coolant temperature is below 50 °C (122 °F). Check that the cooling fan relay operates for a few seconds as the engine coolant temperature arrives each at 50 °C (122 °F), 70 °C (158 °F) and 90 °C (194 °F)/above 4 000 r/min. It is cooling fan motor malfunction or its circuit failure when the motor would not run even if the relay turns to ON.

**NOTE:**

There is a tolerance of operating temperature of cooling fan relay.

<input type="checkbox"/> Secondary throttle actuator position sensor	45.1	%	
<input type="checkbox"/> Cooling fan relay	On		
<input type="checkbox"/> Manifold absolute pressure 1	57.6	kPa	
<input type="checkbox"/> PAIR control solenoid valve	Off		

Cooling fan relay control

Spec

Off

Stop

Operate

## SENSORS

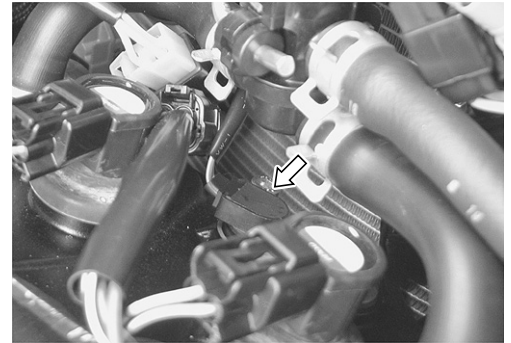
### CMP SENSOR INSPECTION

The camshaft position sensor is installed on the cylinder head cover. (☞ 4-33)

### CMP SENSOR REMOVAL AND INSTALLATION

- Remove the CMP sensor. (☞ 3-26)
- Install the CMP sensor in the reverse order of removal.

 **CMP sensor: 10 N·m (1.0 kgf-m, 7.0 lb-ft)**

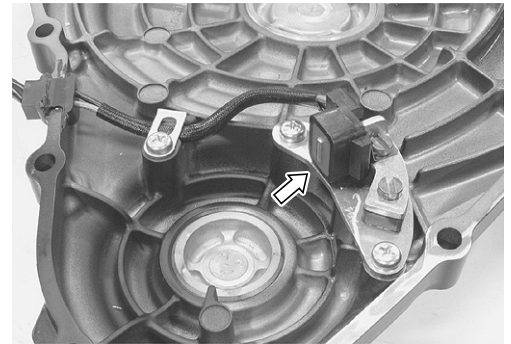


### CKP SENSOR INSPECTION

The crankshaft position sensor is installed behind the clutch cover. (☞ 4-35)

### CKP SENSOR REMOVAL AND INSTALLATION

- Remove the clutch cover. (☞ 3-16)
- Install the clutch cover in the reverse order of removal.

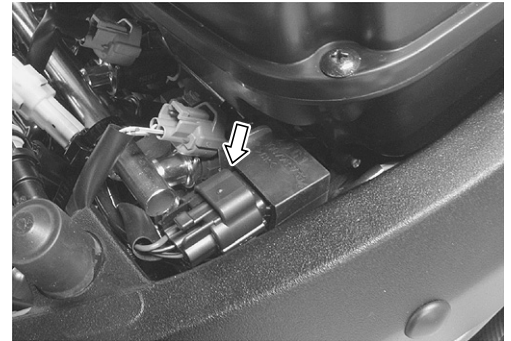


### IAP SENSOR INSPECTION

The intake air pressure sensor is installed at the rear side of the air cleaner box. (☞ 4-38)

### IAP SENSOR REMOVAL AND INSTALLATION

- Lift and support the fuel tank. (☞ 5-3)
- Remove the IAP sensor.
- Install the IAP sensor in the reverse order of removal.

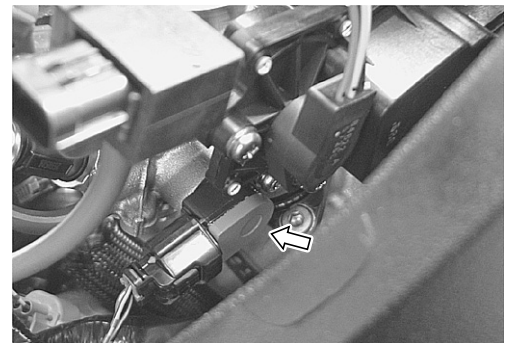


### TP SENSOR INSPECTION

The throttle position sensor is installed at the right side of the No. 4 throttle body. (☞ 4-44)

### TP SENSOR REMOVAL AND INSTALLATION

- Remove the aircleaner box and lift up the throttle body. (☞ 5-14)
- Remove the TP sensor. (☞ 5-17)
- Install the TP sensor in the reverse order of removal.



### TPS ADJUSTMENT

- Adjust the TP sensor. (☞ 4-20)

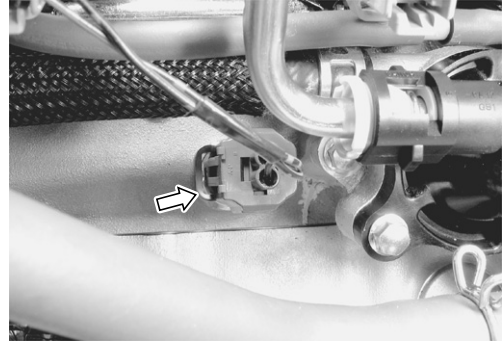
## ECT SENSOR INSPECTION

The engine coolant temperature sensor is installed at the cylinder head. (☞ 4-49)

## ECT SENSOR REMOVAL AND INSTALLATION

- Remove the ECT sensor. (☞ 7-7)
- Install the ECT sensor in the reverse order of removal.

 **ECT sensor: 18 N·m (1.8 kgf-m, 13.0 lb-ft)**



## IAT SENSOR INSPECTION

The intake air temperature sensor is installed to the air cleaner box. (☞ 4-53)

## IAT SENSOR REMOVAL AND INSTALLATION

- Lift and support the fuel tank. (☞ 5-3)
- Remove the IAT sensor from the air cleaner box.
- Install the IAT sensor in the reverse order of removal.

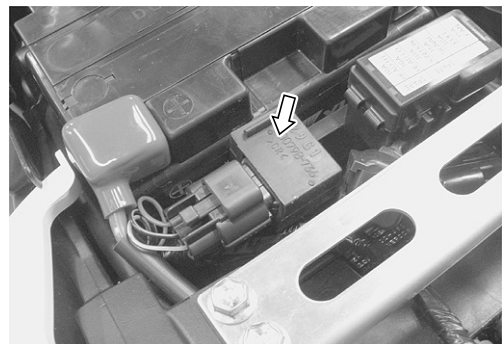


## AP SENSOR INSPECTION

The AP sensor is located under the front seat. (☞ 4-57)

## AP SENSOR REMOVAL AND INSTALLATION

- Remove the AP sensor from the frame.
- Install the AP sensor in the reverse order of removal.




## TO SENSOR INSPECTION

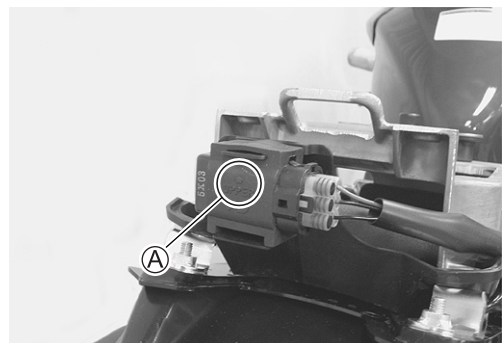
## TO SENSOR REMOVAL AND INSTALLATION

The tip-over sensor is located at the rear of seat tail rail. (☞ 4-63)

- Remove the TO sensor.
- Install the TO sensor in the reverse order of removal.

### NOTE:

When installing the TO sensor, the arrow mark  must be pointed upward.

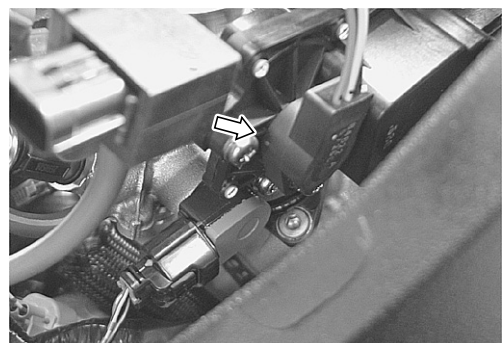


## STP SENSOR INSPECTION

## STP SENSOR REMOVAL AND INSTALLATION

The secondary throttle position sensor is installed at the right side of the No. 4 throttle body.

- Remove the aircleaner box and lift up the throttle body. (☞ 5-14)
- Remove the STP sensor. (☞ 5-17)
- Install the STP sensor in the reverse order of removal.

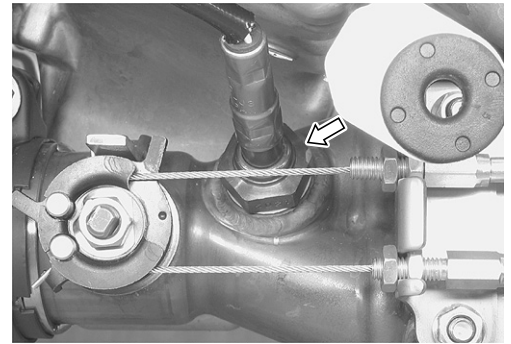


## STP SENSOR ADJUSTMENT

- Adjust the STP sensor. (☞ 5-22)

## HO2 SENSOR INSPECTION (For E-02, 19)

The heated oxygen sensor is installed to the exhaust pipe. (☞ 4-87)



## HO2 SENSOR REMOVAL AND INSTALLATION

- Remove the right under cowl. (☞ 8-5)
- Lift and support the fuel tank. (☞ 5-3)
- Disconnect the coupler ① and remove the HO2 sensor.

### ⚠ WARNING

Do not remove the HO2 sensor while it is hot.

### CAUTION

Be careful not to expose it to excessive shock.  
Do not use an impact wrench while removing or installing the HO2 sensor.  
Be careful not to twist or damage the sensor lead wires.

- Installation is in the reverse order of removal.

### CAUTION

Do not apply oil or other materials to the sensor air hole.

- Tighten the sensor unit to the specified torque.

**🔩 HO2 sensor: 48 N·m (4.8 kgf-m, 34.5 lb-ft)**

- Route the HO2 sensor lead wire properly. (☞ 10-20)



# FUEL SYSTEM AND THROTTLE BODY

## CONTENTS

<b>FUEL DELIVERY SYSTEM.....</b>	<b>5- 2</b>
<b>FUEL SYSTEM.....</b>	<b>5- 3</b>
<b>FUEL TANK LIFT-UP .....</b>	<b>5- 3</b>
<b>FUEL TANK REMOVAL.....</b>	<b>5- 4</b>
<b>FUEL TANK INSTALLATION .....</b>	<b>5- 4</b>
<b>FUEL PRESSURE INSPECTION .....</b>	<b>5- 4</b>
<b>FUEL PUMP INSPECTION .....</b>	<b>5- 5</b>
<b>FUEL DISCHARGE AMOUNT INSPECTION .....</b>	<b>5- 6</b>
<b>FUEL PUMP RELAY INSPECTION .....</b>	<b>5- 7</b>
<b>FUEL PUMP AND FUEL FILTER REMOVAL.....</b>	<b>5- 8</b>
<b>FUEL MESH FILTER INSPECTION AND CLEANING .....</b>	<b>5-10</b>
<b>FUEL PUMP AND FUEL MESH FILTER INSTALLATION.....</b>	<b>5-10</b>
<b>THROTTLE BODY .....</b>	<b>5-13</b>
<b>CONSTRUCTION .....</b>	<b>5-13</b>
<b>AIR CLEANER BOX REMOVAL AND INSTALLATION.....</b>	<b>5-14</b>
<b>THROTTLE BODY REMOVAL.....</b>	<b>5-15</b>
<b>THROTTLE BODY DISASSEMBLY.....</b>	<b>5-16</b>
<b>THROTTLE BODY CLEANING.....</b>	<b>5-18</b>
<b>INSPECTION .....</b>	<b>5-18</b>
<b>THROTTLE BODY REASSEMBLY.....</b>	<b>5-19</b>
<b>THROTTLE BODY INSTALLATION .....</b>	<b>5-21</b>
<b>STP SENSOR ADJUSTMENT .....</b>	<b>5-22</b>
<b>FUEL INJECTOR REMOVAL.....</b>	<b>5-23</b>
<b>FUEL INJECTOR INSPECTION.....</b>	<b>5-23</b>
<b>FUEL INJECTOR INSTALLATION .....</b>	<b>5-23</b>
<b>FAST IDLE.....</b>	<b>5-24</b>
<b>FAST IDLE ADJUSTMENT .....</b>	<b>5-24</b>
<b>THROTTLE VALVE SYNCHRONIZATION.....</b>	<b>5-26</b>
<b>THROTTLE POSITION SENSOR (TPS) SETTING.....</b>	<b>5-27</b>

### **⚠ WARNING**

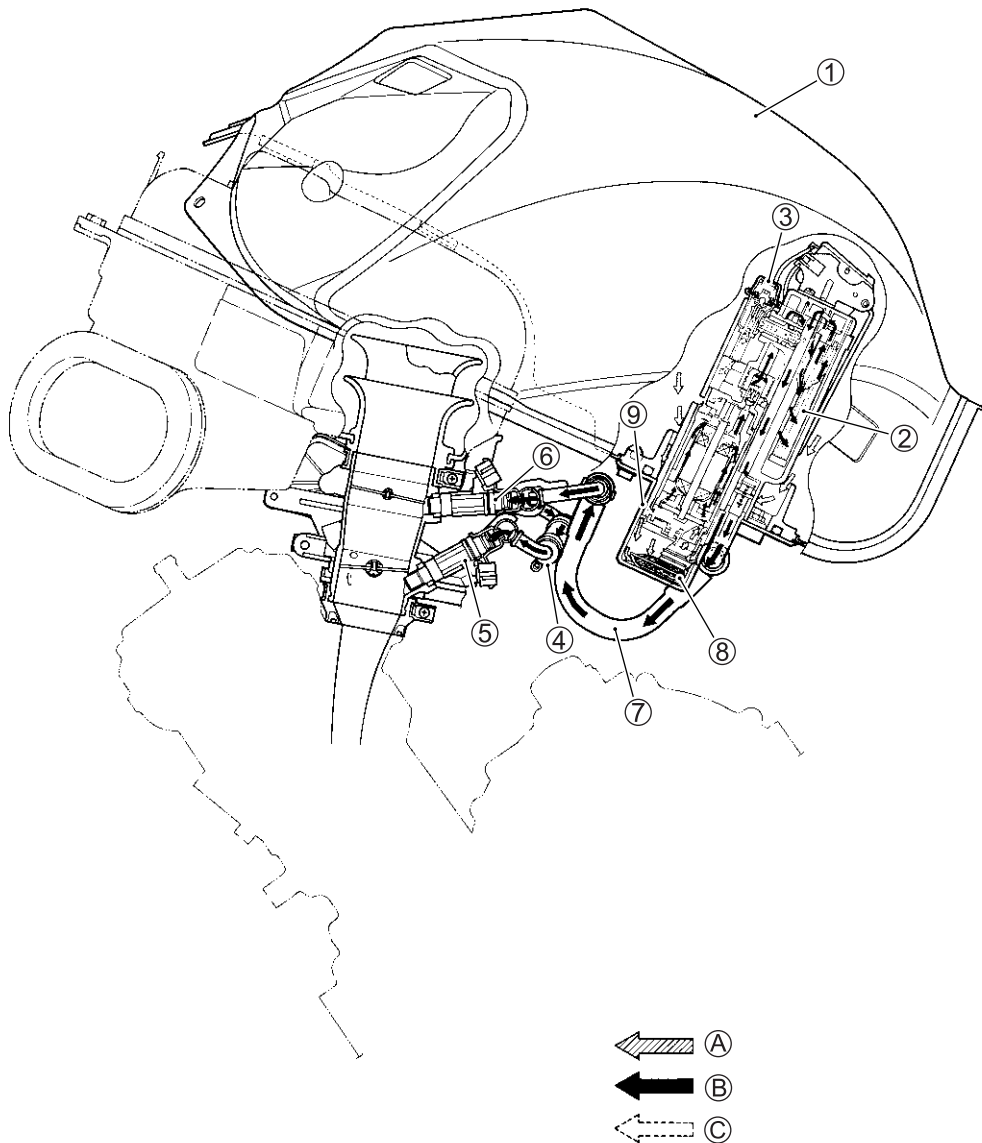
Gasoline must be handled carefully in an area well ventilated and away from fire or sparks.



## FUEL DELIVERY SYSTEM

The fuel delivery system consists of the fuel tank, fuel pump, fuel filters, fuel feed hose, fuel delivery pipe (including fuel injectors) and fuel pressure regulator. There is no fuel return hose. The fuel in the fuel tank is pumped up by the fuel pump and pressurized fuel flows into the injector installed in the fuel delivery pipe. Fuel pressure is regulated by the fuel pressure regulator. As the fuel pressure applied to the fuel injector (the fuel pressure in the fuel delivery pipe) is always kept at absolute fuel pressure of 3.0 kgf/cm<sup>2</sup> (300 kPa, 43 psi), the fuel is injected into the throttle body in conic dispersion when the injector opens according to the injection signal from the ECM.

The fuel relieved by the fuel pressure regulator flows back to the fuel tank.

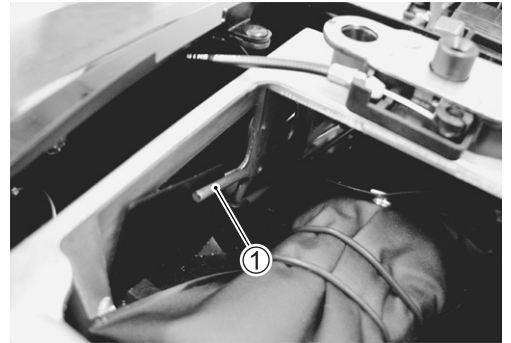


① Fuel tank	⑦ Fuel feed hose
② Fuel filter (For high pressure)	⑧ Fuel mesh filter (For low pressure)
③ Fuel pressure regulator	⑨ Fuel pump
④ Fuel delivery pipe	A Before-pressurized fuel
⑤ Primary fuel injector	B Pressurized fuel
⑥ Secondary fuel injector	C Relieved fuel

## FUEL SYSTEM

### FUEL TANK LIFT-UP

- Remove the seats. (☞ 8-7 and -8)
- Take out the fuel tank prop stay ①.



- Remove the fuel tank bolt.



- Lift and support the fuel tank with the fuel tank prop stay.



## FUEL TANK REMOVAL

- Lift and support the fuel tank. (☞ above)
- Disconnect the fuel pump lead wire coupler ①.
- Disconnect the fuel tank breather hose ② and fuel tank drain hose ③.
- Place a rag under the fuel feed hose ④ and disconnect the fuel feed hose.

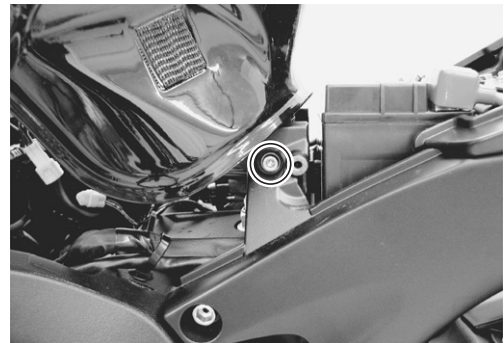
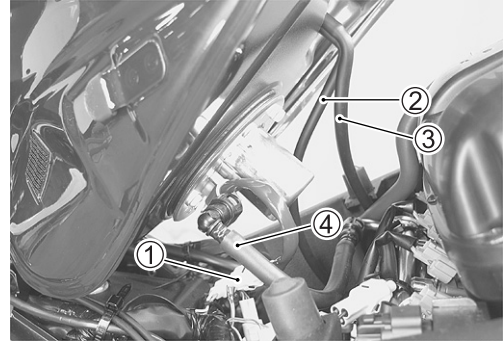
### CAUTION

When removing the fuel tank, do not leave the fuel feed hose ④ on the fuel tank side.

### ⚠ WARNING

Gasoline is highly flammable and explosive. Keep heat, spark and flame away.

- Remove the fuel tank bracket mounting bolt.
- Remove the fuel tank.



## FUEL TANK INSTALLATION

- Installation is in the reverse order of removal.

## FUEL PRESSURE INSPECTION

- Lift and support the fuel tank. (☞ 5-3)
- Place a rag under the fuel feed hose ① and remove the fuel feed hose.



- Install the special tools between the fuel tank and fuel delivery pipe.

- TOOL** 09940-40211: Fuel pressure gauge adaptor
- 09940-40220: Fuel pressure gauge hose attachment
- 09915-77331: Oil pressure gauge
- 09915-74521: Oil pressure gauge hose

Turn the ignition switch ON and check the fuel pressure.

**DATA** Fuel pressure: Approx. 300 kPa (3.0 kgf/cm<sup>2</sup>, 43 psi)

If the fuel pressure is lower than the specification, inspect the following items:

- \* Fuel hose leakage
- \* Clogged fuel filter
- \* Pressure regulator
- \* Fuel pump

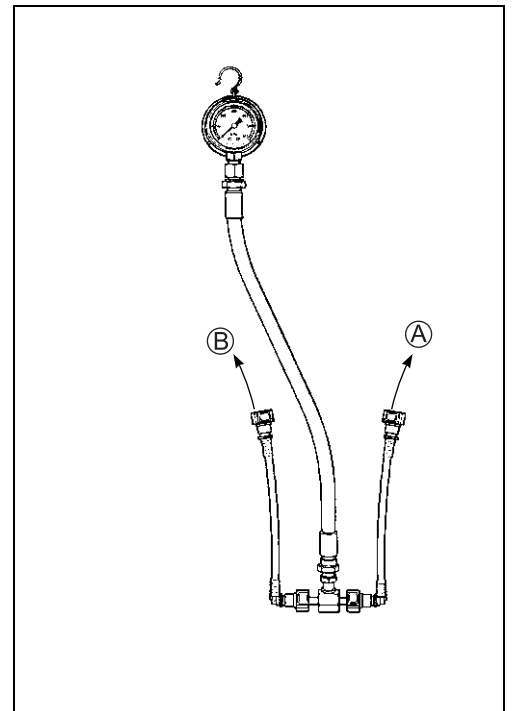
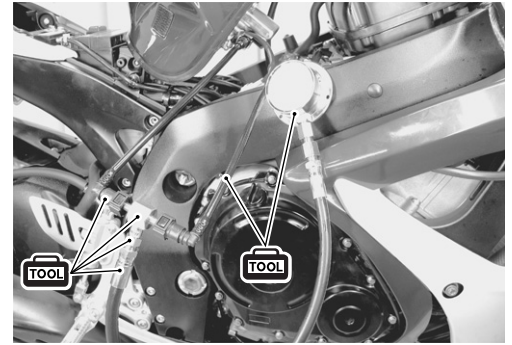
If the fuel pressure is higher than the specification, inspect the following items:

- \* Fuel pump check valve
- \* Pressure regulator

**⚠ WARNING**

- \* Before removing the special tools, turn the ignition switch to OFF position and release the fuel pressure slowly.
- \* Gasoline is highly flammable and explosive. Keep heat, sparks and flame away.

- Ⓐ To fuel tank
- Ⓑ To fuel delivery pipe



## FUEL PUMP INSPECTION

Turn the ignition switch ON and check that the fuel pump operates for few seconds.

If the fuel pump motor does not make operating sound, inspect the fuel pump circuit connections or inspect the fuel pump relay and to sensor.

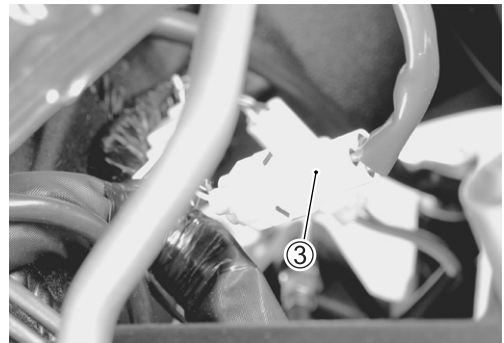
If the fuel pump relay, to sensor and fuel pump circuit connections are OK, the fuel pump may be faulty, replace the fuel pump with a new one.

## FUEL DISCHARGE AMOUNT INSPECTION

### **⚠ WARNING**

**Gasoline is highly flammable and explosive.  
Keep heat, spark and flame away.**

- Lift and support the fuel tank. (☞ 5-3)
- Turn the ignition switch OFF.
- Disconnect the battery ⊖ lead wire.
- Place a rag under the fuel feed hose and disconnect the fuel feed hose ① from the fuel pump.
- Connect a proper fuel hose ② to the fuel pump.
- Place the measuring cylinder and insert the fuel hose end into the measuring cylinder.
- Disconnect the fuel pump lead wire coupler ③.



- Connect a proper lead wire to the fuel pump lead wire coupler (fuel pump side) and apply 12 V to the fuel pump (between Y/R wire and B/W wire) for 10 seconds and measure the amount of fuel discharged.

Battery ⊕ terminal ——— (Y/R terminal)

Battery ⊖ terminal ——— (B/W terminal)

If the pump does not discharge the amount specified, it means that the fuel pump is defective or that the fuel filter is clogged.

**DATA Fuel discharge amount:**

**168 ml (5.7/5.9 US/lmp oz) and more/10 sec.**

**NOTE:**

*The battery must be in fully charged condition.*



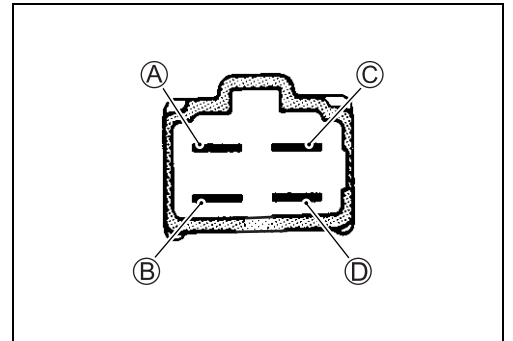
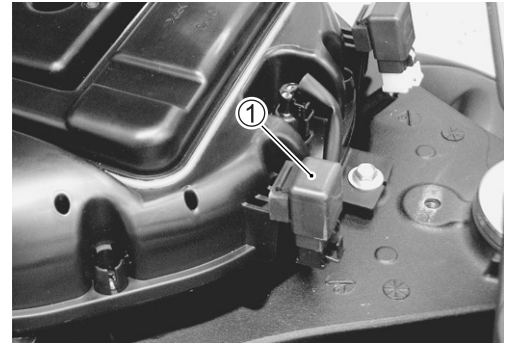
## FUEL PUMP RELAY INSPECTION

Fuel pump relay is located on the air cleaner box (right side one).

- Lift and support the fuel tank. (☞ 5-3)
- Remove the fuel pump relay ①.

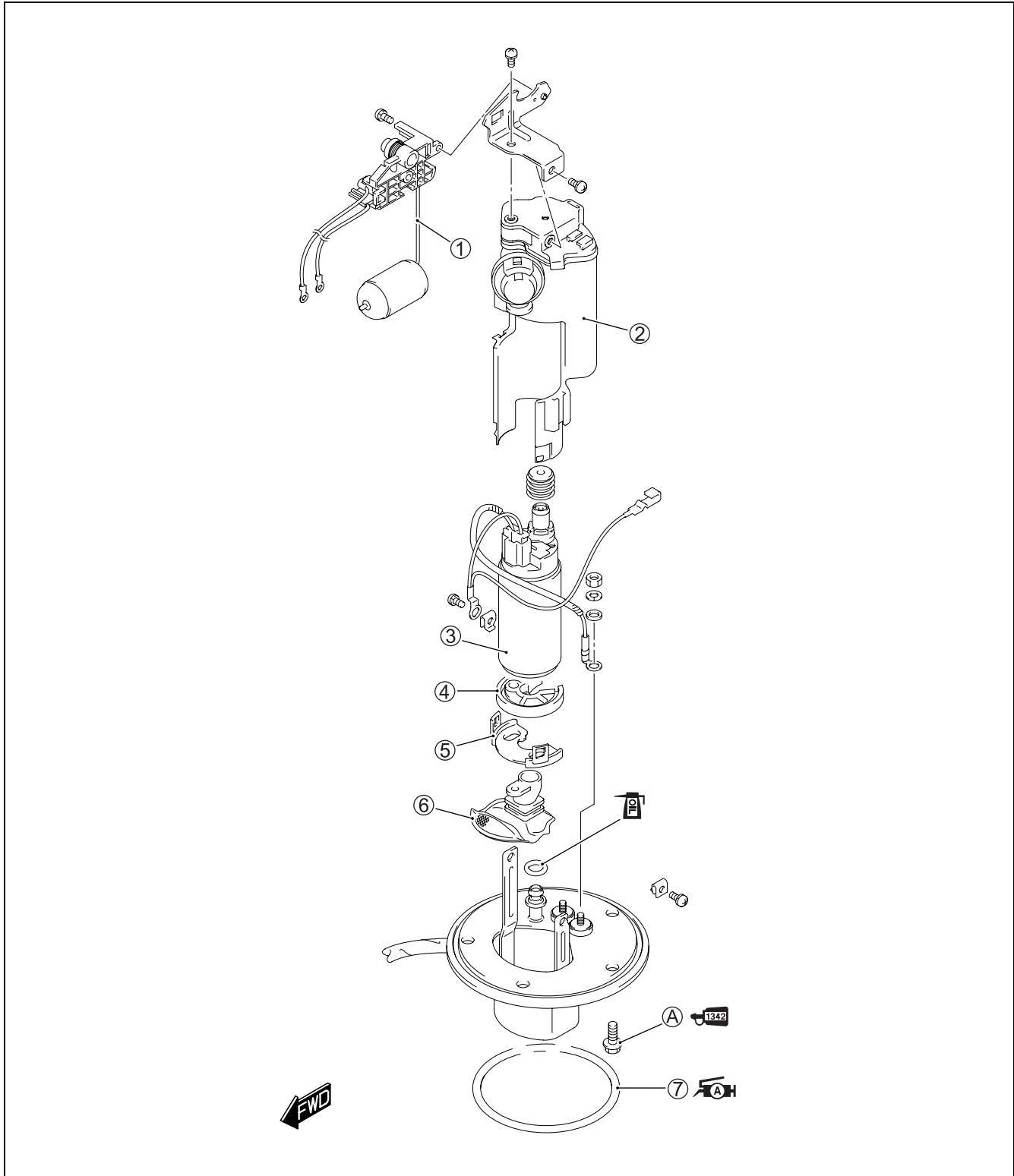
First, check the insulation between ① and ② terminals with pocket tester. Then apply 12 V to ③ and ④ terminals, ⊕ to ③ and ⊖ to ④, and check the continuity between ① and ②.

If there is no continuity, replace it with a new one.





## FUEL PUMP AND FUEL FILTER REMOVAL CONSTRUCTION



①	Fuel level gauge	⑤	Holder
②	Fuel pump case/Fuel filter cartridge	⑥	Fuel mesh filter
③	Fuel pump	⑦	O-ring
④	Rubber cushion	A	Fuel pump mounting bolt



ITEM	N·m	kgf·m	lb·ft
Ⓐ	10	1.0	7.0

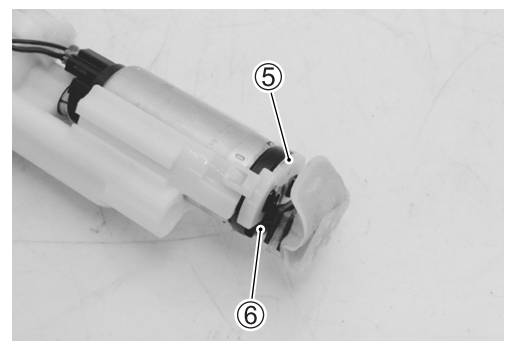
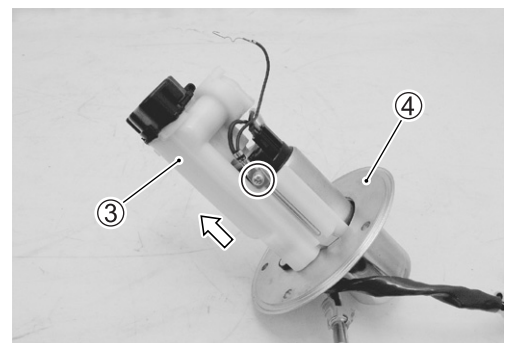
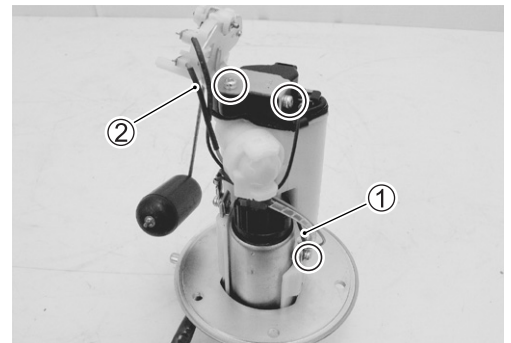
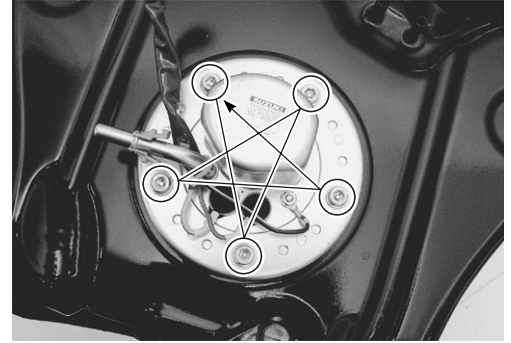
**REMOVAL**

- Remove the fuel tank. (☞ 5-4)
- Remove the fuel pump assembly ① by removing its mounting bolts diagonally.

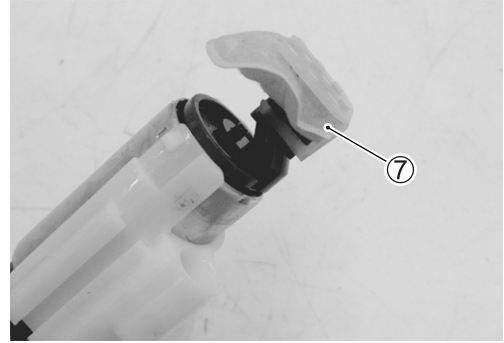
**⚠ WARNING**

**Gasoline is highly flammable and explosive.  
Keep heat, spark and flame away.**

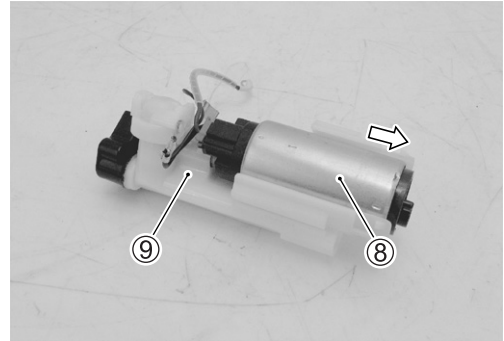
- Remove the nuts.
- Remove the lead wire ①, screws and fuel level gauge ②.
- Remove the screw.
- Remove the fuel pump ③ from the fuel pump plate ④.
- Remove the fuel pump holder ⑤ and rubber cushion ⑥.



- Remove the fuel mesh filter ⑦.



- Remove the fuel pump ⑧ from the fuel pump case/fuel filter cartridge ⑨.



## FUEL MESH FILTER INSPECTION AND CLEANING

If the fuel mesh filter is clogged with sediment or rust, fuel will not flow smoothly and loss in engine power may result. Blow the fuel mesh filter with compressed air.

**NOTE:**

*If the fuel mesh filter is clogged with many sediment or rust, replace the fuel filter cartridge with a new one.*



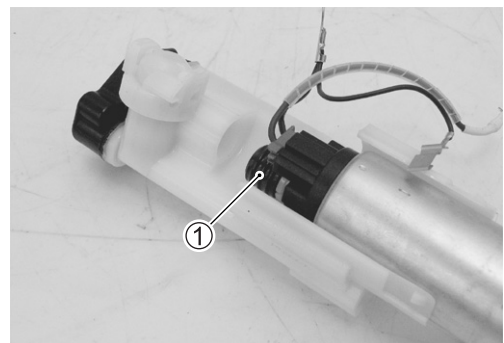
## FUEL PUMP AND FUEL MESH FILTER INSTALLATION

Install the fuel pump and fuel mesh filter in the reverse order of removal. Pay attention to the following points:

- Install new bushing ① to the fuel pump.

**CAUTION**

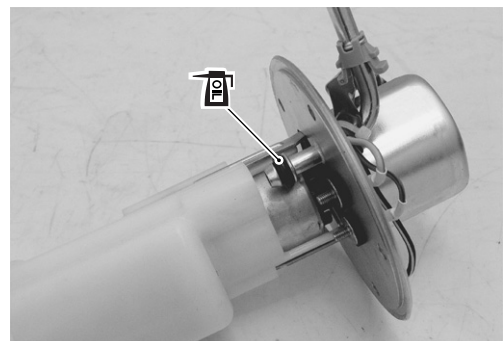
**Use new bushing to prevent fuel leakage.**



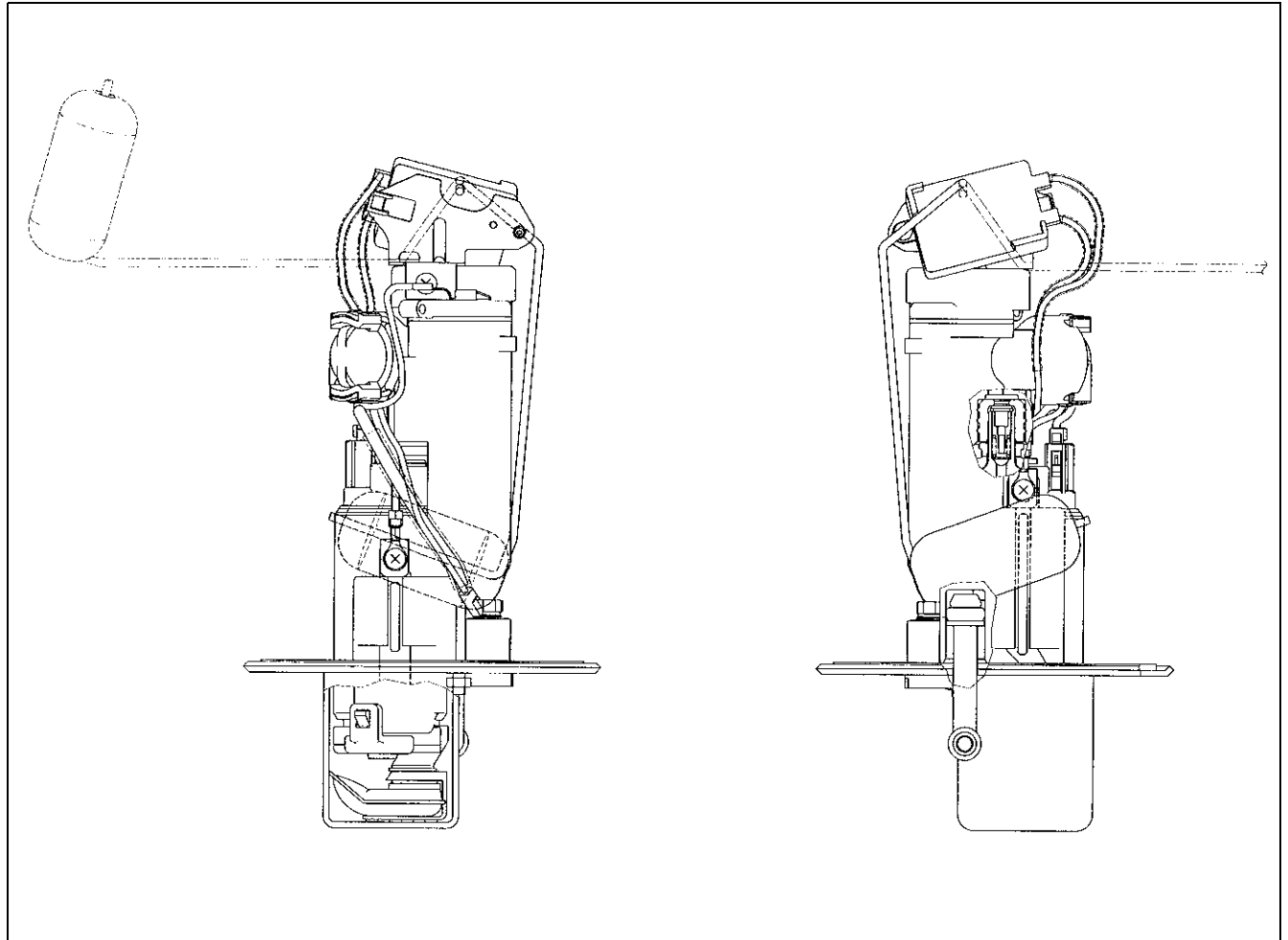
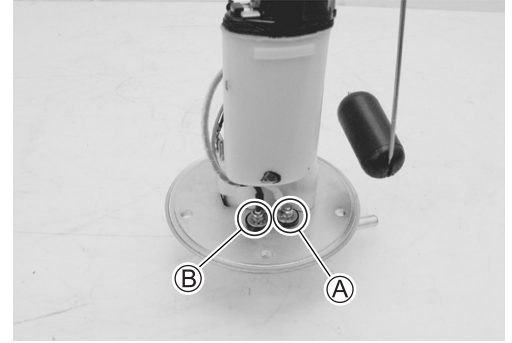
- Install new O-ring to the fuel pipe.
- Apply thin coat of engine oil to the new O-ring.

**CAUTION**

**Use new O-ring to prevent fuel leakage.**



- Be sure to connect the wires to the proper terminals.
- Ⓐ (Bl) ..... ⊕ terminal for fuel pump
- Ⓑ (R) ..... ⊕ terminal for fuel level gauge



- Install a new O-ring and apply SUZUKI SUPER GREASE “A” to it.

 99000-25010: SUZUKI SUPER GREASE “A”  
(or equivalent grease)

**⚠ WARNING**

The O-ring must be replaced with a new one to prevent fuel leakage.



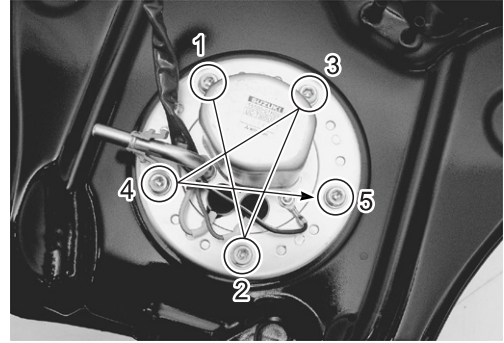
- When installing the fuel pump assembly, first tighten all the fuel pump mounting bolts lightly and then to the specified torque, in the ascending order of numbers.

 **Fuel pump mounting bolt: 10 N·m (1.0 kgf-m, 7.0 lb-ft)**

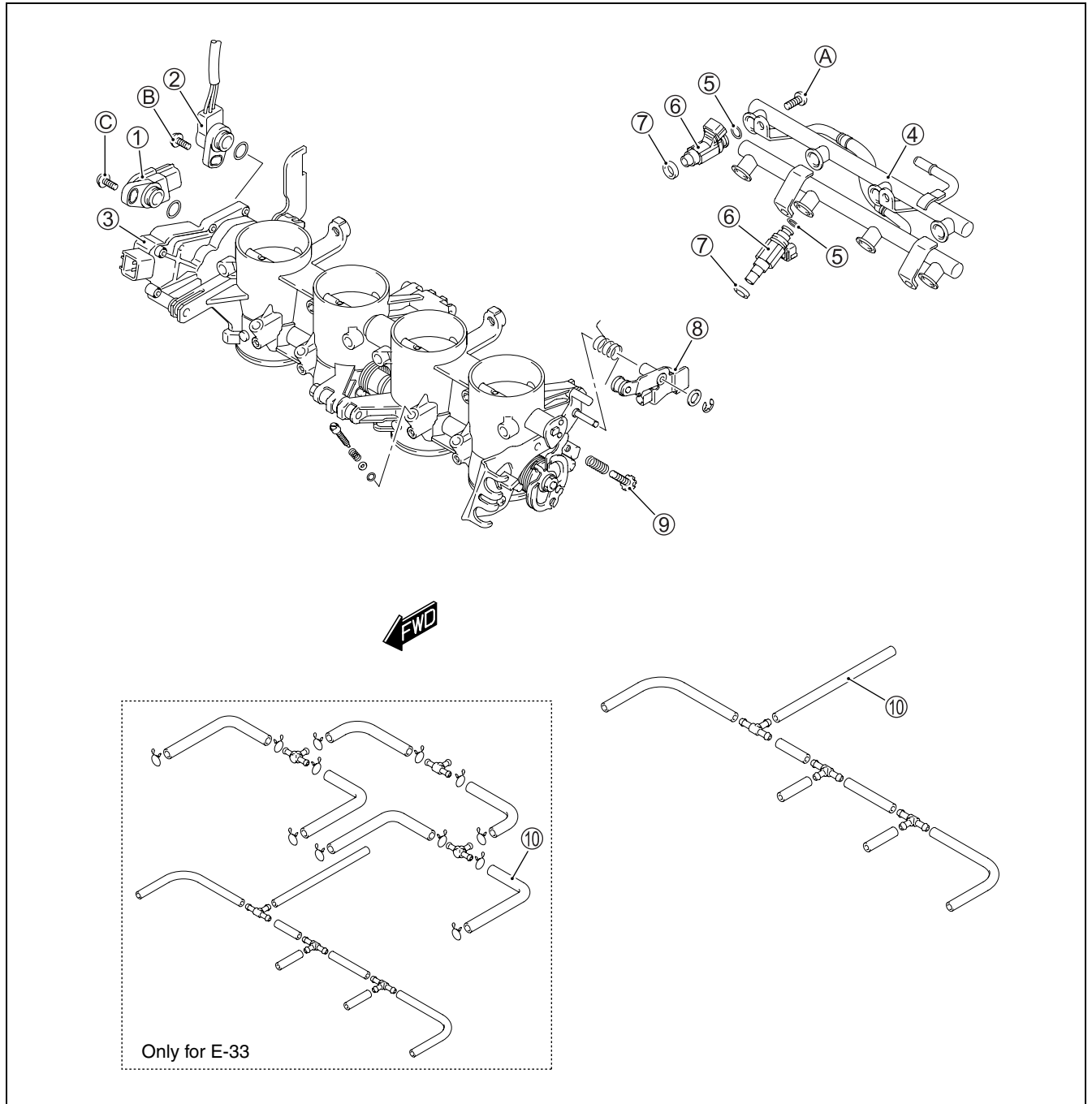
**NOTE:**

*Apply a small quantity of the **THREAD LOCK** to the thread portion of fuel pump mounting bolts.*

 **99000-32050: THREAD LOCK “1342”**



# THROTTLE BODY CONSTRUCTION



①	TP sensor	⑧	Fast idle adjusting screw
②	STP sensor	⑨	Throttle stop screw
③	STVA	⑩	Vacuum hose
④	Fuel delivery pipe	A	Fuel delivery pipe mounting screw
⑤	O-ring	B	STP sensor mounting screw
⑥	Fuel injector	C	TP sensor mounting screw
⑦	Cushion seal		



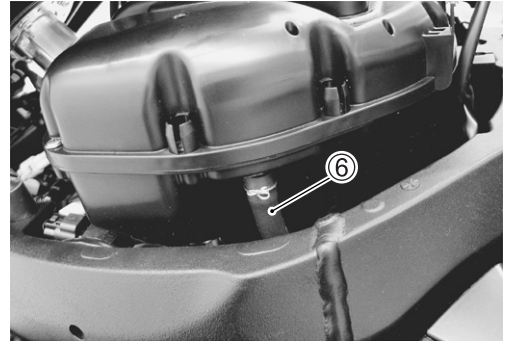
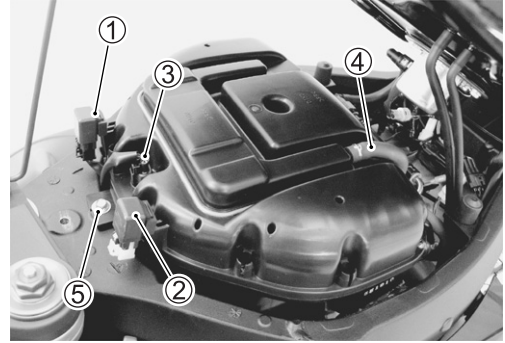
ITEM	N-m	kgf-m	lb-ft
A	5.0	0.5	3.7
B	3.5	0.35	2.5
C	3.5	0.35	2.5



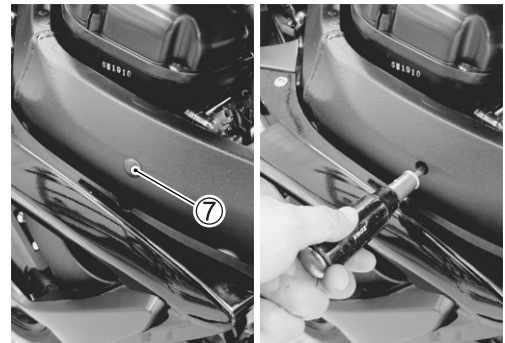
## AIR CLEANER BOX REMOVAL AND INSTALLATION

### REMOVAL

- Lift and support the fuel tank. (☞ 5-3)
- Disconnect the fuel pump relay ①, cooling fan relay ② and IAT sensor lead wire coupler ③.
- Disconnect the PCV hose ④.
- Remove the air cleaner mounting bolt ⑤.
- Disconnect the PAIR hose ⑥.



- Remove the rubber caps ⑦ (LH & RH).
- Loosen the throttle body clamp screws (LH & RH).
- Remove the air cleaner box.



### INSTALLATION

- Installation is in the reverse order of removal.

## THROTTLE BODY REMOVAL

- Remove the air cleaner box. (☞ 5-14)
- Disconnect the throttle cables from their drum.

### CAUTION

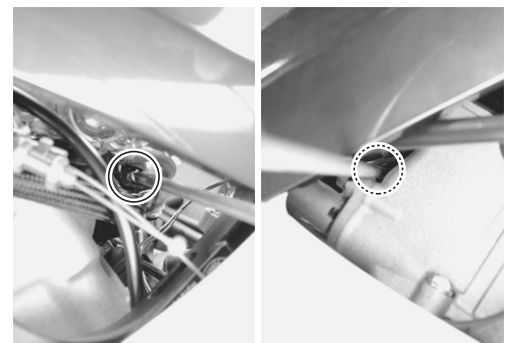
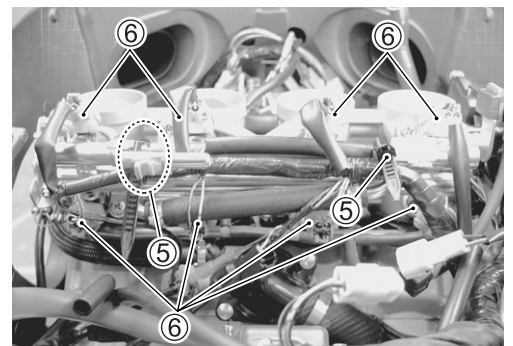
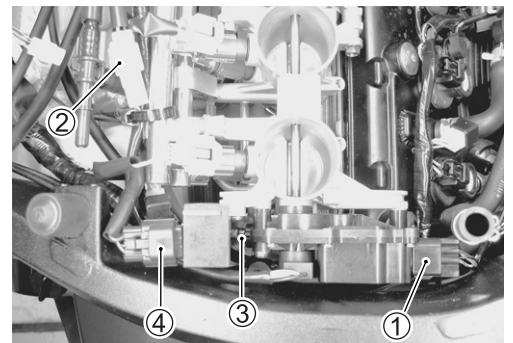
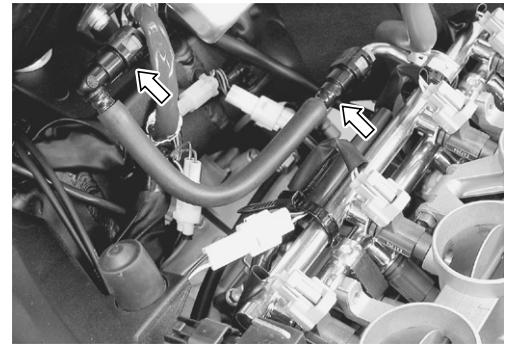
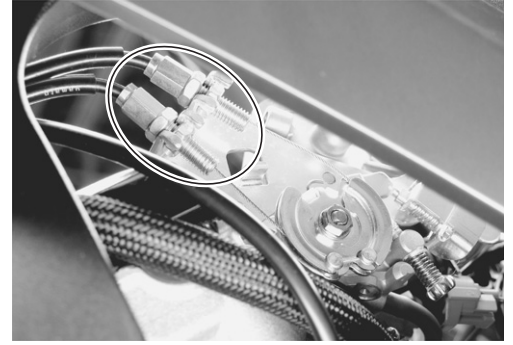
**After disconnecting the throttle cables, do not snap the throttle valve from full open to full close. It may cause damage to the throttle valve and throttle body.**

- Place a rag under the fuel feed hose and remove the fuel feed hose.

- Disconnect the STVA lead wire coupler ①, STP sensor lead wire coupler ② TP sensor lead wire coupler ③ and IAP sensor lead wire coupler ④.

- Remove the wire clamps ⑤ and disconnect the fuel injector lead wire couplers ⑥.

- Loosen the throttle body clamp screws at the intake pipe side.



- Remove the throttle body assembly.

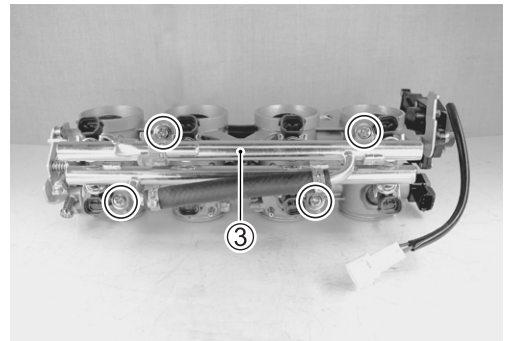
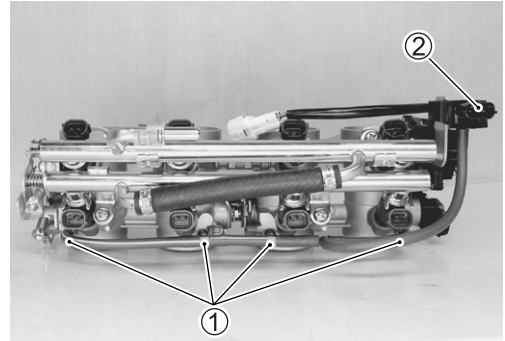


## THROTTLE BODY DISASSEMBLY

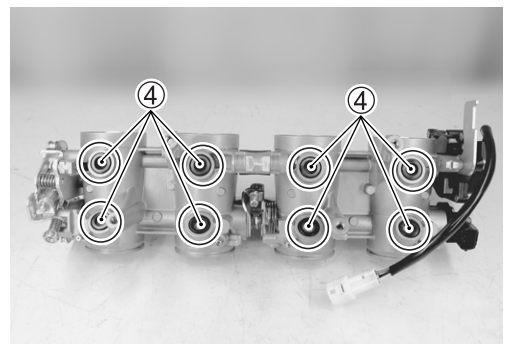
### CAUTION

Identify the position of each removed part. Organize the parts in their respective groups so that they can be reinstalled in their original positions.

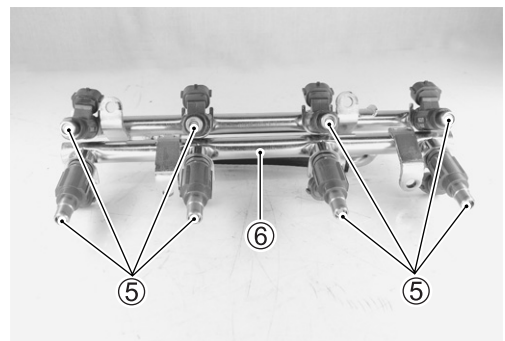
- Disconnect the respective vacuum hoses ① from each throttle body.
- Remove the IAP sensor ②
- Remove the fuel delivery pipe assembly ③.



- Remove the cushion seal ④ from the throttle body.



- Remove the fuel injectors ⑤, from the fuel delivery pipe ⑥.

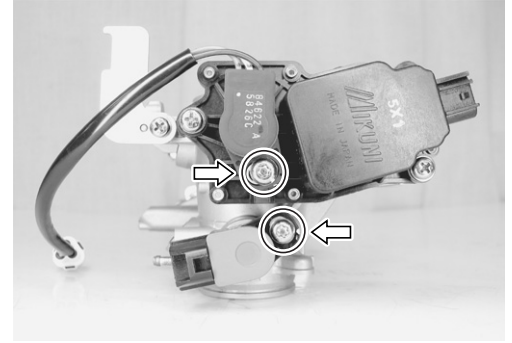


- Remove the TP sensor and STP sensor with the special tool.

**TOOL 09930-11950: Torx wrench**

**NOTE:**

*Prior to disassembly, mark the each sensor's original position with a paint or scribe for accurate reinstallation.*



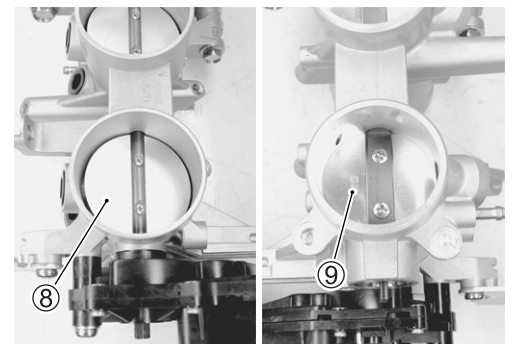
**CAUTION**

**Never remove the STVA ⑦ from the throttle body.**



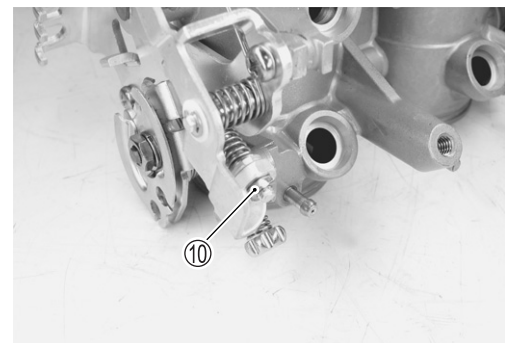
**CAUTION**

**Never remove the secondary throttle valve ⑧ and throttle valve ⑨.**



**CAUTION**

**The fast idle screw ⑩ is factory-adjusted at the time of delivery and therefore avoid removing or turning it unless otherwise necessary.**



## THROTTLE BODY CLEANING

### **⚠ WARNING**

Some carburetor cleaning chemicals, especially dip-type soaking solutions, are very corrosive and must be handled carefully. Always follow the chemical manufacturer's instructions on proper use, handling and storage.

- Clean all passageways with a spray-type carburetor cleaner and blow dry with compressed air.

### **CAUTION**

Do not use wire to clean passageways. Wire can damage passageways. If the components cannot be cleaned with a spray cleaner it may be necessary to use a dip-type cleaning solution and allow them to soak. Always follow the chemical manufacturer's instructions for proper use and cleaning of the throttle body components. Do not apply carburetor cleaning chemicals to the rubber and plastic materials.

## INSPECTION

Check following items for any damage or clogging.

- \* O-ring
- \* Throttle valve
- \* Secondary throttle valve
- \* Vacuum hose




## THROTTLE BODY REASSEMBLY


Reassemble the throttle body in the reverse order of disassembly. Pay attention to the following points:

- With the STV fully open, install the STP sensor ① and tighten the STP sensor mounting screw to the specified torque.

**NOTE:**

- \* Apply thin coat of the engine oil to the O-ring.
- \* Align the secondary throttle shaft end ① with the groove ② of STP sensor.
- \* Apply SUZUKI SUPER GREASE "A" to the secondary throttle shaft end ① if necessary.

 99000-25010: SUZUKI SUPER GREASE "A"  
(or equivalent grease)

 09930-11950: Torx wrench

 STP sensor mounting screw: 3.5 N·m (0.35 kgf·m, 2.5 lb·ft)

**NOTE:**


- \* Make sure the STP valve open or close smoothly.
- \* If the STP sensor adjustment is necessary, refer to page 5-22 for STP sensor setting procedure.

- With the throttle valve fully closed, install the TP sensor ② and tighten the TP sensor mounting screw to the specified torque.

**NOTE:**

- \* Apply thin coat of the engine oil to the O-ring.
- \* Align the throttle shaft end ③ with the groove ④ of TP sensor.
- \* Apply SUZUKI SUPER GREASE "A" to the throttle shaft end ③ if necessary.

 99000-25010: SUZUKI SUPER GREASE "A"  
(or equivalent grease)

 09930-11950: Torx wrench

 TP sensor mounting screw: 3.5 N·m (0.35 kgf·m, 2.5 lb·ft)

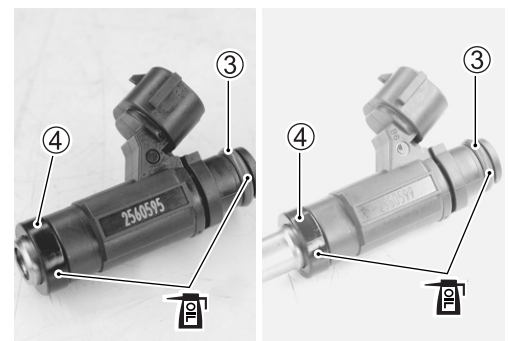
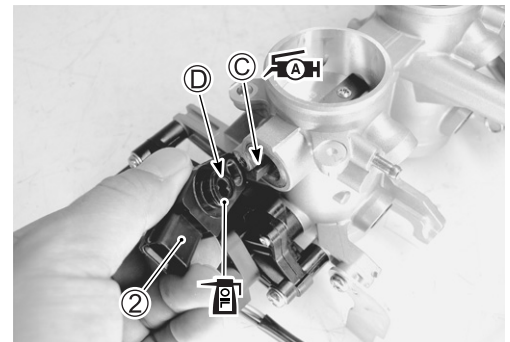
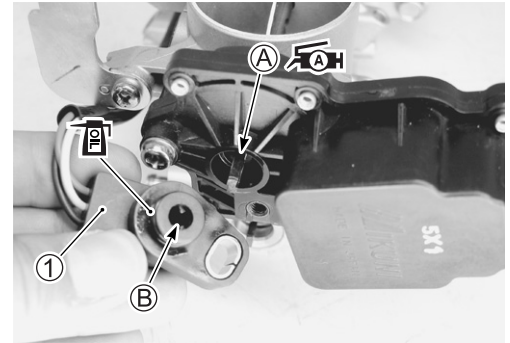
**NOTE:**

- \* Make sure the throttle valve open or close smoothly.
- \* TP sensor setting procedure. (☞ 4-20)

- Apply thin coat of the engine oil to the new O-ring ③ and cushion seal ④.

**CAUTION**

Replace the cushion seal and O-ring with the new ones.





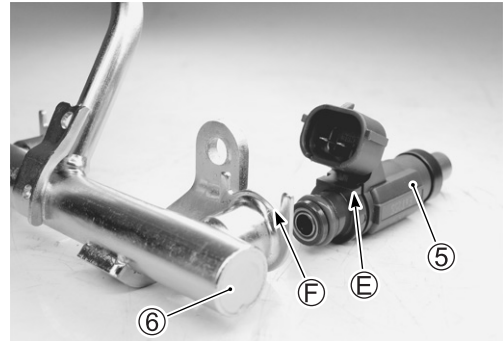
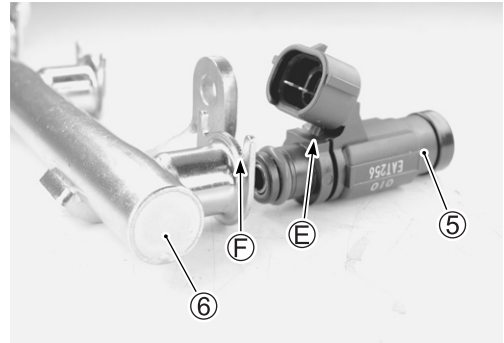
- Install the fuel injector ⑤ by pushing it straight to the delivery pipe ⑥.

**NOTE:**

Align the boss ⑤ of the injector with the groove ⑥ of the delivery pipe.

**CAUTION**

**Never turn the injector while pushing it.**



- Install the fuel delivery pipe assembly ⑦ to the throttle body assembly.

**CAUTION**

**Never turn the fuel injectors while installing them.**

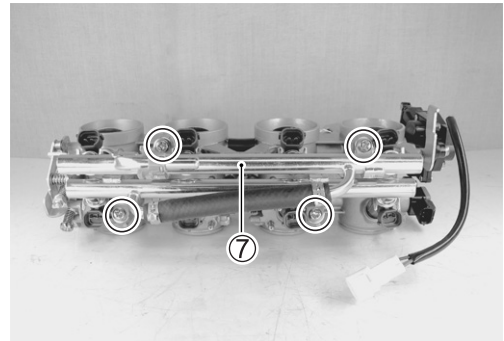
Tighten the fuel delivery pipe mounting screws to the specified torque.

 Fuel delivery pipe mounting screw:

**5.0 N·m (0.5 kgf-m, 3.7 lb-ft)**

**CAUTION**

- \* Replace the O-rings with the new ones.
- \* Never turn the fuel delivery pipes while pushing them.



## THROTTLE BODY INSTALLATION

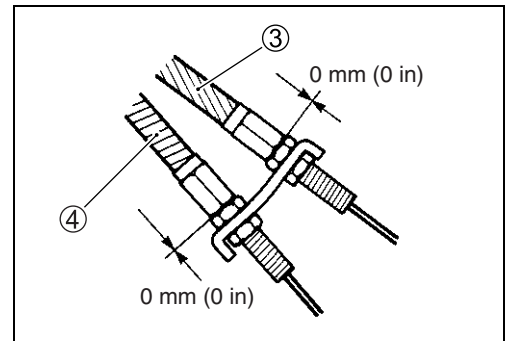
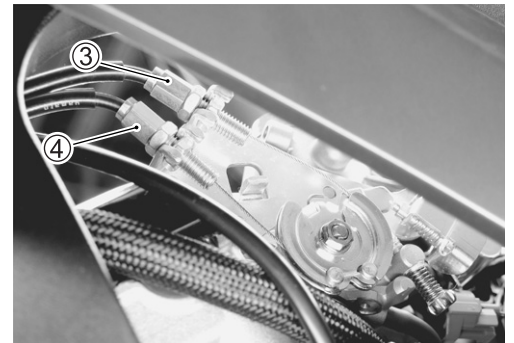
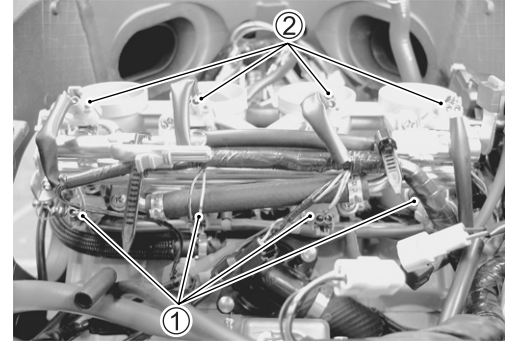
Installation is in the reverse order of removal. Pay attention to the following points:

- Connect the fuel injector couplers to the fuel injectors. Make sure that each coupler is installed in the correct position. The color on each lead wire refers to the appropriate fuel injector.

	① Primary injector	② Secondary injector
#1	Y/R and Gr/W	Y/R and Lg
#2	Y/R and Gr/B	Y/R and Lg/W
#3	Y/R and Gr/Y	Y/R and Lg/G
#4	Y/R and Gr/R	Y/R and Lg/Bl

- Connect the throttle pulling cable ③ and throttle returning cable ④ to the throttle cable drum.

- Loosen each throttle cable lock-nut.
- Turn in each throttle cable adjuster fully and locate each outer cable so that the clearance is 0 mm (0 in).
- Tighten each lock-nut.
- Adjust the throttle cable play.  
Refer to page 2-15 for details.



## STP SENSOR ADJUSTMENT

If the STP sensor adjustment is necessary, measure the sensor output voltage and adjust the STP sensor position as follows:

- Remove the air cleaner box . (☞ 5-14)
- Loosen the throttle body clamp screws at the intake pipe side.
- Lift up the throttle body assembly from the intake pipe.
- Disconnect the throttle cables from their drum.
- Disconnect the STVA lead wire coupler.
- Insert the needle pointed probes to the STP sensor coupler.
- Turn the ignition switch ON.
- Close the secondary throttle valve by finger, and measure the STP sensor output voltage.

### **DATA** STP sensor output voltage

ST valve is fully closed: 0.57 – 0.67 V

(⊕ Yellow – ⊖ Black)

**TOOL** 09900-25008: Multi-circuit tester set

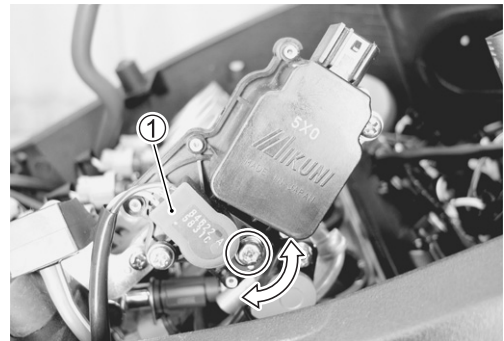
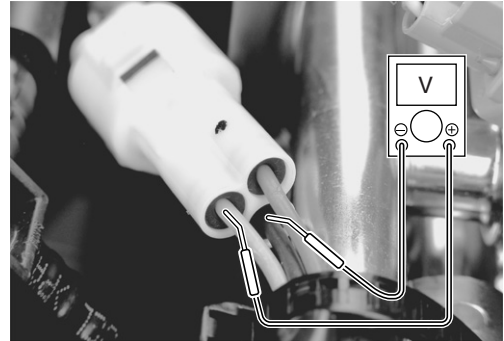
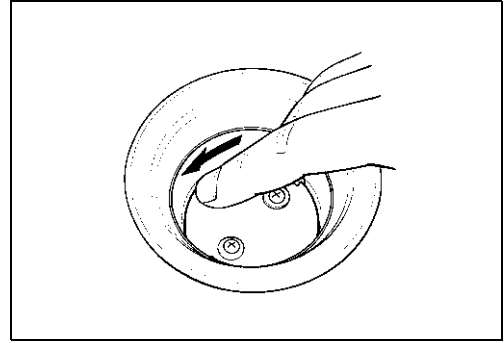
09900-25009: Needle pointed probe set

**TESTER** Tester knob indication: Voltage (V)

- Loosen the STP sensor mounting screw.
- Adjust the STP sensor ① until the output voltage comes within the specified value and tighten the STP sensor mounting screw.

**TOOL** 09930-11950: Torx wrench

**WRENCH** STP sensor mounting screw: 3.5 N·m (0.35 kgf·m, 2.5 lb-ft)



## FUEL INJECTOR REMOVAL

- Remove the air cleaner box. (☞ 5-14)
- With battery negative cable disconnected, disconnect the injector couplers.
- Remove the fuel delivery pipe assemblies. (☞ 5-16)
- Remove the primary and secondary fuel injectors #1, #2, #3 and #4. (☞ 5-16)

## FUEL INJECTOR INSPECTION

Check fuel injector filter for evidence of dirt and contamination. If present, clean and check for presence of dirt in the fuel lines and fuel tank.

The fuel injector can be checked without removing it from the throttle body.

Refer to page 4-77 to -82 for details.



## FUEL INJECTOR INSTALLATION

- Apply thin coat of the engine oil to new injector cushion seal and O-rings.
- Install the injector by pushing it straight to the throttle body. Never turn the injector while pushing it. (☞ 5-20)

## FAST IDLE

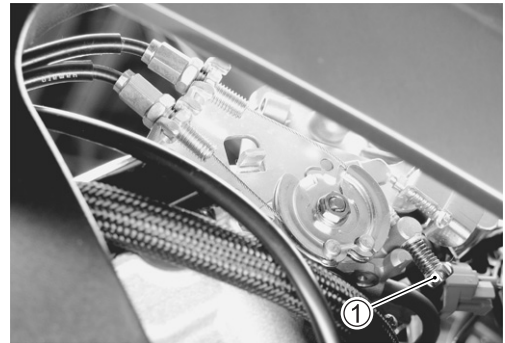
The fast idle system is automatic type.

When the fast idle cam is turned by the secondary throttle valve actuator, the cam pushes the lever on the throttle valve shaft causing the throttle valve to open and raise the engine speed. When the engine has warmed up, depending on the water temperature, ambient temperature and lapsed time, the fast idle is cancelled allowing the engine to resume idle speed.

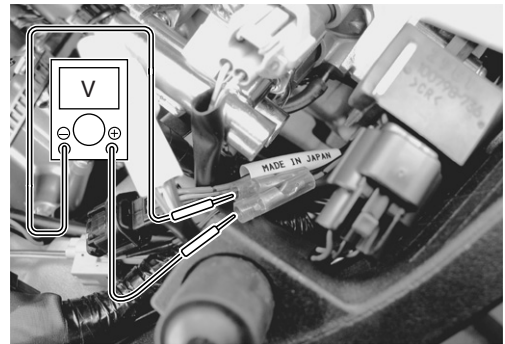
Ambient Temp.	Fast idle rpm	Fast idle cancelling time
-5 °C (23 °F)	1 500 – 2 000 r/min	Approx. 45 sec.
15 °C (59 °F)	1 500 – 2 000 r/min	Approx. 20 sec.
25 °C (77 °F)	1 500 – 2 000 r/min	Approx. 14 sec.

## FAST IDLE ADJUSTMENT

- Lift and support the fuel tank. (☞ 5-3)
- Start up the engine and run it in idling condition for warming up at the water temperature of 80 – 90 °C (176 – 194 °F).
- Set the idle rpm to 1 300 r/min by the throttle stop screw ①.
- Check and adjust the TP sensor. (☞ 4-20)



- Turn the ignition switch OFF.
- Disconnect the TP sensor coupler and install the test harness.
- Start up the engine.
- Measure the TP sensor output voltage at the wire terminals (between ⊕ terminal Red and ⊖ terminal Black).



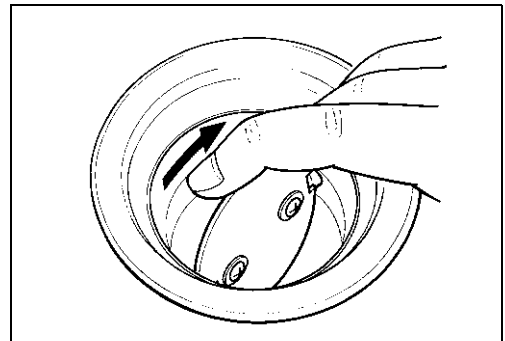
**DATA** TP sensor output voltage at idle position: Approx. 1.125 V

**TOOL** 09900-28630: TPS test wire harness

09900-25008: Multi-circuit tester set

**V** Tester knob indication: Voltage (---)

- Turn the ignition switch OFF.
- Remove the air cleaner box (☞ 5-14) and disconnect the STVA coupler. (☞ 5-15)
- Turn the ignition switch ON.
- Open the secondary throttle valve fully by turning it with your finger.
- With the secondary throttle valve held at this position, measure the output voltage of the TP sensor as shown.



- Calculate the voltage difference between TP sensor output voltage at idle and TP sensor output voltage with the STV full opened.

**Example: TP sensor output voltage with the STV fully open  
Minus TP sensor output voltage at idle is 0.025 V**

$$\begin{array}{r}
 \text{STV fully open} \quad 1.150 \text{ V} \\
 \text{Idle} \quad \quad \quad - 1.125 \text{ V} \\
 \hline
 0.025 \text{ V}
 \end{array}$$

**DATA** TP sensor output voltage variation: 0.020 – 0.030 V

- If the voltage variation is out of specification, turn in or out the fast idle adjust screw ③ to adjust the voltage to specification.

**CAUTION**

**The fast idle screw is factory-adjusted at the time of delivery and therefore avoid removing or turning it unless otherwise necessary.**

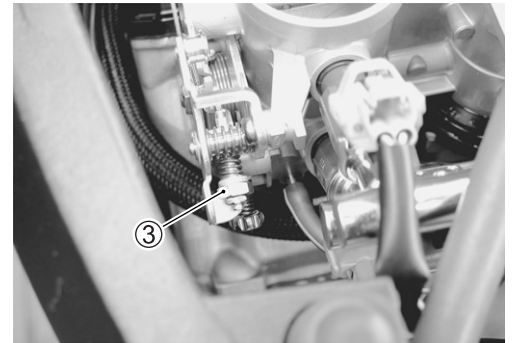
- Cool down the engine to ambient air temperature and start the engine to check the fast idle rpm comes within the specified rpm.

**DATA** Standard

**Fast idle rpm: 1 500 – 2 000 r/min (Cold engine)**

**Idle rpm : 1 300 ± 100 r/min (Warmed engine)**

- If it is not at the specified rpm, the cause may possibly be short-circuit in water temperature sensor or wiring harness or STVA.



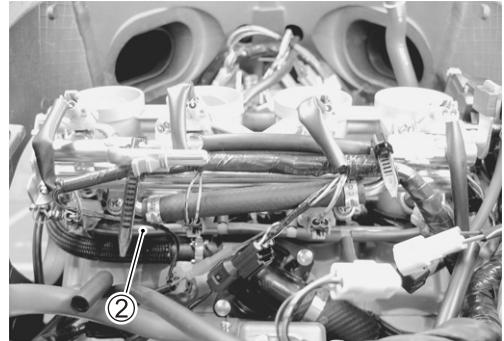
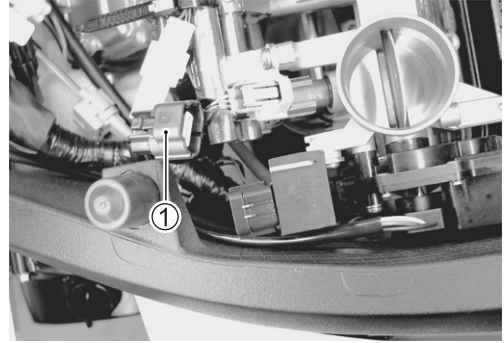


## THROTTLE VALVE SYNCHRONIZATION

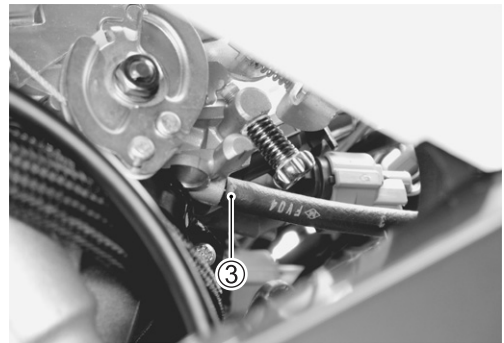
Check and adjust the throttle valve synchronization among four cylinders.

### Step 1

- Lift and support the fuel tank. (☞ 5-3)
  - Start up the engine and run it in idling condition for warming up.
  - Stop the warmed-up engine.
  - Disconnect the IAP sensor coupler ① .
- 
- Disconnect the vacuum hose ② from each throttle body.



- Connect the vacuum tester hose ③ to each vacuum nipple on the throttle body.



### Step 2

- Connect a tachometer and start up the engine.
- Bring the engine r/min to 1 300 r/min by the throttle stop screw.
- Check the vacuum of the four cylinders and balance the four throttle valves with the balance screw ④.



### CAUTION

**Avoid dirt drawn into the throttle body while running the engine without air cleaner box cover. Dirt drawn into the engine will damage the internal engine parts.**

### NOTE:

- \* During balancing the throttle valves, always set the engine r/min at 1 300 r/min, using throttle stop screw.
- \* After balancing the four valves, set the idle r/min to 1 300 r/min by the throttle stop screw.
- \* If the above procedures cannot still synchronize the valves, proceed to the next step.



**Step 3**

- Turn in all the idle air screws to the complete close position.
- Check for difference of vacuum between #1 and #2.
- Equalize these two by gradually turning back the air screw on the higher vacuum side until the vacuum comes down to the lower. Similarly perform the same procedures between #3 and #4.
- Check for the synchronization adjustment. If the adjustment is not yet correct, remove each idle air screw and clean them with a spray-type carburetor cleaner and blow dry with a compressed air.
- Also, clean the idle air screw passageways.

**NOTE:**

- \* *Slowly turn the idle air screw in clockwise and count the number of turns until the screw is lightly seated.*
- \* *Make a note of how many turns were made so the screw can be reset correctly after cleaning.*

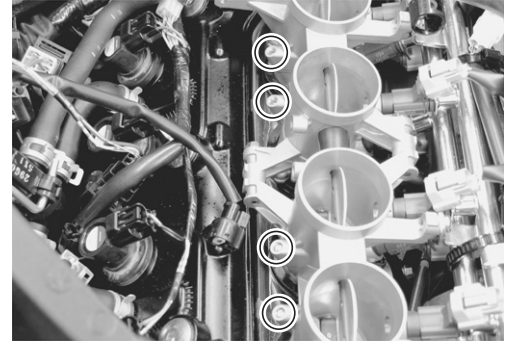
**Step 4**

Repeat the procedures of Step 2 and Step 3.

**THROTTLE POSITION SENSOR (TPS) SETTING**

After all adjustments are completed, check or adjust the TPS setting condition.

(Refer to page 4-20 for TPS setting procedure.)



# EXHAUST SYSTEM

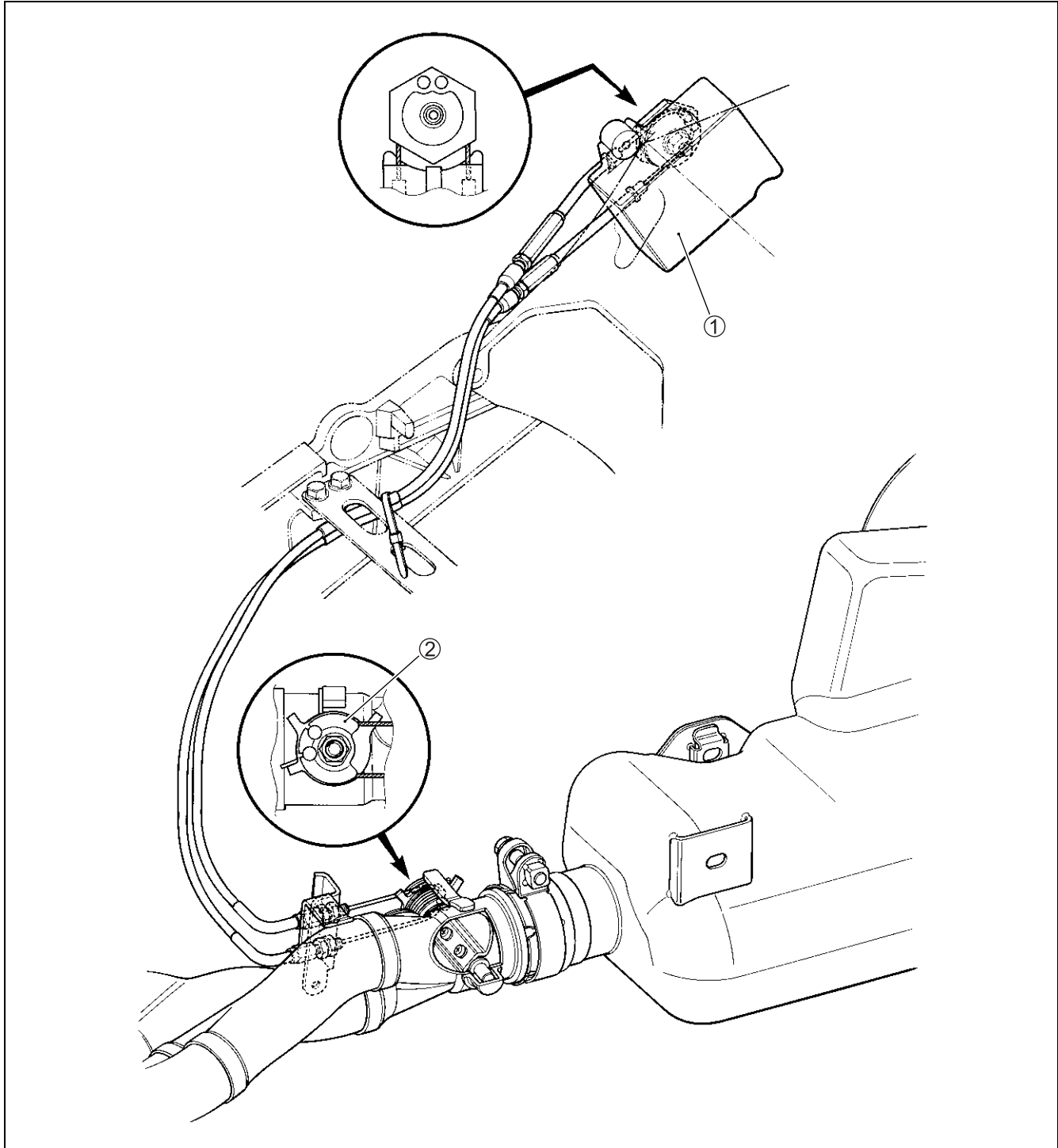
## CONTENTS

<b>EXHAUST SYSTEM.....</b>	<b>6- 2</b>
<b>EXHAUST CONTROL SYSTEM .....</b>	<b>6- 2</b>
<b>OPERATION.....</b>	<b>6- 3</b>
<b>EXCVA (EXHAUST CONTROL VALVE ACTUATOR)</b>	
<b>AND EXCV (EXHAUST CONTROL VALVE).....</b>	<b>6- 4</b>
<b>EXCVA REMOVAL.....</b>	<b>6- 4</b>
<b>EXCVA PULLEY INSPECTION.....</b>	<b>6- 5</b>
<b>EXCVA INSTALLATION .....</b>	<b>6- 5</b>
<b>EXCVA INSPECTION.....</b>	<b>6- 6</b>
<b>EXCV CABLE REPLACEMENT.....</b>	<b>6- 7</b>
<b>EXCVA ADJUSTMENT .....</b>	<b>6- 8</b>
<b>EXCV/EXHAUST PIPE, MUFFLER REMOVAL.....</b>	<b>6-10</b>
<b>EXCV INSPECTION .....</b>	<b>6-12</b>
<b>EXCV/EXHAUST PIPE, MUFFLER INSTALLATION .....</b>	<b>6-12</b>

## EXHAUST SYSTEM EXHAUST CONTROL SYSTEM

The exhaust control system (EXCS) consists of the exhaust control valve (EXCV), exhaust control valve actuator (EXCVA) and exhaust control valve cables (EXCV cables).

EXCV is installed the exhaust pipes. EXCVA is mounted on the right side of the seat rail. The EXCV is operated by the EXCVA via the cables. This system is designed to improve the engine torque at low engine rpm.



① Exhaust control valve actuator (EXCVA)

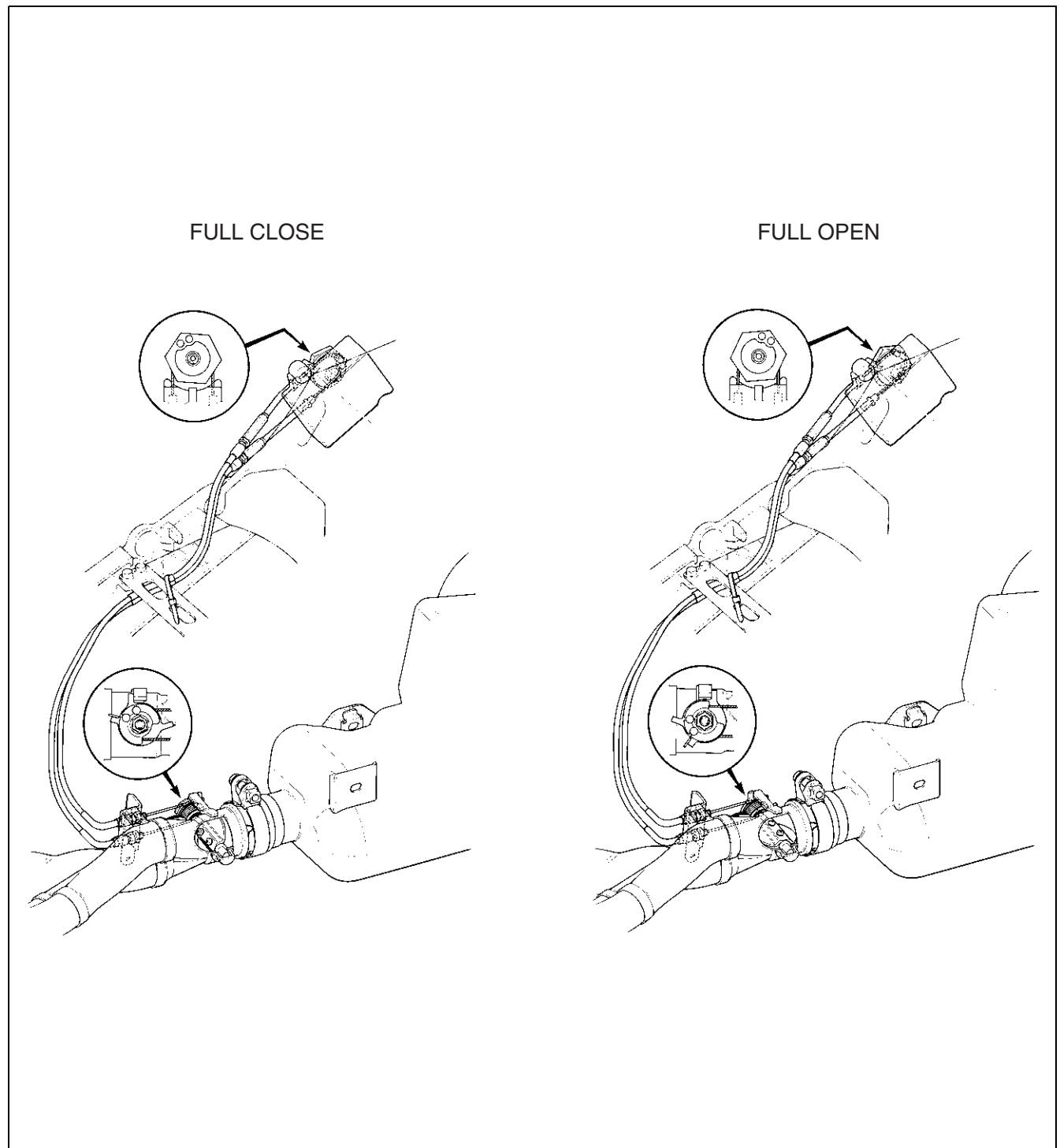
② Exhaust control valve (EXCV)

## OPERATION

The EXCS is operated by the signal supplied from the ECM.

The open/close operation of the EXCV is performed by the EXCVA which is controlled by the ECM by changing the current direction of the actuator motor. The position sensor (incorporated in the EXCVA) detects the EXCVA movement by measuring the voltage and then the ECM determines the EXCV opening angle based on the engine rpm and gear positions.

Every time the ignition switch is turned ON, the EXCVA automatically drives the EXCV and detects full close/open position voltages and sets the EXCV to middle position.



## EXCVA (EXHAUST CONTROL VALVE ACTUATOR) AND EXCV (EXHAUST CONTROL VALVE)

### EXCVA REMOVAL

- Turn the ignition switch OFF.
- Remove the frame cover. (☞ 8-8)
- Connect the special tool (Mode select switch) to the dealer mode coupler. (☞ 4-18)
- After turning the special tool's switch ON, turn the ignition switch ON.

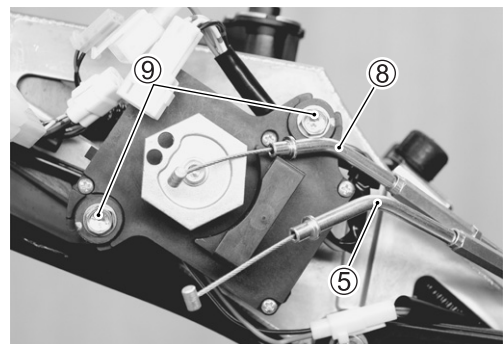
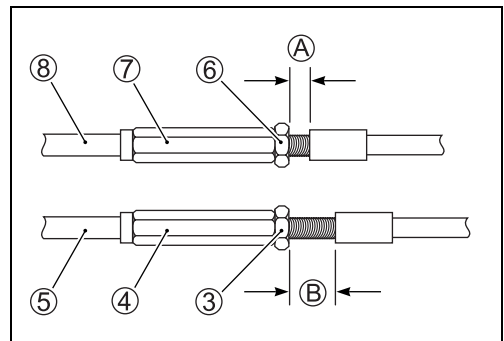
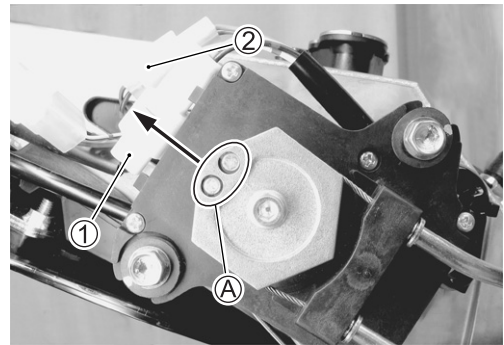
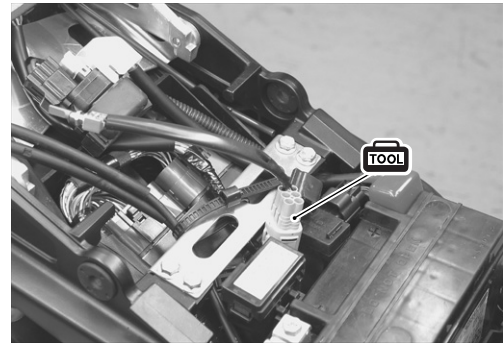
 **09930-82720: Mode select switch**

- Check the cable slots **A** of the EXCVA pulley facing rearward (adjustment position) as shown.
- Turn the ignition switch OFF.

#### CAUTION

**Before removing the EXCVA, be sure to set the EXCVA pulley to the adjustment position.**

- Disconnect the EXCVA lead wire couplers **1**, **2**.
- Measure the thread lengths **A** and **B**, before disconnecting the No.1 and No.2 cables.
- Loosen the lock-nut **3** on the No.2 cable **5** and turn in the cable adjuster **4** fully.
- Loosen the lock-nut **6** on the No.1 cable **8** and turn in the cable adjuster **7** fully.
- Disconnect the No.2 cable **5** and then No.1 cable **8** from the EXCVA pulley.
- Remove the EXCVA mounting bolts **9**.
- Remove the EXCVA.





- Hold the EXCVA pulley with an adjustable wrench, and loosen the pulley mounting bolt.

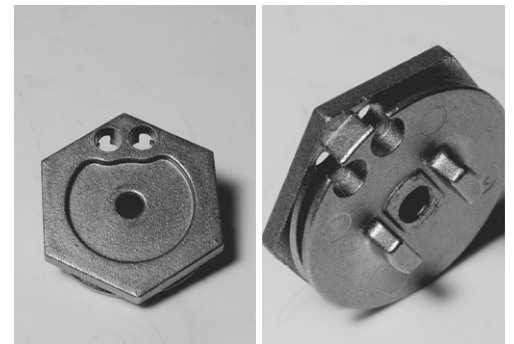
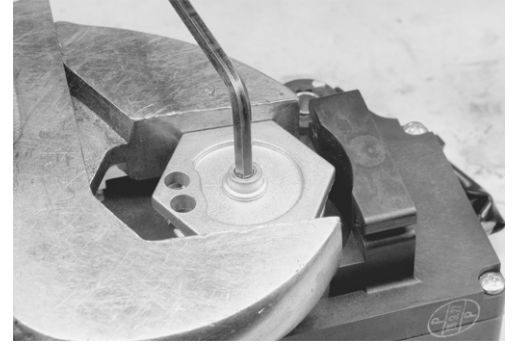
**CAUTION**

- \* When loosening or tightening the pulley bolt, be sure to fix the pulley with an adjustable wrench, or EXCVA may get damaged.
- \* Do not use the adjustable wrench to turn EXCVA pulley so as not to cause damage to the internal gear of EXCVA.

- Remove the EXCVA pulley from the EXCVA body.

**EXCVA PULLEY INSPECTION**

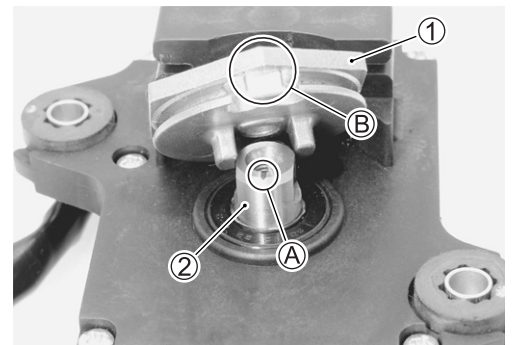
- Inspect the EXCVA pulley groove for wear and damage.
- If any defects are found, replace the EXCVA pulley with a new one.

**EXCVA INSTALLATION**

- Install the EXCVA pulley ① to the shaft ②.

**NOTE:**

Align the shaft's line (A) and cable slots (B) as shown.



- Hold the EXCVA pulley with an adjustable wrench, and then tighten the EXCVA pulley mounting bolt to the specified torque.


**🔧 EXCVA pulley mounting bolt: 5 N·m (0.5 kgf·m, 3.5 lb-ft)**

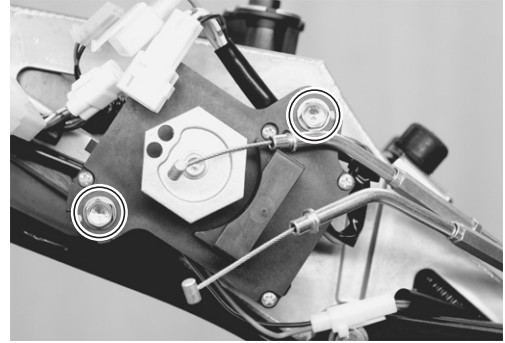
**CAUTION**

- When loosening or tightening the pulley bolt, be sure to fix the pulley with an adjustable wrench, or EXCVA may get damaged.



- Tighten the EXCVA mounting bolts to the specified torque.

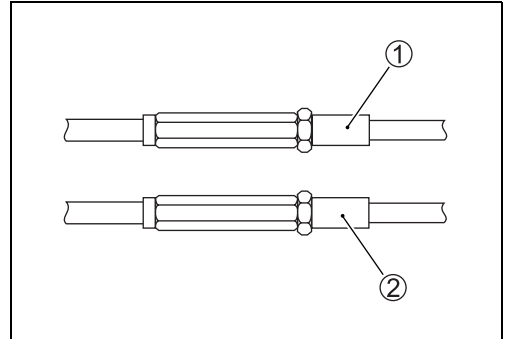
 **EXCVA mounting bolt: 6.0 N·m (0.6 kgf-m, 4.5 lb-ft)**



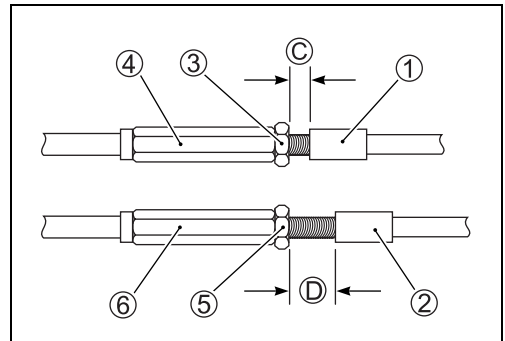
- Turn in the two cable adjusters fully.
- Connect the No.1 cable ① (01H0CL) and No.2 cable ② (01H0OP) to the EXCVA pulley.

No.1 cable: 01H0CL

No.2 cable: 01H0OP




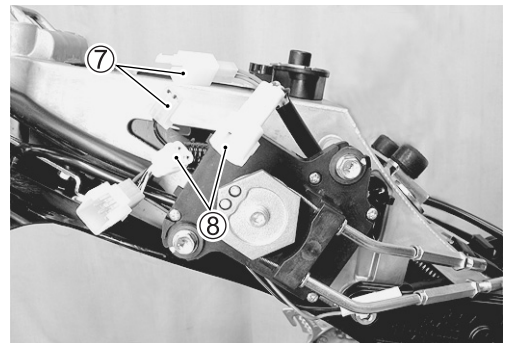
- After connecting the No.1 cable ①, loosen the lock-nut ③ and turn the adjuster ④ in or out until the thread length C becomes the measured value before disconnecting the No.1 cable ①.
- Tighten the lock-nut ③.
- After connecting the No.2 cable ②, loosen the lock-nut ⑤ and turn the adjuster ⑥ in or out until the thread length D becomes the measured value before disconnecting the No.2 cable.
- Tighten the lock-nut ⑤.



- Connect the EXCVA lead wire couplers ⑦, ⑧.

**CAUTION**


The cable slots of EXCVA pulley must be located adjustment position. ( 6-4)



**CAUTION**

If the EXCVA adjustment is necessary, refer to page 6-8 to -10 for EXCVA ADJUSTMENT setting procedure.

**EXCVA INSPECTION**

 4-91

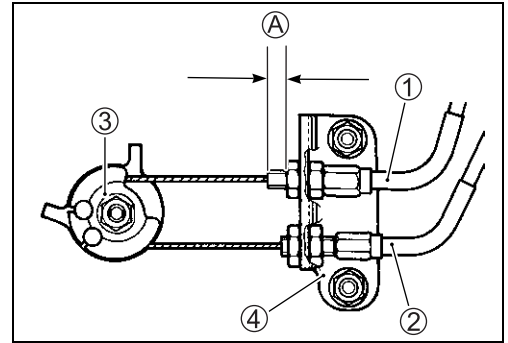
## EXCV CABLE REPLACEMENT

- Lift and support the fuel tank. (☞ 5-3)
- Check the EXCVA to adjustment position. (☞ 6-4)

### CAUTION

If the EXCVA adjustment is necessary, refer to page 6-8 to -10 for EXCVA ADJUSTMENT setting procedure.

- Disconnect the EXCV cables from the EXCVA pulley. (☞ 6-4)
- Measure the thread length **A** before disconnecting the No.1 cable.
- Disconnect the EXCV cables **①** and **②** from the EXCV pulley **③** and bracket **④**.

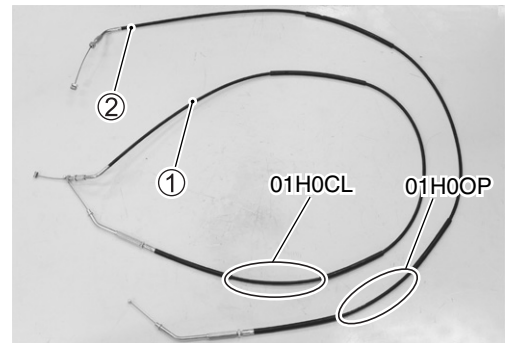


### NOTE:

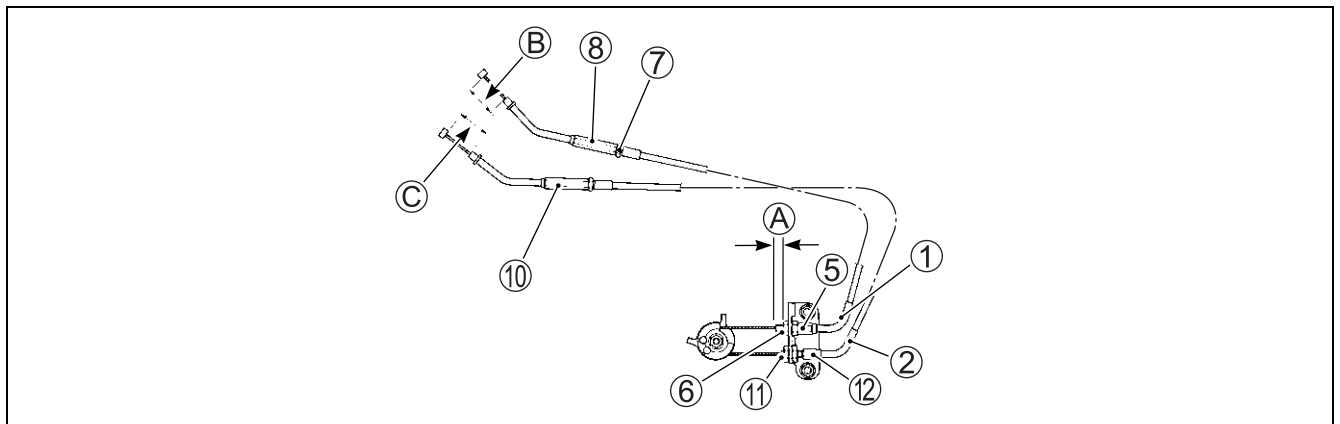
The EXCV cables are identified by the letters and shape.

No.1 cable **①**: 01H0CL

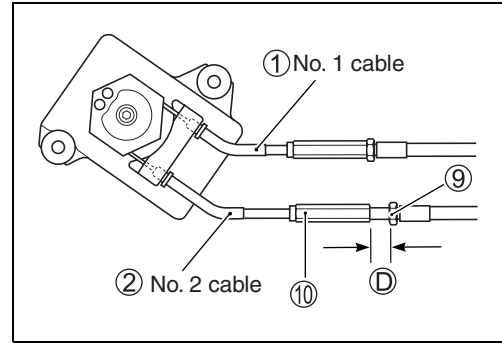
No.2 cable **②**: 01H0OP



- Connect the EXCV cables (**①** and **②**) temporarily to the EXCV pulley.
- Turn the adjuster **⑤** in or out and adjust the thread length **A** becomes the measured value before disconnecting the No.1 cable.
- Tighten the lock-nut **⑥**.
- After adjusting the thread length **A**, adjust the inner cable length **B** becomes 41.0 – 42.0 mm (1.61 – 1.65 in) by turning the adjuster **⑧**.
- Tighten the lock-nut **⑦**.
- Turn in the No.2 cable adjuster **⑩** fully.
- Loosen the lock-nuts **⑪** and turn the No.2 cable adjuster **⑫** in or out until the inner cable length **C** becomes 60.0 – 61.0 mm (2.36 – 2.40 in).
- After adjusting the inner cable length **C**, tighten the lock-nuts **⑪**.



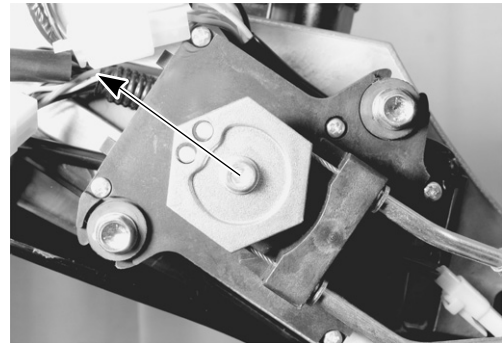
- Connect the No.1 cable ① and No.2 cable ② to the EXCVA pulley.
- Loosen the lock-nut ⑨ and turn the No.2 cable adjuster ⑩ in or out until the thread length ① becomes 11.0 – 12.0 mm (0.43 – 0.47 in).
- tighten the lock-nut ⑨.



## EXCVA ADJUSTMENT

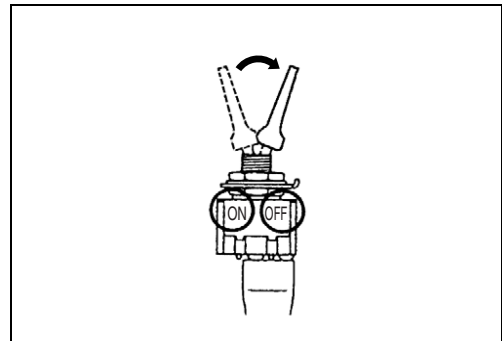
### 1st step:

- Set the EXCVA to adjustment position. (☞ 6-4)
- Make sure that the No.1 cable and No.2 cable are fixed with a clamp.



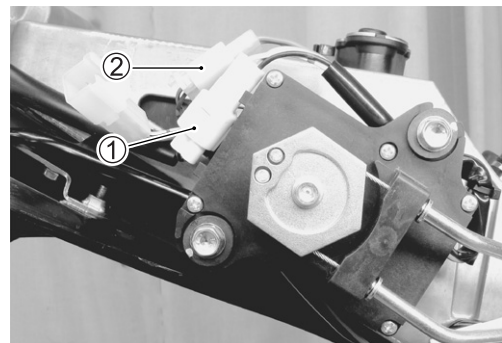
### 2nd step:

- Turn the mode select switch OFF.
- Turn the ignition switch ON to check the EXCVA operation.
- Turn the mode select switch ON.
- If C46 is not indicated on the LCD (DISPLAY), the adjustment is correctly completed. In this case, it is unnecessary to proceed to 3rd step.
- If C46 is indicated, repeat the adjustment procedure from 3rd and 4th step.



### 3rd step:

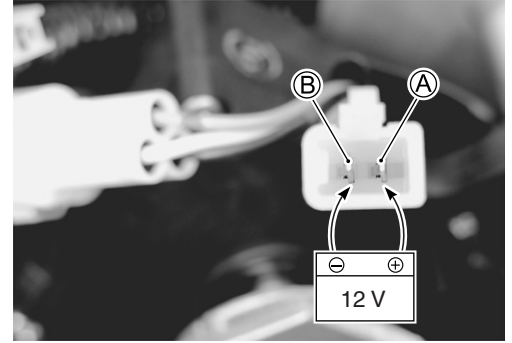
- This procedure is only required when C46 is indicated.
- Turn the ignition switch OFF.
- Insert the needle pointed probes into the backside of the position sensor lead wire coupler ①.
- Disconnect the EXCVA motor lead wire coupler ②.



- To set the EXCV to fully close position, apply 12 V to ① and ② terminals.  
 Battery ⊕ terminal— ① (Pink lead wire) terminal  
 Battery ⊖ terminal— ② (Gray lead wire) terminal

**CAUTION**

To prevent the motor damage, stop applying 12 V as soon as the EXCV reaches fully close position.



- Turn the ignition switch ON.
- Measure the position sensor output voltage at fully close position.

**DATA** Position sensor output voltage

EXCV is fully close:  $0.5 \leq \text{output voltage} \leq 1.3 \text{ (V)}$   
 (⊕ Yellow – ⊖ B/Br)

**TOOL** 09900-25008: Multi circuit tester set  
 09900-25009: Needle pointed probe set

**V** Tester knob indication: Voltage (---)

If the measured voltage is less than specification, adjust the No.1 cable adjuster as follows:

- Set the EXCVA to adjustment position. (→ 6-4)

**CAUTION**

Adjusting the No.1 cable with the EXCV fully closed can damage the EXCVA. Be sure to adjust the No.1 cable with the EXCV set in adjustment position.

- Turn out the No.1 cable adjuster ③.
- Repeat the above procedure until the output voltage becomes specified value.

**DATA** Position sensor output voltage

EXCV is fully close:  $0.5 \leq \text{output voltage} \leq 1.3 \text{ (V)}$

- To next step.

**NOTE:**

If C46 code is indicated after adjusting the voltage, increase the voltage to 0.9 V.

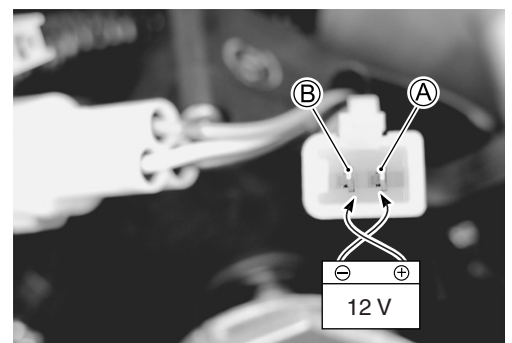
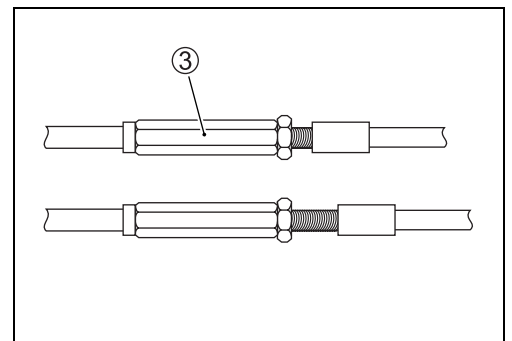
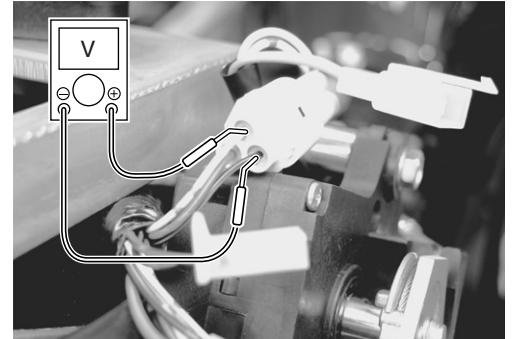
**4th step:**

To set the EXCV to fully open position, apply 12 V to ① and ② terminals.

- Battery ⊕ terminal— ② (Gray lead wire) terminal
- Battery ⊖ terminal— ① (Pink lead wire) terminal

**CAUTION**

To prevent the motor damage, stop applying 12 V as soon as the EXCV reaches fully open position.

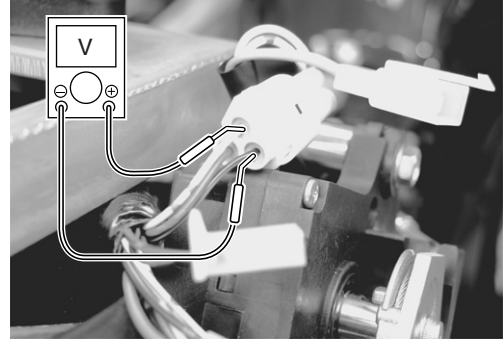




Measure the position sensor output voltage at fully open position.

**DATA** Position sensor output voltage

EXCV is fully open:  $3.7 \leq \text{output voltage} \leq 4.5 \text{ (V)}$   
 (+ Yellow – B/Br)



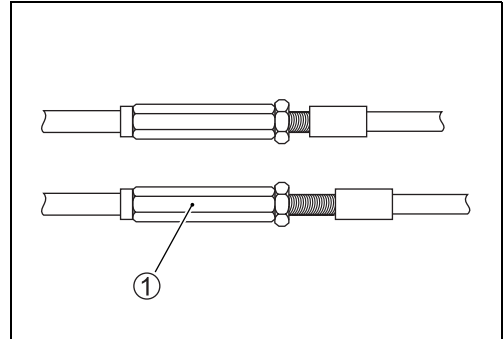
If the measured voltage is more than specification, adjust the No.2 cable adjuster as follows:

- Set the EXCVA to adjustment position. (↗ 6-4)

**CAUTION**

Adjusting the No.2 cable with the EXCV fully opened can damage the EXCVA. Be sure to adjust the No.2 cable with the EXCV set in adjustment position.

- Turn out the No.2 cable adjuster ①.
- Repeat the above procedure until the output voltage comes within the specified value.



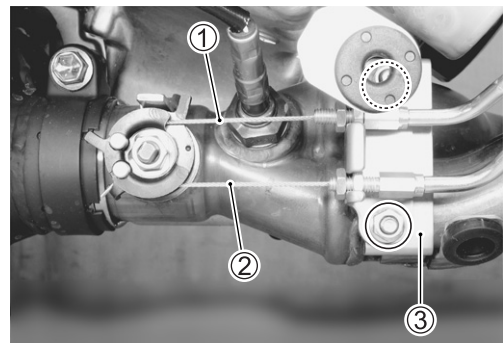
**DATA** Position sensor output voltage

EXCV is fully open:  $3.7 \leq \text{output voltage} \leq 4.5 \text{ (V)}$

- After adjusting the EXCV cables, perform 2nd step to confirm C46 is not indicated.

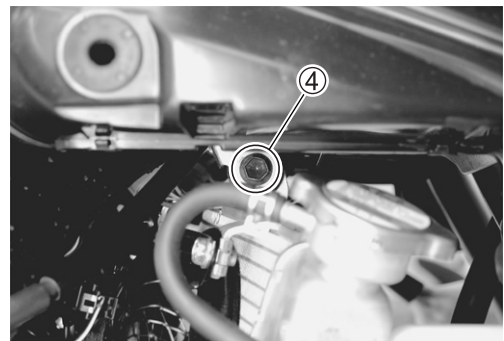
## EXCV/EXHAUST PIPE, MUFFLER REMOVAL

- Remove the frame cover. (↗ 8-8)
  - Remove the under cowling. (↗ 8-5)
  - Lift and support the fuel tank. (↗ 5-3)
  - Remove the EXCV cables ①, ② from the EXCV pulley.
  - Remove the EXCV cable bracket ③.
- 
- Disconnect the HO<sub>2</sub> sensor lead wire coupler. (↗ 4-107)
  - Remove the HO<sub>2</sub> sensor. (↗ 4-107)
  - Remove the radiator mounting bolts ④.
  - Move the radiator forward.

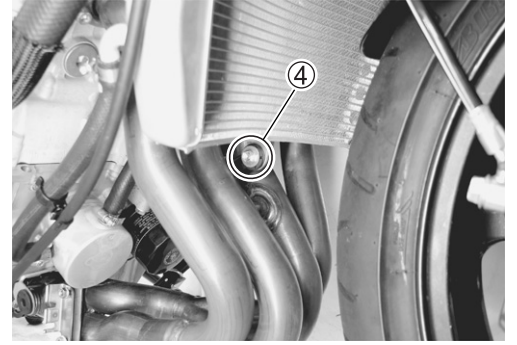
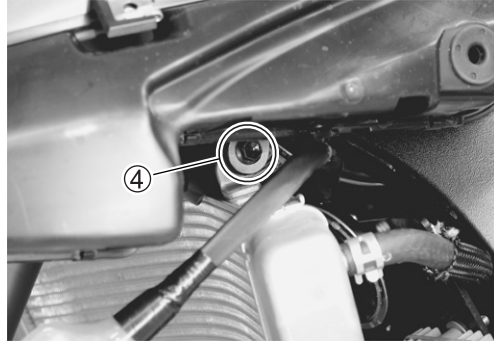


**CAUTION**

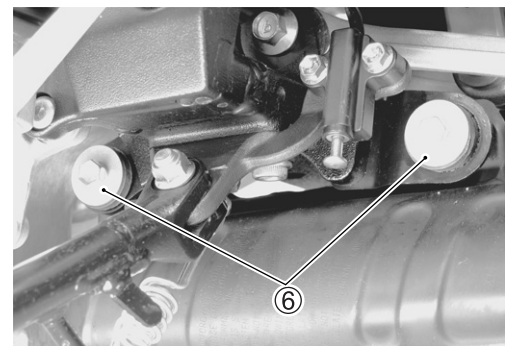
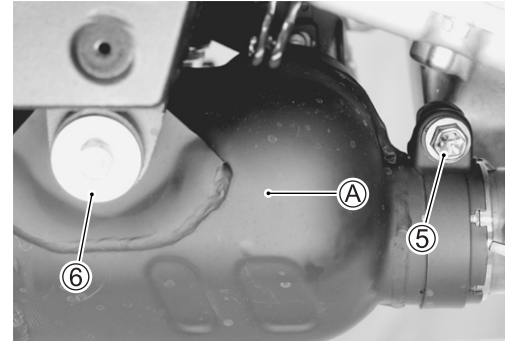
Be careful not to bent the radiator fin.







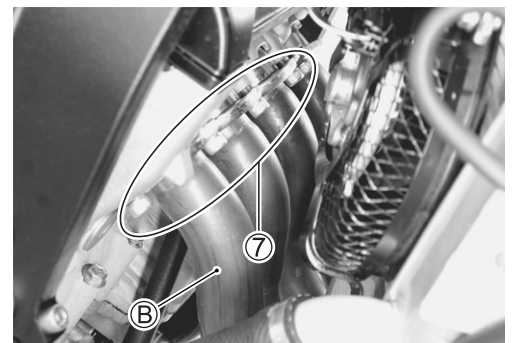
- Loosen the exhaust pipe connector bolt ⑤.
- Remove the muffler mounting bolts ⑥.



- Loosen the exhaust pipe bolts ⑦.
- Remove the muffler body ①.
- Remove the exhaust pipe bolts ⑦.
- Remove the exhaust pipe ②.

**NOTE:**

*When an exhaust pipe separates, not to throw or drop, have by hand and remove carefully.*

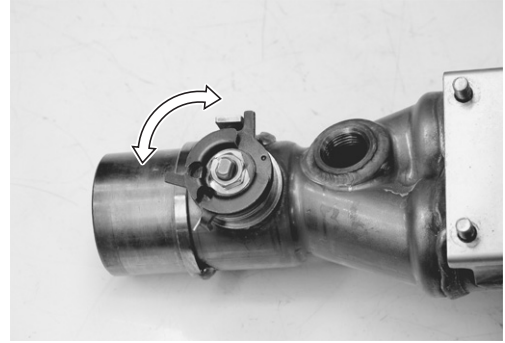


## EXCV INSPECTION

- Turn the EXCV by hand and check that it moves smoothly.
- If it does not move smoothly, replace the EXCV together with the exhaust pipe.
- Decarbonize the EXCV if necessary.

### CAUTION

- \* Do not attempt to disassemble the EXCV.
- \* The EXCV is available only as the exhaust pipe assembly.



## EXCV/EXHAUST PIPE, MUFFLER INSTALLATION

Install the exhaust pipe and muffler in the reverse order of removal. Pay attention to the following points.

- Tighten the exhaust pipe bolts to the specified torque.

 Exhaust pipe bolt: 23 N·m (2.3 kgf·m, 16.5 lb·ft)

### CAUTION

Replace the gaskets and exhaust pipe connector with the new ones.

- Tighten the muffler mounting bolts and exhaust pipe connector bolt to the specified torque.

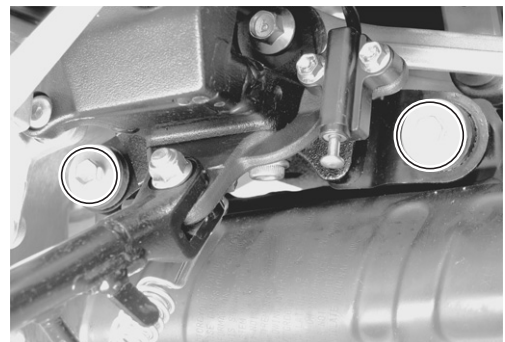
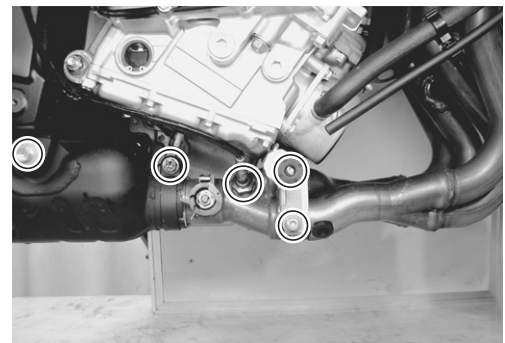
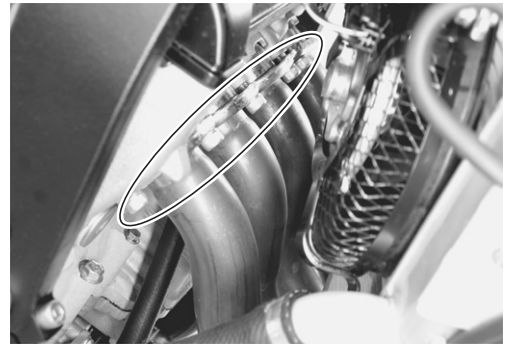
 Exhaust pipe connector bolt: 23 N·m (2.3kgf·m, 16.5 lb·ft)  
Muffler mounting bolt: 23 N·m (2.3 kgf·m, 16.5 lb·ft)

- Tighten the EXCV cable bracket to the specified torque.


 EXCV cable bracket: 10 N·m (1.0 kgf·m, 7.0 lb·ft)

- Tighten the HO<sub>2</sub> sensor to the specified torque.

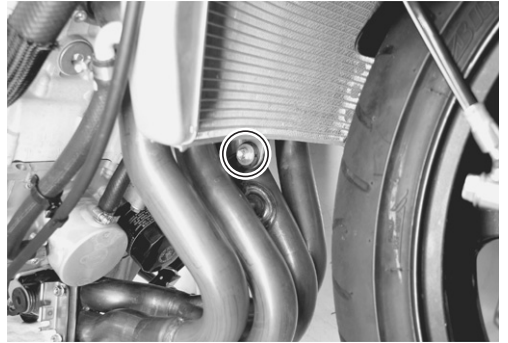
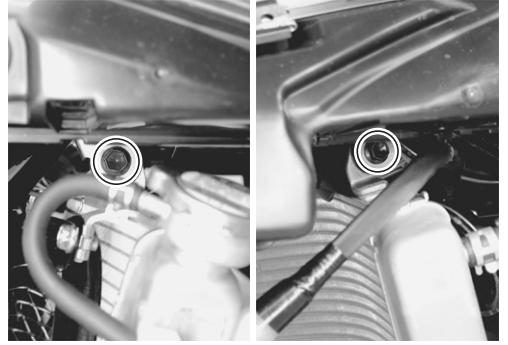
 HO<sub>2</sub> sensor: 48 N·m (4.8 kgf·m, 35.0 lb·ft)



- Tighten the radiator mounting bolts to the specified torque.

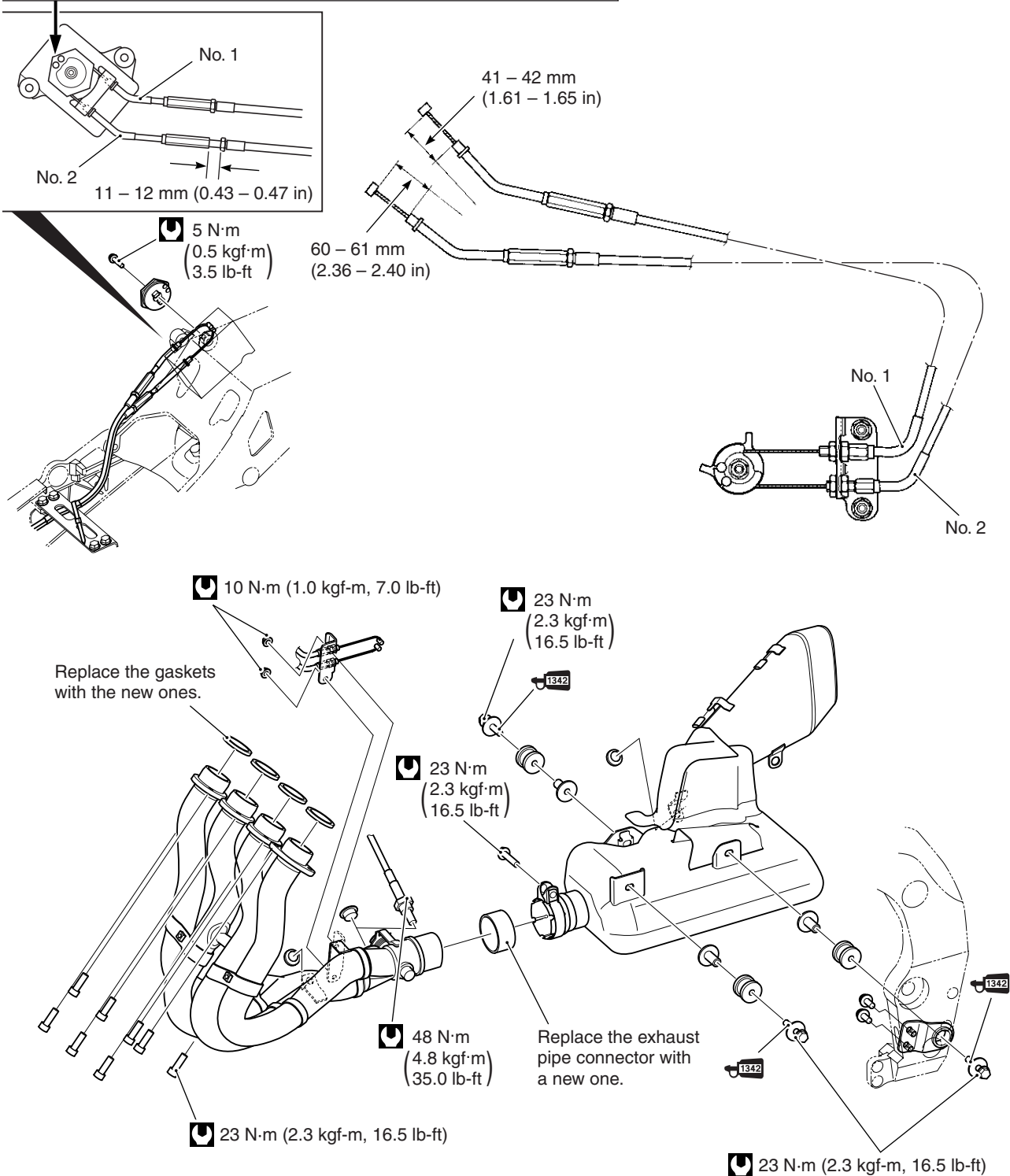
 **Radiator mounting bolt: 10 N·m (1.0 kgf-m, 7.0 lb-ft)**

- Install the EXCV cables. ( 6-7)



**CAUTION**

- \* When adjusting the No. 1 and No. 2 cables, the cable slots of EXCVA pulley must be located to adjustment position.
- \* Do not use the adjustable wrench to turn EXCVA pulley so as not to cause damage to the internal gear of EXCVA.



# COOLING AND LUBRICATION SYSTEM

## CONTENTS

<b>ENGINE COOLANT</b> .....	7- 2
<b>COOLING CIRCUIT</b> .....	7- 3
<b>COOLING CIRCUIT INSPECTION</b> .....	7- 3
<b>RADIATOR AND WATER HOSES</b> .....	7- 4
<b>RADIATOR REMOVAL</b> .....	7- 4
<b>RADIATOR CAP INSPECTION</b> .....	7- 4
<b>RADIATOR INSPECTION AND CLEANING</b> .....	7- 4
<b>RADIATOR INSTALLATION</b> .....	7- 5
<b>WATER HOSE INSPECTION</b> .....	7- 5
<b>COOLING FAN</b> .....	7- 6
<b>REMOVAL</b> .....	7- 6
<b>INSPECTION</b> .....	7- 6
<b>INSTALLATION</b> .....	7- 6
<b>COOLING FAN RELAY INSPECTION</b> .....	7- 7
<b>ECT SENSOR</b> .....	7- 7
<b>REMOVAL</b> .....	7- 7
<b>INSPECTION</b> .....	7- 7
<b>INSTALLATION</b> .....	7- 8
<b>THERMOSTAT</b> .....	7- 9
<b>REMOVAL</b> .....	7- 9
<b>INSPECTION</b> .....	7- 9
<b>INSTALLATION</b> .....	7-10
<b>WATER PUMP</b> .....	7-11
<b>REMOVAL AND DISASSEMBLY</b> .....	7-11
<b>INSPECTION</b> .....	7-13
<b>REASSEMBLY AND INSTALLATION</b> .....	7-14
<b>LUBRICATION SYSTEM</b> .....	7-17
<b>OIL COOLER</b> .....	7-17
<b>OIL PRESSURE</b> .....	7-18
<b>OIL FILTER</b> .....	7-18
<b>OIL PRESSURE REGULATOR</b> .....	7-18
<b>OIL STRAINER</b> .....	7-18
<b>OIL JET</b> .....	7-18
<b>OIL PUMP</b> .....	7-18
<b>OIL PRESSURE SWITCH</b> .....	7-18
<b>ENGINE LUBRICATION SYSTEM CHART</b> .....	7-19
<b>ENGINE LUBRICATION SYSTEM</b> .....	7-20

## ENGINE COOLANT

At the time of manufacture, the cooling system is filled with a 50:50 mixture of distilled water and ethylene glycol anti-freeze. This 50:50 mixture will provide the optimum corrosion protection and excellent heat protection, and will protect the cooling system from freezing at temperatures above  $-31\text{ }^{\circ}\text{C}$  ( $-24\text{ }^{\circ}\text{F}$ ).

If the motorcycle is to be exposed to temperatures below  $-31\text{ }^{\circ}\text{C}$  ( $-24\text{ }^{\circ}\text{F}$ ), this mixing ratio should be increased up to 55% or 60% according to the figure.

Anti-freeze density	Freezing point
50%	$-30\text{ }^{\circ}\text{C}$ ( $-24\text{ }^{\circ}\text{F}$ )
55%	$-40\text{ }^{\circ}\text{C}$ ( $-44\text{ }^{\circ}\text{F}$ )
60%	$-55\text{ }^{\circ}\text{C}$ ( $-67\text{ }^{\circ}\text{F}$ )

### CAUTION

- \* Use a high quality ethylene glycol base anti-freeze, mixed with distilled water. Do not mix an alcohol base anti-freeze and different brands of anti-freeze.
- \* Do not put in 60% and more anti-freeze or 50% and less. (Refer to below figure.)
- \* Do not use a radiator anti-leak additive.

50% Engine coolant including reserve tank capacity

Anti-freeze	1 350 ml (2.9/2.4 US/Imp.pt)
Water	1 350 ml (2.9/2.4 US/Imp.pt)

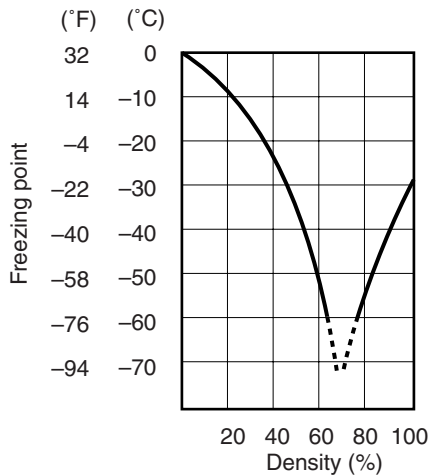


Fig. 1 Engine coolant density-freezing point curve

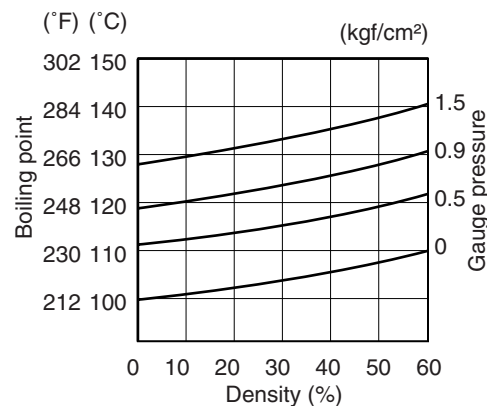


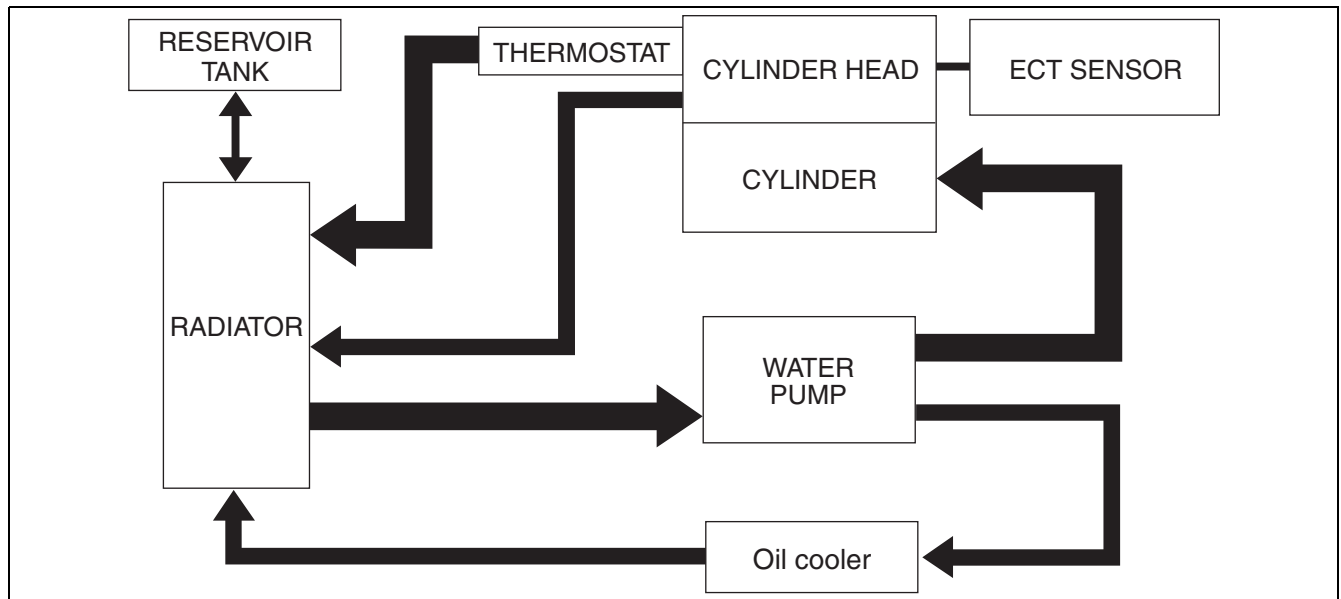
Fig. 2 Engine coolant density-boiling point curve

### WARNING

- \* You can be injured by scalding fluid or steam if you open the radiator cap when the engine is hot. After the engine cools, wrap a thick cloth around cap and carefully remove the cap by turning it a quarter turn to allow pressure to escape and then turn the cap all the way off.
- \* The engine must be cool before servicing the cooling system.
- \* Coolant is harmful;
  - If it comes in contact with skin or eyes, flush with water.
  - If swallowed accidentally, induce vomiting and call physician immediately.
  - Keep it away from children.



## COOLING CIRCUIT



## COOLING CIRCUIT INSPECTION

Before removing the radiator and draining the engine coolant, inspect the cooling circuit for tightness.

- Remove the right under cowling. (☞ 8-5)
- Remove the radiator cap ① and connect the tester ② to the filler.

### ⚠ WARNING

**Do not remove the radiator cap when the engine is hot.**

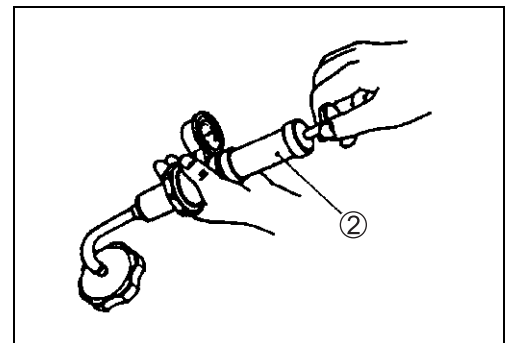
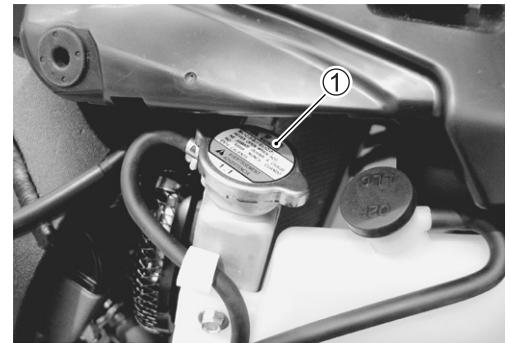
- Give a pressure of about 120 kPa (1.2 kgf/cm<sup>2</sup>, 17 psi) and see if the system holds this pressure for 10 seconds.
- If the pressure should fall during this 10-second interval, it means that there is a leaking point in the system. In such a case, inspect the entire system and replace the leaking component or part.

### ⚠ WARNING

**When removing the radiator cap tester, put a rag on the filler to prevent spouting of engine coolant.**

### CAUTION

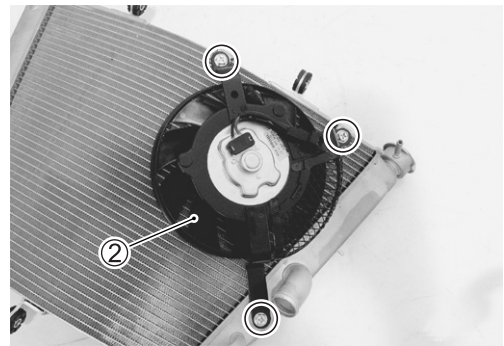
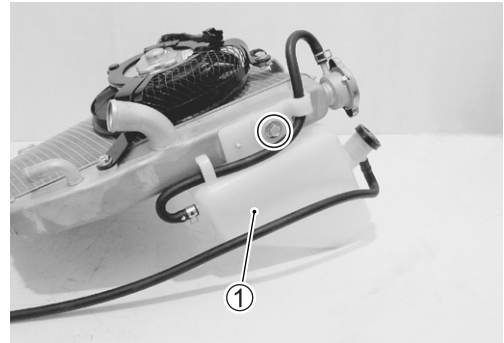
**Do not allow the pressure to exceed the radiator cap release pressure, or the radiator can be damaged.**



## RADIATOR AND WATER HOSES

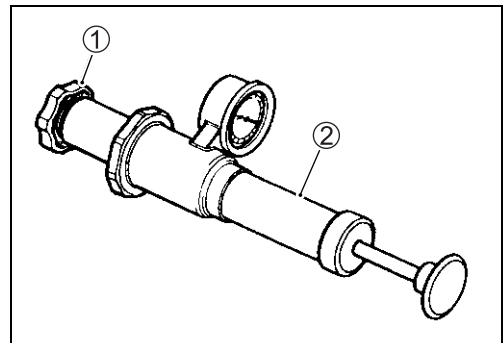
### RADIATOR REMOVAL

- Remove the under cowlings. (☞ 8-5)
- Drain the engine coolant. (☞ 2-17)
- Remove the radiator assembly. (☞ 3-4)
- Remove the reservoir tank ①, cooling fan ② from the radiator.



### RADIATOR CAP INSPECTION

- Fit the cap ① to the radiator cap tester ②.
- Build up pressure slowly by operating the tester. Make sure that the pressure build-up stops at 93 – 123 kPa (0.93 – 1.23 kgf/cm<sup>2</sup>, 13.2 – 17.5 psi) and that, with the tester held standstill, the cap is capable of holding that pressure for at least 10 seconds.
- Replace the cap if it is found not to satisfy either of these two requirements.



#### **DATA** Radiator cap valve opening pressure

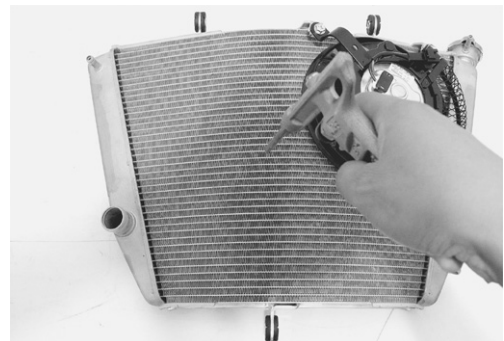
**Standard: 108 – 137 kPa**

**(1.1 – 1.4 kgf/cm<sup>2</sup>, 15.4 – 19.5 psi)**

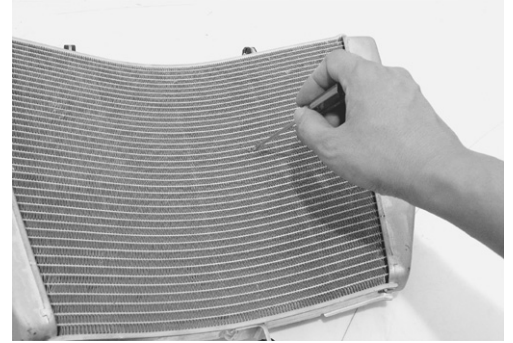
### RADIATOR INSPECTION AND CLEANING

Road dirt or trash stuck on the fins must be removed.

Use of compressed air is recommended for this cleaning.



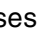


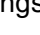
Fins bent down or dented can be repaired by straightening them with the blade of a small screwdriver.




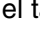
## RADIATOR INSTALLATION

- Install the cooling fan.

 **Cooling fan mounting bolt: 8 N-m (0.8 kgf-m, 6.0 lb-ft)**

- Install the radiator.
- Route the radiator hoses properly. ( 10-24)
- Pour engine coolant. ( 2-17)
- Bleed air from the cooling circuit. ( 2-18)
- Install the under cowlings. ( 8-5)

## WATER HOSE INSPECTION

- Remove the under cowlings. ( 8-5)
- Lift and support the fuel tank. ( 5-3)

Any water hose found in a cracked condition or flattened must be replaced.

Any leakage from the connecting section should be corrected by proper tightening.

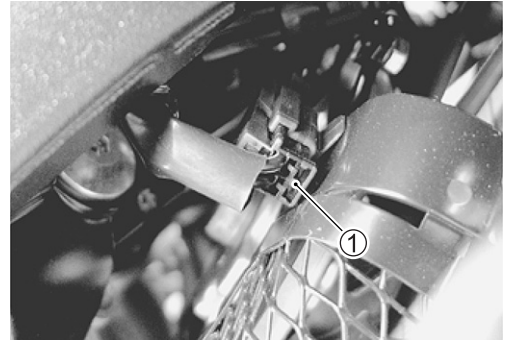


## COOLING FAN REMOVAL

(☞7-4)

### INSPECTION

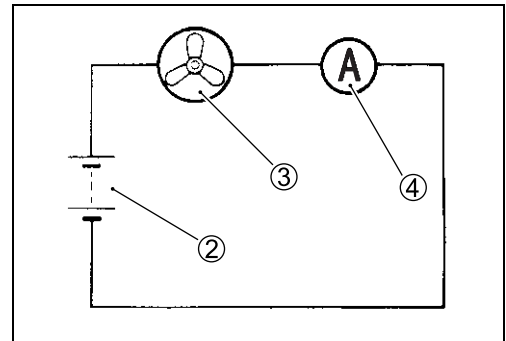
- Remove the right under cowling. (☞8-5)
- Disconnect the cooling fan coupler ①.
- Test the cooling fan motor for load current with an ammeter connected as shown in the illustration.



- The voltmeter is for making sure that the battery ② applies 12 V to the cooling fan motor ③. With the cooling fan motor with electric motor fan running at full speed, the ammeter ④ should be indicating not 5 A and more.
- If the fan motor does not turn, replace the motor assembly with a new one.

**NOTE:**

When making above test, it is not necessary to remove the cooling fan.



### INSTALLATION

(☞7-5)

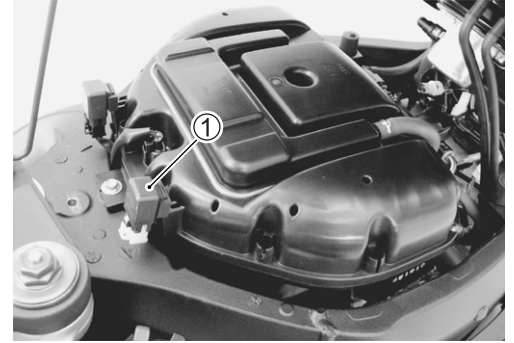
## COOLING FAN RELAY INSPECTION

Cooling fan relay is located on the air cleaner box (left side one).

- Lift and support the fuel tank. (☞ 8-3)
- Remove the cooling fan relay ①.

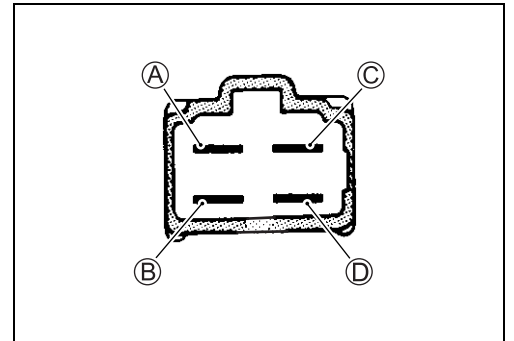
First check the insulation between ① and ② terminals with tester. Then apply 12 V to ③ and ④ terminals, ⊕ to ③ and ⊖ to ④, and check the continuity between ① and ②.

If there is no continuity, replace it with a new one.



**TOOL** 09900-25008: Multi-circuit tester set

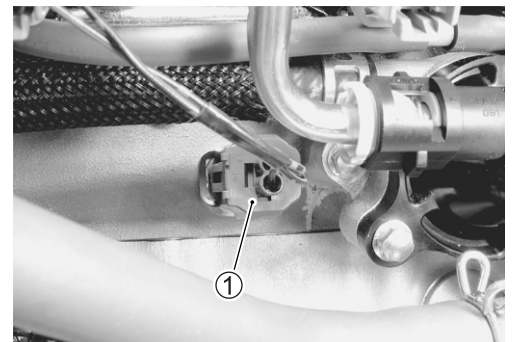
**Tester knob indication: Continuity test (•••••)**



## ECT SENSOR

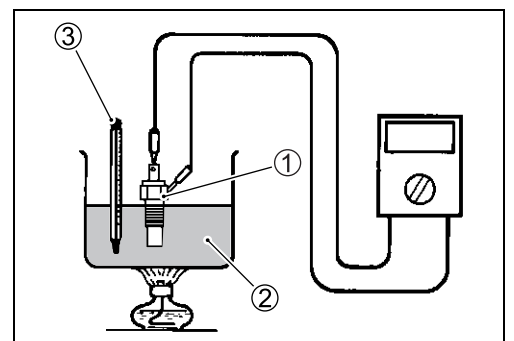
### REMOVAL

- Keep the motorcycle upright.
- Lift and support the fuel tank. (☞ 5-3)
- Disconnect the ECT sensor coupler ①.
- Place a rag under the ECT sensor and remove the ECT sensor.



### INSPECTION

- Check the ECT sensor by testing it at the bench as shown in the figure. Connect the ECT sensor ① to a circuit tester and place it in the oil ② contained in a pan, which is placed on a stove.
- Heat the oil to raise its temperature slowly and read the column thermometer ③ and the ohmmeter.



- If the ECT sensor ohmic value does not change in the proportion indicated, replace it with a new one.

**DATA** Temperature sensor specification

Temperature	Standard resistance
20 °C (68 °F)	Approx. 2.45 kΩ
50 °C (122 °F)	Approx. 0.811 kΩ
80 °C (176 °F)	Approx. 0.318 kΩ
110 °C (230 °F)	Approx. 0.142 kΩ

**DATA** Cooling fan operating temperature:

**Standard (OFF→ON):** Approx. 105 °C (221 °F)  
**(ON→OFF):** Approx. 100 °C (212 °F)

**NOTE:**

As coolant temperature rises, the cooling fan operates for 5 seconds when the temperature arrives each at 50 °C (122 °F), 70 °C (158 °F) and 90 °C (194 °F)/above 4 000 r/min.

If the resistance is noted to show infinity or too much different resistance value, replace the ECT sensor with a new one.

**CAUTION**

- \* Take special care when handling the ECT sensor. It may cause damage if it gets a sharp impact.
- \* Do not contact the ECT sensor and the column thermometer with a pan.

**INSTALLATION**

- Tighten the ECT sensor to the specified torque.

**ECT sensor: 18 N·m (1.8 kgf-m, 13.0 lb-ft)****CAUTION**

**Take special care when handling the ECT sensor. It may cause damage if it gets a sharp impact.**

- Install the fuel tank. (☞ 5-4)
- Install the front seat.
- Pour engine coolant. (☞ 2-17)

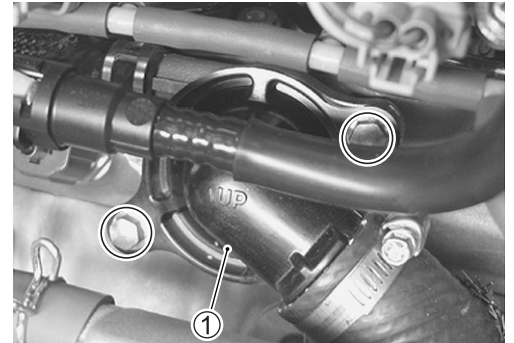




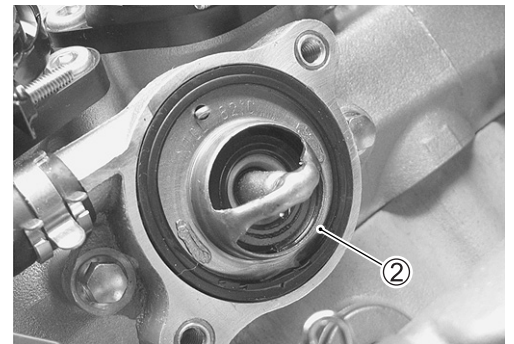
## THERMOSTAT

### REMOVAL

- Drain engine coolant. (☞ 2-17)
- Lift and support the fuel tank. (☞ 5-3)
- Place a rag under the thermostat cover.
- Remove the thermostat cover ①.



- Remove the thermostat ②.

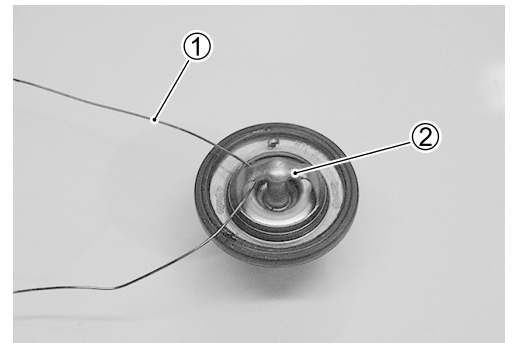


### INSPECTION

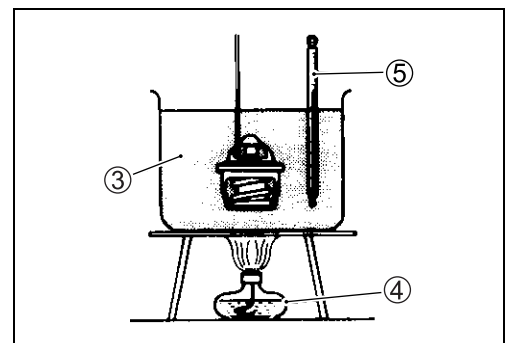
Inspect the thermostat pellet for signs of cracking.

Test the thermostat at the bench for control action, in the following manner.

- Pass a string ① between flange ② of thermostat, as shown.
- Immerse the thermostat in the water contained in a beaker, as shown in the illustration. Note that the immersed thermostat is in suspension. Heat the water ③ by placing the beaker on a stove ④ and observe the rising temperature on a thermometer ⑤.
- Read the thermometer just when opening the thermostat. This reading, which is the temperature level at which the thermostat valve begins to open, should satisfy the standard value.



**DATA** Thermostat valve opening temperature  
Standard: Approx. 82 °C (180 °F)



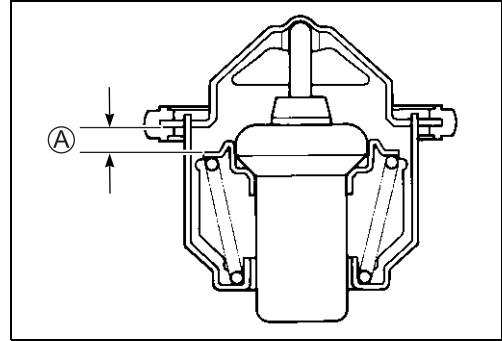
- Keep on heating the water to raise its temperature.
- Just when the water temperature reaches specified value, the thermostat valve should have lifted by at least 8 mm (0.31 in).

**DATA** Thermostat valve lift (A)

**Standard:**

**8.0 mm and over at 95 °C (0.31 in and over at 203 °F)**

- A thermostat failing to satisfy either of the two requirements (start-to-open temperature and valve lift) must be replaced.

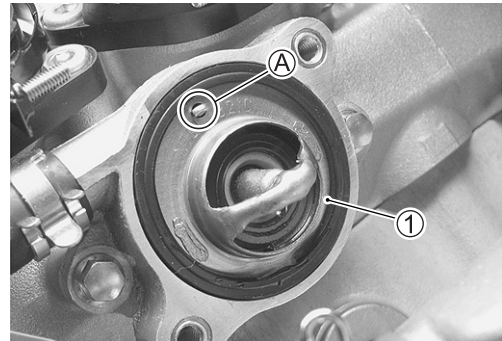


## INSTALLATION

- Install the thermostat ①.

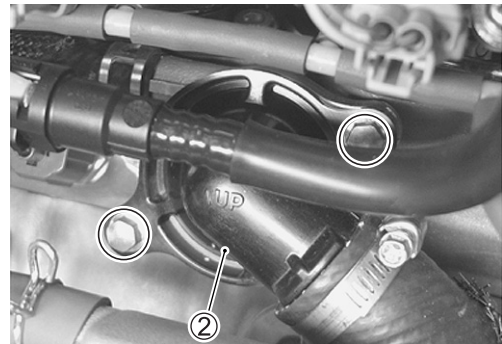
**NOTE:**

The jiggle valve (A) of the thermostat faces upside.



- Install the thermostat cover ②.
- Tighten the thermostat cover bolts to the specified torque.

**🔧** Thermostat cover bolt: 10 N·m (1.0 kgf·m, 7.0 lb-ft)



- Install the fuel tank. (🔧 5-4)
- Install the front seat.
- Pour engine coolant. (🔧 2-17)

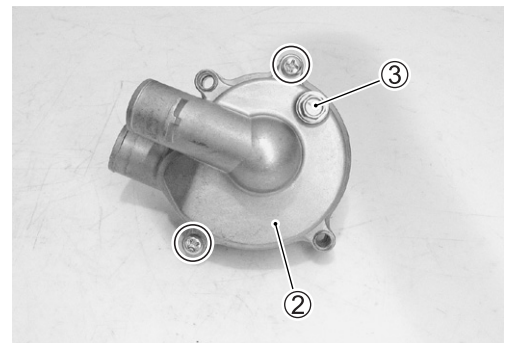
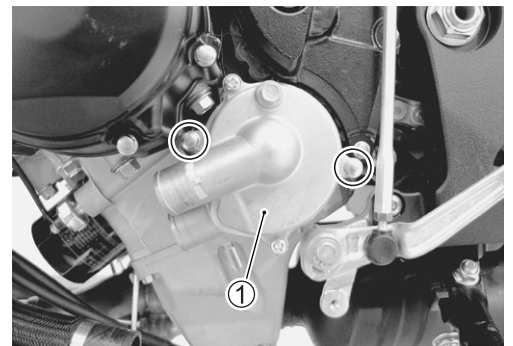
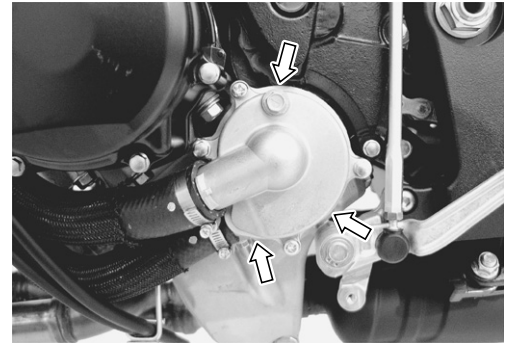
## WATER PUMP

### REMOVAL AND DISASSEMBLY

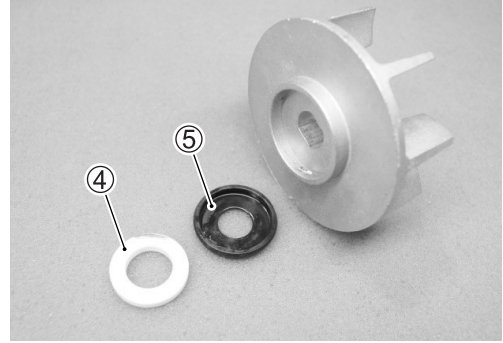
#### NOTE:

Before draining engine oil and engine coolant, inspect engine oil and coolant leakage between the water pump and crankcase. If engine oil is leaking, visually inspect the oil seal and O-ring. If engine coolant is leaking, visually inspect the mechanical seal and seal washer. (☞ 7-13)

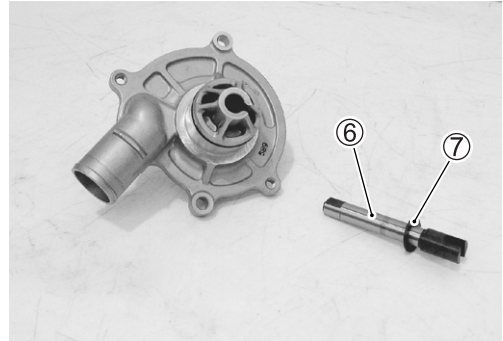
- Remove the under cowlings. (☞ 8-5)
- Drain the engine coolant. (☞ 2-17)
- Drain the engine oil. (☞ 2-12)
- Remove the water pump assembly ①.
- Remove the water pump cover ② and air bleeder plug ③.
- Remove the impeller securing bolt by holding the impeller with a pliers.



- Remove the mechanical seal ring ④ and rubber seal ⑤ from the impeller.



- Remove the impeller shaft ⑥ and washer ⑦.



- Remove the mechanical seal with the special tool.

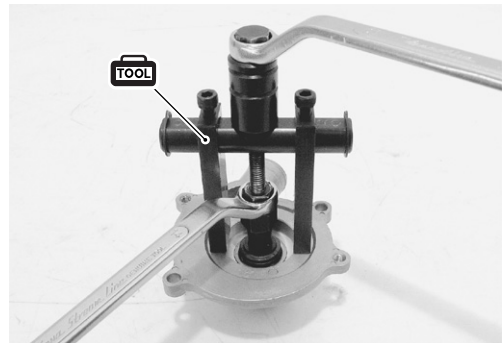
**TOOL** 09921-20240: Bearing remover set (12 mm)

**NOTE:**

*If there is no abnormal condition, the mechanical seal removal is not necessary.*

**CAUTION**

**The removed mechanical seal must be replaced with a new one.**



- Remove the oil seal using a suitable bar.

**NOTE:**

*If there is no abnormal condition, the oil seal removal is not necessary.*

**CAUTION**

**The removed oil seal must be replaced with a new one.**



## INSPECTION

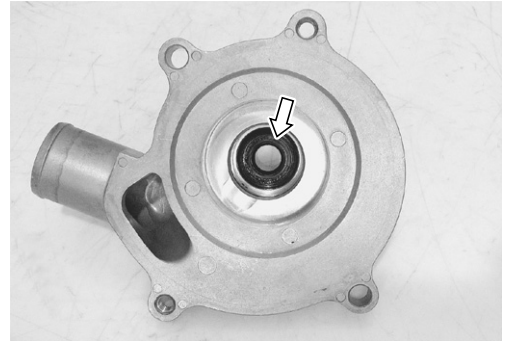
### MECHANICAL SEAL

- Visually inspect the mechanical seal for damage, with particular attention given to the sealing face.
- Replace the mechanical seal that shows indications of leakage. Also replace the seal ring if necessary.



### OIL SEAL

- Visually inspect the oil seal for damage, with particular attention given to the lip.
- Replace the oil seal that shows indications of leakage.



### IMPELLER SHAFT JOURNAL

- Visually inspect the journal for damage or scratch.
- Replace the water pump body if necessary.



### SEAL WASHER

- Visually inspect the seal washer for damage, with particular attention given to the sealing face.
- Replace the seal washer that shows indications of leakage.





## REASSEMBLY AND INSTALLATION

- Install the oil seal with the special tool.

 **09913-70210: Bearing installer set ( $\phi 22$ )**

**NOTE:**


*The stamped mark on the oil seal faces mechanical seal side.*

- Apply a small quantity of the SUZUKI SUPER GREASE “A” to the oil seal lip.

 **99000-25010: SUZUKI SUPER GREASE “A”**  
(or equivalent grease)

- Install the new mechanical seal using a suitable size socket wrench.

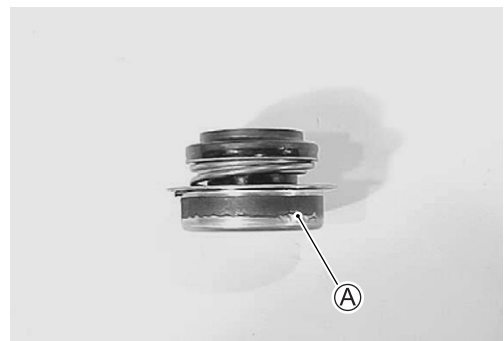
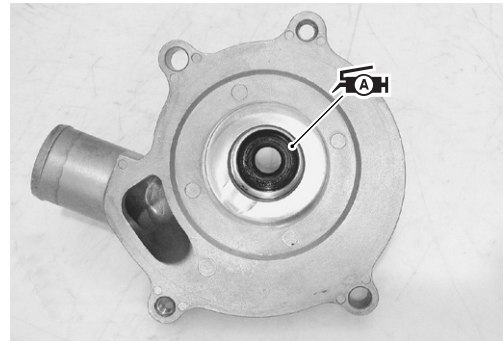
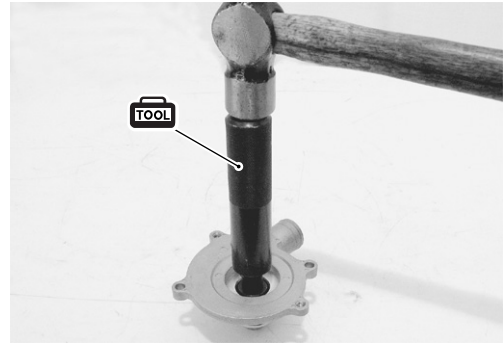
**NOTE:**

*On the new mechanical seal, the sealer  has been applied.*

- Apply SUZUKI SUPER GREASE “A” to the impeller shaft.

 **99000-25010: SUZUKI SUPER GREASE “A”**  
(or equivalent grease)

- Install the impeller shaft to the water pump body.

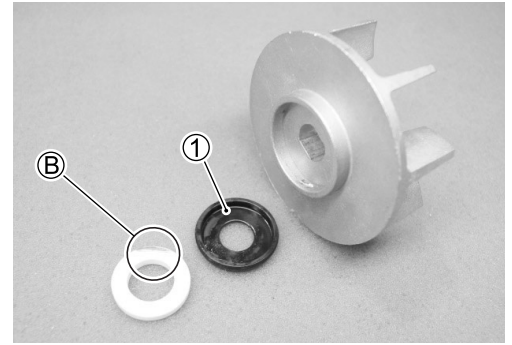




- Install the rubber seal ① into the impeller.
- After wiping off the oily or greasy matter from the mechanical seal ring, install it into the impeller.

**NOTE:**

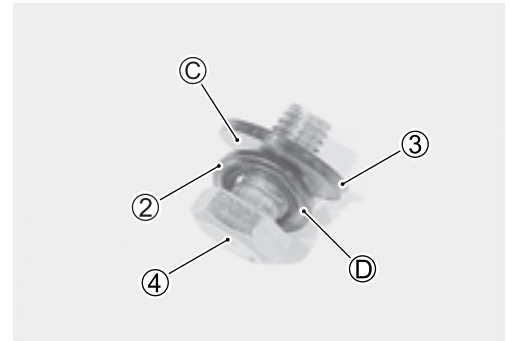
The paint marked side ② of mechanical seal ring faces the rubber seal.



- Install the washer ② and seal washer ③ onto the impeller securing bolt ④.

**NOTE:**

The metal side ③ of seal washer and the curved side ④ of washer face the impeller securing bolt head.



- Install the impeller ⑤ and its securing bolt onto the shaft.
- Tighten the impeller securing bolt to the specified torque.

**Impeller securing bolt: 8 N·m (0.8 kgf-m, 6.0 lb-ft)**

**NOTE:**

Before installing the impeller securing bolt, apply a small quantity of the **THREAD LOCK** to it.

**1342 99000-32050: THREAD LOCK "1342"**



- Install the new O-rings ⑥ and ⑦.

**CAUTION**

**Use the new O-rings to prevent engine coolant leakage.**

**NOTE:**

\* Apply engine coolant to the O-ring ⑥.

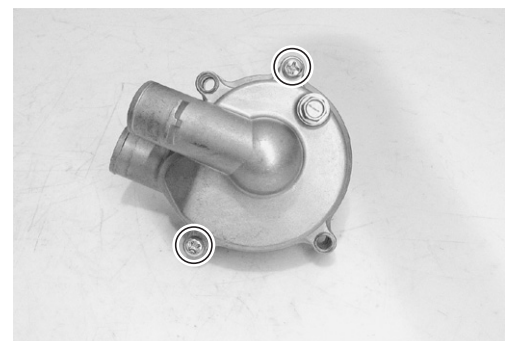
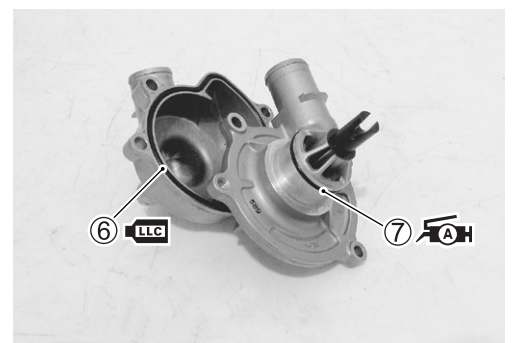
\* Apply **SUZUKI SUPER GREASE "A"** to the O-ring ⑦.

**99000-25010: SUZUKI SUPER GREASE "A" (or equivalent grease)**

- Tighten the water pump cover screws to the specified torque.

**Water pump cover screw: 5 N·m (0.5 kgf-m, 3.5 lb-ft)**

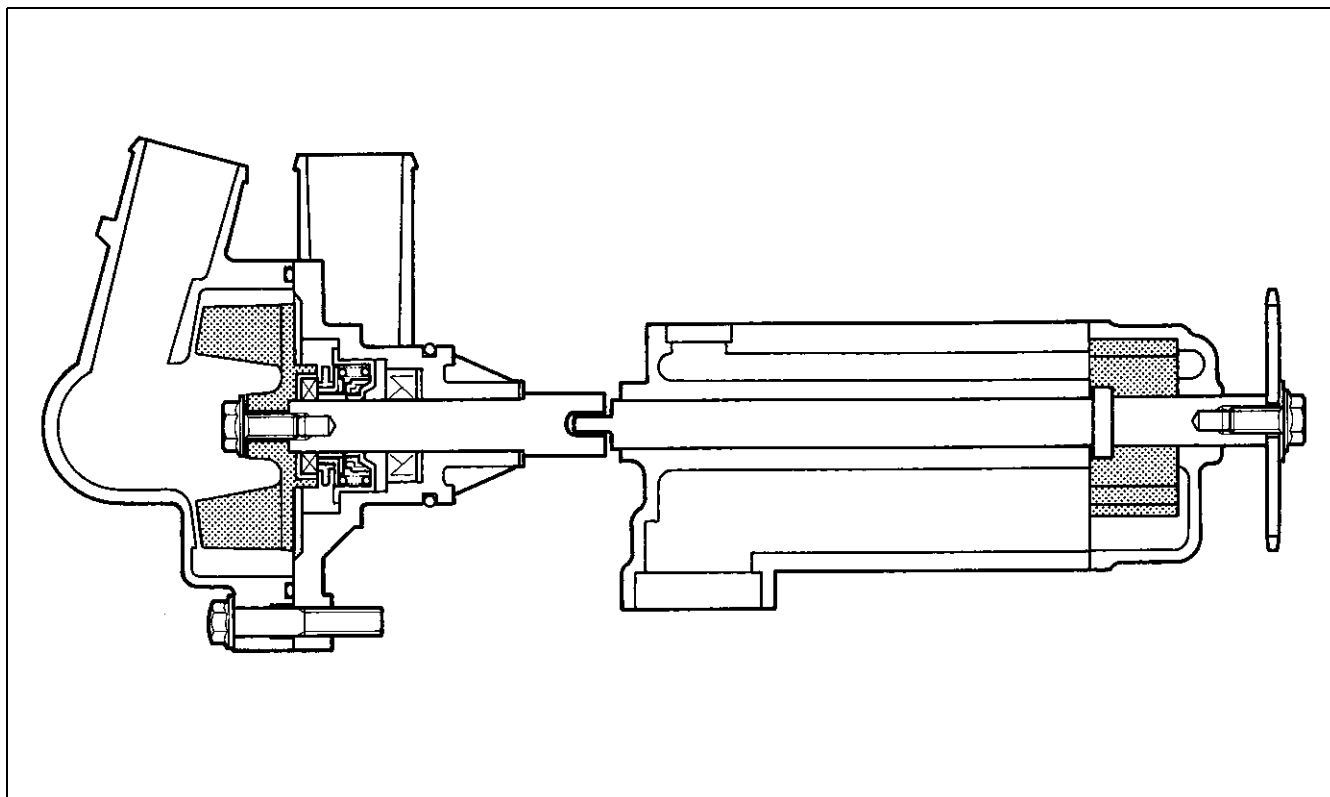
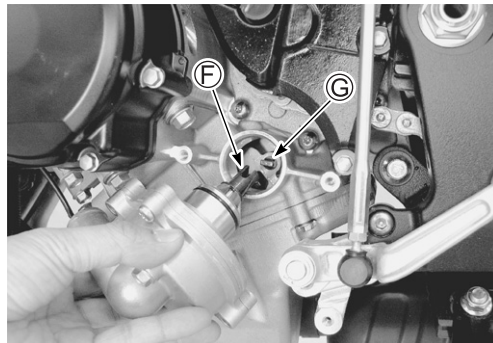
- Tighten the air bleeder plug securely.



- Install the water pump.

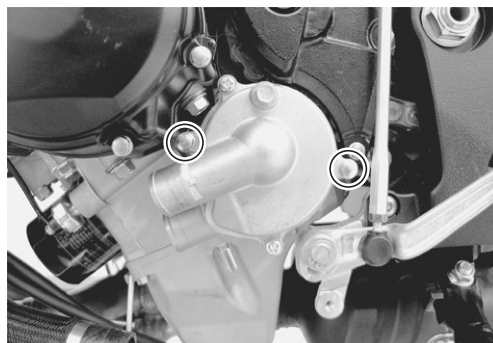
**NOTE:**

Set the water pump shaft end ⑥ to the oil pump shaft ⑦ as shown.



- Tighten the water pump mounting bolts to the specified torque.

 **Water pump mounting bolt: 10 N·m (1.0 kgf-m, 7.0 lb-ft)**



- Connect the water hoses. (☞ 10-24)
- Pour engine coolant. (☞ 2-17)
- Pour engine oil. (☞ 2-13)
- Install the under cowlings. (☞ 8-5)

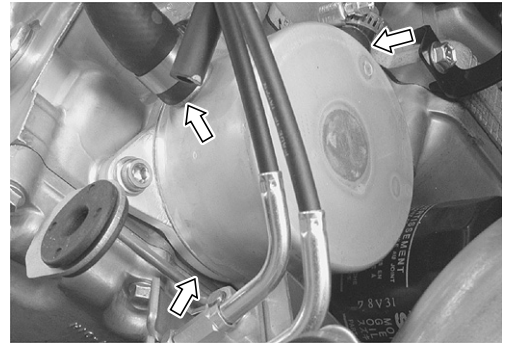
## LUBRICATION SYSTEM

### OIL COOLER

#### INSPECTION

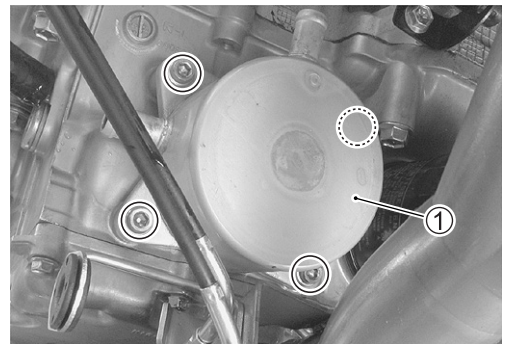
Inspect the oil cooler and oil cooler water hoses for engine oil leakage and engine coolant leakage.

Replace any defective parts if necessary.



#### REMOVAL

- Remove the under cowlings. (☞ 8-5)
- Drain engine oil. (☞ 2-12)
- Drain engine coolant. (☞ 2-17)
- Disconnect the oil cooler water hoses.
- Remove the oil cooler ①.



#### INSTALLATION

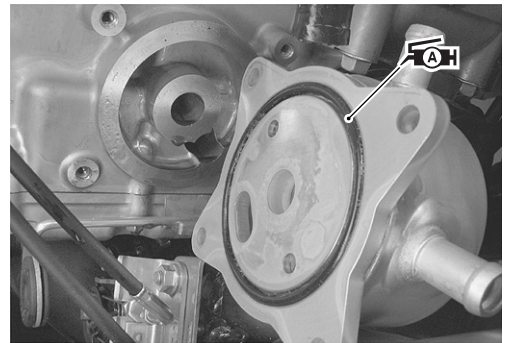
Install the oil cooler in the reverse order of removal. Pay attention to the following points:

- Apply SUZUKI SUPER GREASE "A" to the O-ring.

 99000-25010: SUZUKI SUPER GREASE "A"  
(or equivalent grease)

#### CAUTION

Replace the O-ring with a new one.



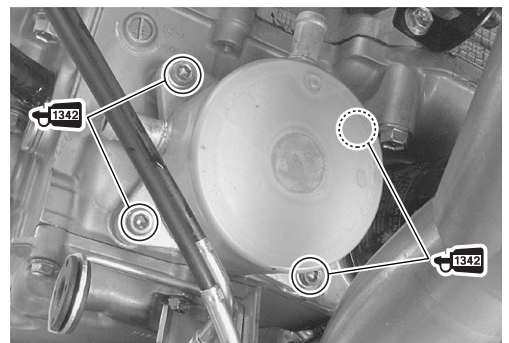
- Apply THREAD LOCK to the oil cooler mounting bolts and install the oil cooler ① as shown.

 1342 99000-32050: THREAD LOCK "1342"


- Tighten the oil cooler mounting bolts to the specified torque.

 Oil cooler mounting bolt: 10 N·m (1.0 kgf-m, 7.0 lb-ft)


- Connect the oil cooler water hoses. (☞ 10-24)
- Install the exhaust pipe and muffler. (☞ 6-12)
- Pour engine coolant. (☞ 2-18)
- Pour engine oil. (☞ 2-13)
- Install the under cowlings. (☞ 8-5)




## **OIL PRESSURE**

 2-33


## **OIL FILTER**

 2-13


## **OIL PRESSURE REGULATOR**

 3-44


## **OIL STRAINER**

 3-44

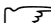
## **OIL JET**

 3-58

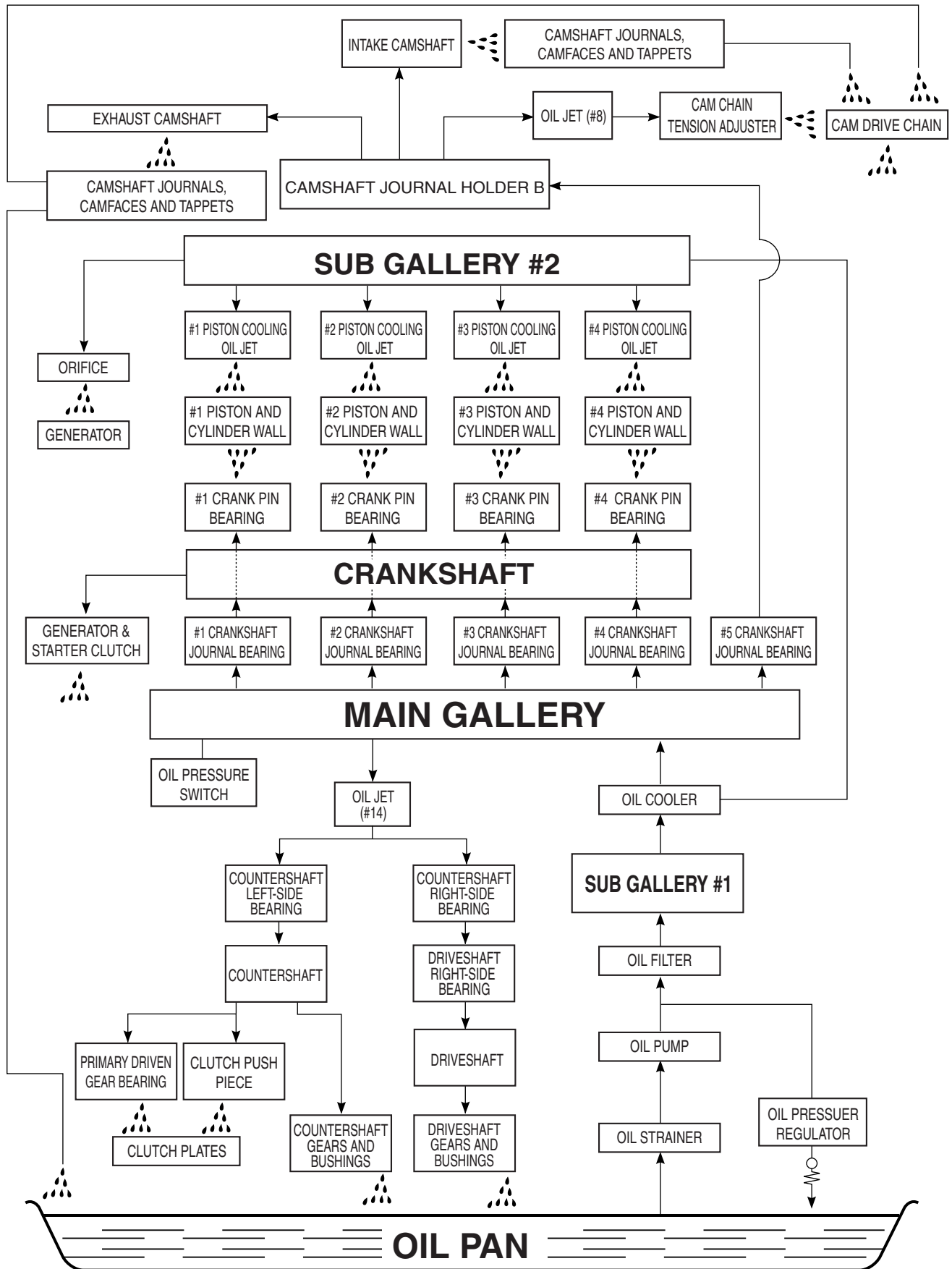
## **OIL PUMP**

 3-41

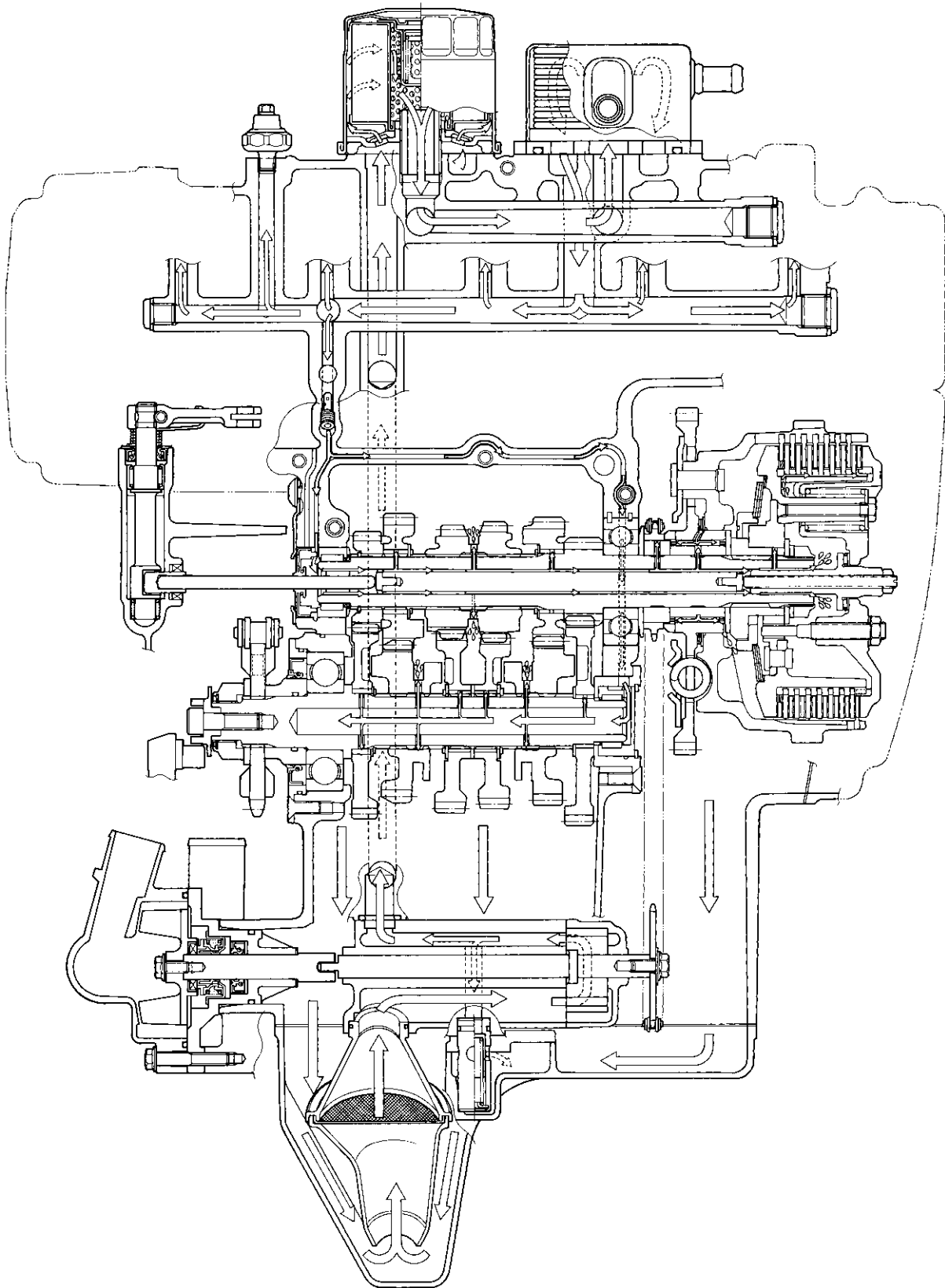
## **OIL PRESSURE SWITCH**

 9-34

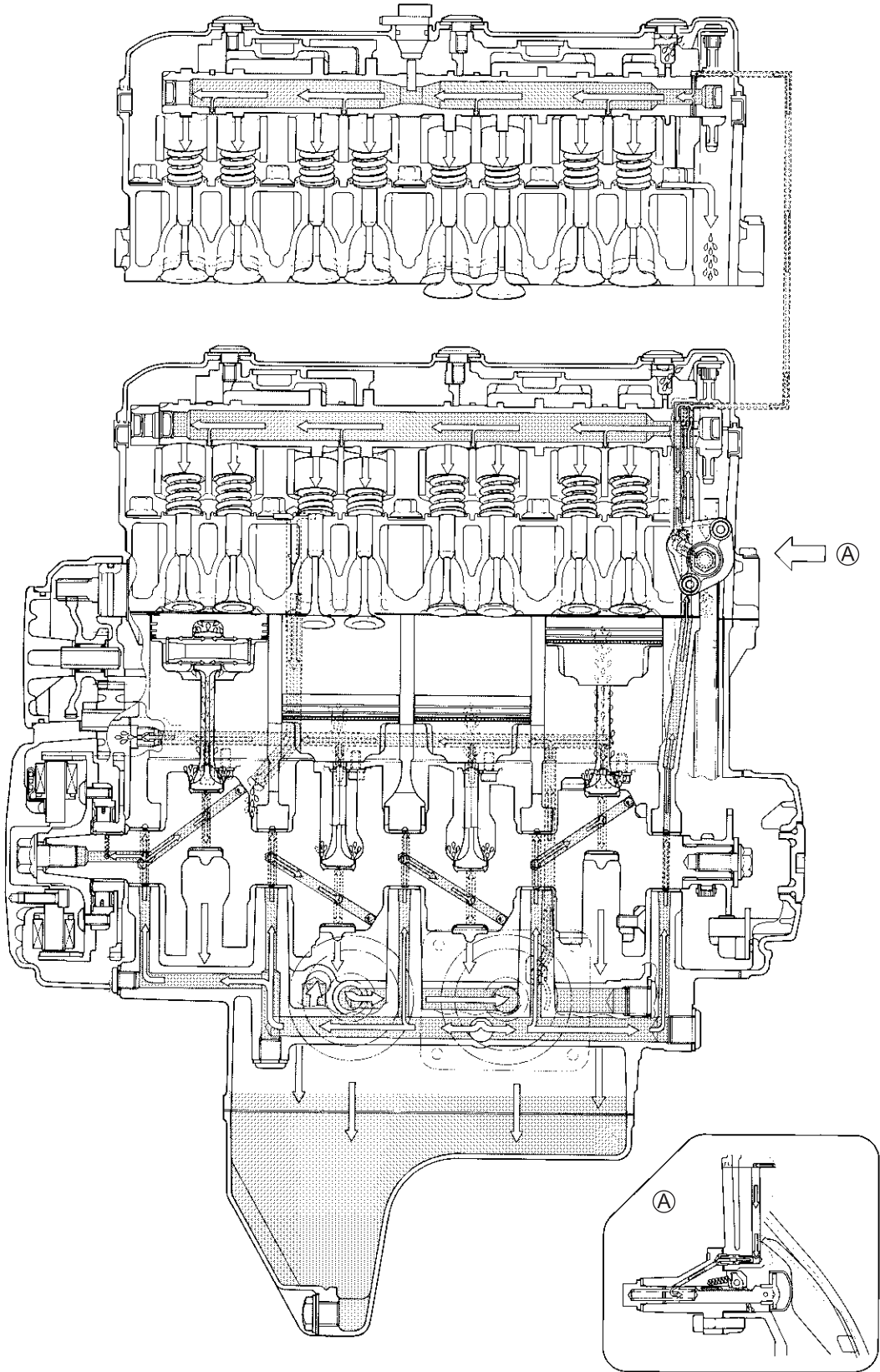
# ENGINE LUBRICATION SYSTEM CHART



# ENGINE LUBRICATION SYSTEM







# CHASSIS

## CONTENTS

<b>EXTERIOR PARTS</b> .....	<b>8- 3</b>
<b>FASTENER REMOVAL AND INSTALLATION</b> .....	<b>8- 3</b>
<b>BODY COWLING COVER AND LOWER BRACKET COVER</b> .....	<b>8- 5</b>
<b>INNER UNDER COWLING</b> .....	<b>8- 5</b>
<b>UNDER COWLING</b> .....	<b>8- 5</b>
<b>SCREEN</b> .....	<b>8- 6</b>
<b>BODY COWLING</b> .....	<b>8- 6</b>
<b>AIR INTAKE PIPE</b> .....	<b>8- 7</b>
<b>COWLING BRACE</b> .....	<b>8- 7</b>
<b>FRONT SEAT</b> .....	<b>8- 7</b>
<b>FUEL TANK LOWER SIDE COVER</b> .....	<b>8- 7</b>
<b>REAR SEAT/SEAT TAIL COVER</b> .....	<b>8- 8</b>
<b>FRAME COVER</b> .....	<b>8- 8</b>
<b>FRONT WHEEL</b> .....	<b>8- 9</b>
<b>CONSTRUCTION</b> .....	<b>8- 9</b>
<b>REMOVAL AND DISASSEMBLY</b> .....	<b>8-10</b>
<b>INSPECTION</b> .....	<b>8-12</b>
<b>REASSEMBLY AND INSTALLATION</b> .....	<b>8-13</b>
<b>FRONT FORK</b> .....	<b>8-17</b>
<b>CONSTRUCTION</b> .....	<b>8-17</b>
<b>REMOVAL AND DISASSEMBLY</b> .....	<b>8-18</b>
<b>INSPECTION</b> .....	<b>8-21</b>
<b>REASSEMBLY</b> .....	<b>8-22</b>
<b>INSTALLATION</b> .....	<b>8-26</b>
<b>SUSPENSION SETTING</b> .....	<b>8-27</b>
<b>STEERING DAMPER</b> .....	<b>8-28</b>
<b>CONSTRUCTION</b> .....	<b>8-28</b>
<b>REMOVAL</b> .....	<b>8-29</b>
<b>INSPECTION</b> .....	<b>8-29</b>
<b>INSTALLATION</b> .....	<b>8-29</b>
<b>STEERING</b> .....	<b>8-30</b>
<b>CONSTRUCTION</b> .....	<b>8-30</b>
<b>REMOVAL</b> .....	<b>8-31</b>
<b>INSPECTION AND DISASSEMBLY</b> .....	<b>8-32</b>
<b>REASSEMBLY</b> .....	<b>8-33</b>
<b>INSTALLATION</b> .....	<b>8-33</b>
<b>STEERING TENSION ADJUSTMENT</b> .....	<b>8-35</b>
<b>HANDLEBARS</b> .....	<b>8-36</b>
<b>CONSTRUCTION</b> .....	<b>8-36</b>
<b>REMOVAL</b> .....	<b>8-36</b>
<b>INSTALLATION</b> .....	<b>8-37</b>
<b>REAR WHEEL</b> .....	<b>8-40</b>
<b>CONSTRUCTION</b> .....	<b>8-40</b>
<b>REMOVAL</b> .....	<b>8-41</b>
<b>INSPECTION AND DISASSEMBLY</b> .....	<b>8-42</b>
<b>REASSEMBLY AND INSTALLATION</b> .....	<b>8-44</b>
<b>REAR SHOCK ABSORBER</b> .....	<b>8-48</b>
<b>CONSTRUCTION</b> .....	<b>8-48</b>

# CHASSIS

## CONTENTS

<b>REMOVAL .....</b>	<b>8-49</b>
<b>INSPECTION .....</b>	<b>8-51</b>
<b>REAR SHOCK ABSORBER SCRAPPING PROCEDURE .....</b>	<b>8-51</b>
<b>INSTALLATION.....</b>	<b>8-52</b>
<b>SUSPENSION SETTING .....</b>	<b>8-53</b>
<b>REAR SUSPENSION.....</b>	<b>8-54</b>
<b>CONSTRUCTION .....</b>	<b>8-54</b>
<b>REMOVAL .....</b>	<b>8-55</b>
<b>INSPECTION .....</b>	<b>8-56</b>
<b>DISASSEMBLY .....</b>	<b>8-59</b>
<b>REASSEMBLY AND INSTALLATION.....</b>	<b>8-60</b>
<b>FINAL INSPECTION AND ADJUSTMENT .....</b>	<b>8-63</b>
<b>FRONT BRAKE.....</b>	<b>8-64</b>
<b>CONSTRUCTION .....</b>	<b>8-64</b>
<b>BRAKE PAD REPLACEMENT .....</b>	<b>8-65</b>
<b>BRAKE FLUID REPLACEMENT .....</b>	<b>8-66</b>
<b>CALIPER REMOVAL .....</b>	<b>8-67</b>
<b>CALIPER DISASSEMBLY .....</b>	<b>8-67</b>
<b>CALIPER INSPECTION .....</b>	<b>8-68</b>
<b>CALIPER REASSEMBLY .....</b>	<b>8-68</b>
<b>CALIPER INSTALLATION.....</b>	<b>8-69</b>
<b>BRAKE DISC INSPECTION.....</b>	<b>8-70</b>
<b>MASTER CYLINDER REMOVAL AND DISASSEMBLY.....</b>	<b>8-71</b>
<b>MASTER CYLINDER INSPECTION.....</b>	<b>8-72</b>
<b>MASTER CYLINDER REASSEMBLY.....</b>	<b>8-73</b>
<b>MASTER CYLINDER INSTALLATION .....</b>	<b>8-74</b>
<b>REAR BRAKE.....</b>	<b>8-75</b>
<b>CONSTRUCTION .....</b>	<b>8-75</b>
<b>BRAKE PAD REPLACEMENT .....</b>	<b>8-76</b>
<b>BRAKE FLUID REPLACEMENT .....</b>	<b>8-77</b>
<b>CALIPER REMOVAL AND DISASSEMBLY.....</b>	<b>8-77</b>
<b>CALIPER INSPECTION .....</b>	<b>8-79</b>
<b>CALIPER REASSEMBLY .....</b>	<b>8-80</b>
<b>CALIPER INSTALLATION.....</b>	<b>8-81</b>
<b>MASTER CYLINDER REMOVAL AND DISASSEMBLY.....</b>	<b>8-81</b>
<b>MASTER CYLINDER INSPECTION.....</b>	<b>8-83</b>
<b>MASTER CYLINDER REASSEMBLY.....</b>	<b>8-83</b>
<b>MASTER CYLINDER INSTALLATION .....</b>	<b>8-84</b>
<b>TIRE AND WHEEL.....</b>	<b>8-85</b>
<b>TIRE REMOVAL .....</b>	<b>8-85</b>
<b>INSPECTION .....</b>	<b>8-85</b>
<b>VALVE INSPECTION .....</b>	<b>8-86</b>
<b>TIRE INSTALLATION.....</b>	<b>8-87</b>
<b>BALANCER WEIGHT INSTALLATION .....</b>	<b>8-88</b>
<b>DRIVE CHAIN .....</b>	<b>8-89</b>
<b>DRIVE CHAIN CUTTING.....</b>	<b>8-89</b>
<b>DRIVE CHAIN CONNECTING.....</b>	<b>8-90</b>

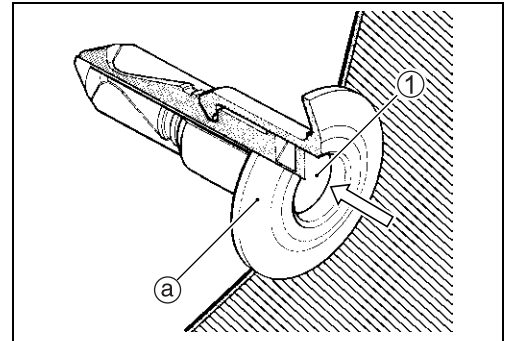
## EXTERIOR PARTS

### FASTENER REMOVAL AND INSTALLATION

#### FASTENER (Type A)

##### Removal

- Depress the head of fastener center piece ①.
- Pull out the fastener ②.

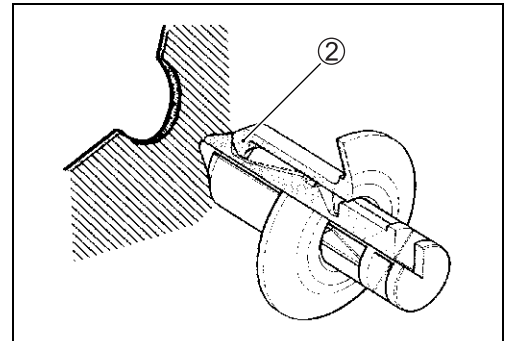


##### Installation

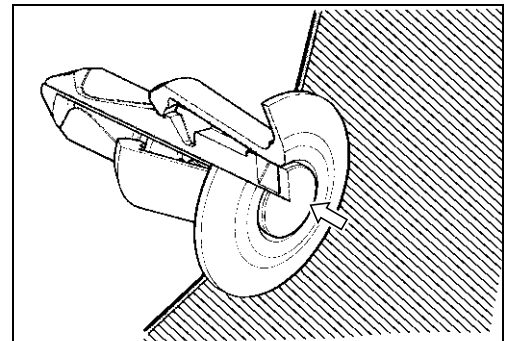
- Let the center piece stick out toward the head so that the pawls ② close.
- Insert the fastener into the installation hole.

##### NOTE:

*To prevent the pawl ② from damage, insert the fastener all the way into the installation hole.*



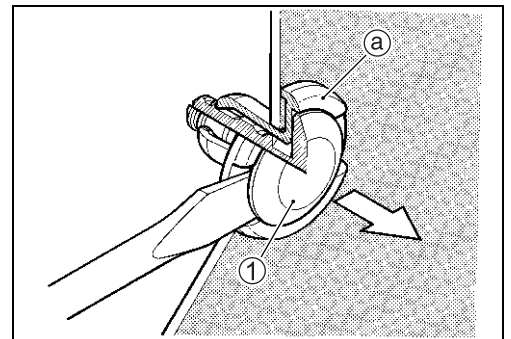
- Push in the head of center piece until it becomes flush with the fastener outside face.



#### FASTENER (Type B)

##### Removal

- Pry up the head of fastener center piece ① with a screw driver.
- Pull out the fastener ②.

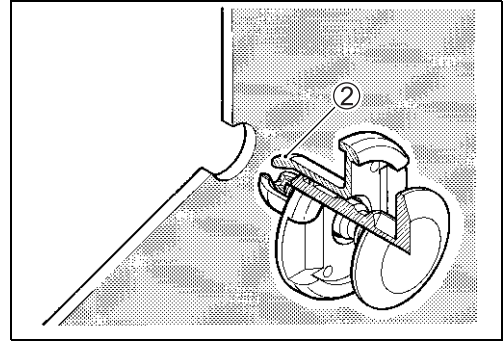


**Installation**

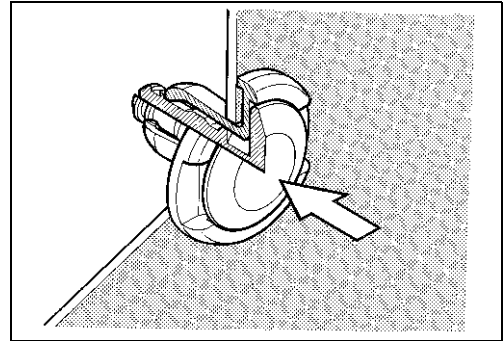
- Insert the fastener into the installation hole.

**NOTE:**

*To prevent the pawl ② from damage, insert the fastener all the way into the installation hole.*



- Push in the head of center piece.



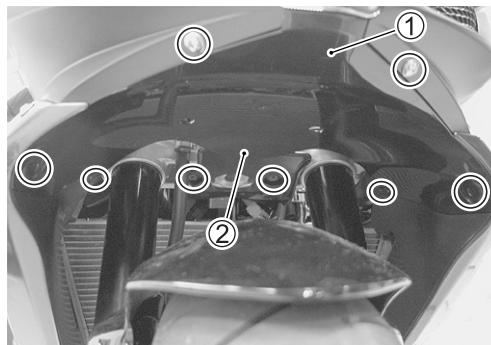
## BODY COWLING COVER AND LOWER BRACKET COVER

### REMOVAL

- Remove the body cowling cover ① by removing the screws and fasteners.
- Remove the lower bracket cover ② by removing the bolts.

### INSTALLATION

- Install the lower bracket cover and body cowling cover in the reverse order of removal.



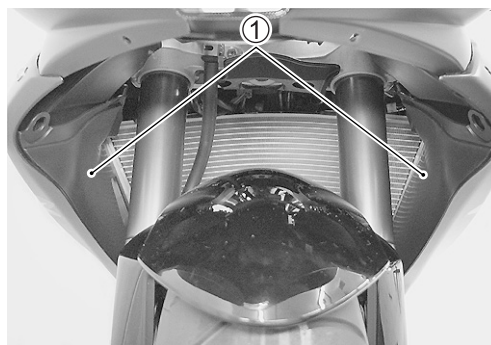
## INNER UNDER COWLING

### REMOVAL

- Remove the body cowling cover. (☞ Above)
- Remove the inner under cowlings ①. (LH/RH)

### INSTALLATION

- Install the inner under cowlings in the reverse order of removal.



## UNDER COWLING

- Remove the body cowling cover and inner under cowlings. (☞ Above)
- Remove the fasteners.



- Remove the under cowlings. (LH/RH)

### NOTE:

“☆” indicates hook location.

### INSTALLATION

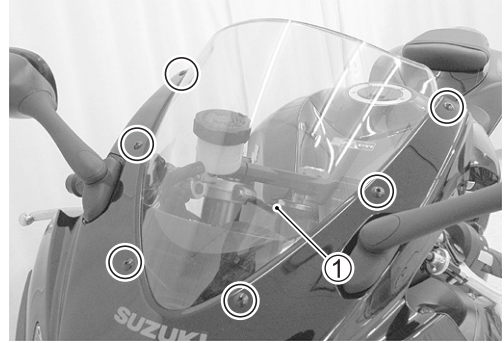
- Install the under cowlings in the reverse order of removal.



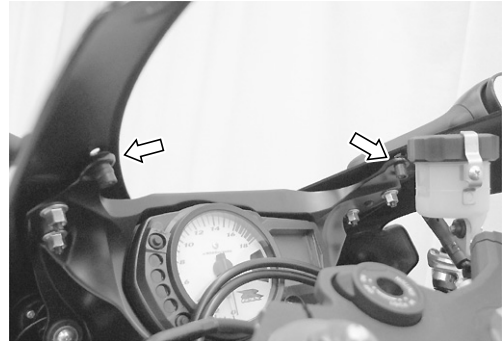


**SCREEN****REMOVAL**

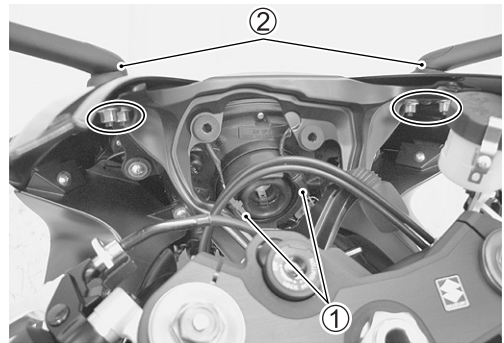
- Remove the screen ① by removing the screws.

**INSTALLATION**

- Install two nuts (middle ones) as shown.
- Install the window screen.

**BODY COWLING****REMOVAL**

- Remove the left and right under cowlings. (➡ 8-5)
- Remove the screen. (➡ Above)
- Remove the combination meter. (➡ 9- )
- Disconnect the turn signal lead wire couplers ①.
- Remove the rear view mirror/turn signal assemblies ②.



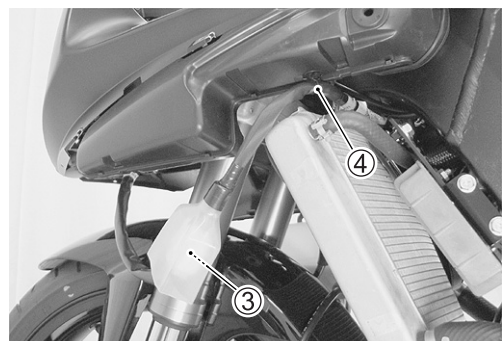
- Remove the screws.



- Disconnect the lead wire coupler ③ and remove wire clamp ④.
- Remove the body cowling.

**INSTALLATION**

- Install the body cowling in the reverse order of removal.
- Refer to the turn signal cable routing. (➡ 10- )



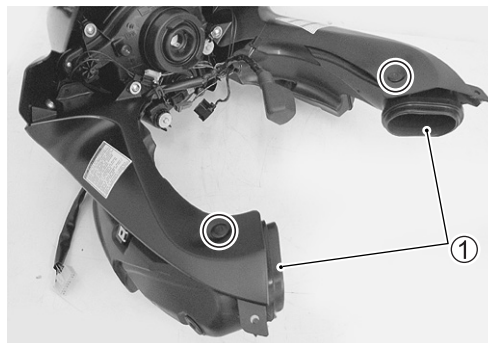
## AIR INTAKE PIPE

### REMOVAL

- Remove the body cowling. (☞ 8-6)
- Remove the fasteners.
- Remove the air intake pipes ①. (LH/RH)

### INSTALLATION

- Install the air intake pipes in the reverse order of removal.



## COWLING BRACE

### REMOVAL

- Remove the body cowling. (☞ 8-6)
- Remove the cowling brace ①.

### INSTALLATION

- Install the cowling brace in the reverse order of removal.
- Tighten the cowling brace bolts.

 **Cowling brace bolt: 23 N·m (2.3 kgf·m, 16.5 lb-ft)**



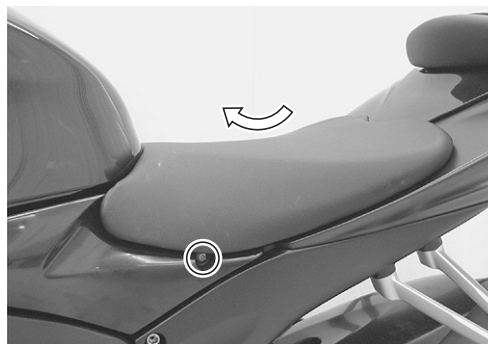
## FRONT SEAT

### REMOVAL

- Remove the front seat by removing the bolts.

### INSTALLATION

- Install the front seat in the reverse order of removal.



## FUEL TANK LOWER SIDE COVER

### REMOVAL

- Remove the front seat. (☞ Above)
- Remove the fuel tank lower side covers ①. (LH/RH)

### NOTE:

“☆” indicates hook location.

### INSTALLATION

- Install the fuel tank lower side covers in the reverse order of removal.



## REAR SEAT/SEAT TAIL COVER

### REMOVAL

- Remove the rear seat (seat tail cover) using the ignition key.

### INSTALLATION

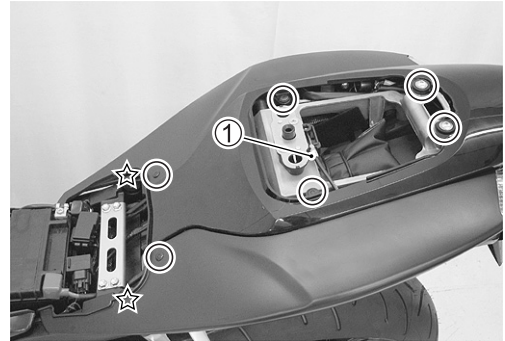
- Insert the seat hook to the guide and push down the seat (seat tail cover) firmly until the seat (seat tail cover) snaps into the locked position.



## FRAME COVER

### REMOVAL

- Remove the front and rear seats. (☞ 8-7 and -8)
- Remove the fasteners and screws.
- Disconnect the seat lock cable ①.



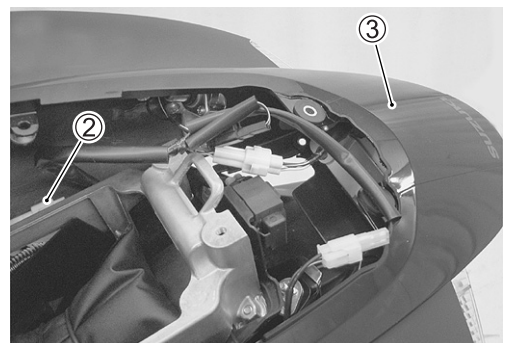
- Disconnect the rear combination light lead wire coupler ②.
- Remove the frame cover ③.

### NOTE:

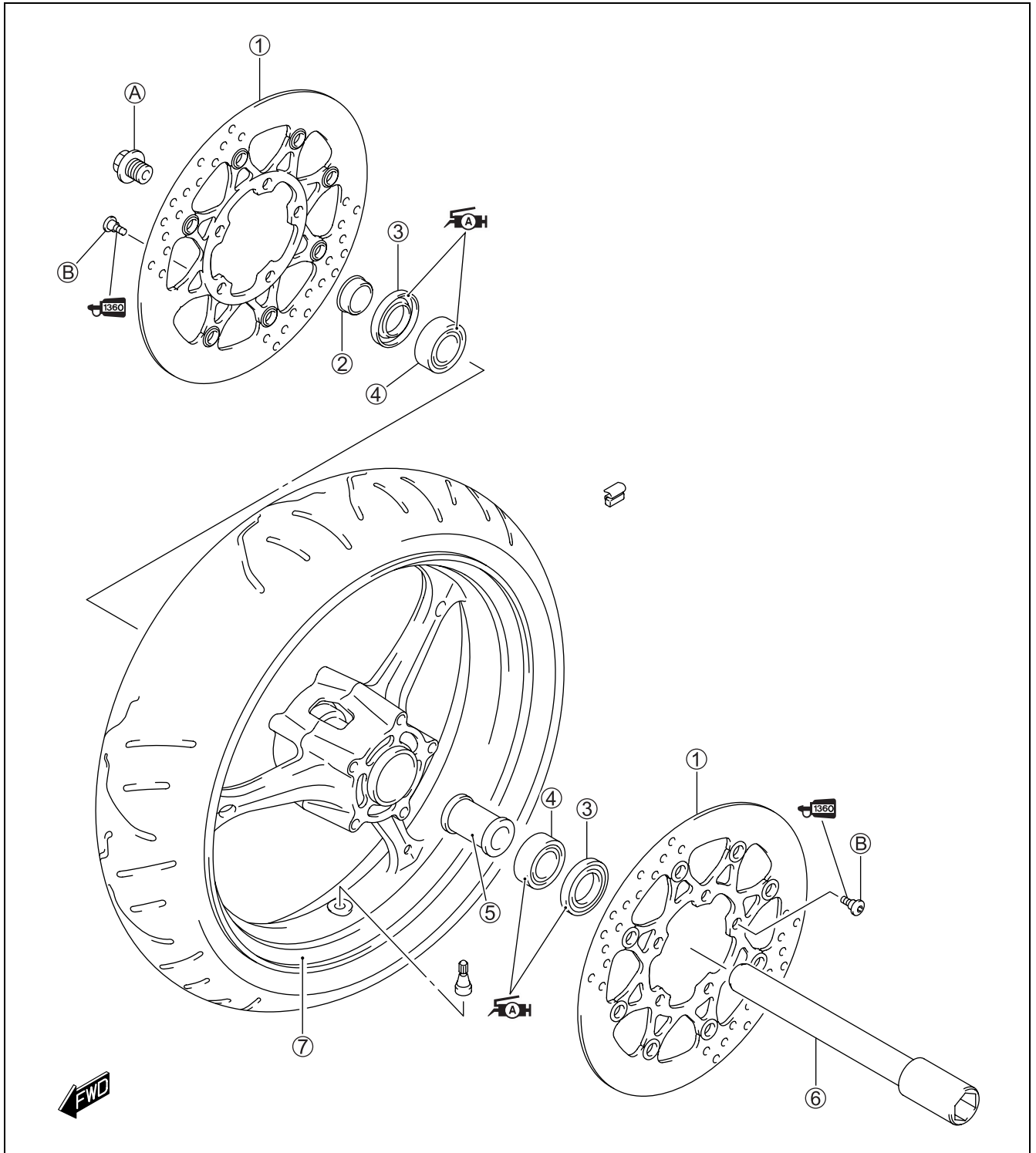
“☆” indicates hook location.

### INSTALLATION

Install the frame cover in the reverse order of removal.



# FRONT WHEEL CONSTRUCTION



①	Brake disc	⑥	Front axle
②	Collar	⑦	Front wheel
③	Dust seal	A	Front axle bolt
④	Bearing	B	Brake disc bolt
⑤	Spacer		

ITEM	N·m	kgf·m	lb·ft
A	100	10.0	72.5
B	23	2.3	16.5



## REMOVAL AND DISASSEMBLY

- Remove the brake calipers.

### CAUTION

**Do not operate the brake lever while removing the calipers.**

- Loosen two axle pinch bolts ① on the right front fork leg.
- Remove the front axle bolt ②.
- Remove the under cowling. (☞ 8-5)

- Raise the front wheel off the ground and support the motorcycle with a jack or a wooden block.

### CAUTION

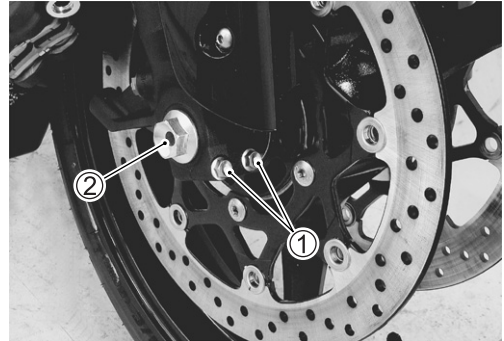
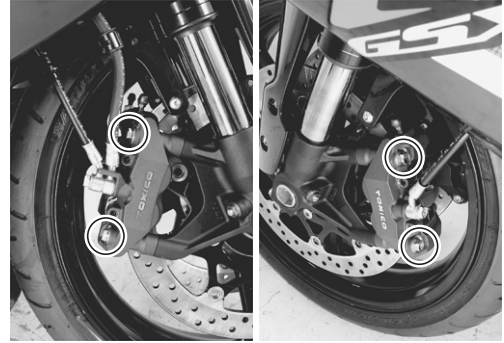
**Do not carry out the work with the motorcycle resting on the side-stand. Do not support the motorcycle with the exhaust pipe. Make sure that the motorcycle is supported securely.**

- Loosen two axle pinch bolts ③ on the left front fork leg.
- Draw out the front axle and remove the front wheel.

### NOTE:

*After removing the front wheel, fit the calipers temporarily to the original positions.*


- Remove the collar ④.



- Remove the brake discs, left and right.



- Remove the dust seals on both sides with the special tool.

 **09913-50121: Oil seal remover**

**CAUTION**

The removed dust seals must be replaced with new ones.



- Remove the wheel bearings with the special tool.

 **09921-20240: Bearing remover set**

**CAUTION**

The removed bearings should be replaced with new ones.



- Remove the spacer ⑤.





## INSPECTION

TIRE INSPECTION (☞ 8-85)

BRAKE DISC INSPECTION (☞ 8-70)

### AXLE SHAFT

- Using a dial gauge, check the axle shaft for runout and replace it if the runout exceeds the limit.

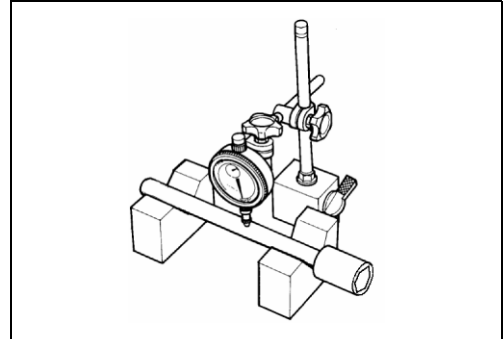
**TOOL** 09900-20607: Dial gauge (1/100)

09900-20701: Magnetic stand

09900-21304: V-block set (100 mm)

**DATA** Axle shaft runout:

Service Limit: 0.25 mm (0.010 in)

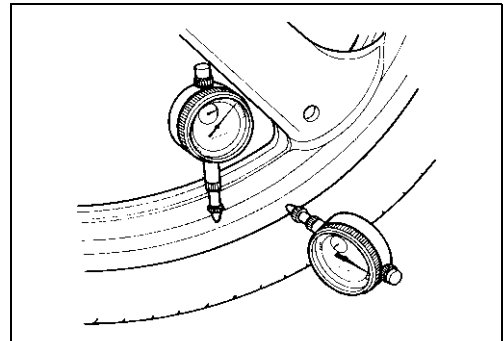


### WHEEL

- Make sure that the wheel runout checked as shown does not exceed the service limit. An excessive runout is usually due to worn or loosened wheel bearings and can be reduced by replacing the bearings. If bearing replacement fails to reduce the runout, replace the wheel.

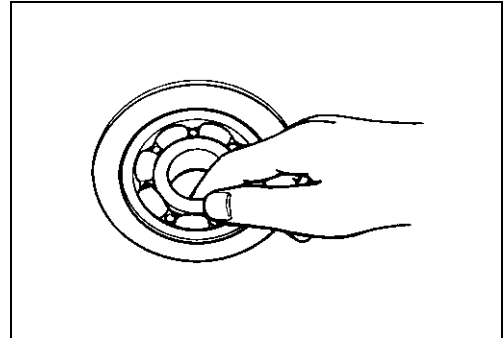
**DATA** Wheel runout:

Service Limit (Axial and Radial): 2.0 mm (0.08 in)



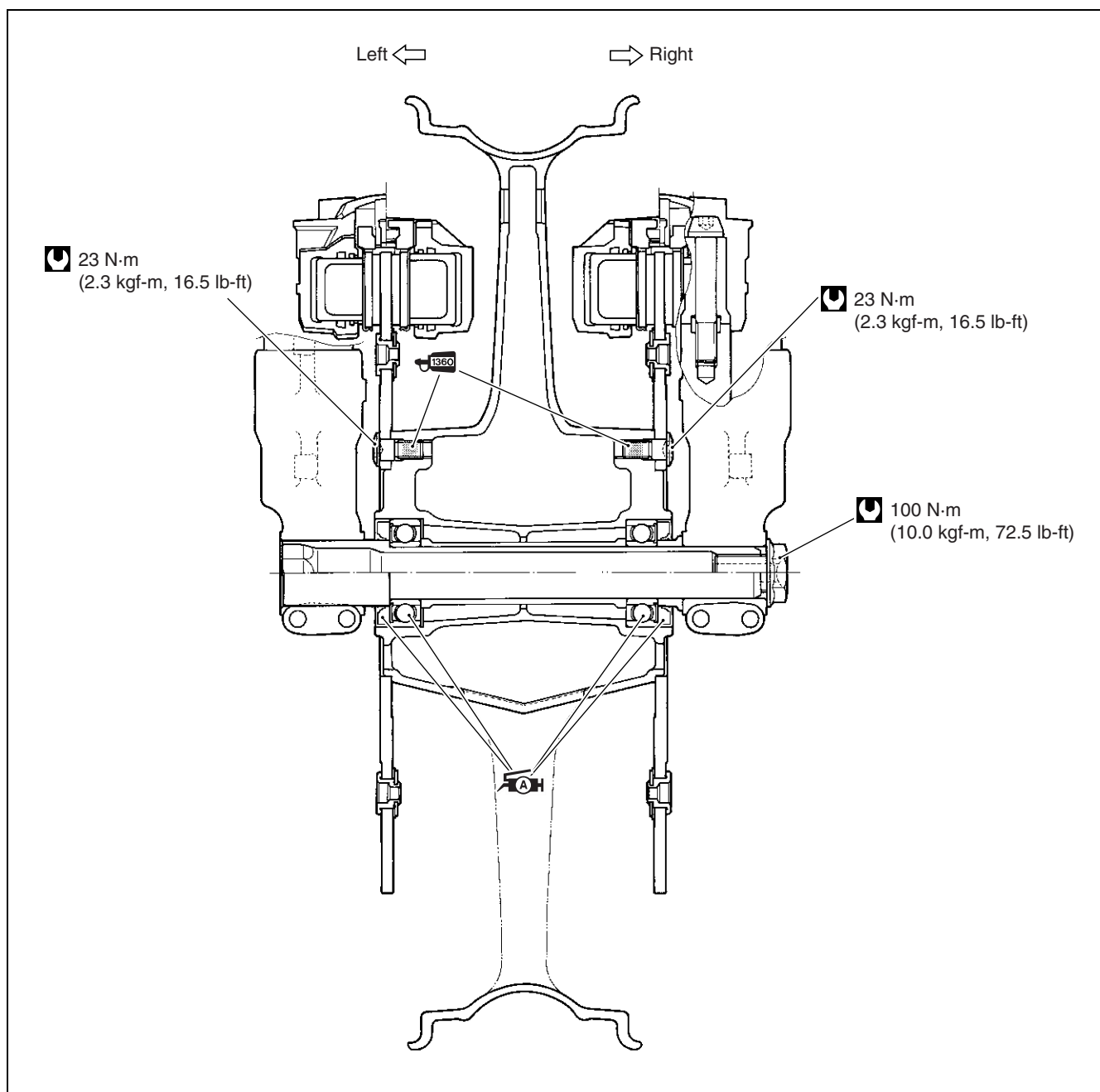
### WHEEL BEARINGS

- Inspect the play of the wheel bearings by finger while they are in the wheel. Rotate the inner race by finger to inspect for abnormal noise and smooth rotation.
- Replace the bearing in the following procedure if there is anything unusual.




## REASSEMBLY AND INSTALLATION

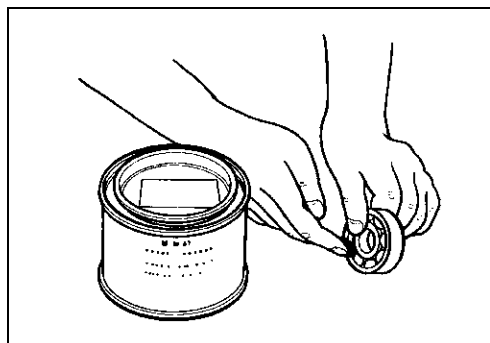
Reassemble and install the front wheel in the reverse order of removal and disassembly. Pay attention to the following points:



### WHEEL BEARING

- Apply SUZUKI SUPER GREASE "A" to the wheel bearings.

 99000-25010: SUZUKI SUPER GREASE "A"  
(or equivalent grease)

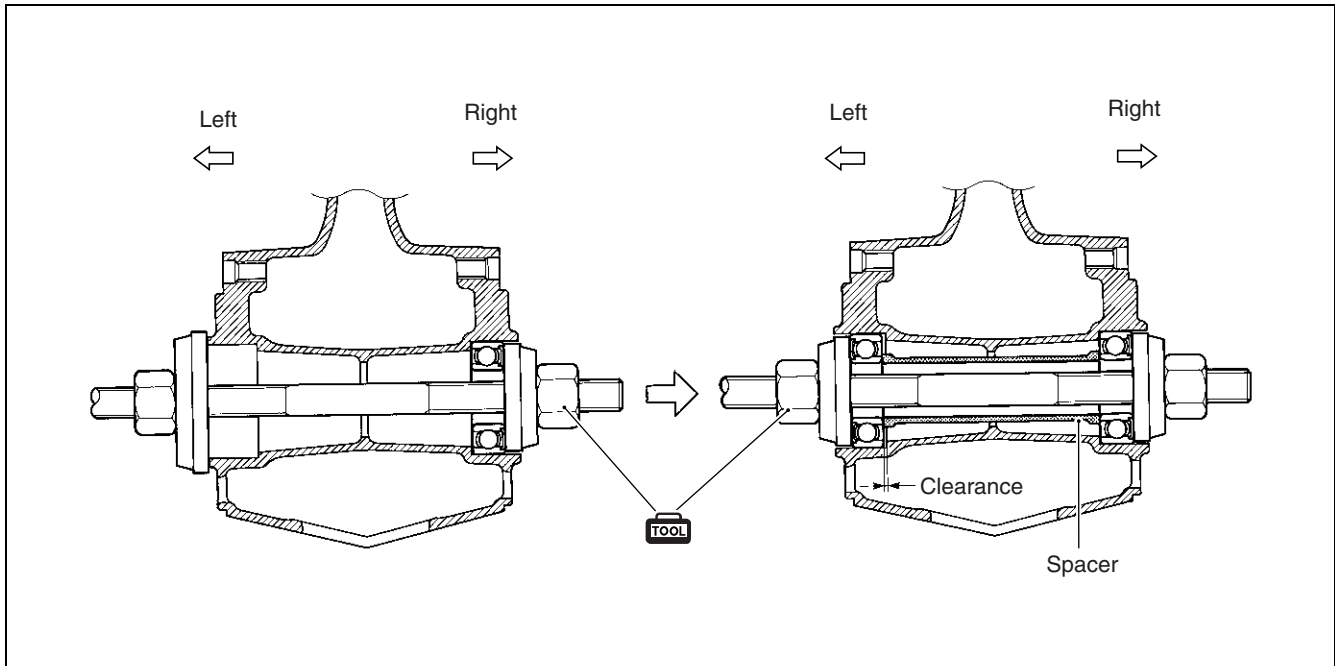
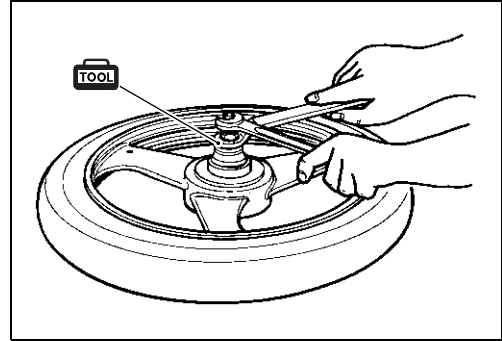


- Install the wheel bearings with the special tools as follows.

**TOOL** 09924-84510: Bearing installer set

**CAUTION**

First install the right wheel bearing, then install the spacer and left wheel bearing.  
The sealed cover of the bearing must face outside.



- Install the dust seal with the special tool.

**TOOL** 09913-70210: Bearing installer set

- Apply SUZUKI SUPER GREASE “A” to the dust seal lip.

**TOOL** 99000-25010: SUZUKI SUPER GREASE “A”  
(or equivalent grease)



**BRAKE DISC**

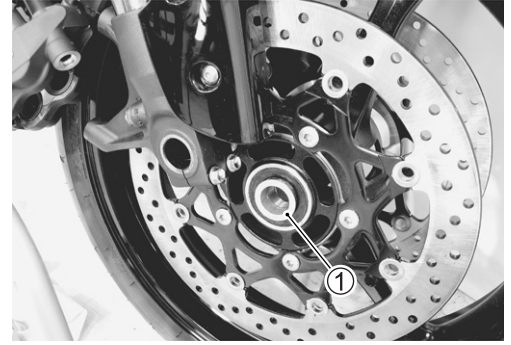
- Make sure that the brake disc is clean and free of any greasy matter.
- Apply THREAD LOCK to the disc mounting bolts and tighten them to the specified torque.

**TOOL** Brake disc bolt (Front): 23 N·m (2.3 kgf·m, 16.5 lb·ft)

**TOOL** 99000-32130: THREAD LOCK SUPER “1360”



- Install the collar ① in the right side.



## WHEEL

- Install the front wheel with the front axle and hand-tighten the front axle bolt temporarily.


### ⚠ WARNING

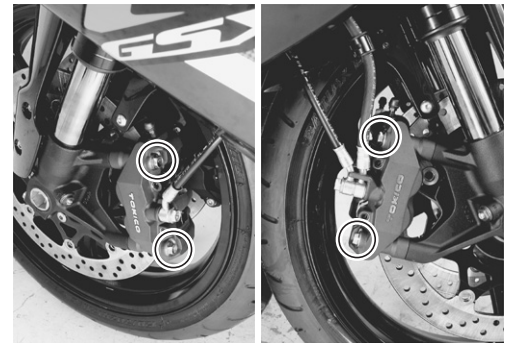
The directional arrow on the tire should point to the wheel rotation, when remounting the wheel.



## BRAKE CALIPER

- Tighten the brake caliper mounting bolts to the specified torque.

 **Front brake caliper mounting bolt:**  
39 N·m (3.9 kgf·m, 28.0 lb·ft)



## FRONT AXLE

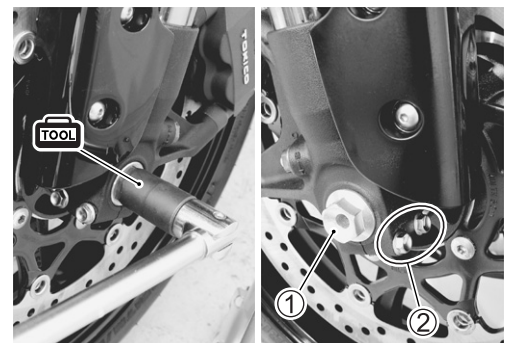
- Hold the front axle with the special tool and tighten the front axle bolt ① to the specified torque.

 **09900-18740: Hexagon socket (24 mm)**

 **Front axle bolt: 100 N·m (10.0 kgf·m, 72.5 lb·ft)**

- Tighten two axle pinch bolts ② on the right fork leg to the specified torque.

 **Front axle pinch bolt: 23 N·m (2.3 kgf·m, 16.5 lb·ft)**



- Move the front fork up and down 4 or 5 times.

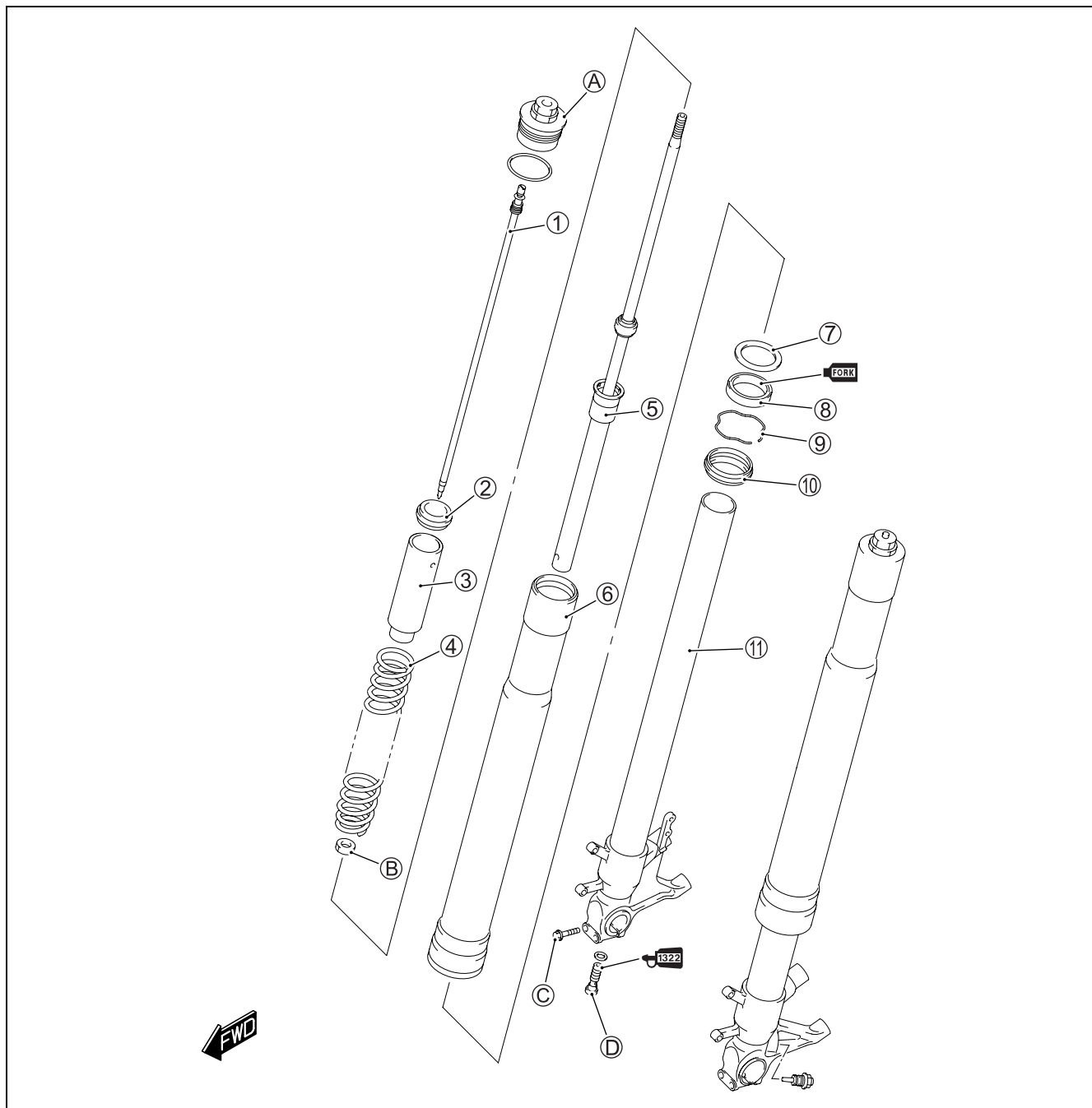


- Tighten two axle pinch bolts on the left front fork leg to the specified torque.

 **Front axle pinch bolt: 23 N·m (2.3 kgf-m, 16.5 lb-ft)**



# FRONT FORK CONSTRUCTION



①	Adjuster rod	⑨	Oil seal stopper ring
②	Spring retainer	⑩	Dust seal
③	Spacer	⑪	Inner tube
④	Spring	A	Front fork cap bolt
⑤	Inner rod/Damper rod (cartridge)	B	Lock-nut
⑥	Outer tube	C	Front axle pinch bolt
⑦	Oil seal retainer	D	Damper rod bolt
⑧	Oil seal		

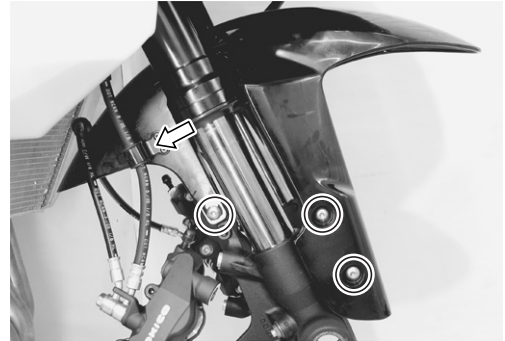
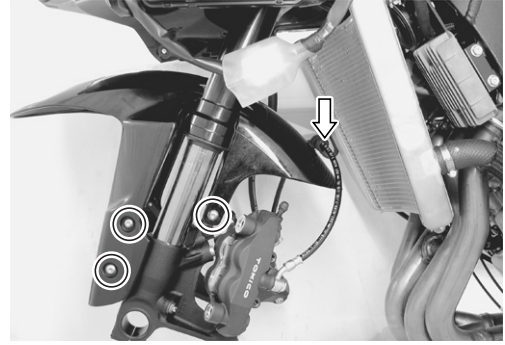


ITEM	N·m	kgf·m	lb·ft
A	35	3.5	25.5
B	20	2.0	14.5
C	23	2.3	16.5
D	35	3.5	25.5



## REMOVAL AND DISASSEMBLY

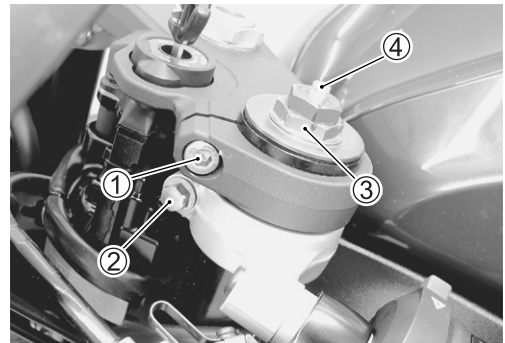
- Remove the under cowling cover and the lower bracket cover. (☞ 8-5)
- Remove the front wheel. (☞ 8-10)
- Disconnect the brake hose from the brake hose guides at the front fender.
- Remove the front fender.



- Loosen the front fork upper clamp bolts ①, left and right.
- Loosen the handlebar clamp bolts ②, left and right.

### NOTE:

- \* Slightly loosen the front fork cap bolts ③ before loosening the lower clamp bolts to facilitate later disassembly.
- \* Be sure to adjust the rebound damping force adjuster ④ to the softest position before removing the front fork.



- Loosen the front fork lower clamp bolts, left and right.
- Remove the front forks, left and right.

### NOTE:

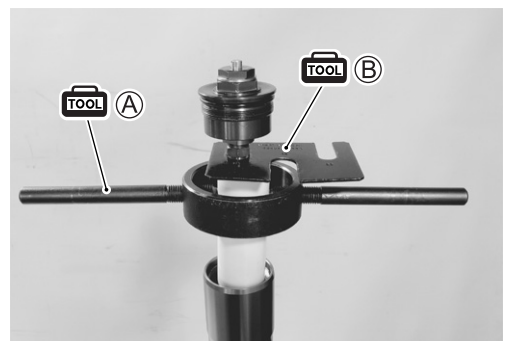
Hold the front fork by the hand to prevent sliding out of the steering stem.



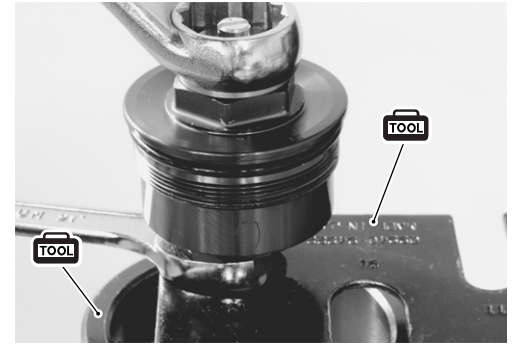
- Separate the front fork cap bolt from the front fork.
- Compress the front fork spring with the special tool (A) and insert the special tool (B) between the lock-nut and the spring retainer.

**TOOL** 09940-94930: Front fork spacer holder (A)

09940-94922: Stopper plate (B)



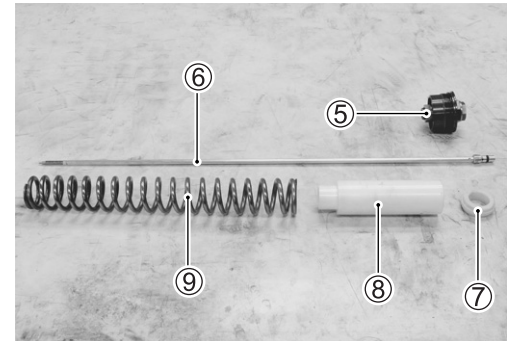
- Remove the front fork cap bolt from the inner rod by loosening the lock nut.
- Compress the fork spring with the special tool and remove the special tool.



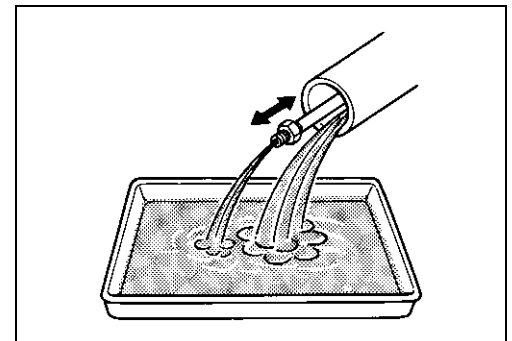
- Remove the front fork cap bolt ⑤, adjuster rod ⑥, spring retainer ⑦, spacer ⑧ and spring ⑨.

### CAUTION

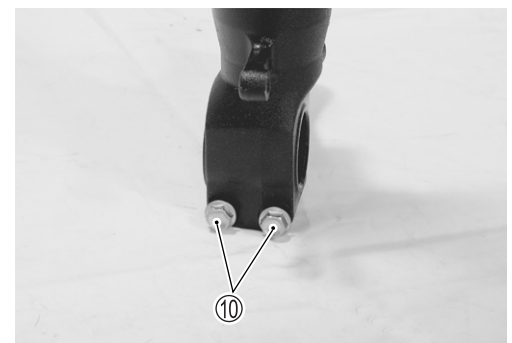
- \* Do not disassemble the front fork cap bolt ⑤.
- \* After removing the front fork cap bolt ⑤, avoid holding the outer tube vertically by hand to prevent the inner tube from falling and damaged.



- Invert the front fork and stroke the inner rod several times to let out fork oil.
- Under the inverted condition of front fork, drain oil completely by holding the fork for a while.



- Remove the front axle pinch bolts ⑩.



- Remove the compression damping force adjuster ⑪.



- Remove the damper rod bolt with the special tool and a hexagon wrench.

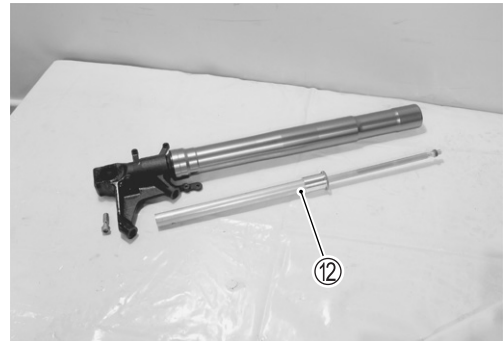
 **09940-30221: Front fork assembling tool**



- Remove the inner rod/damper rod (cartridge) ⑫.

**CAUTION**

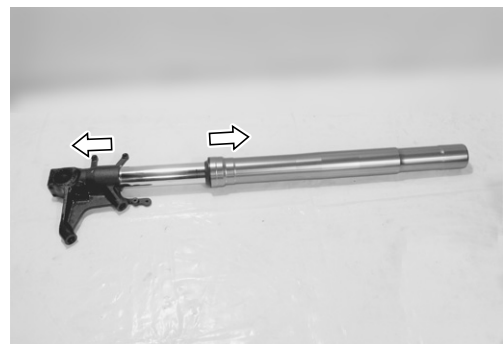
**Do not disassemble the inner rod/damper rod (cartridge).**



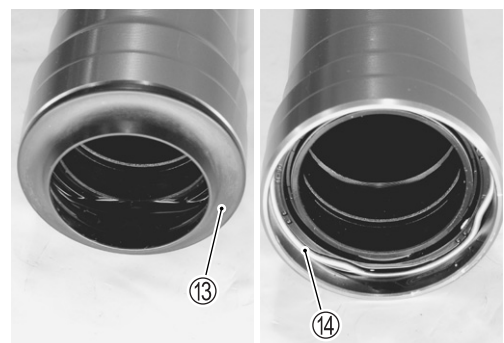
- Slide the outer tube to remove it from the inner tube.

**NOTE:**

*Be careful not to damage the "ANTI-FRICTION" metals.*



- Remove the dust seal ⑬ and oil seal stopper ring ⑭.



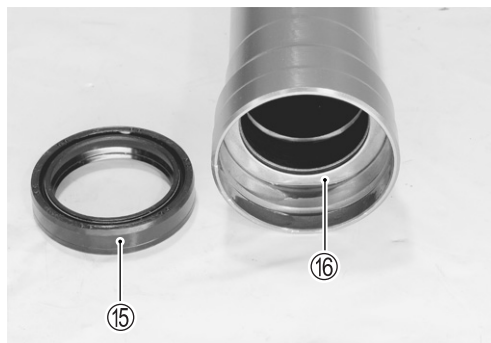
- Remove the oil seal ⑮ with the special tool.

**TOOL** 09913-50121: Oil seal remover

**CAUTION**

The removed oil seal must be replaced with a new one.

- Remove the oil seal retainer ⑯.



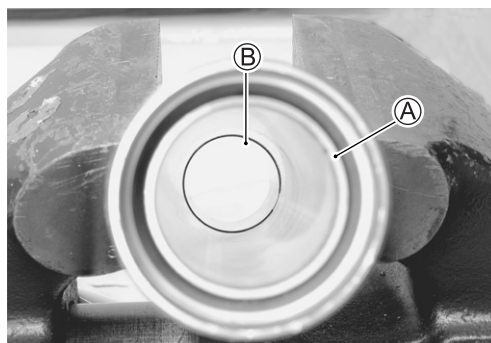
## INSPECTION

### INNER AND OUTER TUBES

- Inspect the inner tube outer surface and outer tube inner surface for scratches.
- Inspect the “ANTI-FRICTION” metal surfaces for scratches.
- If any defects are found, replace them with the new ones.

**CAUTION**

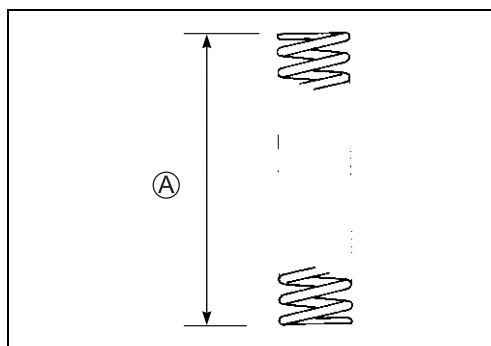
Do not remove the “ANTI-FRICTION” metals, ① and ②.



### FORK SPRING

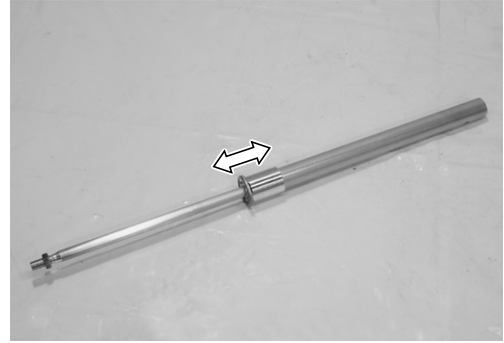
- Measure the fork spring free length.
- If it is shorter than the service limit, replace it with a new one.

**DATA** Front fork spring free length ①:  
Service Limit: 241 mm (9.49 in)



**DAMPER ROD**

- Move the inner rod by hand to examine it for smoothness.
- If any defects are found, replace inner rod/damper rod (cartridge) with a new one.

**REASSEMBLY**

Reassemble the front fork in the reverse order of disassembly. Pay attention to the following points:

**OIL SEAL AND DUST SEAL**

- Install the dust seal, oil seal stopper ring, oil seal and oil seal retainer onto the inner tube.

- ① Dust seal
- ② Oil seal stopper ring
- ③ Oil seal
- ④ Oil seal retainer

**CAUTION**

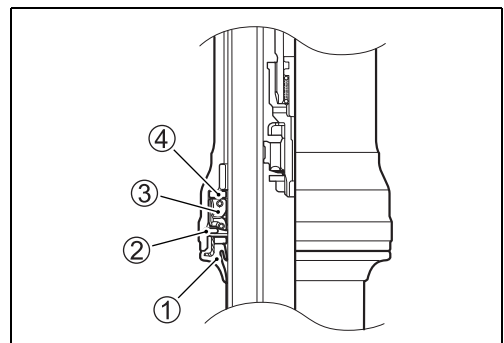
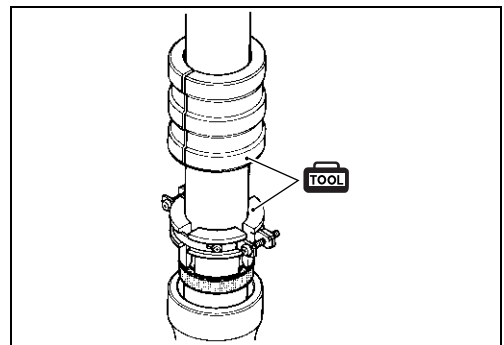
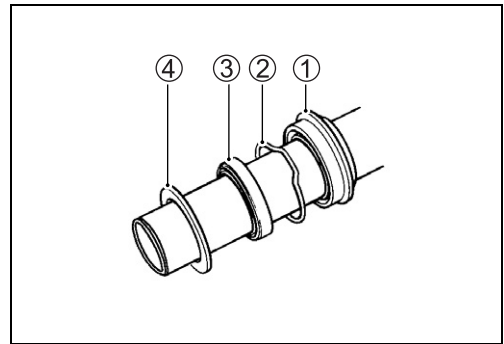
- \* When installing the oil seal to outer tube, be careful not to damage the oil seal lip.
- \* Avoid using solvents for washing to prevent oil seal damage.
- \* Apply fork oil to the Anti-friction metals and lip of the oil seal.
- \* Make sure that the oil seal stopper ring has been fitted securely.

- Insert the inner tube into the outer tube and fit the oil seal and dust seal with the special tool.

 **09940-52861: Front fork oil seal installer**

**NOTE:**

*Stamped mark on the oil seal should face outside.*



**DAMPER ROD BOLT**

- Insert the inner rod/damper rod (cartridge) into the inner tube.
- Apply **THREAD LOCK** to the damper rod bolt and tighten it to the specified torque with the special tool.

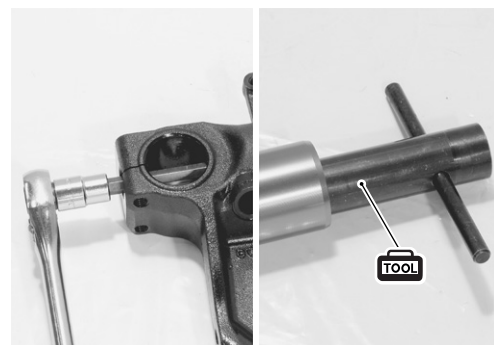
**1322** 99000-32110: **THREAD LOCK SUPER "1322"**  
(or equivalent thread lock)

**CAUTION**

Use a new damper rod bolt gasket ① to prevent oil leakage.

**TOOL** 09940-30221: Front fork assembling tool

**U** Damper rod bolt: 35 N·m (3.5 kgf·m, 25.5 lb·ft)



**COMPRESSION DAMPING FORCE ADJUSTER**

- Tighten the compression damping force adjuster to the specified torque.

**U** Compression damping force adjuster:  
23 N·m (2.3 kgf·m, 16.5 lb·ft)

**CAUTION**

The removed O-ring must be replaced with a new one.

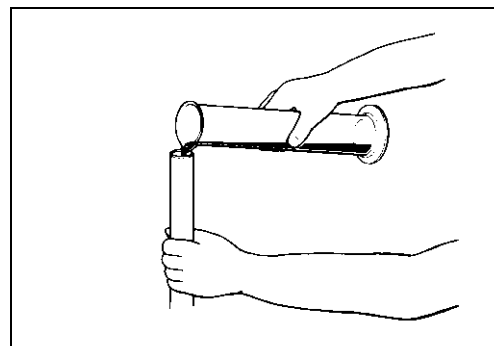


**FORK OIL**

- Place the front fork vertically without spring.
- Compress it fully.
- Pour specified front fork oil up to the top level of the outer tube.

**DATA** Capacity (each leg): 413 ml (14/14.5 US/Imp oz)

**FORK** 99000-99001-SS5: **SUZUKI FORK OIL SS-05** or  
an equivalent fork oil



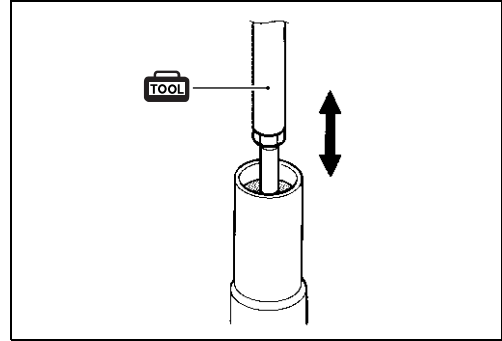


- Move the inner rod slowly with the special tool ten times and more until no more bubbles come out from the oil.

**TOOL** 09940-52841: Inner rod holder

**NOTE:**

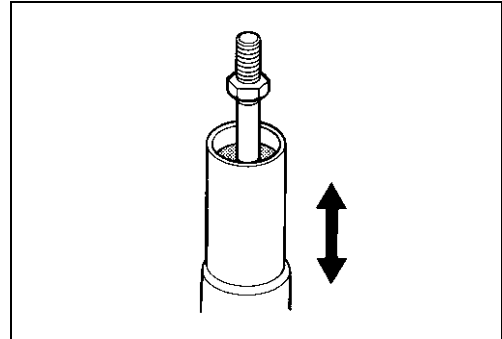
Refill front fork oil up to the top of the outer tube so that bubbles are visible while bleeding air.



- Refill specified front fork oil up to the top level of the outer tube again. Move the outer tube up and down several strokes until no more bubbles come out from the oil.
- Keep the front fork vertically and wait 5 – 6 minutes.

**NOTE:**

- \* Always keep oil level over the cartridge top end, or air may enter the cartridge during this procedure.
- \* Take extreme care so as to pump out air completely.



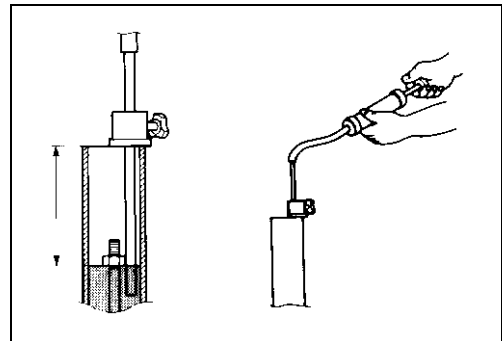
- Hold the front fork vertically and adjust fork oil level with the special tool.

**NOTE:**

When adjusting the fork oil level, compress the outer tube fully without the fork spring.

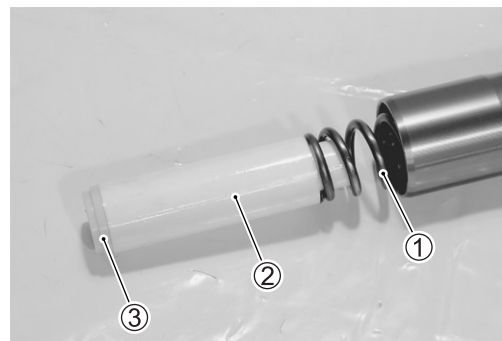
**DATA** Fork oil level: 107 mm (4.21 in)

**TOOL** 09943-74111: Front fork oil level gauge



**FORK SPRING**

- Install the fork spring.
- Install the spring ①, spacer ② and spring retainer ③.



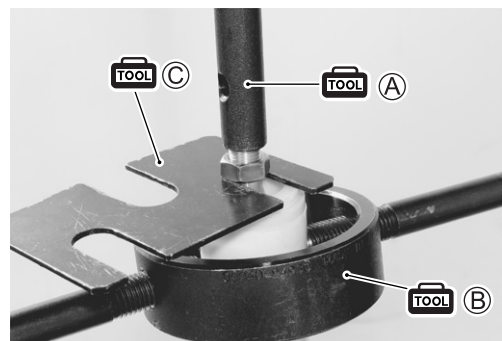
**FRONT FORK CAP BOLT**

- Pull up the inner rod with the special tool (A).
- Compress the spring with the special tool (B) and then insert the special tool (C) between the lock-nut and the spacer.

**TOOL** 09940-52841: Inner rod holder (A)

09940-94930: Front fork spacer holder (B)

09940-94922: Stopper plate (C)



- Insert the adjuster rod to the front fork cap bolt.
- Apply fork oil to the O-ring.

**CAUTION**

**The removed O-ring must be replaced with a new one.**

- Be sure to check or adjust the height ① of the rebound damping force adjuster as follows.

Ⓜ: 1.5 mm (0.05 in)

- Slowly turn the cap bolt completely by hand until the end of the cap bolt seats on the inner-rod.
- Apply fork oil to the O-ring.

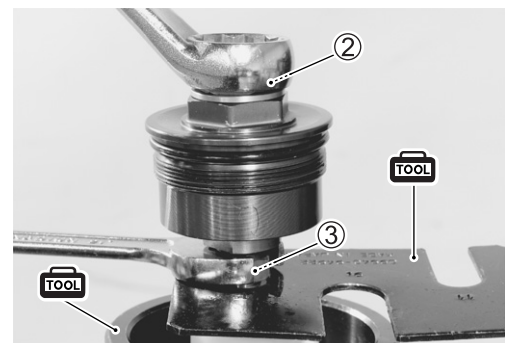
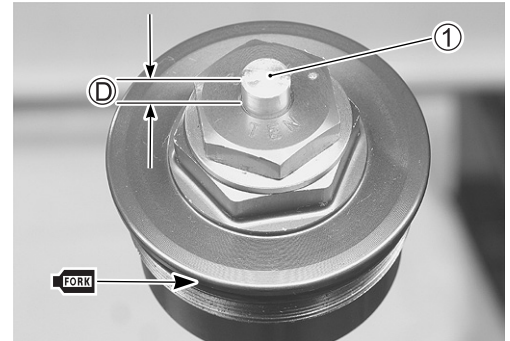
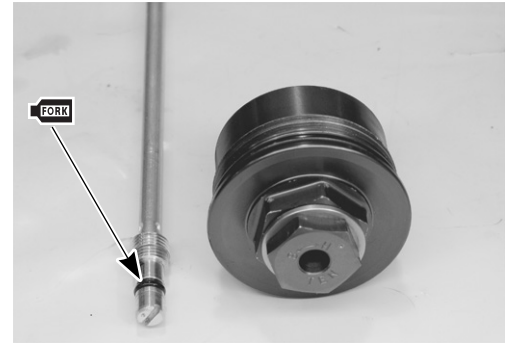
**CAUTION**

- \* The removed O-ring must be replaced with a new one.
- \* Make sure that the rebound damping force adjuster ① to the softest position before installing the cap bolt.

- Hold the cap bolt ② and tighten the lock-nut ③ to the specified torque.

**🔧 Inner rod lock-nut: 20 N·m (2.0 kgf-m, 14.5 lb-ft)**

- Remove the special tools.
- Install the front fork cap bolt to the outer tube temporarily.



## INSTALLATION

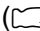
Install the front fork in the reverse order of removal. Pay attention to the following points:

- Set the upper surface of the outer tube height (A) at 5.0 mm (0.196 in) from the upper surface of the steering stem upper bracket and tighten the front fork lower clamp bolts (1) to the specified torque.

### Front fork lower clamp bolt: 23 N·m (2.3 kgf-m, 16.5 lb-ft)




- Tighten the front fork cap bolt (2) to the specified torque and recheck the front fork outer tube upper surface height (A) from the upper surface of the steering stem upper bracket.

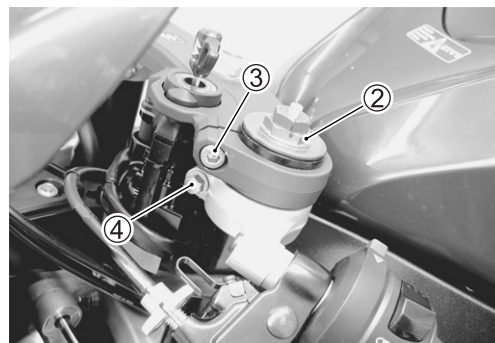
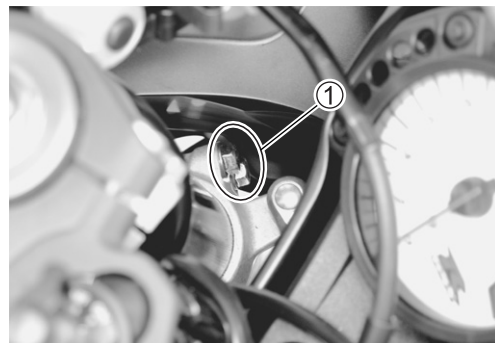
### Front fork cap bolt: 35 N·m (3.5 kgf-m, 25.5 lb-ft)

- Position the handlebars on the upper bracket.  
( 8-37 to -38)

- Tighten the front fork upper clamp bolts (3) and handlebar clamp bolts (4).

### Front fork upper clamp bolt: 23 N·m (2.3 kgf-m, 16.5 lb-ft) Handlebar clamp bolt: 23 N·m (2.3 kgf-m, 16.5 lb-ft)

- Remount the front wheel. ( 8-10)
- Cable routing ( 10-17)
- Front brake hose routing ( 10-24)



## SUSPENSION SETTING

After installing the front fork, adjust the spring pre-load and damping force as follows.

### SPRING PRE-LOAD ADJUSTMENT

Turn the damping force adjuster ① counterclockwise fully. It is at softest position and turn it out to standard setting position.

**DATA** STD position: 7 turns in from softest position

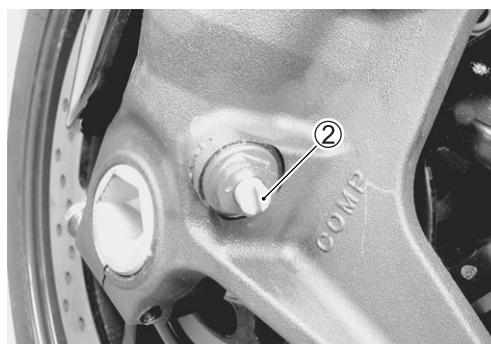


### DAMPING FORCE ADJUSTMENT

#### Compression damping force

Turn the damping force adjuster ② clockwise fully. It is at stiffest position and turn it out to standard setting position.pre-load.

**DATA** STD position: 1 3/4 turns out from stiffest position



#### Rebound damping force

Turn the damping force adjuster ② clockwise fully. It is at stiffest position and turn it out to standard setting position.pre-load.

**DATA** STD position: 1 3/4 turns out from stiffest position



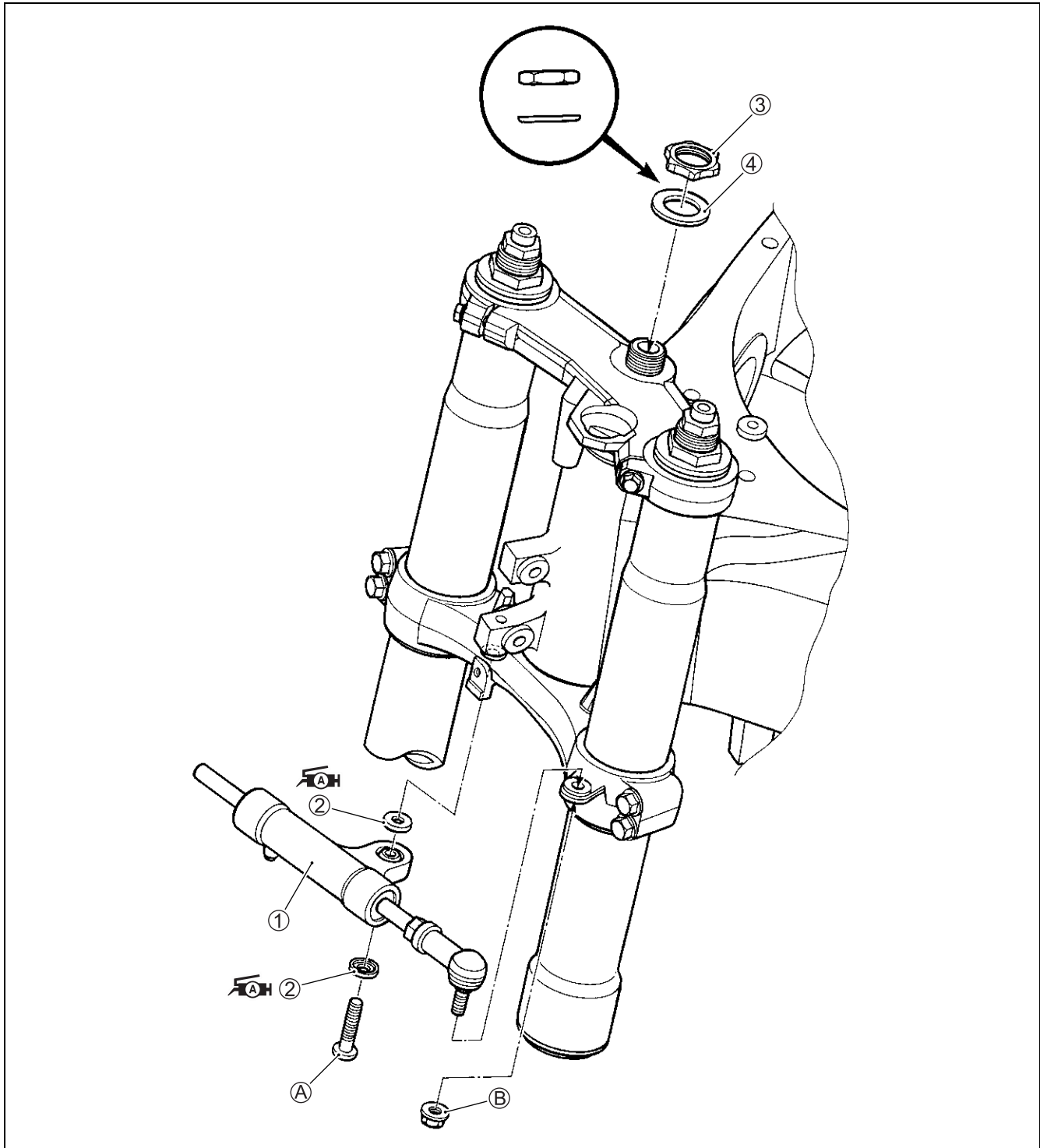
### STANDARD FRONT SUSPENSION SETTING

	FRONT		
	Spring pre-load adjuster	Damping force adjuster	
		Compression	Rebound
Solo and dual riding	7 turns in from softest position	1 3/4 turns out from stiffest position	1 3/4 turns out from stiffest position

### **ACHTUNG** ⚠ **WARNING**

Be sure to adjust the spring pre-load and damping force on both front fork legs equally.

# STEERING DAMPER CONSTRUCTION



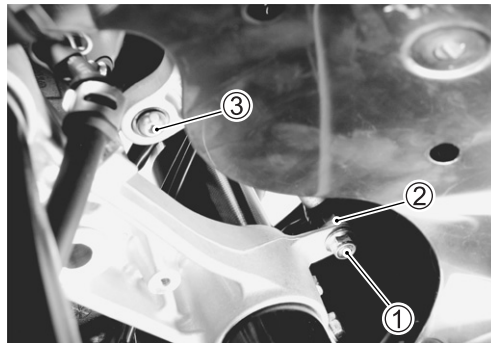
①	Steering damper	④	Convex curve side of the washer faces down side.
②	Dust seal	Ⓐ	Damper rod bolt
③	Steering stem head nut	Ⓑ	Damper rod nut



ITEM	N·m	kgf·m	lb·ft
ⒶⒷ	23	2.3	16.5
③	90	9.0	65.0

## REMOVAL

- Remove the lower bracket cover. (☞ 8-5)
- Remove the nut ① by holding the nut ②.
- Remove the bolt ③ and remove the steering damper.

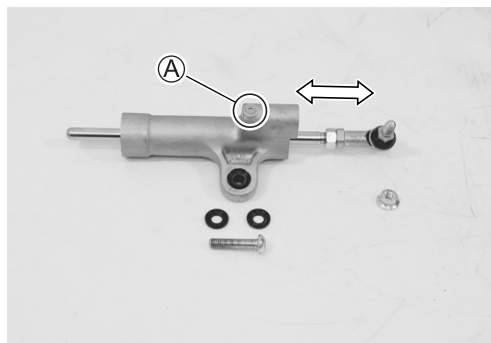


## INSPECTION

- Inspect the steering damper body, bearing and oil seal for damage and oil leaking.
- Move the steering damper rod by hand to inspect for a smooth movement.
- If any defects are found, replace the steering damper with a new one.

### CAUTION


Do not remove the bolt ①.

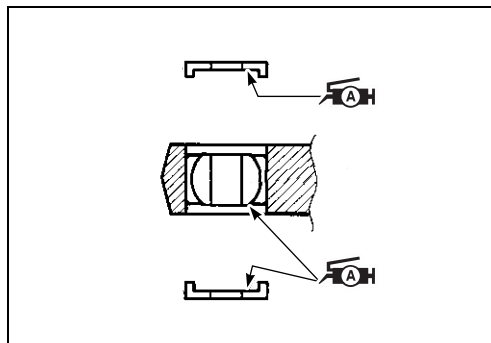


## INSTALLATION

Install the steering damper in the reverse order of removal. Pay attention to the following points:

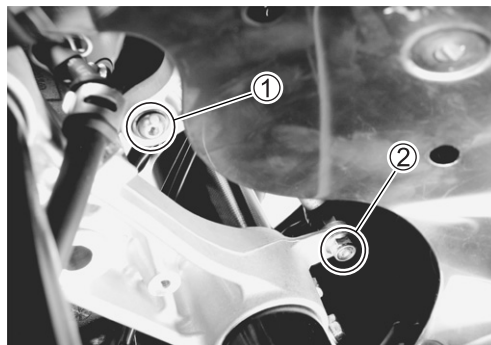
- Apply SUZUKI SUPER GREASE "A" to the bearings and dust seals.

 99000-25010: SUZUKI SUPER GREASE "A"  
(or equivalent grease)



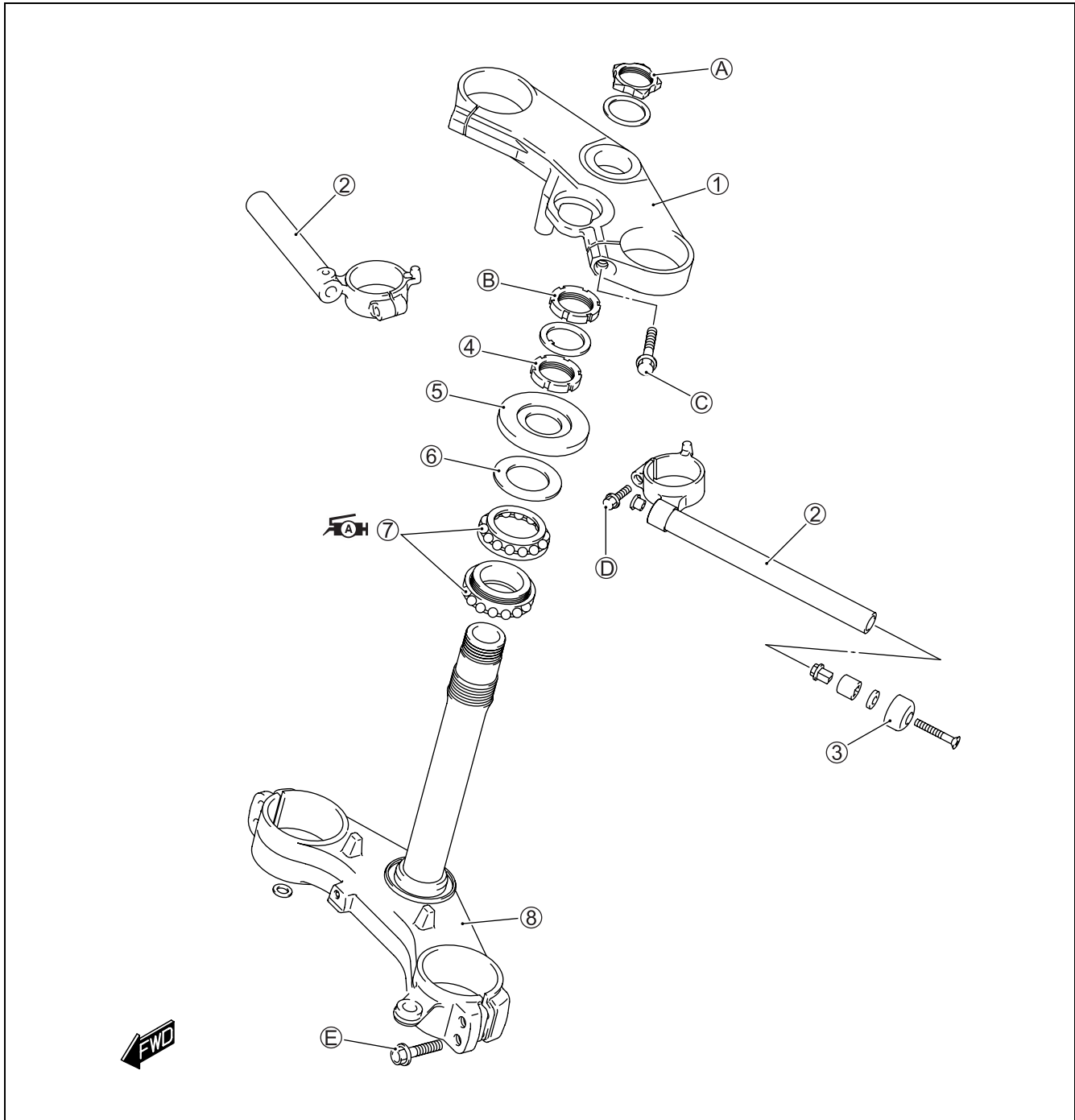
- Install the steering damper and tighten the bolt ① and nut ②.

 **Steering damper bolt and nut:**  
23 N·m (2.3 kgf-m, 16.5 lb-ft)





# STEERING CONSTRUCTION



①	Steering stem upper bracket	⑧	Steering stem lower bracket
②	Handlebars	Ⓐ	Steering stem head nut
③	Handlebar balancer	Ⓑ	Steering stem lock-nut
④	Steering stem nut	Ⓒ	Front fork upper clamp bolt
⑤	Dust seal cover	Ⓓ	Handlebar clamp bolt
⑥	Dust seal	Ⓔ	Front fork lower clamp bolt
⑦	Bearing		



ITEM	N-m	kgf-m	lb-ft
Ⓐ	90	9.0	65.0
Ⓑ	80	8.0	58.0
Ⓒ	23	2.3	16.5
Ⓓ	23	2.3	16.5
Ⓔ	23	2.3	16.5

## REMOVAL

- Remove the under cowling. (☞ 8-5)
- Support the motorcycle with a jack or a wooden block.

### CAUTION

**Do not work by using side stand. Do not support the motorcycle with exhaust pipe. Make sure that the motorcycle is supported securely.**

- Remove the front wheel. (☞ 8-10)
- Remove the front forks. (☞ 8-18)
- Remove the steering damper. (☞ 8-29)
- Remove the steering stem head nut ① and washer ②.
- Remove the steering stem upper bracket ③.

### NOTE:

*It is not necessary to remove the ignition switch, when replacing only the steering stem lower bracket and bearings.*

*(Ignition switch removal: ☞ 9-38)*

- Remove the brake hose clamp bolt.

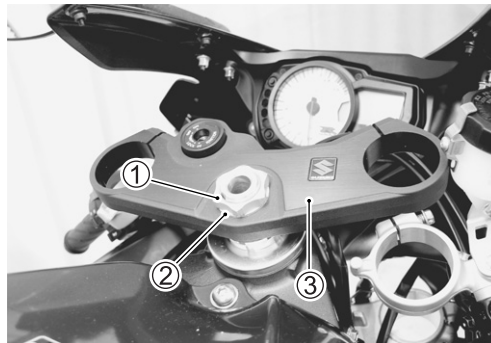
- Remove the steering stem lock-nut, washer and steering stem nut with the special tools.

**TOOL 09940-14911: Steering stem nut wrench**  
**09940-14960: Steering stem nut wrench socket**

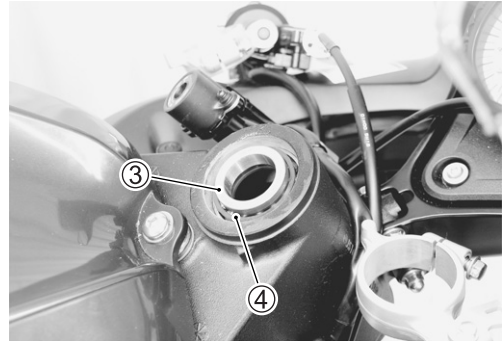
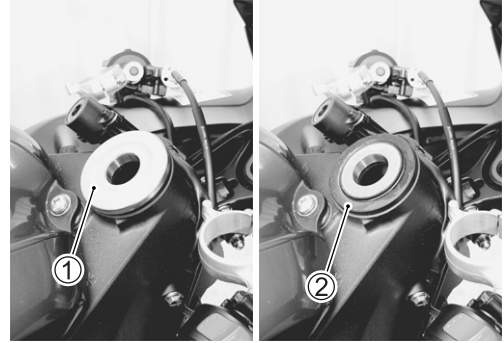
- Draw out the steering stem lower bracket.

### NOTE:

*Hold the steering stem lower bracket by hand to prevent it from falling.*



- Remove the dust seal cover ①, dust seal ②, steering stem upper bearing inner race ③ and bearing ④.



## INSPECTION AND DISASSEMBLY

Inspect the removed parts for the following abnormalities.

- \* Handlebars distortion
- \* Race wear and brinelling
- \* Bearing wear or damage
- \* Abnormal noise of bearing

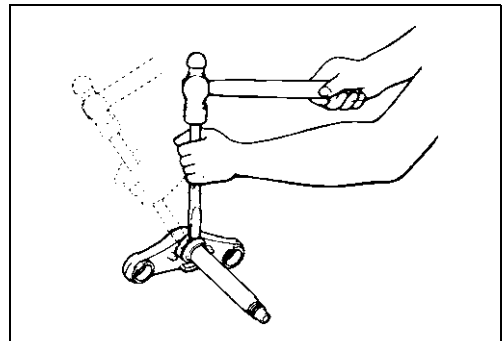
If any abnormal points are found, replace defective parts with the new ones.



- Remove the steering stem lower bearing inner race with a chisel.

### CAUTION

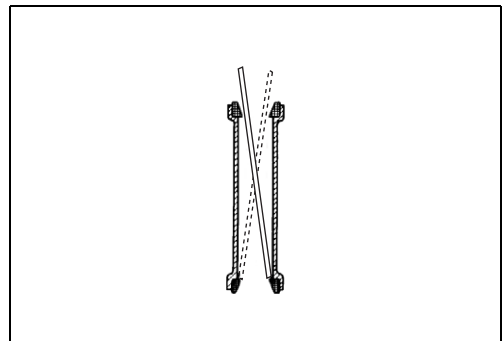
The removed bearing inner race must be replaced with a new one.



- Drive out the steering stem bearing outer races (upper and lower) using the steel rod.

### CAUTION

The removed bearing outer race must be replaced with a new one.



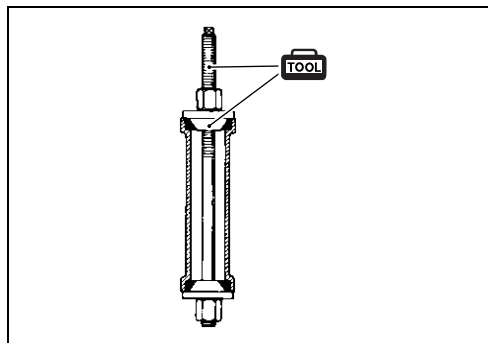
## REASSEMBLY

Reassemble the steering stem in the reverse order of disassembly. Pay attention to the following points:

### OUTER RACE

- Press in the upper and lower bearing outer races with the special tools.

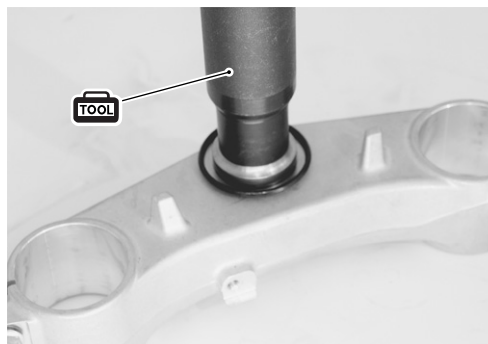
 **09941-34513: Steering outer race installer set**  
**09913-70210: Bearing installer set (φ55)**



### INNER RACE

- Press in the lower bearing inner race with the special tool.

 **09925-18011: Steering bearing installer**




## INSTALLATION

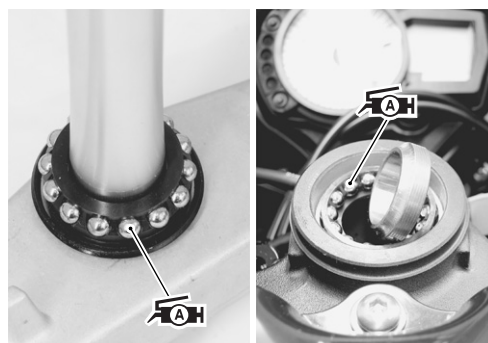
Install the steering stem in the reverse order of removal. Pay attention to the following points:

### BEARING

- Apply SUZUKI SUPER GREASE “A” to the bearings and bearing races.


 **99000-25010: SUZUKI SUPER GREASE “A”**  
**(or equivalent grease)**

- Install the lower bearing to the steering stem lower bracket.
- Install the upper bearing and bearing inner race.



### STEM NUT

- Install the dust seal and dust seal cover.
- Tighten the steering stem nut to the specified torque with the special tools.

 **09940-14911: Steering stem nut wrench**  
**09940-14960: Steering stem nut wrench socket**

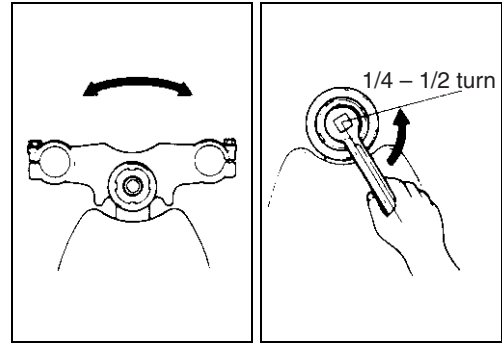
 **Steering stem nut: 45 N·m (4.5 kgf·m, 32.5 lb-ft)**



- Turn the steering stem lower bracket about five or six times to the left and right so that the angular ball bearings will be seated properly.
- Loosen the stem nut by 1/4 – 1/2 turn.

**NOTE:**

*This adjustment will vary from motorcycle to motorcycle.*

**NOTE:**

*When installing the washer, align the stopper lug to the groove of steering stem.*



- Install the steering stem lock-nut and tighten it to the specified torque with the special tools.

**TOOL** 09940-14911: Steering stem nut wrench  
09940-14960: Steering stem nut wrench socket

**U** Steering stem lock-nut: 90 N·m (9.0 kgf-m, 65.0 lb-ft)

**FRONT FORK AND STEERING STEM UPPER BRACKET**

Install the front fork and steering stem upper bracket in the following steps:

- 1) Install the upper bracket, washer ① and steering stem head nut ② temporarily.

**NOTE:**

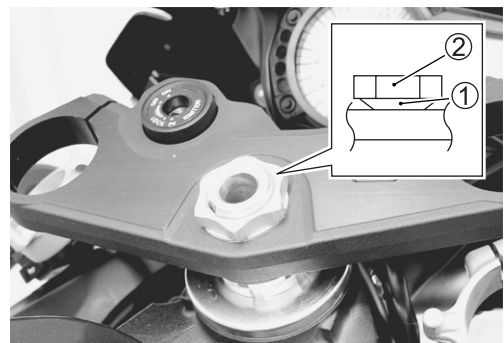
*Pay attention to the direction of the washer.*

- 2) Position the handlebars on the front forks and tighten the steering stem head nut ②.

**U** Steering stem head nut: 90 N·m (9.0 kgf-m, 65.0 lb-ft)

- 3) Tighten the front fork upper and lower clamp bolts. (☞ 8-26)

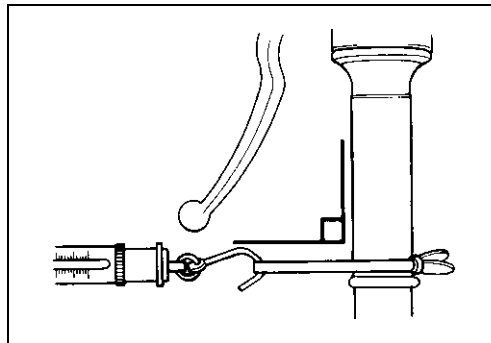
- Install the steering damper. (☞ 8-29)
- Install the front wheel. (☞ 8-15 and -16)
- Cable routing (☞ 10-17)



## STEERING TENSION ADJUSTMENT

Check the steering movement in the following procedure.

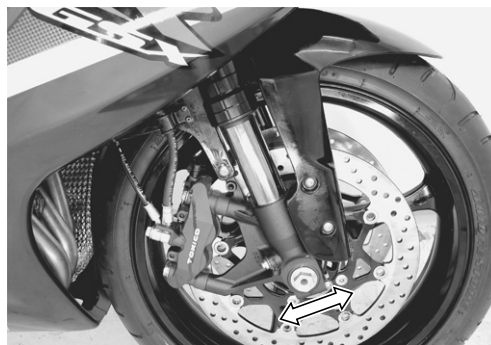
- By supporting the motorcycle with a jack, lift the front wheel until it is off the floor by 20 – 30 mm (0.8 – 1.2 in).
- Remove the steering damper. (☞ 8-29)
- Check to make sure that the cables and wire harnesses are properly routed.
- With the front wheel in the straight ahead state, hitch the spring scale (special tool) on one handlebar grip end as shown in the figure and read the graduation when the handlebar starts moving. Do the same on the other grip end.



**DATA** Initial force: 200 – 500 grams

**TOOL** 09940-92720: Spring scale

- If the initial force read on the scale when the handlebar starts turning is either too heavy or too light, adjust it till it satisfies the specification.
- 1) First, loosen the front fork upper clamp bolts, handlebar clamp bolts, steering stem head nut and steering stem lock-nut, and then adjust the steering stem nut by loosening or tightening it.
  - 2) Tighten the steering stem lock-nut, stem head nut, handlebar clamp bolts and front fork upper clamp bolts to the specified torque and re-check the initial force with the spring scale according to the previously described procedure.
  - 3) If the initial force is found within the specified range, adjustment has been completed.

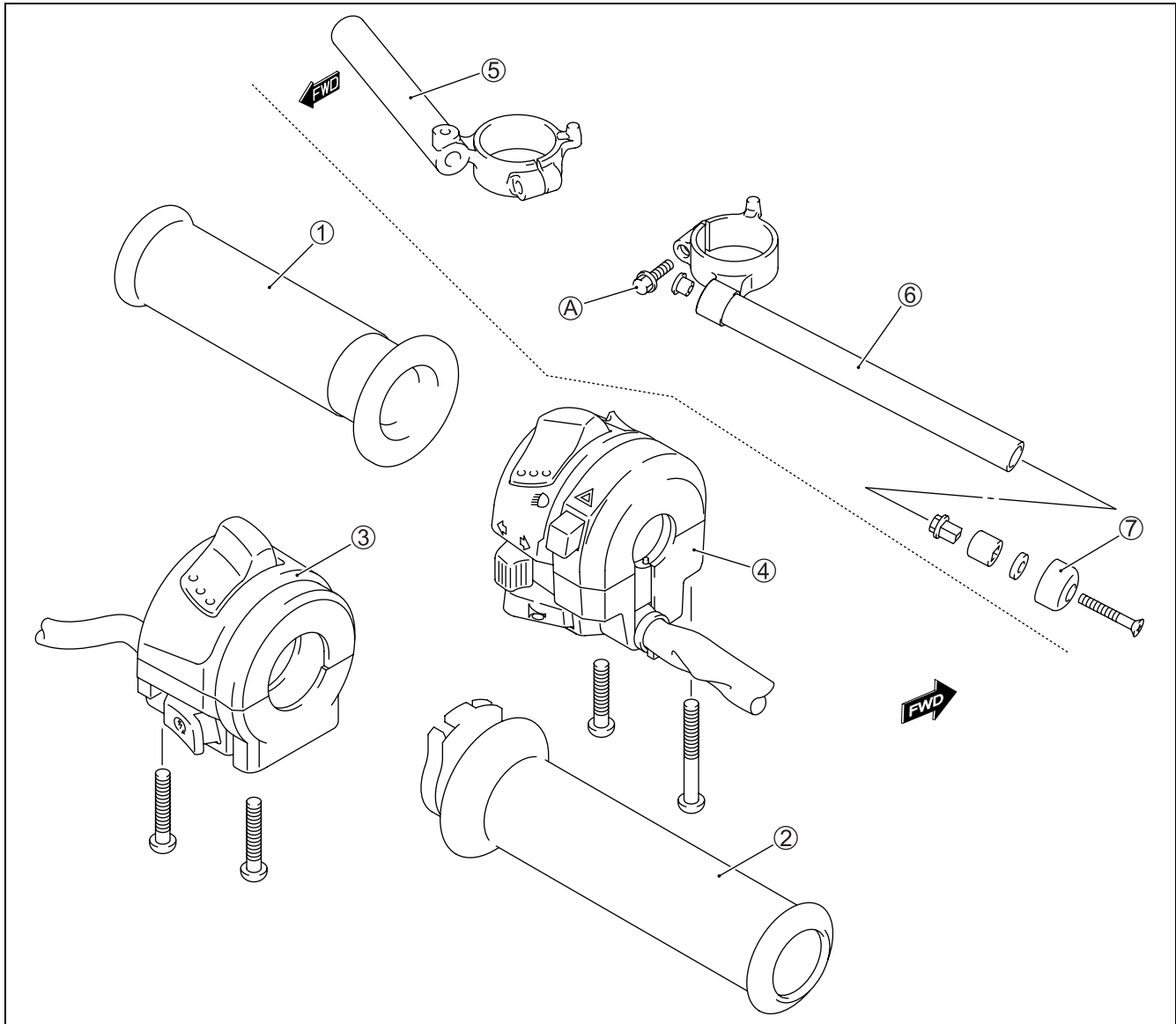


### NOTE:

*Hold the front fork legs, move them back and forth and make sure that the steering is not loose.*



## HANDLEBARS CONSTRUCTION



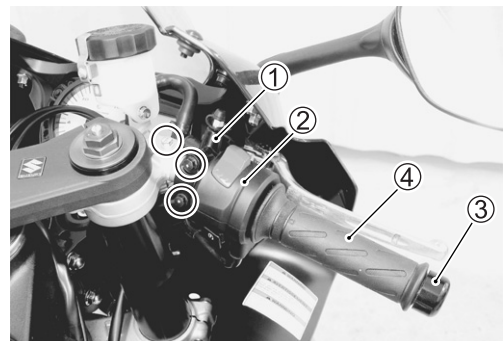
①	Left handle grip	⑤	Handlebar (RH)
②	Right handle throttle grip	⑥	Handlebar (LH)
③	Right handle switch	⑦	Handle balancer
④	Left handle switch	A	Handlebar clamp bolt



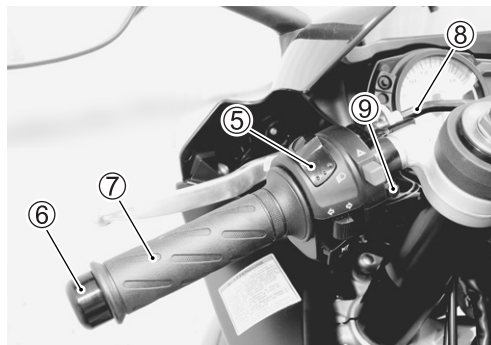
ITEM	N·m	kgf·m	lb·ft
A	23	2.3	16.5

## REMOVAL

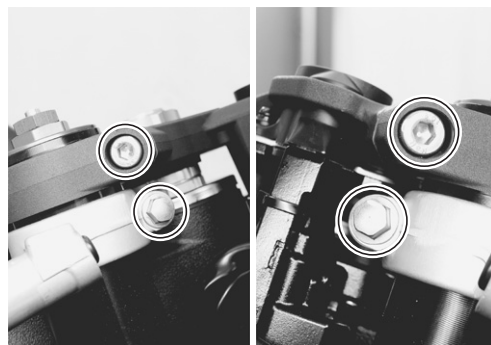
- Remove the brake master cylinder ①.
- Remove the right handle switch ②.
- Remove the handle balancer ③.
- Remove the right handle throttle grip ④.



- Remove the left handle switch ⑤ and disconnect the clutch lever switch lead wire.
- Remove the handle balancer ⑥.
- Remove the left handle grip ⑦.
- Disconnect the clutch cable ⑧.
- Remove the clutch lever holder ⑨.



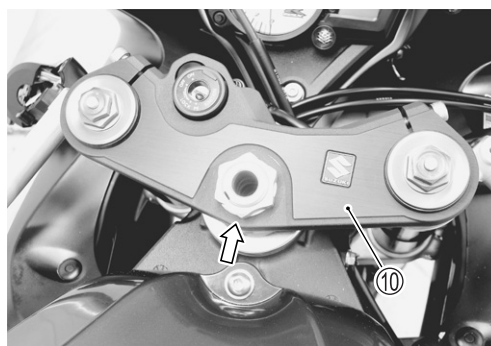
- Loosen the handlebar clamp bolts and front fork upper clamp bolts.



- Remove the steering stem upper bracket ⑩ by removing the steering stem head nut.

**NOTE:**

*Place a rag under the steering stem upper bracket to prevent scratching the body cowling and the air intake pipes.*



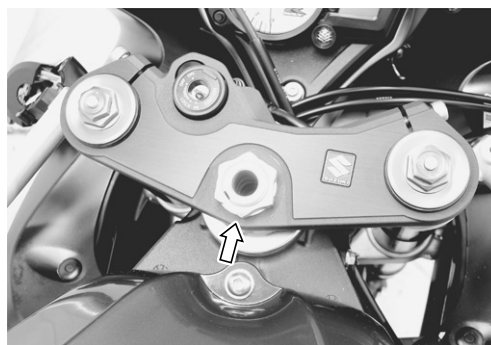
- Remove the handlebars ⑪ by sliding them upward.



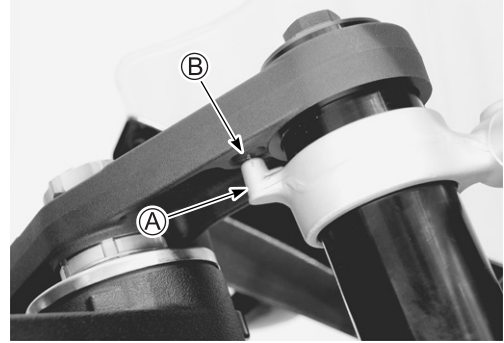
## INSTALLATION

Install the handlebars in the reverse order of removal. Pay attention to the following points:

- Install the handlebars temporarily.
- Install the steering stem upper bracket and washer. (☞ 8-34)

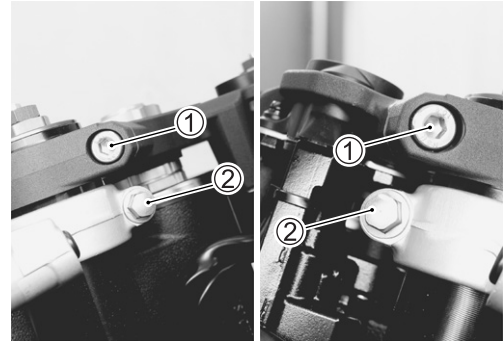


- Insert the protrusion (A) of the handlebars into the hole (B) of the steering stem upper bracket.

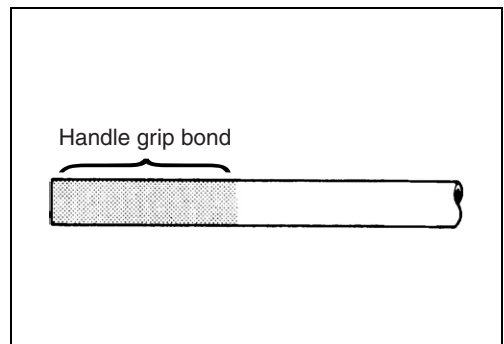


- Tighten the front fork upper clamp bolts (1) and handlebar clamp bolts (2) to the specified torque.

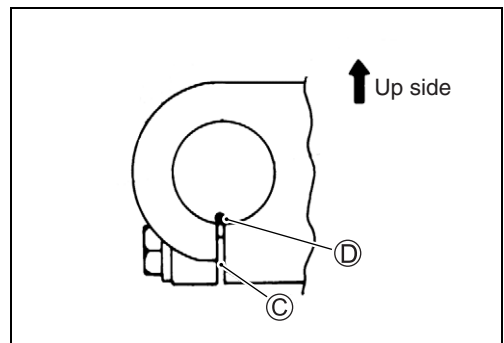
**🔩 Front fork upper clamp bolt: 23 N·m (2.3 kgf-m, 16.5 lb-ft)**  
**🔩 Handlebar clamp bolt: 23 N·m (2.3 kgf-m, 16.5 lb-ft)**



- Apply a handle grip bond onto the left handlebar before installing the handlebar grip.



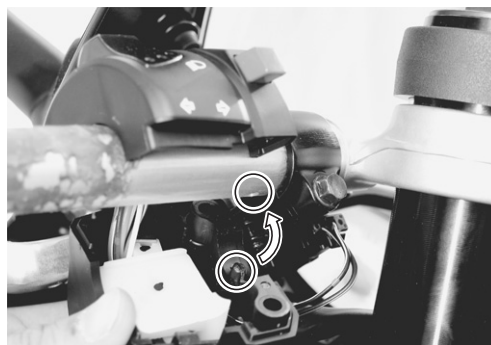
- Install the clutch lever holder, align the holder's mating surface (C) with punched mark (D) on the handlebar.
- Install the front brake master cylinder. (👉 8-74)






- Apply the SUZUKI SUPER GREASE “A” to the throttle cables and cable drum.

 **99000-25010: SUZUKI SUPER GREASE “A”**  
(or equivalent grease)

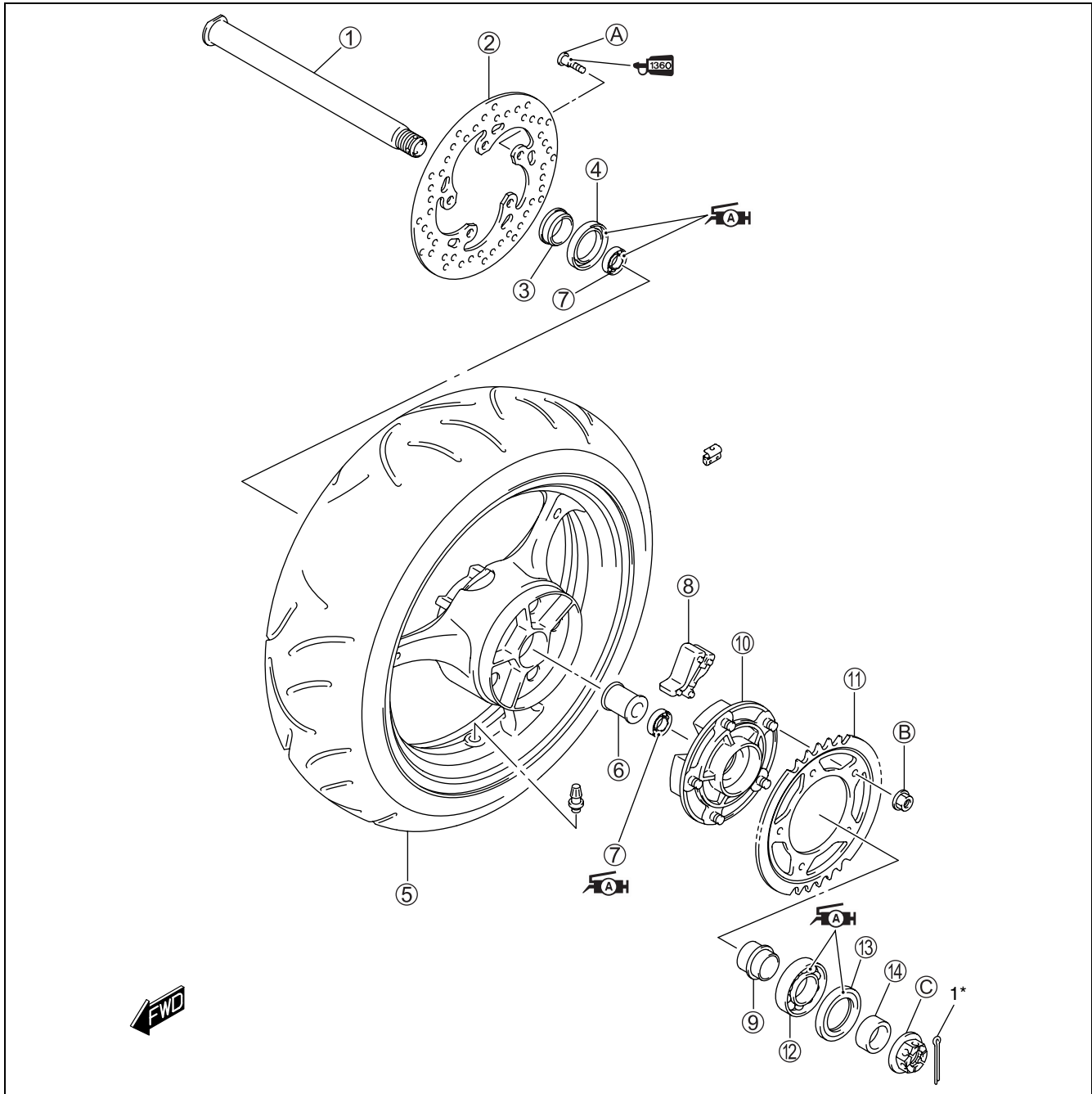
- When remounting the right and left handle switches, engage the stopper with the handlebar hole.



After installing the steering, the following adjustments are required before driving.

- Cable routing ( 10-17)
- Throttle cable play ( 2-15)
- Clutch lever play ( 2-16)

# REAR WHEEL CONSTRUCTION



①	Rear axle	⑩	Sprocket mounting drum
②	Brake disc	⑪	Sprocket
③	Collar	⑫	Bearing
④	Dust seal	⑬	Dust seal
⑤	Rear wheel	⑭	Collar
⑥	Spacer	A	Brake disc bolt
⑦	Bearing	B	Rear sprocket nut
⑧	Cushion	C	Rear axle nut
⑨	Spacer	*1	Except for E-03, 28, 33



ITEM	N-m	kgf-m	lb-ft
A	35	3.53	25.5
B	93	9.3	67.5
C	100	10.0	72.5

## REMOVAL

- Remove the cotter pin. (For E-03, 28, 33)
- Loosen the axle nut ①.
- Remove the under cowling. (☞ 8-5)
- Raise the rear wheel off the ground and support the motorcycle with a jack or wooden block.
- Remove the axle nut and draw out the rear axle.



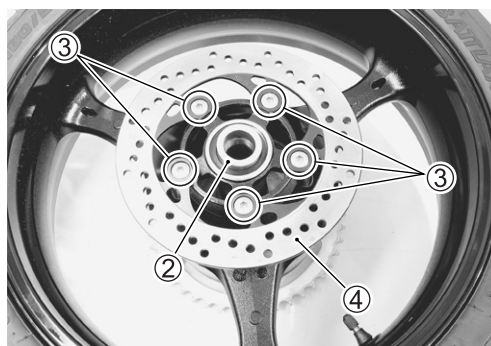
- Remove the rear wheel by disengaging the drive chain.

### CAUTION

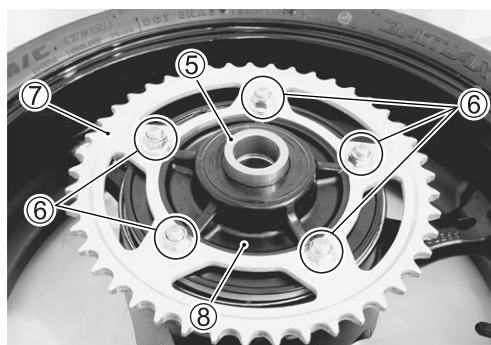
**Do not operate the brake pedal with the rear wheel removed.**



- Remove the collar ②.
- Remove the brake disc bolts ③.
- Remove the brake disc ④.



- Remove the collar ⑤.
- Loosen the rear sprocket mounting bolts ⑥ and separate the rear sprocket ⑦ from its mounting drum ⑧.
- Draw out the rear sprocket mounting drum ⑧ from the wheel hub.



- Remove the rear sprocket mounting drum retainer ⑨.



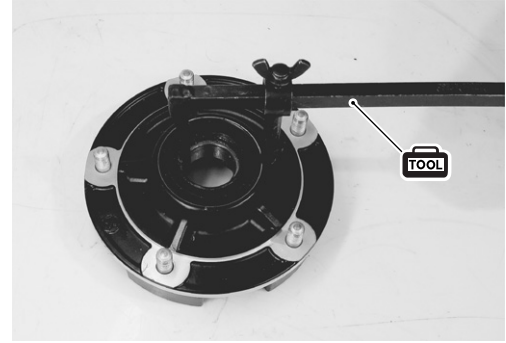


- Remove the dust seal with the special tool.

**TOOL** 09913-50121: Oil seal remover

**CAUTION**

The removed dust seal must be replaced with a new one.

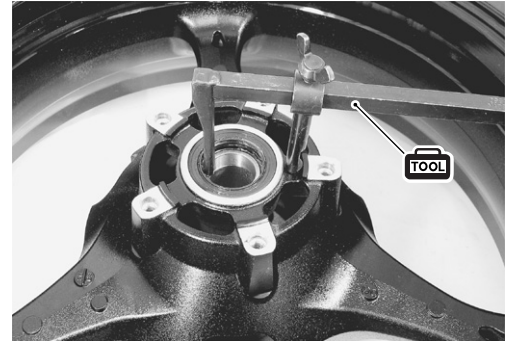


- Remove the dust seal with the special tool.

**TOOL** 09913-50121: Oil seal remover

**CAUTION**

The removed dust seal must be replaced with a new one.



## INSPECTION AND DISASSEMBLY

TIRE INSPECTION (☞ 2-x and 8-85)

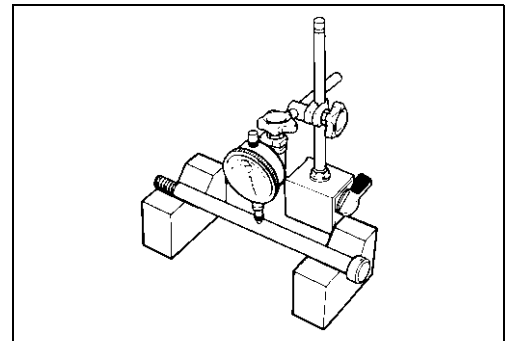
WHEEL INSPECTION (☞ 8-85)

### REAR AXLE

- Using a dial gauge, check the rear axle for runout.
- If the runout exceeds the limit, replace the rear axle.

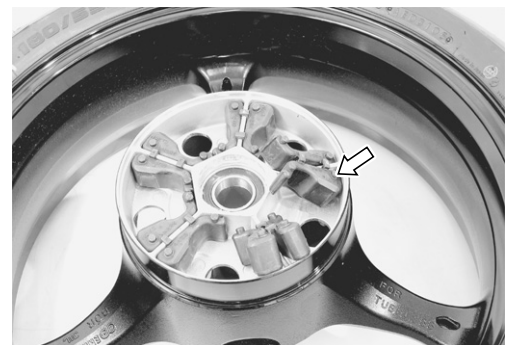
**DATA** Axle shaft runout: Service Limit: 0.25 mm (0.010 in)

- TOOL** 09900-20607: Dial gauge (1/100 mm)  
 09900-20701: Magnetic stand  
 09900-21304: V-block set (100 mm)



### WHEEL DAMPER

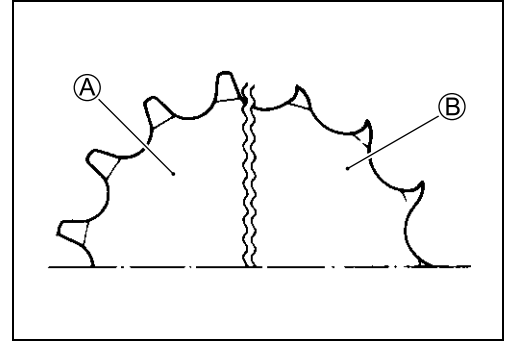
- Inspect the damper for wear and damage.
- Replace the damper if there is anything unusual.



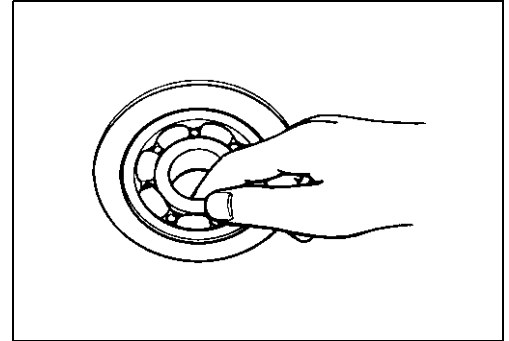
**SPROCKET**

- Inspect the sprocket teeth for wear.
- If they are worn as shown, replace the two sprockets and drive chain as a set.

- Ⓐ Normal wear
- Ⓑ Excessive wear

**BEARINGS**

- Inspect the play of the wheel bearing and sprocket mounting drum bearing by hand while they are installed in place. Rotate the inner race by hand to inspect for abnormal noise and smooth rotation.
- Replace the bearing if there is anything unusual.



- Remove the sprocket mounting drum bearing with the special tool.

 **09913-70210: Bearing installer set**



- Remove the wheel bearings with the special tool.

 **09921-20240: Bearing remover set**

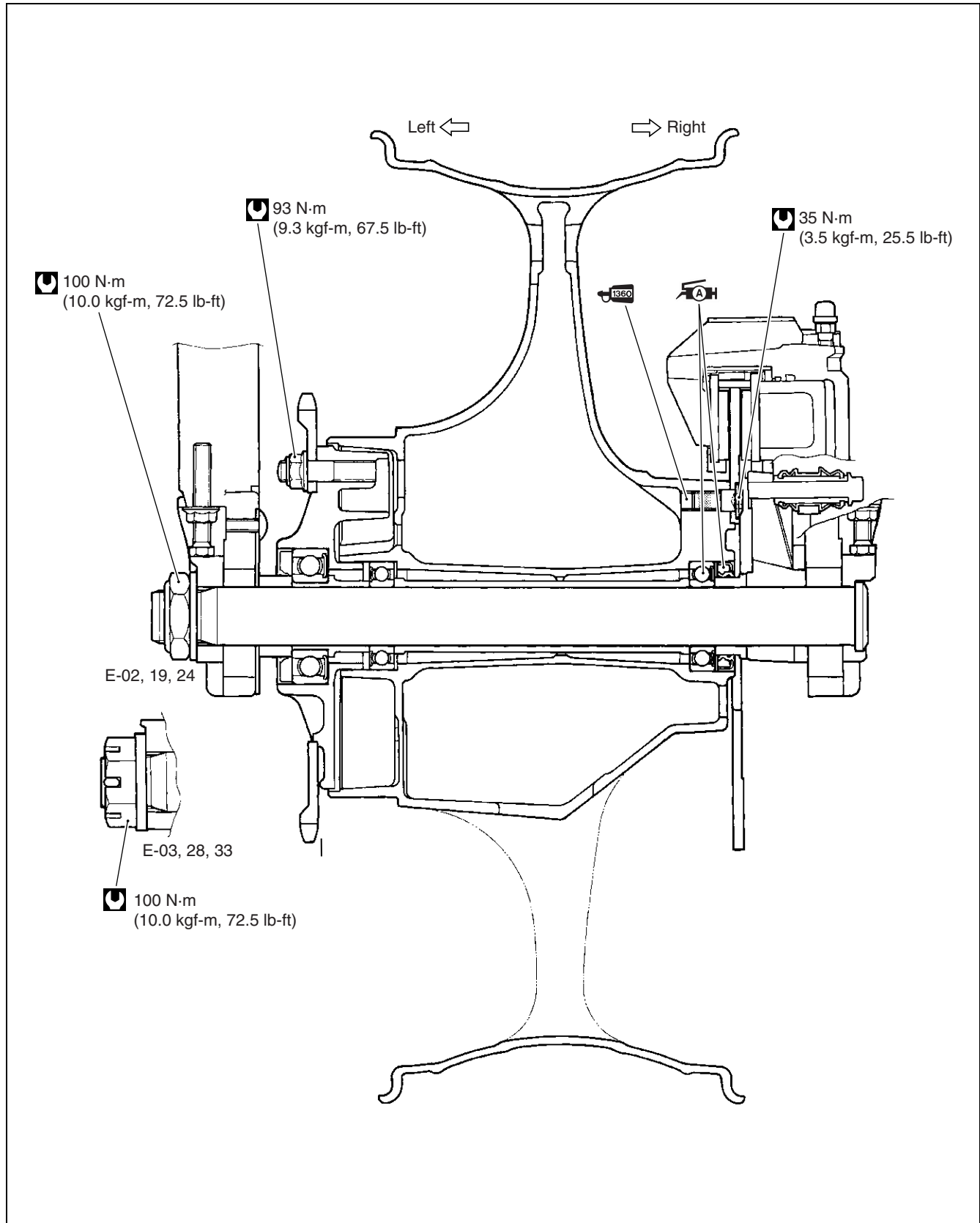
**CAUTION**

**The removed bearings must be replaced with the new ones.**



## REASSEMBLY AND INSTALLATION

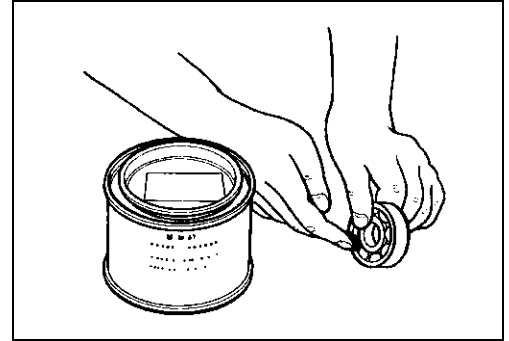
Reassemble and install the rear wheel in the reverse order of removal and disassembly. Pay attention to the following points:



**BEARINGS**

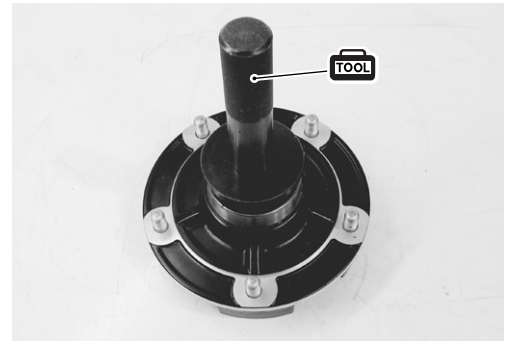
- Apply SUZUKI SUPER GREASE “A” to the bearings before installing.

 **99000-25010: SUZUKI SUPER GREASE “A”**  
(or equivalent grease)




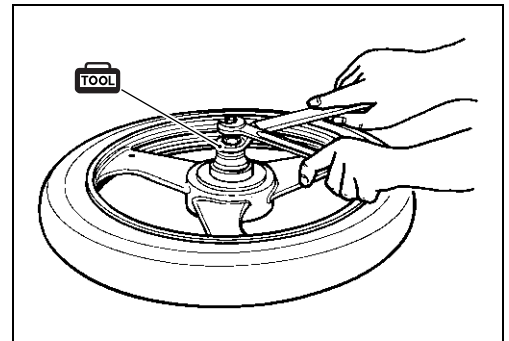
- Install the new bearing to the sprocket mounting drum with the special tool.

 **09913-70210: Bearing installer set**



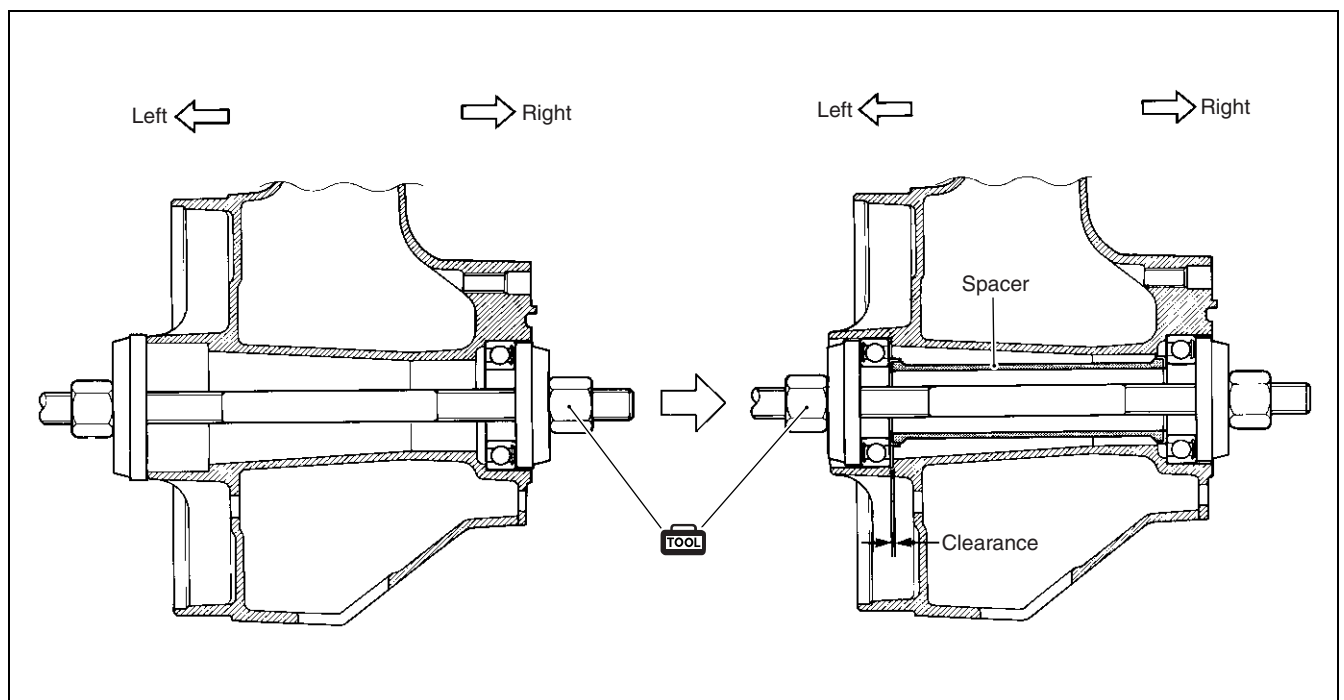
- First install the right wheel bearing, then install the left wheel bearing with the special tools.

 **09941-34513: Steering race installer**  
**09924-84510: Bearing installer set**



**CAUTION**

The sealed cover of the bearing must face outside.

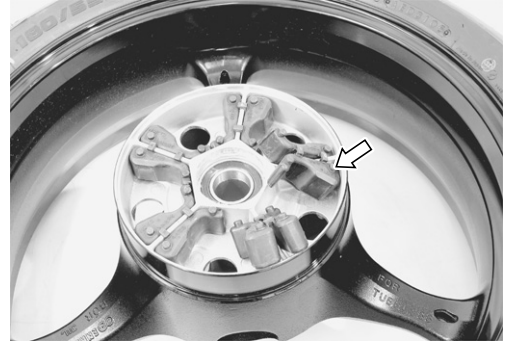


**WHEEL DAMPER**

- To install the wheel dampers, apply a special tire lubricant or neutral soapy liquid to the damper surface.


**CAUTION**

\* Never use oil, grease or gasoline on the damper in place of the tire lubricant.



**DUST SEALS**

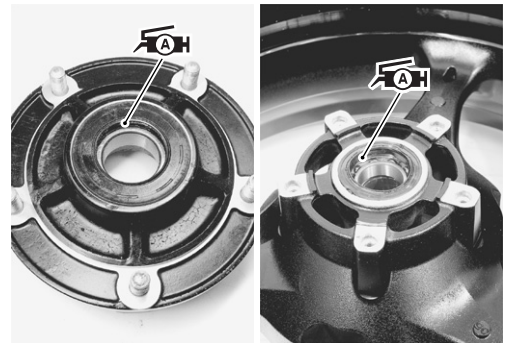
- Install the new dust seal with the special tool.

 09913-70210: Bearing installer set



- Apply SUZUKI SUPER GREASE “A” to the dust seal lip before assembling rear wheel.

 99000-25010: SUZUKI SUPER GREASE “A”  
(or equivalent grease)



**REAR SPROCKET AND SPROCKET MOUNTING DRUM**

- Install the rear sprocket mounting drum spacer ①.
- Install the rear sprocket mounting drum to the rear wheel.



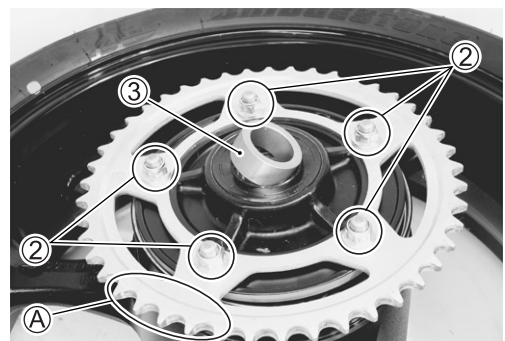
- Tighten the sprocket mounting nuts ② to the specified torque.

 Rear sprocket nut: 93 N·m (9.3 kgf-m, 67.5 lb-ft)

**NOTE:**

Stamped mark (A) on the sprocket should face outside.

- Install the collar ③.



**BRAKE DISC**

- Apply **THREAD LOCK** to the disc bolts and tighten them to the specified torque.

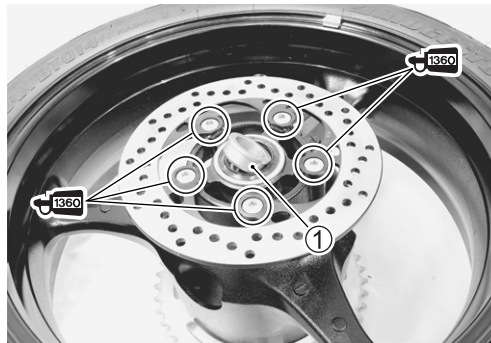
**NOTE:**

*Make sure that the brake disc is clean and free of any greasy matter.*

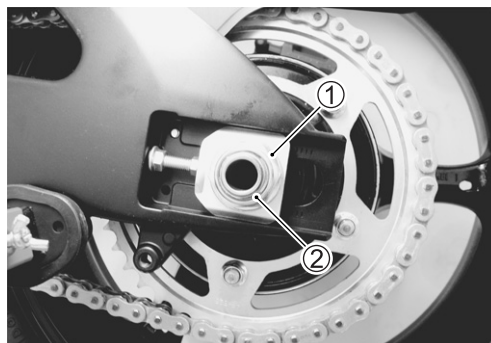
 **99000-32130: THREAD LOCK SUPER “1360”**

 **Brake disc bolt: 35 N·m (3.5 kgf-m, 25.5 lb-ft)**

- Install the collar ①.

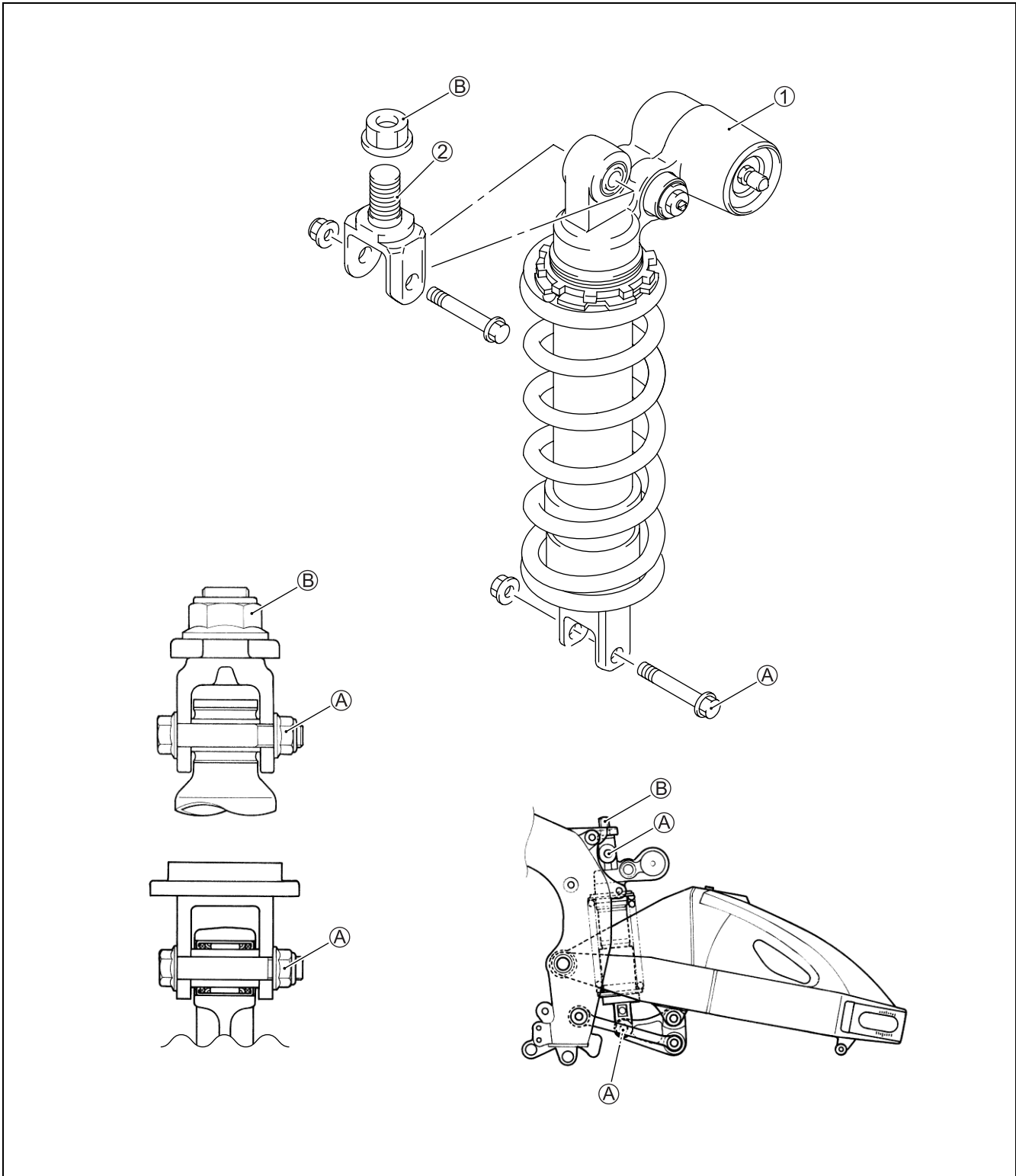
**REAR AXLE**

- Remount the rear wheel and rear axle shaft, and install the washer ① (Except for E-03, 28, 33) and rear axle nut ②.
- Adjust the chain slack after rear wheel installation. (➡ 2-20)





# REAR SHOCK ABSORBER CONSTRUCTION

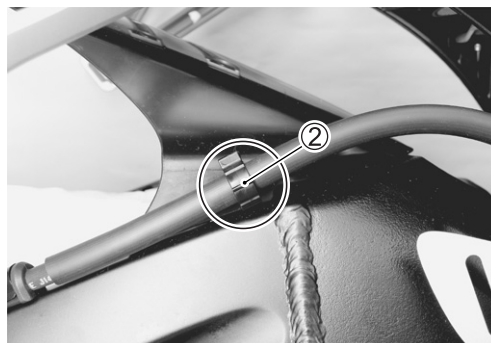


①	Rear shock absorber	Ⓐ	Rear shock absorber mounting bolt/nut
②	Rear shock absorber bracket	Ⓑ	Rear shock absorber bracket nut

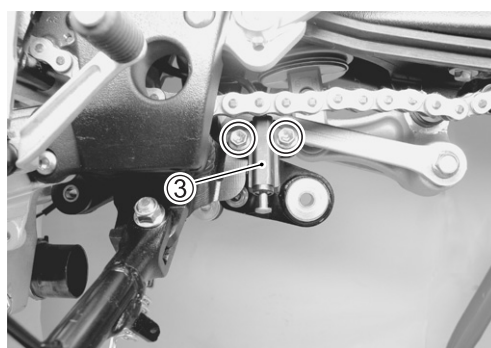
ITEM	N·m	kgf·m	lb·ft
Ⓐ	50	5.0	36.0
Ⓑ	115	11.5	83.0

## REMOVAL

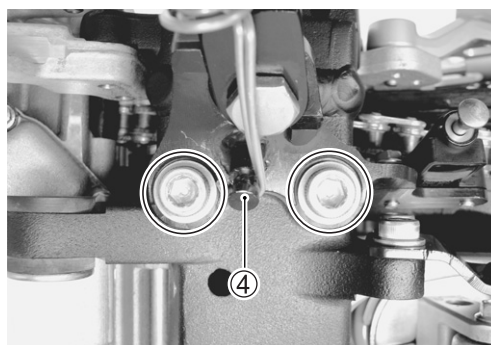
- Remove the front seat. (☞ 8-5)
- Remove the fuel tank. (☞ 5-4)
- Disconnect the HO<sub>2</sub> sensor lead wire coupler. (☞ 10-40)
- Remove the under cowling. (☞ 8-5)
- Remove the exhaust muffler. (☞ 6-10)
- Loosen the axle nut.
- Support the motorcycle with a jack relieve no load on the rear shock absorber.
- Remove the rear wheel. (☞ 8-41)
- Remove the rear brake hose clamp ①.
- Remove the rear brake hose guide ②.



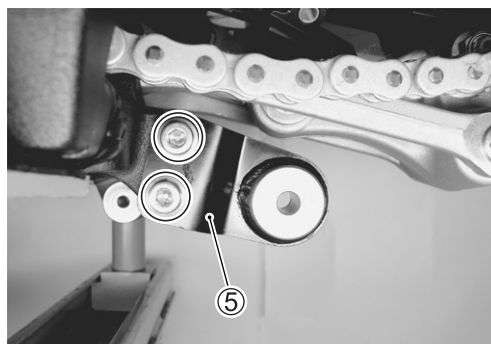
- Remove the side-stand switch ③.



- Remove the side-stand bracket ④.



- Remove the exhaust muffler bracket-left ⑤.



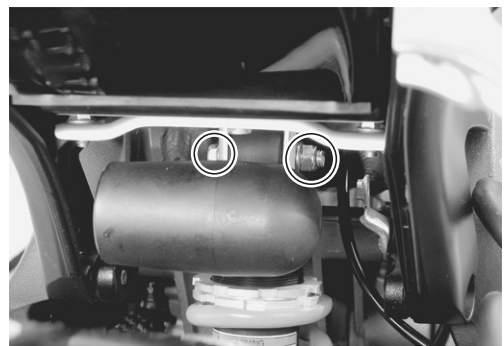
- Remove the brake fluid reservoir mounting bolt.



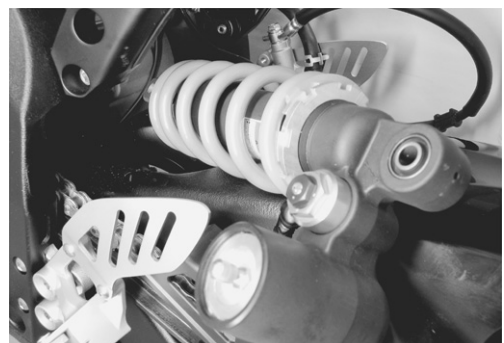
- Loosen the rear shock absorber bracket.



- Remove the rear shock absorber upper and lower mounting bolts and nuts.



- Remove the rear shock absorber.



## INSPECTION

Inspect the shock absorber body and bushing for damage and oil leakage.

If any defects are found, replace the shock absorber with a new one.

### CAUTION

**Do not attempt to disassemble the rear shock absorber unit. It is unserviceable.**



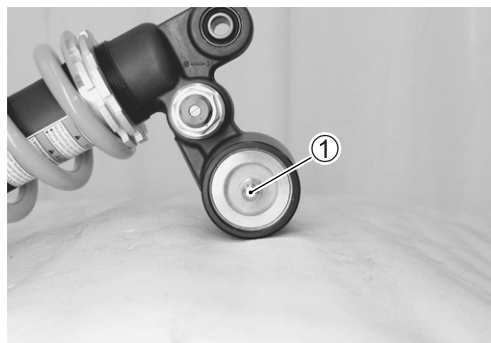
## REAR SHOCK ABSORBER SCRAPPING PROCEDURE

### ⚠ WARNING

- \* The rear shock absorber unit contains high-pressure nitrogen gas.
- \* Mishandling can cause explosion.
- \* Keep away from fire and heat. High gas pressure caused by heat can cause an explosion.
- \* Release gas pressure before scrapping.

### REAR SHOCK ABSORBER GAS RELEASE

- Remove the valve cap ①.



- Press the valve with a screwdriver to bleed out the nitrogen gas.

### **⚠ WARNING**

- \* Releasing high pressure gas from the rear shock absorber unit can be hazardous. Never perform any servicing until the nitrogen gas pressure has been released from the rear shock absorber unit.
- \* When releasing the gas pressure, place a rag over the gas valve and use the tip of a screwdriver to press the valve. Do not use your finger to depress the gas valve, and be sure to direct the valve away from your face and body.
- \* Be sure to always wear eye protection when performing this procedure.

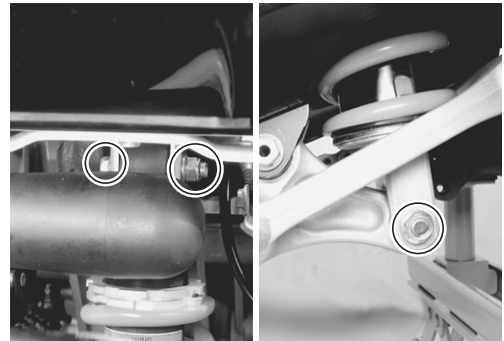


## INSTALLATION

Remount the rear shock absorber in the reverse order of removal. Pay attention to the following points:

- Install the rear shock absorber and tighten the rear shock absorber upper/lower mounting bolts and nuts.

**🔩 Rear shock absorber mounting nut:**  
50 N·m (5.0 kgf·m, 36.0 lb-ft)



- Tighten the rear shock absorber bracket nut to the specified torque.

**🔩 Rear shock absorber bracket nut:**  
115 N·m (11.5 kgf·m, 83.0 lb-ft)



## SUSPENSION SETTING

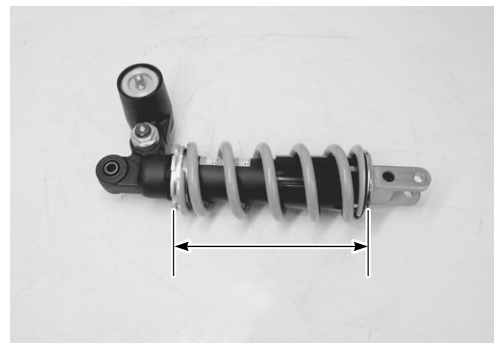
After installing the rear suspension, adjust the spring pre-load and damping force as follows.

### SPRING PRE-LOAD ADJUSTMENT

The set length 176.4 mm (6.94 in) provides the maximum spring pre-load.

The set length 186.4 mm (7.34 in) provides the minimum spring pre-load.

**DATA** STD length: 181.4 mm (7.14 in)



### DAMPING FORCE ADJUSTMENT

#### Rebound side

Turn the damping force adjuster ① clockwise fully. It is at stiffest position and turn it out to standard setting position.

**DATA** STD position: 1 3/4 turns out from stiffest position

[Fine-tune the adjuster by turning it slightly until two punch marks align.]

#### Low speed Compression side

Turn the damping force adjuster ② clockwise fully. It is at stiffest position and turn it out to standard setting position.

**DATA** STD position: 1 3/4 turns out from stiffest position

[Fine-tune the adjuster by turning it slightly until two punch marks align.]

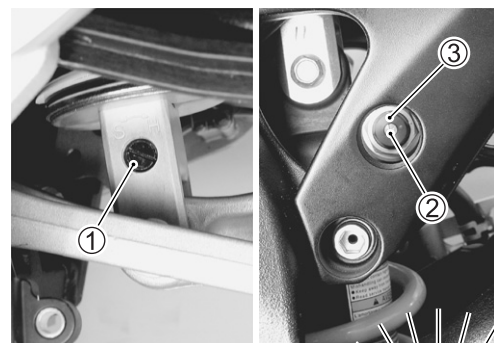
#### High speed Compression side

Turn the damping force adjuster ③ clockwise fully. It is at stiffest position and turn it out to standard setting position.

**DATA** STD position: 3 turns out from stiffest position

[

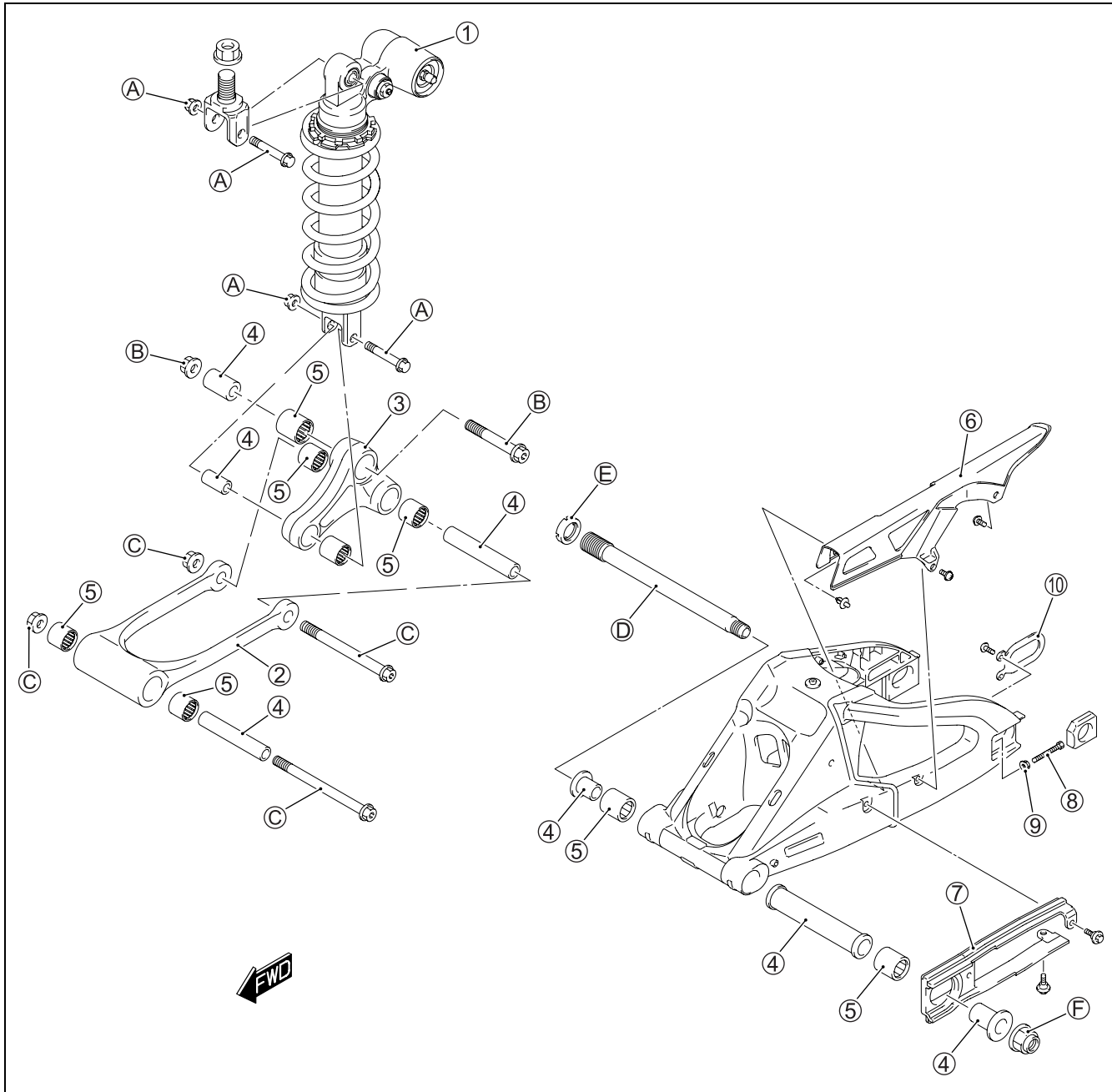
**DATA** Standard suspension setting



	REAR			
	Spring set length	Damping force adjuster		
		Rebound	Compression	
Solo and dual riding	181.4 mm (7.14 in)	1 3/4 turns out from stiffest position	Low speed side: 1 3/4 turns out from stiffest position	High speed side: 3 turns out from stiffest position



# REAR SUSPENSION CONSTRUCTION



① Rear shock absorber	⑩ Plate
② Rear cushion rod	A Rear shock absorber mounting bolt/nut
③ Rear cushion lever	B Rear cushion lever bolt/nut
④ Spacer	C Rear cushion rod bolt/nut
⑤ Bearing	D Swingarm pivot shaft
⑥ Chain cover	E Swingarm pivot lock nut
⑦ Chain buffer	F Swingarm pivot nut
⑧ Chain adjuster	
⑨ Chain adjuster lock-nut	



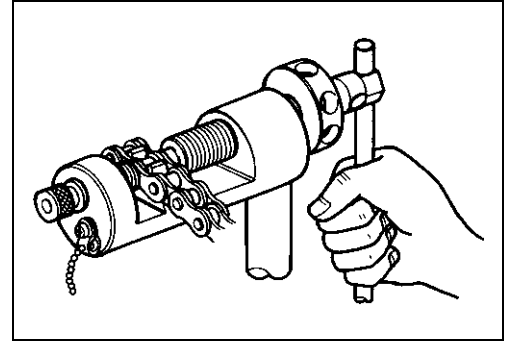
ITEM	N-m	kgf-m	lb-ft
A	50	5.0	36.0
B	98	9.8	71.0
C	78	7.8	56.5
D	15	1.5	11.0
E	90	9.0	65.0
F	100	10.0	72.5

## REMOVAL

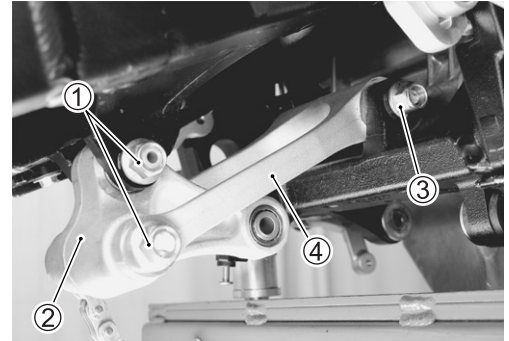
- Cut the drive chain. (☞ 8-89 and -90)

### NOTE:

*It is not necessary to cut the drive chain, unless replacing drive chain or swingarm.*

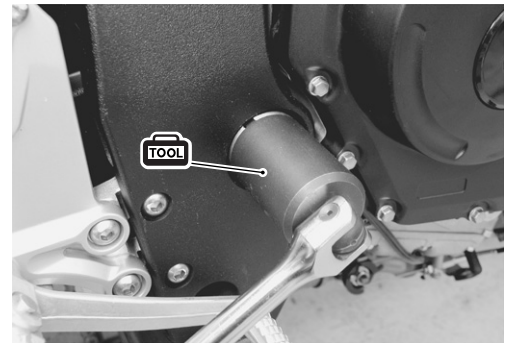


- Remove the rear shock absorber. (☞ 8-49 and -50)
- Remove the cushion lever mounting bolt/nut ①.
- Remove the cushion lever ②.
- Remove the cushion rod mounting bolt/nut ③.
- Remove the cushion rod ④.



- Remove the swingarm pivot shaft lock-nut with the special tool.

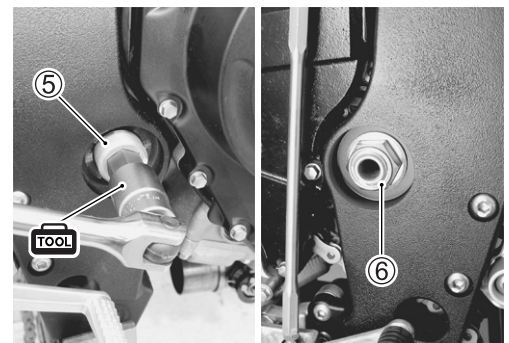
**TOOL 09940-14940: Swingarm pivot thrust adjuster socket wrench**



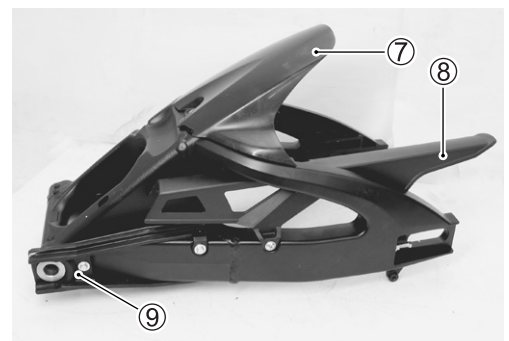
- Hold the swingarm pivot shaft ⑤ and remove the swingarm pivot nut ⑥.

**TOOL 09944-28320: Hexagon socket (19 mm)**

- Draw out the swingarm pivot shaft.
- Remove the rear suspension assembly.



- Remove the rear fender (lower) ⑦.
- Remove the chain case ⑧ and chain buffer ⑨.



- Remove the plate ⑩.



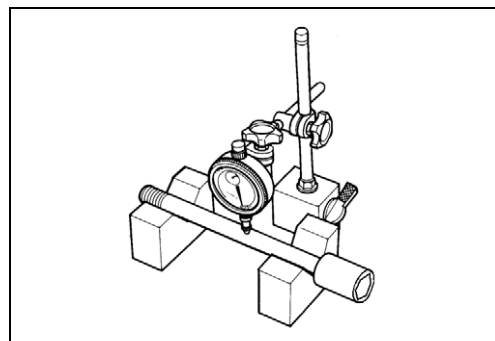
## INSPECTION

### SWINGARM PIVOT SHAFT

- Using a dial gauge, check the pivot shaft runout and replace it if the runout exceeds the limit.

**DATA** Swingarm pivot shaft runout:  
Service limit: 0.3 mm (0.01 in)

**TOOL** 09900-20607: Dial gauge (1/100 mm, 10 mm)  
09900-20701: Magnetic stand  
09900-21304: V-block set (100 mm)



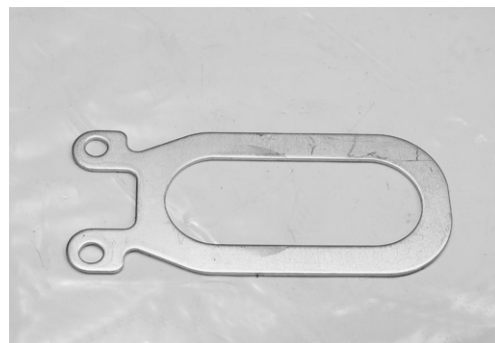
### CHAIN BUFFER

- Inspect the chain buffer for wear and damage.
- If any defects are found, replace the chain buffer with a new one.



### PLATE

- Inspect the plate for damage and excessive bend.
- If any defects are found, replace the plate with a new one.



**SWINGARM**

- Inspect the swingarm for damage. If any damages are found, replace the swingarm with a new one.

**CUSHION ROD**

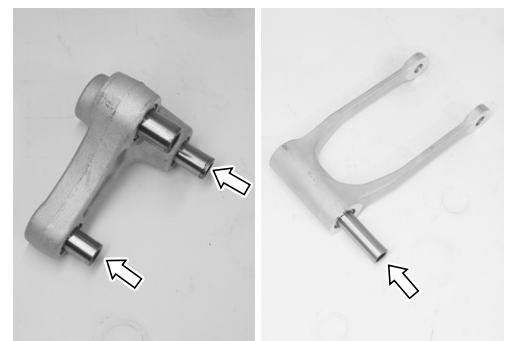
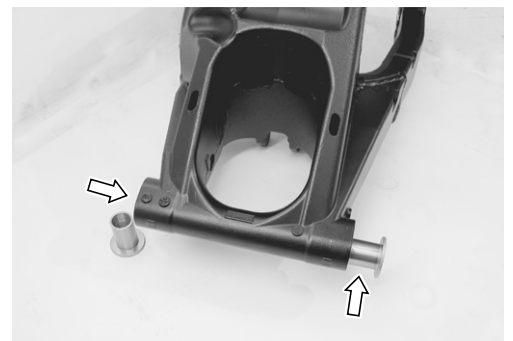
- Inspect the cushion rod for damage and distortion.
- If any defects are found, replace the cushion rod with a new one.

**CUSHION LEVER**

- Inspect the cushion lever for damage.
- If any defects are found, replace the cushion lever with a new one.

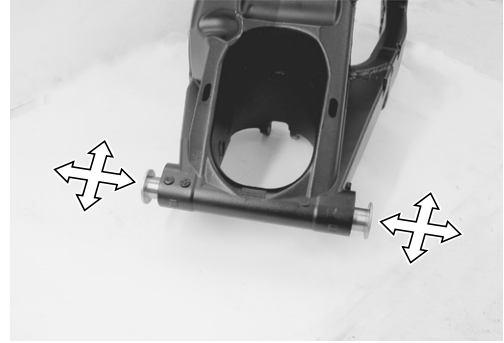
**SPACER**

- Remove the spacers from swingarm.
- Remove the spacers from the cushion lever.
- Remove the spacer from cushion rod.
- Inspect the spacers for any flaws or other damage. If any defects are found, replace the spacers with new ones.



### SWINGARM BEARING

- Insert the spacer into bearing and check the play when moving the spacer up and down.
- If excessive play is noted, replace the bearing with a new one.



### CUSHION ROD BEARING

- Insert the spacer into bearing and check the play when moving the spacer up and down.
- If excessive play is noted, replace the bearing with a new one.



### CUSHION LEVER BEARING

- Insert the spacer into bearing and check the play when moving the spacer up and down.
- If excessive play is noted, replace the bearing with a new one.



## DISASSEMBLY

### SWINGARM BEARING

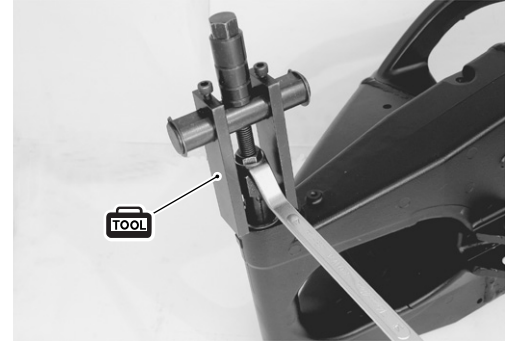
- Draw out the swingarm pivot bearings with the special tool.

 09921-20240: Bearing remover set (① 28 mm)

#### CAUTION

The removed bearings must be replaced with new ones.

- Remove the center spacer.



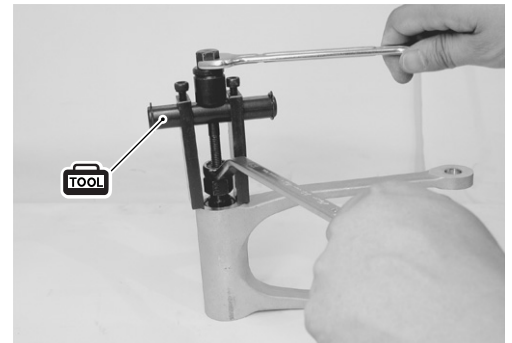
### CUSHION ROD BEARING

- Draw out the cushion rod bearings with the special tool.

 09921-20240: Bearing remover set

#### CAUTION

The removed bearings must be replaced with new ones.



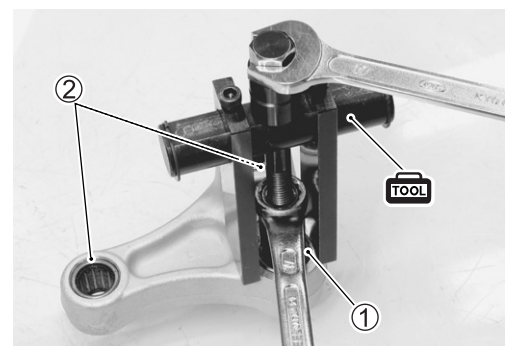
### CUSHION LEVER BEARING

- Draw out the cushion lever bearings with the special tool.

 09921-20240: Bearing remover set (① 20 mm)  
(② 17 mm)

#### CAUTION

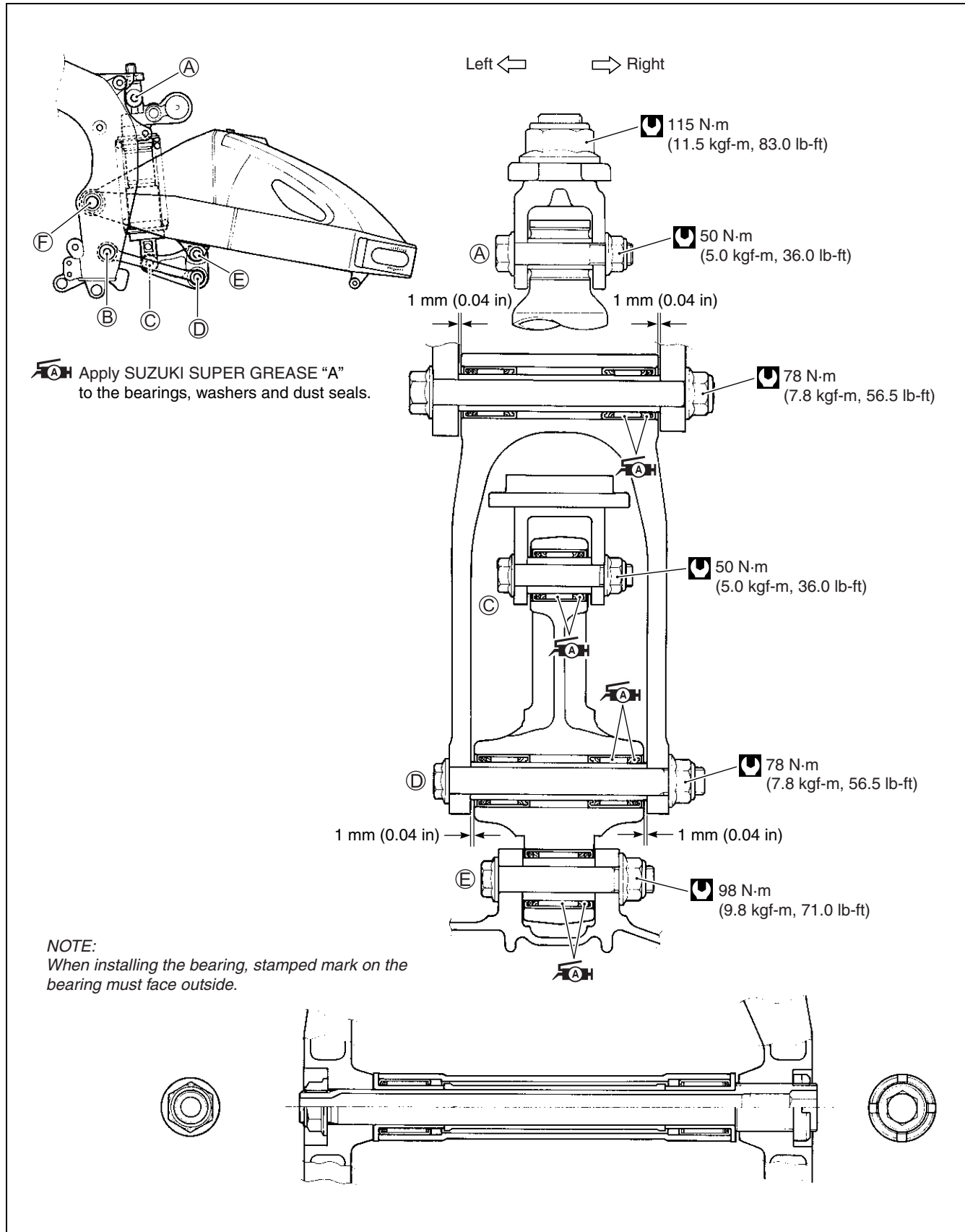
The removed bearings must be replaced with new ones.





## REASSEMBLY AND INSTALLATION

Reassemble and install the swingarm in the reverse order of disassembly and removal.  
Pay attention to the following points:



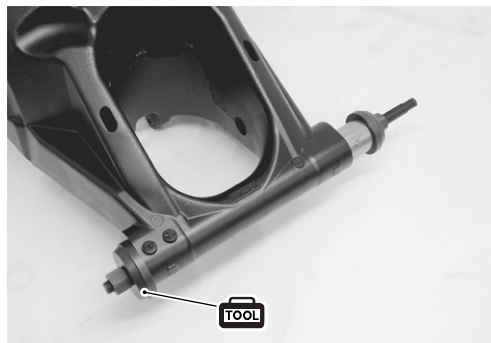
**SWINGARM BEARING**

- Install the center spacer.
- Press the bearings into the swingarm pivot with the special tool.

 **09941-34513: Steering race installer**

**NOTE:**

*When installing the bearing, stamped mark on the bearing must face outside.*

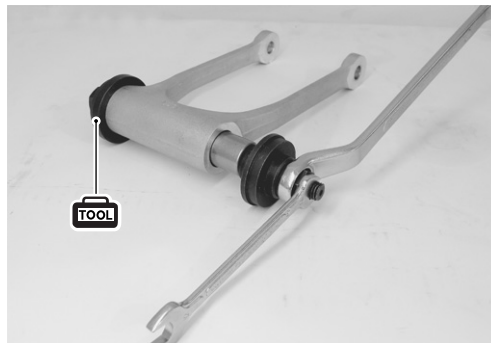
**CUSHION ROD BEARING**

- Press the bearings into the cushion rod with the special tool.

 **09924-84521: Bearing installer set**

**NOTE:**

*When installing the bearing, stamped mark on the bearing must face outside.*

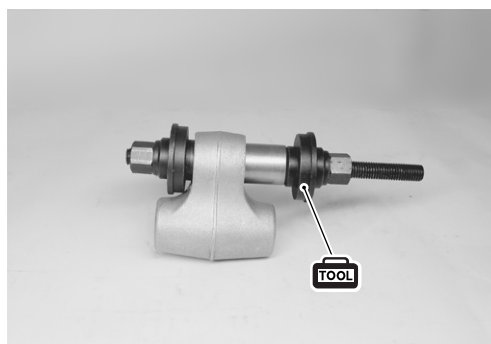
**CUSHION LEVER BEARING**

- Press the bearings into the cushion lever with the special tool.


 **09924-84521: Bearing installer set**

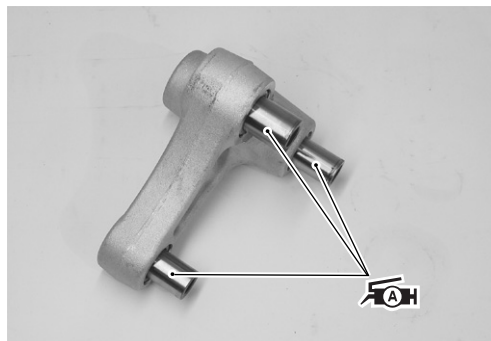
**NOTE:**

*When installing the bearing, stamped mark on the bearing must face outside.*



- Apply SUZUKI SUPER GREASE "A" to the bearings, spacers.

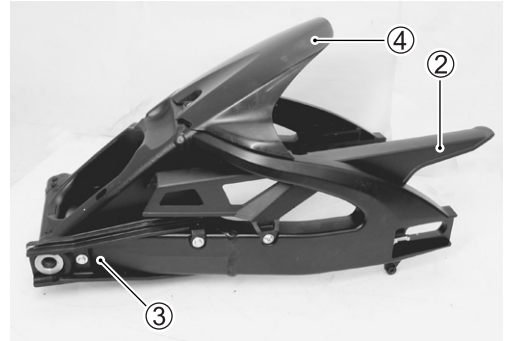
 **99000-25010: SUZUKI SUPER GREASE "A"**  
(or equivalent grease)



- Remount the plate ①.



- Remount the chain cases ② chain buffer ③ and rear fender (lower) ④.




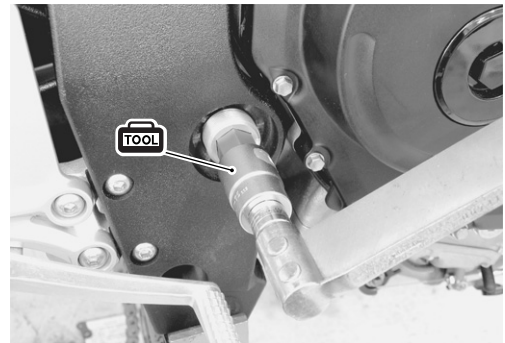
### SWINGARM PIVOT THRUST CLEARANCE ADJUSTMENT

Adjust swingarm pivot thrust clearance in the following procedure.

- Insert the swingarm pivot shaft and tighten to the specified torque.

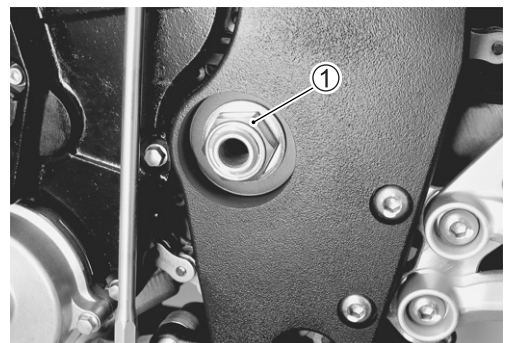
 09944-28320: Hexagon socket (19 mm)

 Swingarm pivot shaft: 15 N·m (1.5 kgf·m, 11.0 lb-ft)



- Hold the swingarm pivot shaft and tighten the swingarm pivot nut ① to the specified torque.

 Swingarm pivot nut: 100 N·m (10.0 kgf·m, 72.5 lb-ft)



- Tighten the swingarm pivot lock-nut to the specified torque with the special tool.

 09940-14940: Swingarm pivot thrust adjuster socket wrench

 Swingarm pivot lock-nut: 90 N·m (9.0 kgf·m, 65.0 lb-ft)



### SHOCK ABSORBER, CUSHION LEVER AND CUSHION ROD MOUNTING BOLT/NUT

- Install the cushion lever.
- Tighten the cushion lever mounting nut ① to the specified torque.

#### Cushion lever mounting nut:

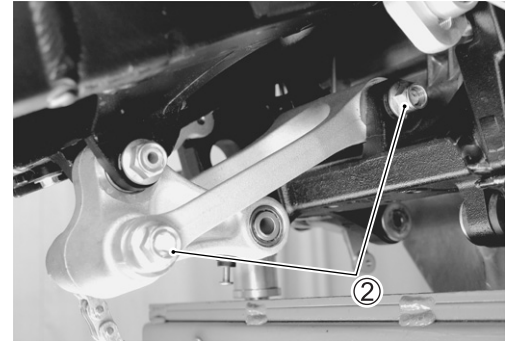
**98 N·m (9.8 kgf-m, 71.0 lb-ft)**

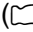
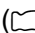


- Install the cushion rod.
- Tighten the cushion rod mounting nut ② to the specified torque.

#### Cushion rod mounting nut:


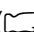
**78 N·m (7.8 kgf-m, 56.5 lb-ft)**



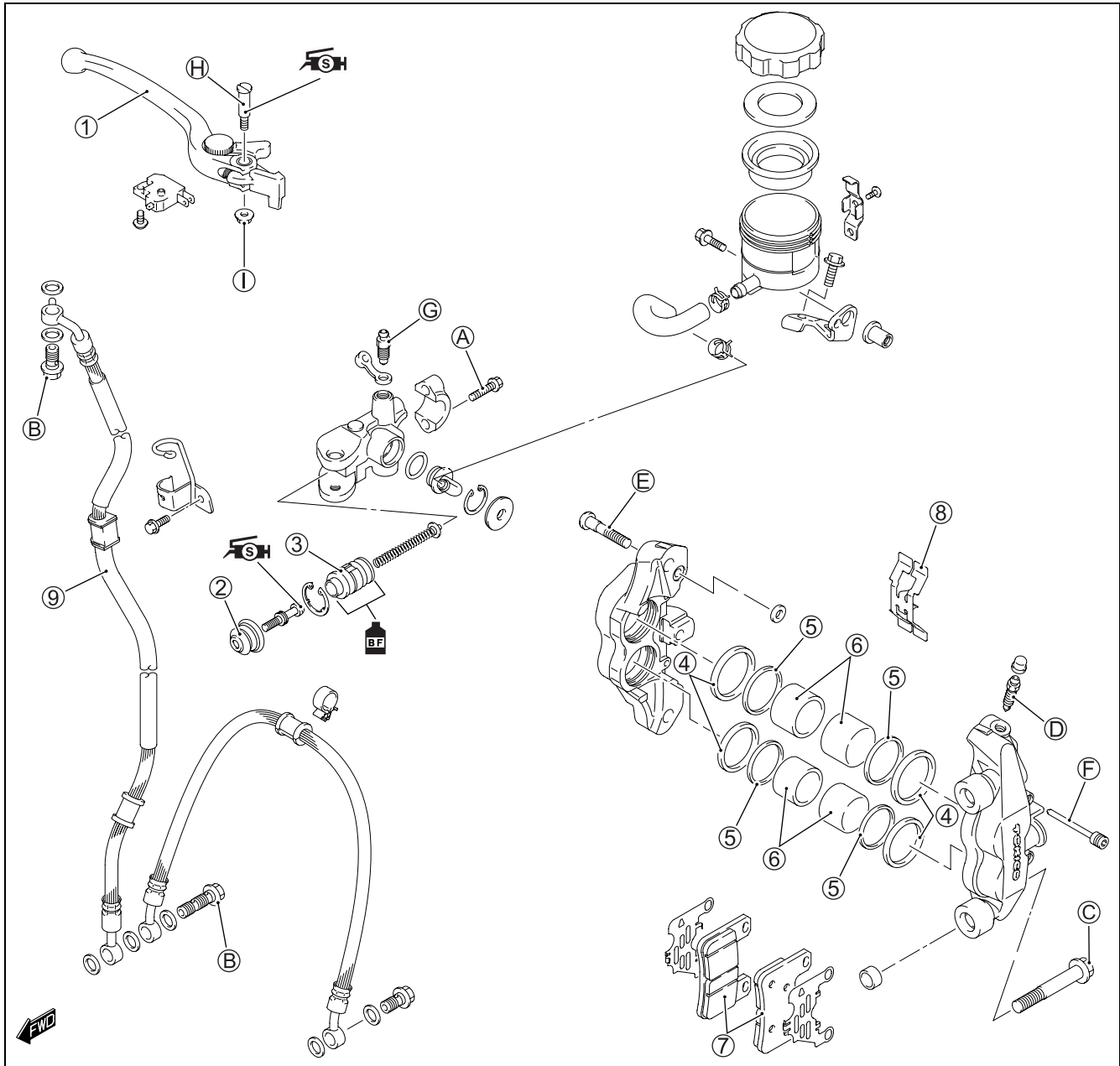
- Install the rear shock absorber. ( 8-52)
- Connect the drive chain. ( 8-90 to -92)

### FINAL INSPECTION AND ADJUSTMENT

After installing the rear suspension and wheel, the following adjustments are required before driving.

- \* Drive chain ( 2-20)
- \* Tire pressure ( 2-27)

# FRONT BRAKE CONSTRUCTION



①	Brake lever	A	Master cylinder mounting bolt
②	Dust boot	B	Brake hose union bolt
③	Piston set	C	Caliper mounting bolt
④	Piston seal	D	Caliper air bleeder valve
⑤	Dust seal	E	Caliper housing bolt
⑥	Brake caliper piston	F	Brake pad mounting pin
⑦	Brake pad	G	Master cylinder air bleeder valve
⑧	Brake pad spring	H	Brake lever pivot bolt
⑨	Brake hose	①	Brake lever lock-nut



ITEM	N-m	kgf-m	lb-ft
A	10	1.0	7.0
B	23	2.3	16.5
C	35	3.5	25.5
D	7.5	0.75	5.5
E	22	2.2	16.0
F	15	1.5	11.0
G	6.0	0.6	4.5
H	1.0	0.1	0.7
①	6.0	0.6	4.5

**⚠ WARNING**

- \* This brake system is filled with an ethylene glycol-based DOT 4 brake fluid. Do not use mix different types of fluid such as silicone-based or petroleum-based.
- \* Do not use any brake fluid taken from old, used or unsealed containers. Never reuse brake fluid left over from the last servicing or stored for long periods.
- \* When storing the brake fluid, seal the container completely and keep away from children.
- \* When replenishing brake fluid, take care not to get dust into fluid.
- \* When washing brake components, use fresh brake fluid. Never use cleaning solvent.
- \* A contaminated brake disc or brake pad reduces braking performance. Discard contaminated pads and clean the disc with high quality brake cleaner or neutral detergent.

**CAUTION**

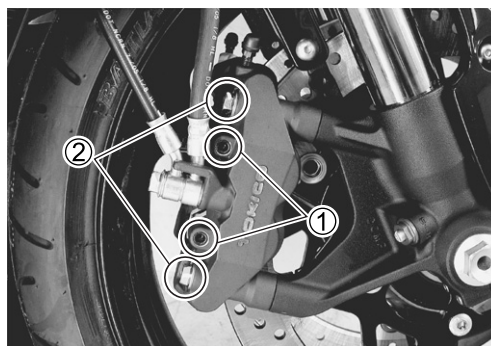
Handle brake fluid with care: The fluid reacts chemically with paint, plastics, rubber materials etc. and will damage them severely.

**BRAKE PAD REPLACEMENT**

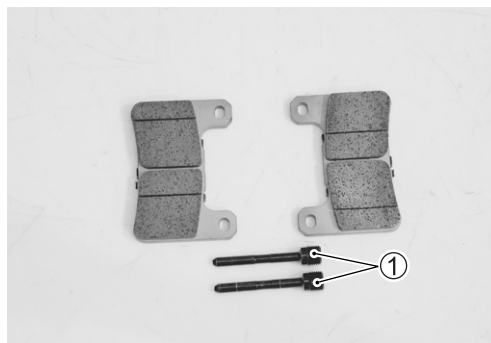
- Loosen the pad mounting pins ①.
- Remove the brake caliper by removing the caliper mounting bolts ②.
- Remove the pad mounting pins ①, brake pads and spring.

**CAUTION**

- \* Do not operate the brake lever with the pads removed.
- \* Replace the brake pads as a set, otherwise braking performance will be adversely affected.

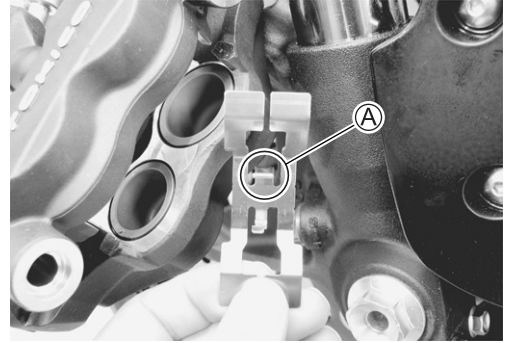
**NOTE:**

- \* When the brake caliper is removed, care must be used so as not to cause stress to the brake hose. (Hang the brake caliper on the frame with a string, etc.)
  - \* When removing the pad spring, push the piston all the way into the brake caliper.
- Inspect the pad mounting pins for bent or damage. If any defects are found, replace the pad mounting pins with the new ones.





- Install the spring to the caliper, bring its wider side of pawl **(A)** facing top.

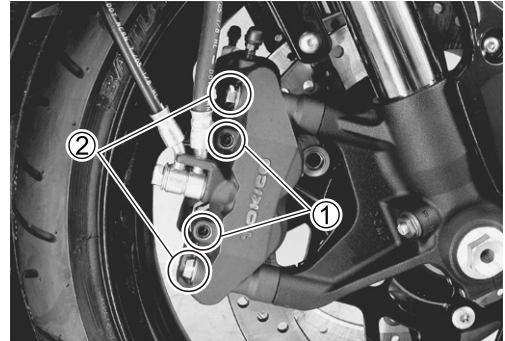


- Install the new brake pads.
- Install the brake caliper.
- Tighten each bolt to the specified torque.

**🔧 Pad mounting pin ①: 15 N·m (1.5 kgf-m, 11.0 lb-ft)**  
**Front brake caliper mounting bolt ②:**  
**39 N·m (3.9 kgf-m, 28.0 lb-ft)**

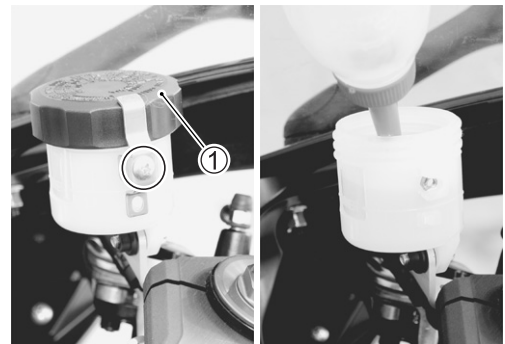
**NOTE:**

- \* After replacing the brake pads, pump the brake lever a few times to check for proper brake operation and then check the brake fluid level.



## BRAKE FLUID REPLACEMENT

- Place the motorcycle on a level surface and keep the handlebars straight.
- Remove the brake fluid reservoir cap **①** and diaphragm.
- Drain the old brake fluid as much as possible.
- Fill the reservoir with new brake fluid.

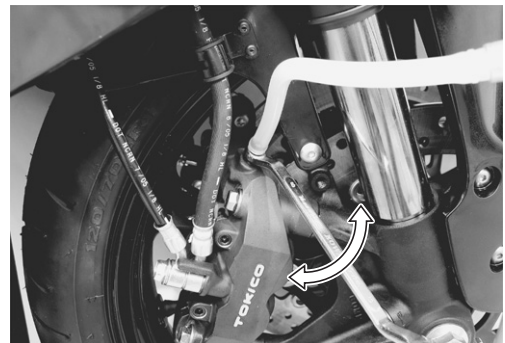


- Connect a clear hose to the caliper air bleeder valve and insert the other end of hose into a receptacle.
- Loosen the air bleeder valve and pump the brake lever until old brake fluid flows out of the bleeder system.
- Close the caliper air bleeder valve and disconnect a clear hose. Fill the reservoir with new fluid to the upper mark of the reservoir.

**🛢️ Specification and classification: DOT 4**

**CAUTION**

**Bleed air from the brake system. (🔧 2-23)**



## CALIPER REMOVAL

- Remove the brake hose from the caliper by removing the union bolt ① and catch the brake fluid in a suitable receptacle.

### NOTE:

Place a rag underneath the union bolt on the brake caliper to catch any split brake fluid.

- Remove the brake pads and spring. (☞ 8-65)

### CAUTION

Never reuse the brake fluid left over from previous servicing and stored for long periods of time.

### ⚠ WARNING

Brake fluid, if it leaks, will interfere with safe running and discolor painted surfaces. Check the brake hose and hose joints for cracks and fluid leakage.



## CALIPER DISASSEMBLY

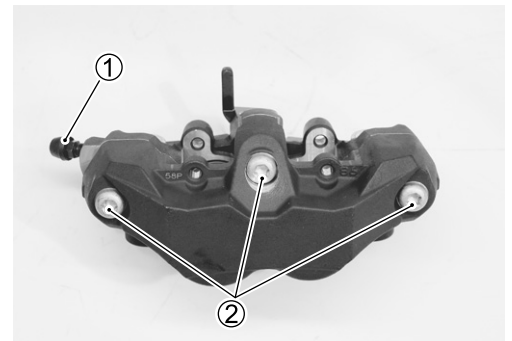
- Remove the caliper air bleeder valve ①.
- Separate the caliper halves by removing the caliper housing bolts ② with the special tools.

**TOOL** 09930-11920: Torx bit JT40H  
09930-11940: Bit holder

- Remove the O-ring ③.

### CAUTION

Replace the O-ring with a new one.



- Place a rag over the pistons to prevent it from popping out and then force out the pistons using compressed air.

### CAUTION

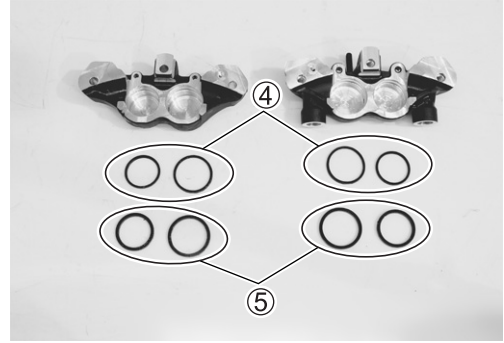
Avoid using high pressure air to prevent piston damage.



- Remove the dust seals ④ and piston seals ⑤.

**CAUTION**

**Avoid reusing the dust seals and piston seals to prevent fluid leakage.**

**CALIPER INSPECTION****BRAKE CALIPER**

- Inspect the brake caliper cylinder wall for nicks, scratches or other damage.

**BRAKE CALIPER PISTON**

- Inspect the brake caliper piston surface for any scratches or other damage.

**CALIPER REASSEMBLY**

Reassemble the caliper in the reverse order of disassembly. Pay attention to the following points:

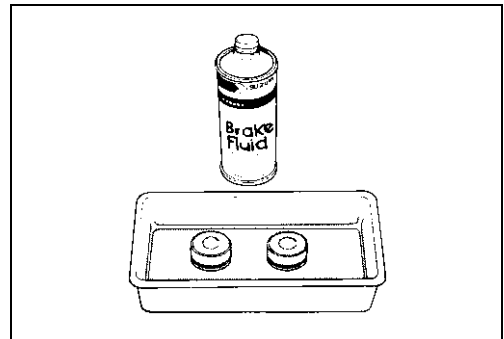
- Clean the caliper bores and pistons with specified brake fluid, especially the dust seal grooves and piston seal grooves.



**Specification and classification: DOT 4**

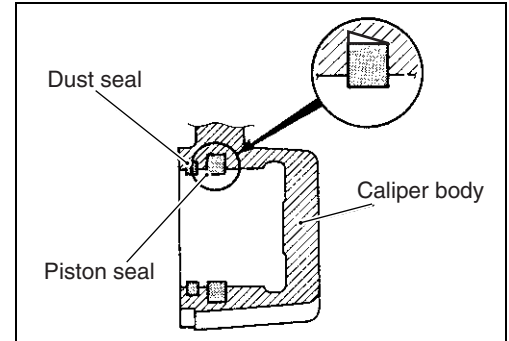
**CAUTION**

- \* Clean the caliper components with fresh brake fluid before reassembly. Never use cleaning solvent or gasoline to clean them.
- \* Do not wipe the brake fluid off after cleaning the components.
- \* When cleaning the components, use the specified brake fluid. Never use different types of fluid or cleaning solvent such as gasoline, kerosine or others.
- \* Replace the piston seals and dust seals with the new ones when reassembly. Apply the brake fluid to both seals when installing them.



**PISTON SEAL**

- Install the piston seals as shown in the illustration.

**O-RING**

- Install the new O-ring ① and reassemble caliper halves.

**CAUTION**

Replace the O-ring with a new one.

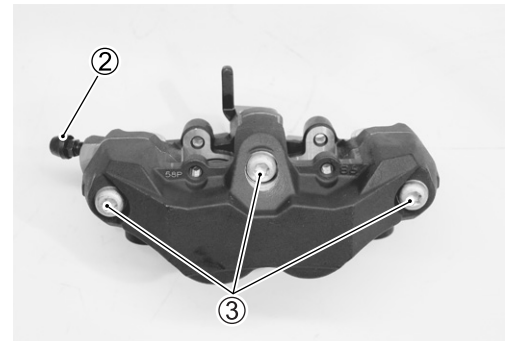


- Temporarily tighten the air bleeder valve ②.
- Tighten each bolt to the specified torque.

**Front brake caliper housing bolt ③:**

22 N·m (2.2 kgf·m, 16.0 lb·ft)

**TOOL** 09930-11920: Torx bit JT40H  
09930-11940: Bit holder

**CALIPER INSTALLATION**

Install the caliper in the reverse order of removal. Pay attention to the following points:

- Install the spring and brake pads. (☞ 8-66)
- Install the brake caliper. (☞ 8-66)
- Tighten each bolt to the specified torque.

**Front brake hose union bolt:**

23 N·m (2.3 kgf·m, 16.5 lb·ft)

**CAUTION**

- \* The seal washers should be replaced with the new ones to prevent fluid leakage.
- \* Bleed air from the system after reassembling the caliper. (☞ 2-23)

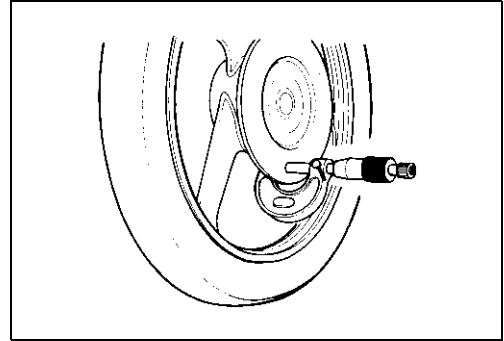


## BRAKE DISC INSPECTION

- Visually check the brake disc for damage or cracks.
- Measure the thickness with a micrometer.
- Replace the disc if the thickness is less than the service limit or if damage is found.

**DATA** Front disc thickness: Service Limit: 5.0 mm (0.20 in)

**TOOL** 09900-20205: Micrometer (0 – 25 mm)



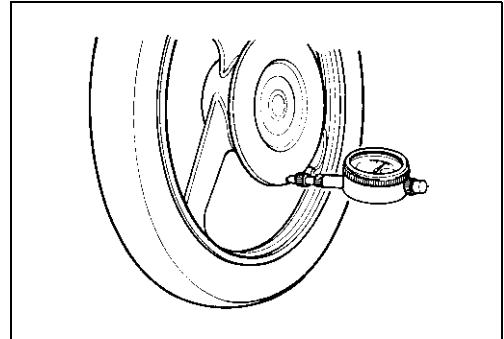
- Remove the brake calipers. (☞ 8-65)
- Measure the runout with a dial gauge.
- Replace the disc if the runout exceeds the service limit.

**DATA** Front disc runout: Service Limit: 0.30 mm (0.012 in)

**TOOL** 09900-20607: Dial gauge (1/100 mm)  
09900-20701: Magnetic stand

\* Brake disc removal (☞ 8-11)

\* Brake disc installation (☞ 8-14)



## MASTER CYLINDER REMOVAL AND DISASSEMBLY

- Drain the brake fluid. (☞ 8-66)
- Disconnect the front brake light switch lead wires ①.
- Place a rag underneath the union bolt ② on the master cylinder to catch any split brake fluid. Remove the union bolt and disconnect the brake hose.

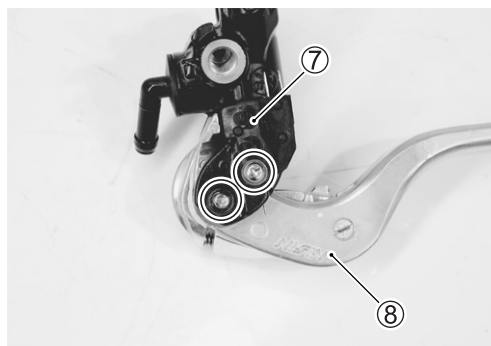
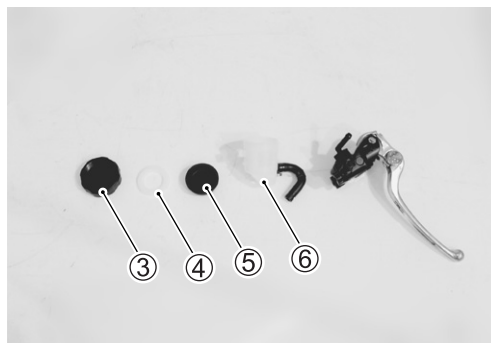
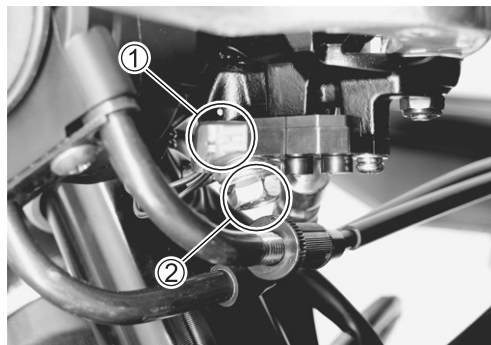
### CAUTION

**Immediately and completely wipe off any brake fluid contacting any part of the motorcycle. The fluid reacts chemically with paint, plastics and rubber materials, etc. and will damage them severely.**

- Remove the master cylinder by removing the master cylinder bolts.

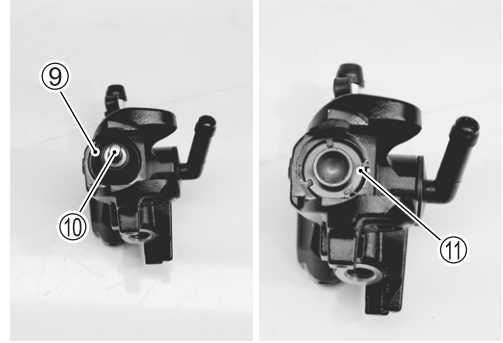
- Remove the reservoir cap ③, insulator ④, diaphragm ⑤ and reservoir tank ⑥.

- Remove the brake switch ⑦ and brake lever ⑧.



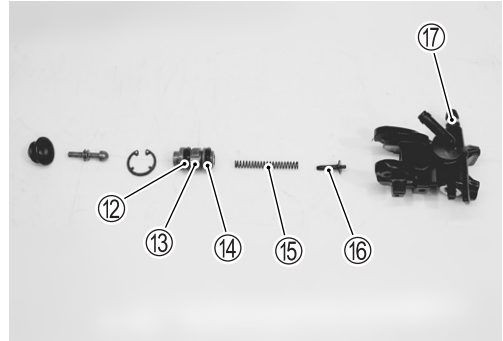


- Remove the dust boot ⑨ push rod ⑩ and snap ring ⑪.

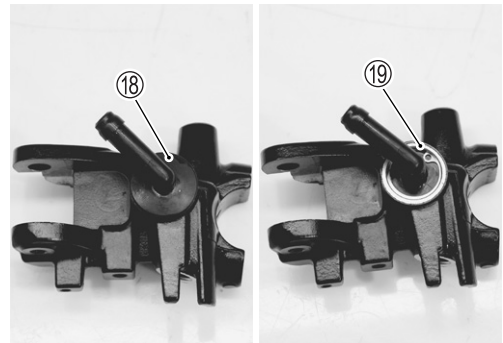


- Remove the following parts.

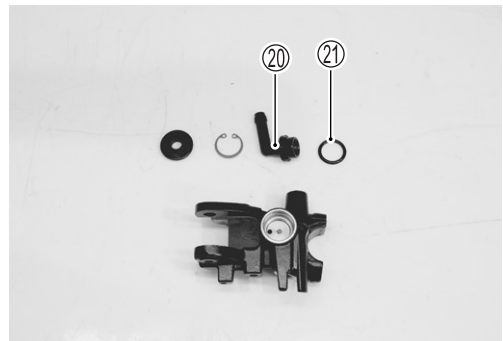
- ⑫ Secondary cup
- ⑬ Piston
- ⑭ Primary cup
- ⑮ Return spring
- ⑯ Return spring guide
- ⑰ Air bleeder valve



- Remove the dust rubber ⑱ and snap ring ⑲.

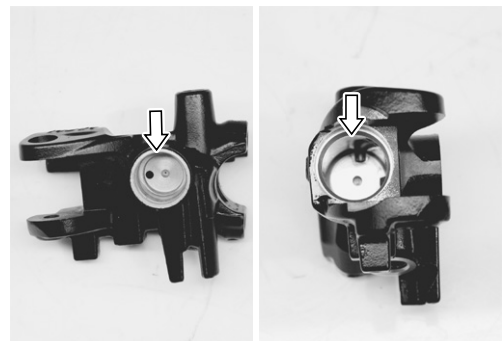


- Remove the connector ⑳ and O-ring ㉑.

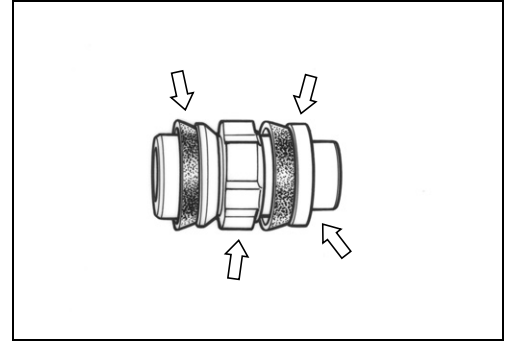


## MASTER CYLINDER INSPECTION

- Inspect the master cylinder bore for any scratches or other damage.



- Inspect the piston surface for any scratches or other damage.
- Inspect the primary cup, secondary cup and dust seal for wear or damage.

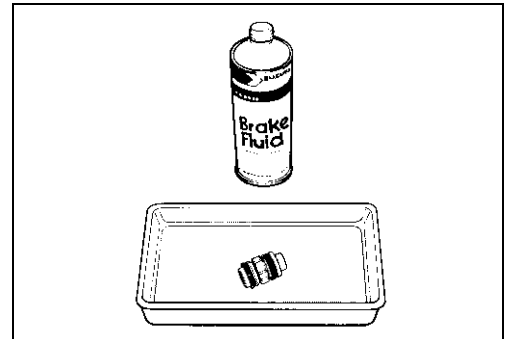


## MASTER CYLINDER REASSEMBLY

Reassemble the master cylinder in the reverse order of disassembly. Pay attention to the following points:

### CAUTION

- \* Clean the master cylinder components with fresh brake fluid before reassembly. Never use cleaning solvent or gasoline to clean them.
- \* Do not wipe the components with a rag.
- \* Apply brake fluid to the cylinder bore and all the component to be inserted into the bore.

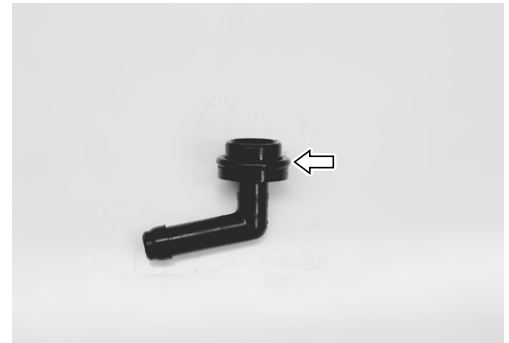


 Specification and classification: DOT 4

- Install the O-ring to the brake hose connector.

### CAUTION

Use a new O-ring to prevent the fluid leakage.




- Apply SUZUKI SILICONE GREASE to the push rod.

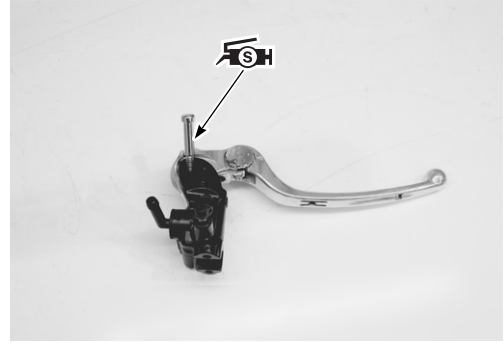
 99500-25100: SUZUKI SILICONE GREASE



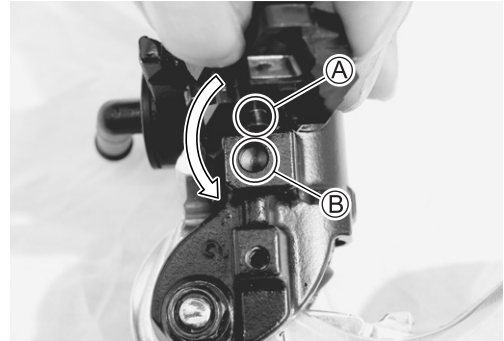
- Apply SUZUKI SILICONE GREASE to the brake lever pivot bolt.

 99000-25100: SUZUKI SILICONE GREASE

 Brake lever pivot bolt: 1 N·m (0.1 kgf·m, 0.7 lb-ft)  
Brake lever lock-nut: 6 N·m (0.6 kgf·m, 4.5 lb-ft)



- Align the convex part ① of brake light switch with the hole ② of master cylinder when installing the brake light switch.

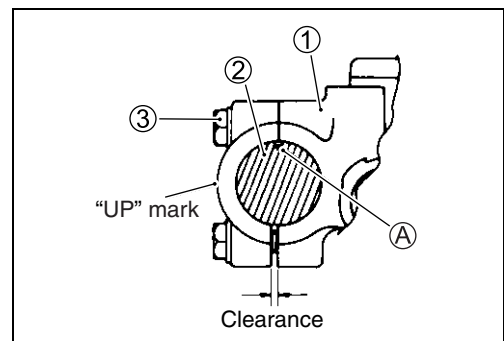
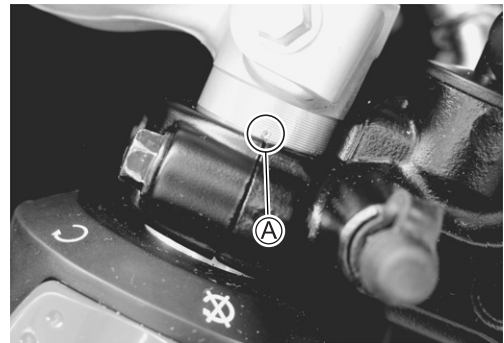


## MASTER CYLINDER INSTALLATION


Install the master cylinder in the reverse order of removal. Pay attention to the following points:

- When installing the brake master cylinder ① onto the handlebars ②, align the master cylinder holder's mating surface with punched mark ① on the handlebars and tighten the upper clamp bolt ③ first as shown.


 Front brake master cylinder mounting bolt:  
10 N·m (1.0 kgf·m, 7.0 lb-ft)



- Tighten the union bolt. (Brake hose routing:  10-24)

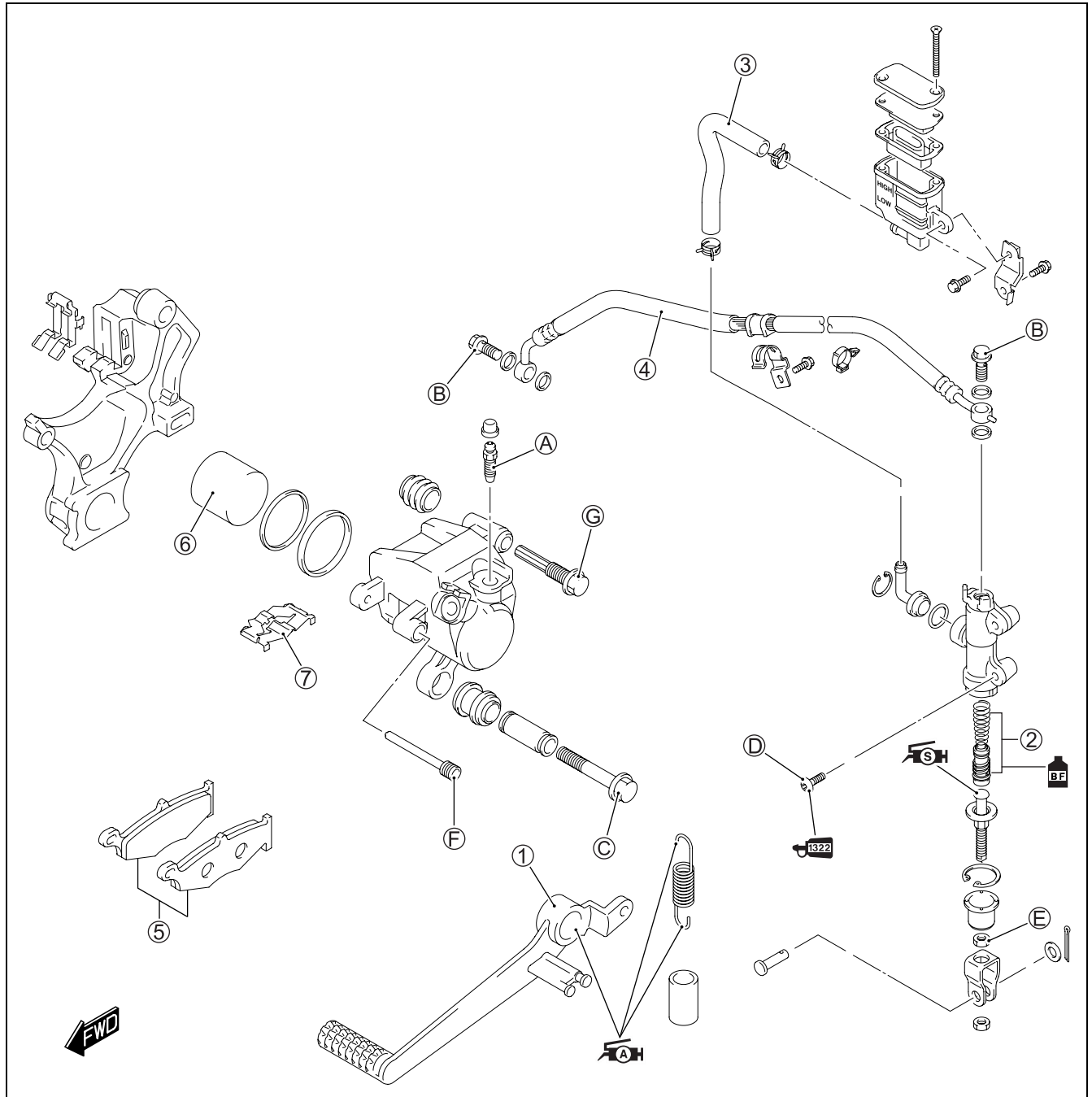
 Brake hose union bolt: 23 N·m (2.3 kgf·m, 16.5 lb-ft)

### CAUTION

- \* The seal washers should be replaced with the new ones to prevent fluid leakage.
- \* Bleed air from the system after reassembling the master cylinder. ( 2-23)



# REAR BRAKE CONSTRUCTION



①	Brake pedal	Ⓐ	Caliper air bleeder valve
②	Piston/Cup set	Ⓑ	Brake hose union bolt
③	Reservoir hose	Ⓒ	Brake caliper mounting bolt
④	Brake hose	Ⓓ	Brake master cylinder mounting bolt
⑤	Brake pad	Ⓔ	Brake master cylinder rod lock-nut
⑥	Piston	Ⓕ	Brake pad mounting pin
⑦	Brake pad spring	Ⓖ	Brake caliper pin bolt



ITEM	N-m	kgf-m	lb-ft
Ⓐ	7.5	0.75	5.5
Ⓑ	23	2.3	16.5
Ⓒ	17	1.7	12.5
Ⓓ	10	1.0	7.0
Ⓔ	18	1.8	13.0
Ⓕ	15	1.5	11.0
Ⓖ	32	3.2	23.0

**⚠ WARNING**

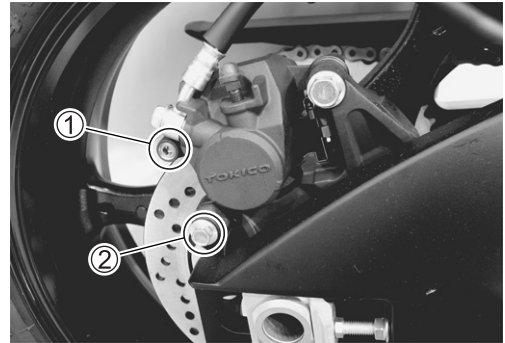
- \* This brake system is filled with an ethylene glycol-based DOT 4 brake fluid. Do not use mix different types of fluid such as silicone-based or petroleum-based.
- \* Do not use any brake fluid taken from old, used or unsealed containers. Never reuse brake fluid left over from the last servicing or stored for long periods.
- \* When storing the brake fluid, seal the container completely and keep away from children.
- \* When replenishing brake fluid, take care not to get dust into fluid.
- \* When washing brake components, use fresh brake fluid. Never use cleaning solvent.
- \* A contaminated brake disc or brake pad reduces braking performance. Discard contaminated pads and clean the disc with high quality brake cleaner or neutral detergent.

**CAUTION**

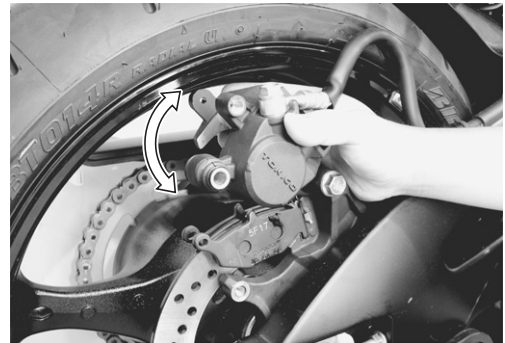
Handle brake fluid with care: The fluid reacts chemically with paint, plastics, rubber materials etc. and will damage them severely.

**BRAKE PAD REPLACEMENT**

- Remove the pad mounting pin ①.
- Remove the caliper mounting bolt ②.



- Remove the brake pads with the rear caliper pivoted up.
- Clean up the caliper especially around the caliper piston.

**CAUTION**

- \* Do not operate the brake pedal with the pads removed.
- \* Replace the brake pads as a set, otherwise braking performance will be adversely affected.

- Install the new brake pads.

- 🔩 **Pad mounting pin: 15 N·m (1.5 kgf·m, 11.0 lb-ft)**
- 🔩 **Brake caliper mounting bolt: 17 N·m (1.7 kgf·m, 12.5 lb-ft)**

**NOTE:**

After replacing the brake pads, pump the brake pedal a few times to set the brake parts correctly and then check the brake fluid level.



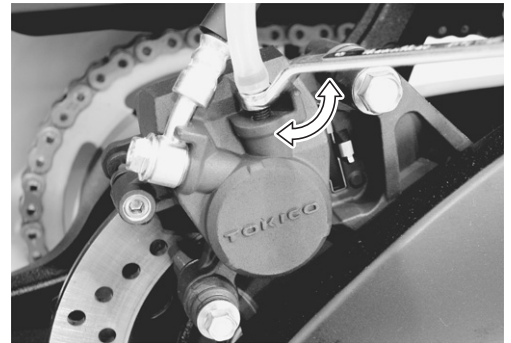
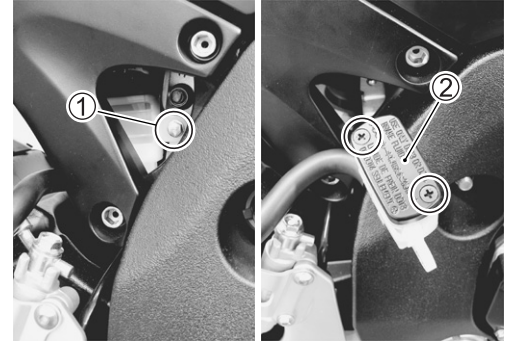
## BRAKE FLUID REPLACEMENT

- Remove the brake fluid reservoir mounting bolt ①.
- Place a rag underneath the brake fluid reservoir to catch any split brake fluid. Remove the brake fluid reservoir cap ②.
- Replace the brake fluid in the same manner as the front brake. (☞ 8-66)

 **Specification and classification: DOT 4**

### CAUTION

**Bleed air from the brake system. (☞ 2-23)**



## CALIPER REMOVAL AND DISASSEMBLY

- Drain the brake fluid.
- Remove the brake hose from the caliper by removing the union bolt ① and catch the brake fluid in a suitable receptacle.

### NOTE:

*Place a rag underneath the union bolt on the brake caliper to catch any split brake fluid.*

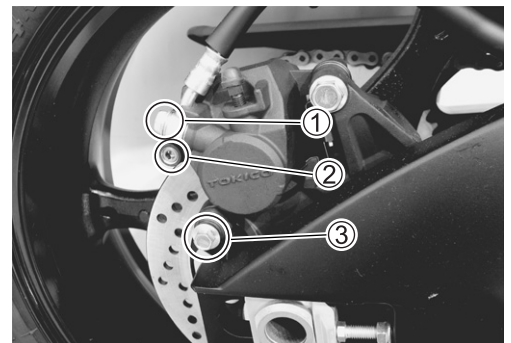
- Remove the pad mounting pin ②.
- Remove the caliper mounting bolt ③.
- Remove the brake caliper.

### CAUTION

**Never reuse the brake fluid left over from previous servicing and stored for long periods.**

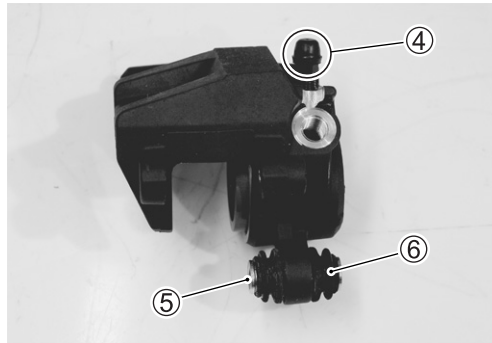
### ⚠ WARNING

**Brake fluid, if it leaks, will interfere with safe running and discolor painted surfaces. Check the brake hose and hose joints for cracks and fluid leakage.**





- Remove the brake pad spring.
- Remove the caliper air bleeder valve ④.
- Remove the spacer ⑤ and rubber boot ⑥ from the caliper.



- Place a rag over the piston to prevent it from popping out and then force out the pistons using compressed air.

**CAUTION**

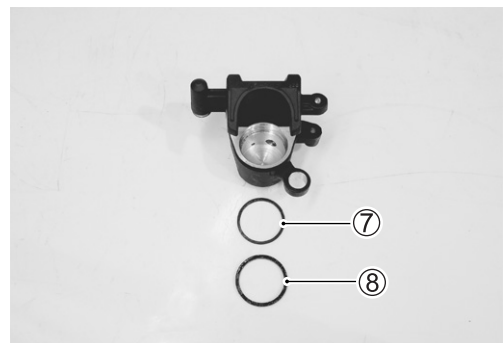
**Avoid using high pressure air to prevent piston damage.**



- Remove the dust seal ⑦ and piston seal ⑧.

**CAUTION**

**Avoid reusing the dust seals and piston seals to prevent fluid leakage.**



## CALIPER INSPECTION

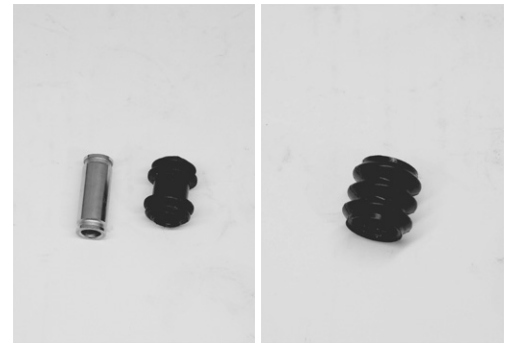
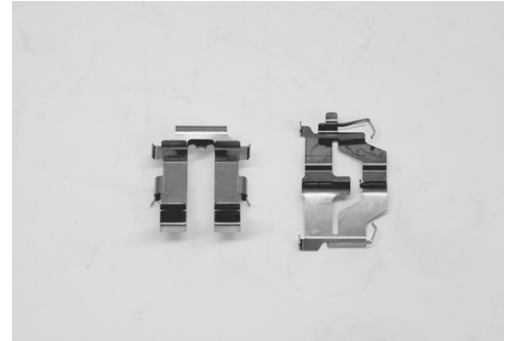
### BRAKE CALIPER AND BRAKE CALIPER PISTON

- Inspect the brake caliper cylinder wall for nicks, scratches and other damage. If any damage is found, replace the caliper with a new one.
- Inspect the brake caliper piston surface for any scratches and other damage. If any damage is found, replace the caliper with a new one.



### BRAKE PAD SPRING BOOTS AND SPACER

- Inspect the brake pad spring for damage and excessive bend. If any damage is found, replace the brake pad spring with a new one.
- Inspect the boots and spacer for damage and wear. If any damage is found, replace boot and spacer with new ones.



### BRAKE DISC INSPECTION

- Inspect the rear brake disc in the same manner as the front brake disc. (☞ 8-70)

#### **DATA** Service Limit

**Rear disc thickness: 4.5 mm (0.18 in)**

**Rear disc runout: 0.30 mm (0.012 in)**

## CALIPER REASSEMBLY

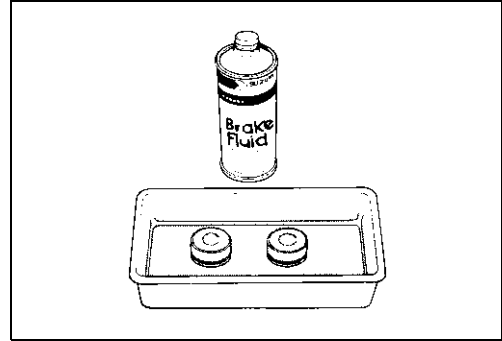
Reassemble the caliper in the reverse order of disassembly. Pay attention to the following points:

- Clean the caliper bores and pistons with specified brake fluid, especially the dust seal grooves and piston seal grooves.

 **Specification and classification: DOT 4**

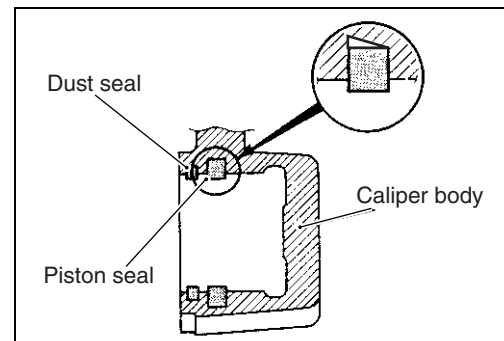
### CAUTION

- \* Clean the caliper components with fresh brake fluid before reassembly. Never use cleaning solvent or gasoline to clean them.
- \* Do not wipe the brake fluid off after cleaning the components.
- \* When cleaning the components, use the specified brake fluid. Never use different types of fluid or cleaning solvent such as gasoline, kerosine the others.
- \* Replace the piston seals and dust seals with new ones when reassembly. Apply the brake fluid to both seals when installing them.



## PISTON SEAL

- Install the piston seals as shown in the illustration.

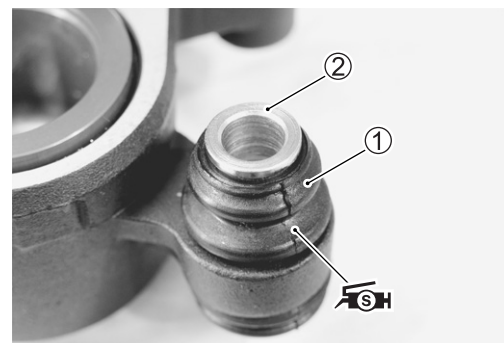


## SLIDING PIN

- Install the rubber boot ①.
- Apply SUZUKI SILICONE GREASE to the inside of the boot.

 **99000-25100: SUZUKI SILICONE GREASE**

- Install the spacer ②.



- Install the caliper air bleeder valve.
- Install the brake pad spring.

## CALIPER INSTALLATION

Install the caliper in the reverse order of removal. Pay attention to the following points:

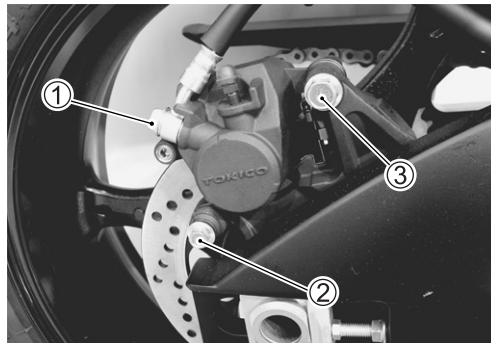
- Tighten each bolt to the specified torque.

**🔧 Brake hose union bolt ①: 23 N·m (2.3 kgf-m, 16.5 lb-ft)**

**Brake caliper mounting bolt ②:**

**17 N·m (1.7 kgf-m, 12.5 lb-ft)**

**Brake caliper pin bolt ③: 32 N·m (3.2 kgf-m, 23.0 lb-ft)**



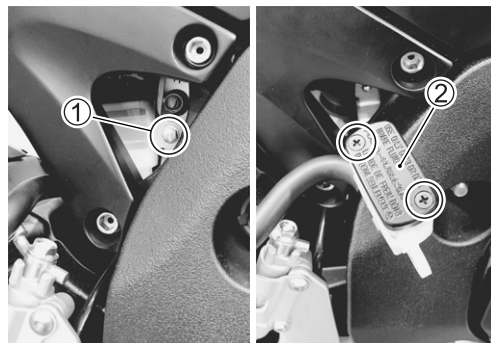
- Adjust the chain slack. (🔧 2-20)

### CAUTION

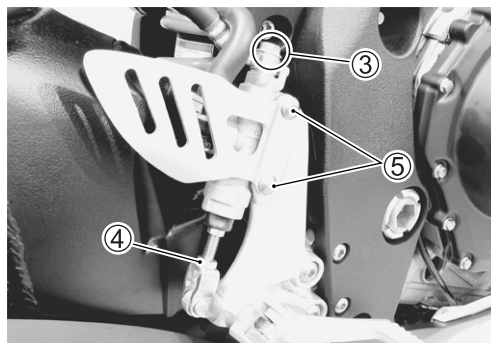
**Bleed air from the system after reassembling the caliper. (🔧 2-23)**

## MASTER CYLINDER REMOVAL AND DISASSEMBLY

- Remove the brake fluid reservoir mounting bolt ①.
- Place a rag underneath the brake fluid reservoir to catch any split brake fluid. Remove the brake fluid reservoir cap ②.
- Drain the brake fluid.



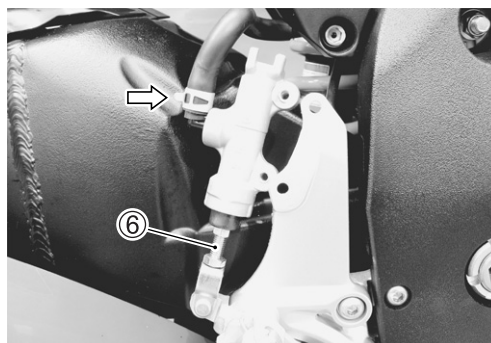
- Place a rag underneath the union bolt on the master cylinder to catch spilled drops of brake fluid. Remove the union bolt ③ and disconnect the brake hose.
- Loosen the lock-nut ④.
- Remove the mounting bolts ⑤.



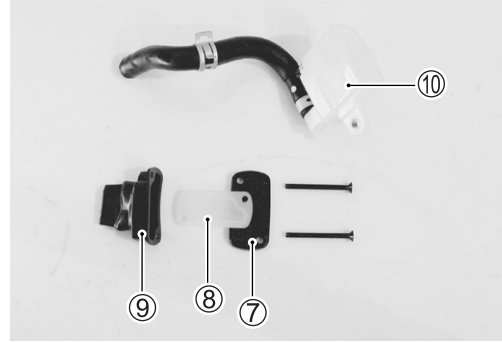
### CAUTION

**Immediately and completely wipe off any brake fluid contacting any parts of the motorcycle. The fluid reacts chemically with paint, plastic and rubber materials, etc. and will damage them severely.**

- Disconnect the reservoir hose.
- Remove the master cylinder by turning the master cylinder rod ⑥.

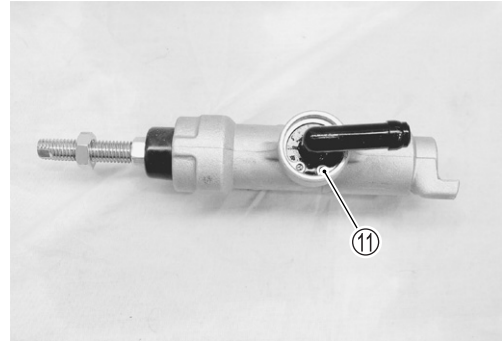


- Remove the reservoir cap ⑦, insulator ⑧, diaphragm ⑨ and reservoir tank ⑩.



- Remove the snap ring ⑪ with the special tool.

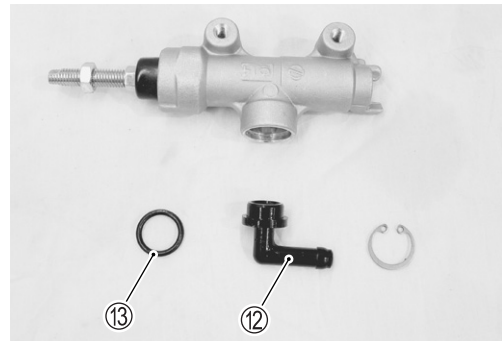
**TOOL** 09900-06108: Snap ring pliers



- Remove the connector ⑫.
- Remove the O-ring ⑬.

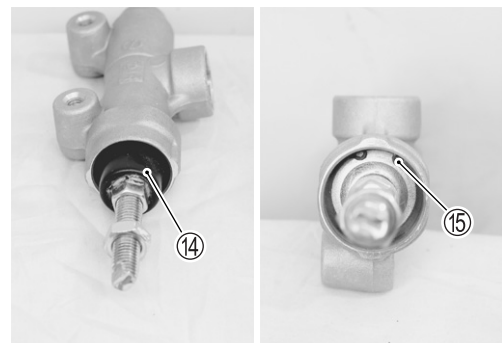
**CAUTION**

Replace the O-ring with a new one.



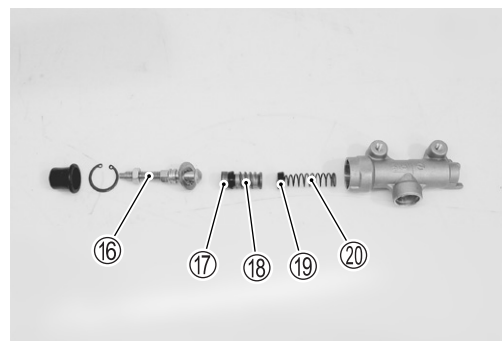
- Pull out the dust boot ⑭, then remove the snap ring ⑮.

**TOOL** 09900-06108: Snap ring pliers



- Remove the following parts.

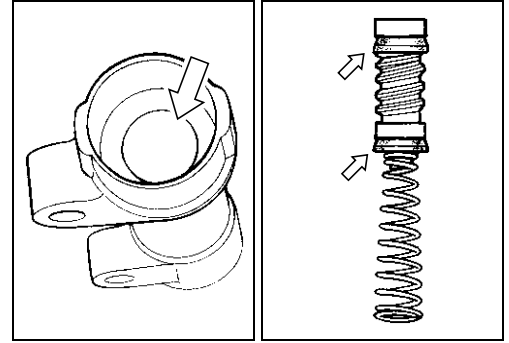
- ⑯ Push rod
- ⑰ Secondary cup
- ⑱ Piston
- ⑲ Primary cup
- ⑳ Return spring



## MASTER CYLINDER INSPECTION

### CYLINDER, PISTON AND CUP SET

- Inspect the cylinder bore wall for any scratches or other damage.
- Inspect the cup set and each rubber part for damage.

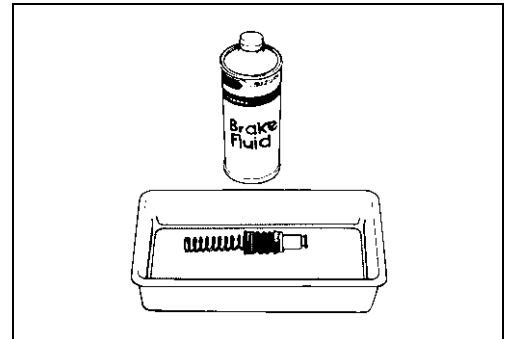


## MASTER CYLINDER REASSEMBLY

Reassemble the master cylinder in the reverse order of disassembly. Pay attention to the following points:

### CAUTION

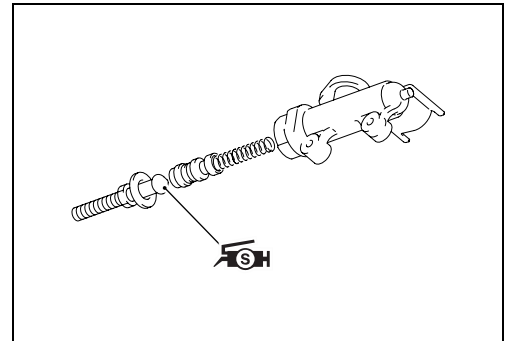
- \* Clean the master cylinder components with fresh brake fluid before reassembly. Never use cleaning solvent or gasoline to clean them.
- \* Do not wipe the components with a rag.
- \* Apply brake fluid to the cylinder bore and all the component to be inserted into the bore.



 **Specification and classification: DOT 4**

- Apply SUZUKI SILICONE GREASE to the push rod end.

 **99000-25100: SUZUKI SILICONE GREASE**







## MASTER CYLINDER INSTALLATION

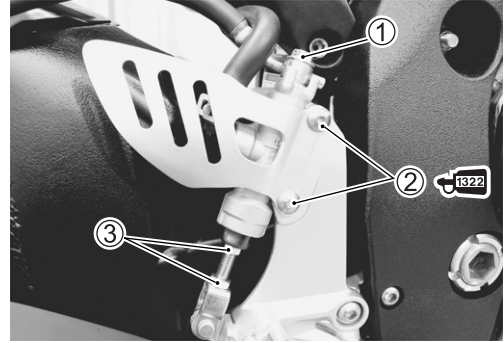
Install the master cylinder in the reverse order of removal. Pay attention to the following points:

- Apply THREAD LOCK to the master cylinder mounting bolts.


 **99000-32110: THREAD LOCK SUPER “1322”**  
(or equivalent thread lock)

- Tighten each bolt to the specified torque.  
(Brake hose routing:  10-25)

-  **Brake hose union bolt ①: 23 N·m (2.3 kgf-m, 16.5 lb-ft)**
- **Master cylinder mounting bolt ②:**  
10 N·m (1.0 kgf-m, 7.0 lb-ft)
- **Master cylinder rod lock-nut ③:**  
18 N·m (1.8 kgf-m, 13.0 lb-ft)



### CAUTION

- \* The seal washers should be replaced with the new ones to prevent fluid leakage.
- \* Bleed air from the system after reassembling the master cylinder. ( 2-23)

- Adjust the brake pedal height. ( 2-25)

## TIRE AND WHEEL

### TIRE REMOVAL

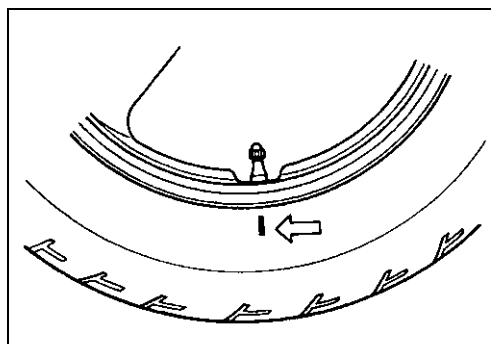
The most critical factor of tubeless tire is the seal between the wheel rim and the tire bead. For this reason, it is recommended to use a tire changer that can satisfy this sealing requirement and can make the operation efficient as well as functional.

For operating procedures, refer to the instructions supplied by the tire changer manufacturer.

#### NOTE:

*When removing the tire in the case of repair or inspection, mark the tire with a chalk to indicate the tire position relative to the valve position.*

*Even though the tire is refitted to the original position after repairing puncture, the tire may have to be balanced again since such a repair can cause imbalance.*

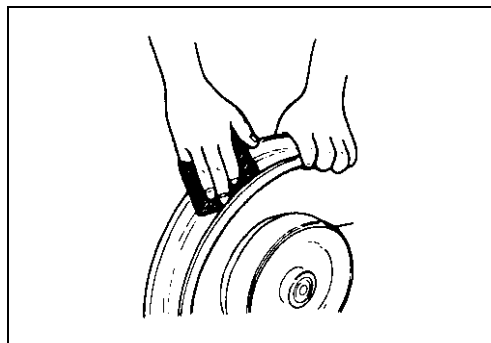


### INSPECTION

#### WHEEL

Wipe the wheel clean and check for the following:

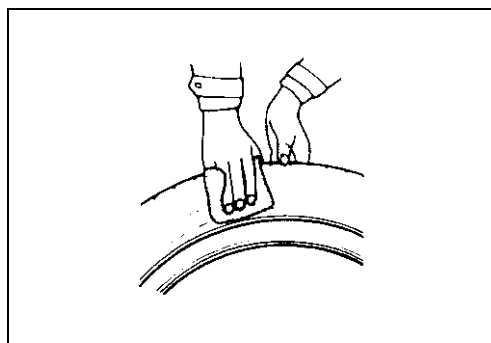
- Distortion and crack
- Any flaws and scratches at the bead seating area.
- Wheel rim runout (☞ 8-12)



#### TIRE

Tire must be checked for the following points:

- Nick and rupture on side wall
- Tire tread depth (☞ 2-27)
- Tread separation
- Abnormal, uneven wear on tread
- Surface damage on bead
- Localized tread wear due to skidding (Flat spot)
- Abnormal condition of inner liner



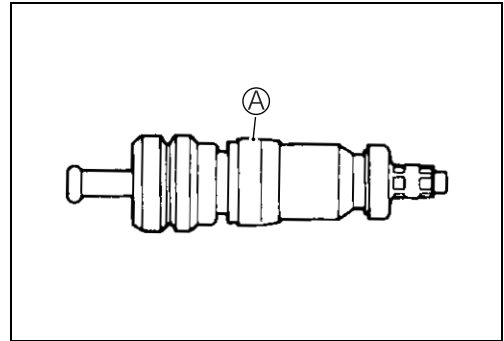
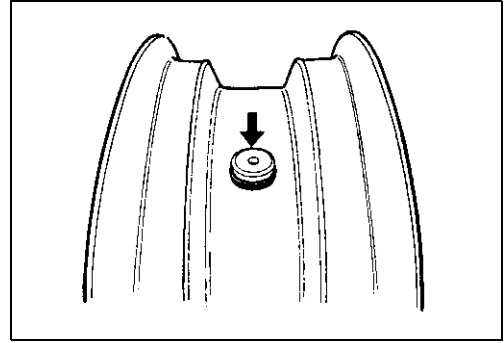
## VALVE INSPECTION

- Inspect the valve after the tire is removed from the rim.
- Replace the valve with a new one if the seal (A) rubber is peeling or has damage.

### NOTE:

*If the external appearance of the valve shows no abnormal condition, removing of the valve is not necessary.*

*If the seal has abnormal deformation, replace the valve with a new one.*



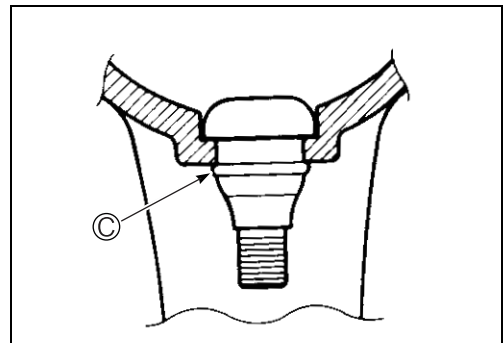
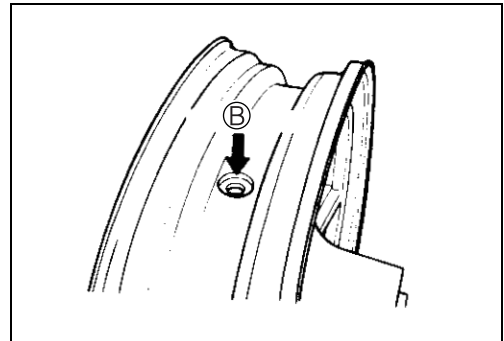
- Any dust or rust around the valve hole (B) must be cleaned off.
- Then install the valve (C) in the rim.

### NOTE:

*To properly install the valve into the valve hole, apply a special tire lubricant or neutral soapy liquid to the valve.*

### CAUTION

**Be careful not to damage the lip (C) of valve.**



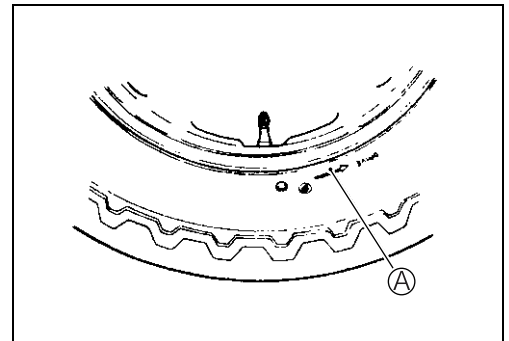
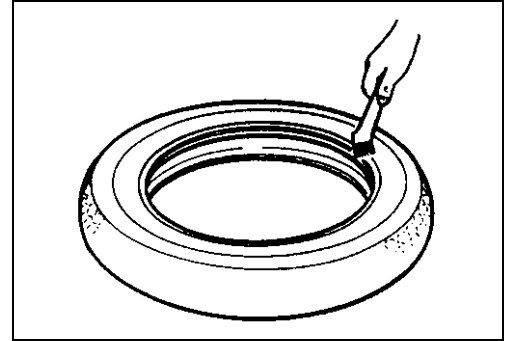
## TIRE INSTALLATION

- Apply tire lubricant to the tire bead.
- When installing the tire onto the wheel, observe the following points.

### CAUTION

- \* Do not reuse the valve which has been once removed.
- \* Never use oil, grease or gasoline on the tire bead in place of tire lubricant.

- When installing the tire, the arrow (A) on the side wall should point to the direction of wheel rotation.
- Align the chalk mark put on the tire at the time of removal with the valve position.

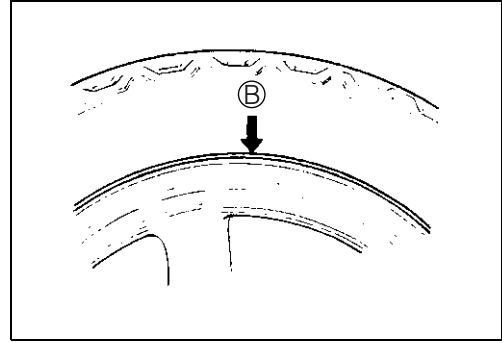


- For installation procedure of tire onto the wheel, follow the instructions given by the tire changer manufacturer.
- Bounce the tire several times while rotating. This makes the tire bead expand outward to contact the wheel, thereby facilitating air inflation.
- Inflate the tire.

### ⚠ WARNING

- \* Do not inflate the tire to more than 400 kPa (4.0 kgf/cm<sup>2</sup>, 57 psi). If inflated beyond this limit, the tire can burst and possibly cause injury. Do not stand directly over the tire while inflating.
- \* In the case of preset pressure air inflator, pay special care for the set pressure adjustment.

- In this condition, check the “rim line” ⑥ cast on the tire side walls. The line must be equidistant from the wheel rim all around. If the distance between the rim line and wheel rim varies, this indicates that the bead is not properly seated. If this is the case, deflate the tire completely and unseat the bead for both sides. Coat the bead with lubricant and fit the tire again.
- When the bead has been fitted properly, adjust the pressure to specification.
- As necessary, adjust the tire balance.

**CAUTION**

**Do not run with a repaired tire at a high speed.**

**DATA** Cold inflation tire pressure

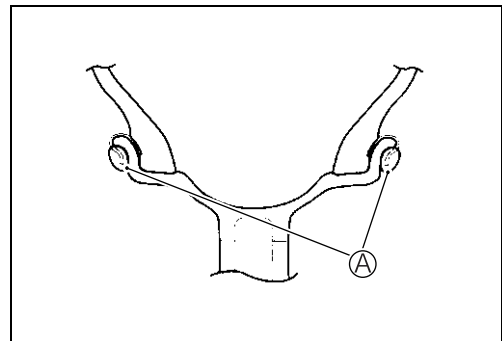
	Front	Rear
<b>Solo riding</b>	250 kPa (2.50 kgf/cm <sup>2</sup> , 36 psi)	250 kPa (2.50 kgf/cm <sup>2</sup> , 36 psi)
<b>Dual riding</b>	250 kPa (2.50 kgf/cm <sup>2</sup> , 36 psi)	290 kPa (2.90 kgf/cm <sup>2</sup> , 42 psi)

**BALANCER WEIGHT INSTALLATION**

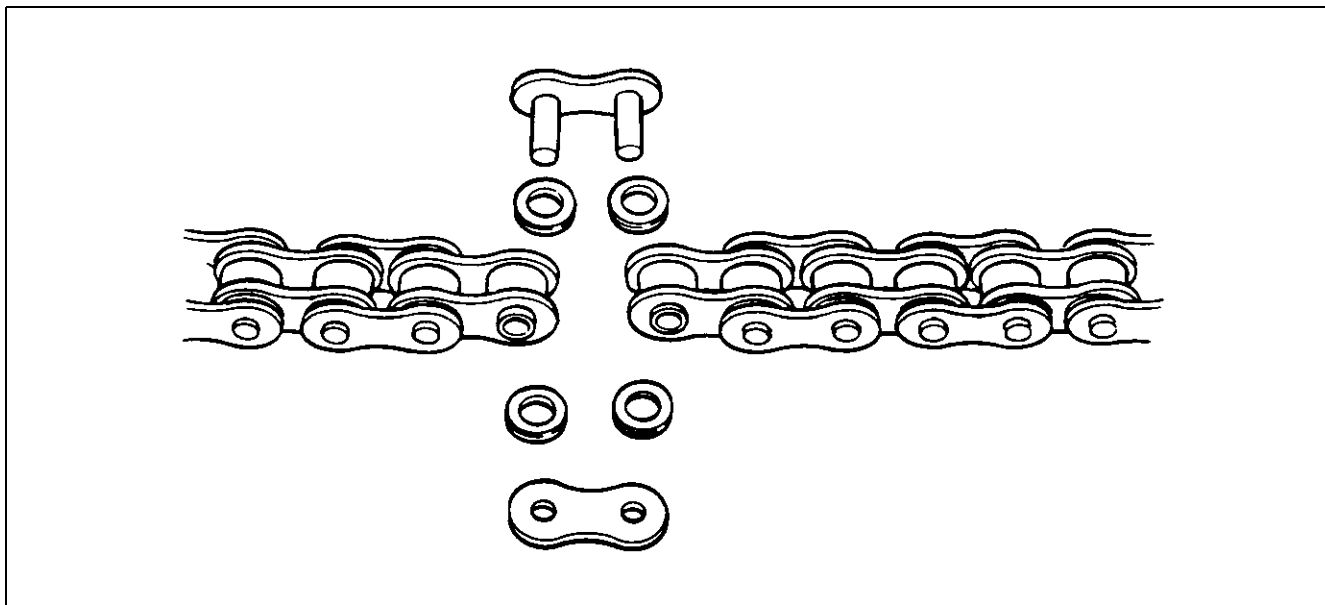
- When installing the balancer weights to the wheel, set the two balancer weights ① on both sides of wheel rim.

**CAUTION**

**Weight difference between the two balancer weights must be less than 10 g (0.02 lb).**



## DRIVE CHAIN

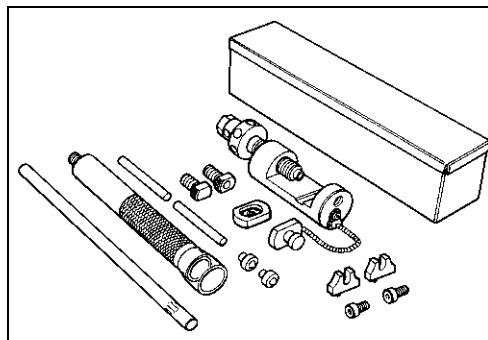


Use the special tool in the following procedures, to cut and rejoin the drive chain.

**TOOL 09922-22711: Drive chain cutting and joining tool set**

**NOTE:**

*When using the special tool, apply a small quantity of grease to the threaded parts of the special tool.*



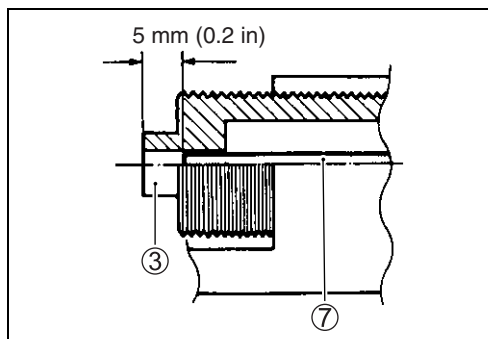
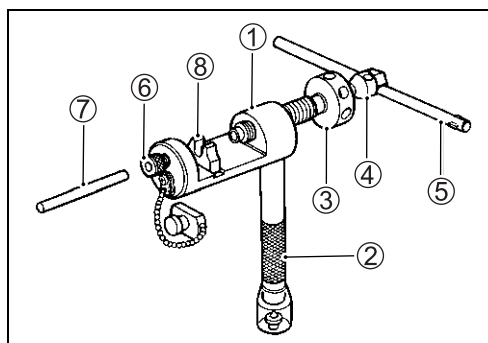
## DRIVE CHAIN CUTTING

- Set up the special tool as shown in the illustration.

- ① Tool body
- ② Grip handle
- ③ Pressure bolt "A"
- ④ Pressure bolt "B"
- ⑤ Bar
- ⑥ Adjuster bolt (with through hole)
- ⑦ Pin remover
- ⑧ Chain holder (engraved mark 500)  
with reamer bolt M5 × 10

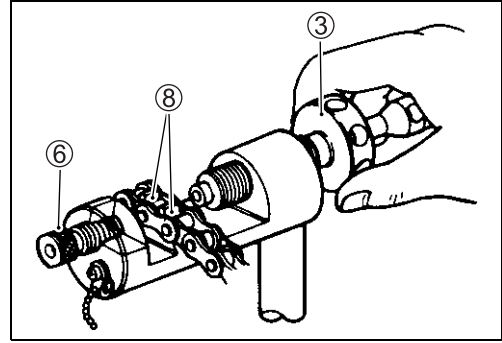
**NOTE:**

*The tip of pin remover ⑦ should be positioned inside approximately 5 mm (0.2 in) from the end face of pressure bolt "A" ③ as shown in the illustration.*





- Place the drive chain link being disjoined on the holder part ⑧ of the tool.
- Turn in both the adjuster bolt ⑥ and pressure bolt "A" ③ so that each of their end hole fits over the chain joint pin properly.
- Tighten the pressure bolt "A" ③ with the bar.



- Turn in the pressure bolt "B" ④ with the bar ⑤ and force out the drive chain joint pin ⑨.

**CAUTION**

Continue turning in the pressure bolt "B" ④ until the joint pin has been completely pushed out of the chain.

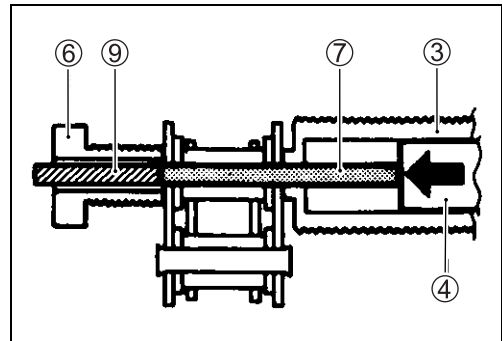
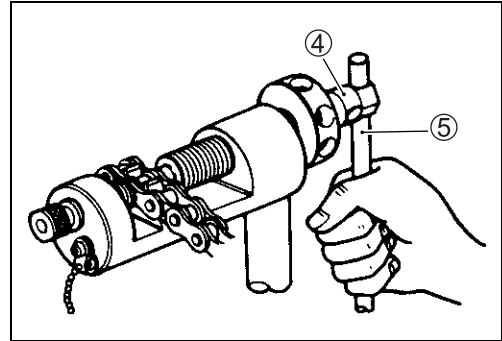
**NOTE:**

After the joint pin ⑨ is removed, loosen the pressure bolt "B" ④ and then pressure bolt "A" ③.

- Remove the joint pin ⑨ of the other side of joint plate.

**CAUTION**

Never reuse joint pins, O-rings and plates. After joint pins, O-rings and plates have been removed from the drive chain, the removed joint pins, O-rings and plates should be discarded and new joint plate, O-rings and plate must be installed.

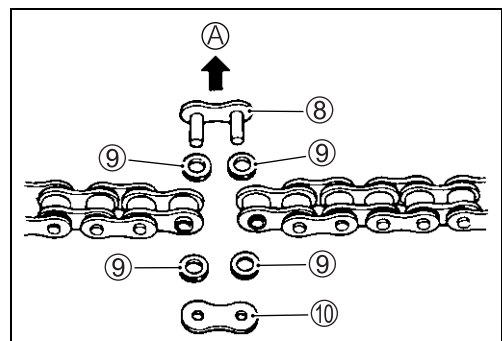
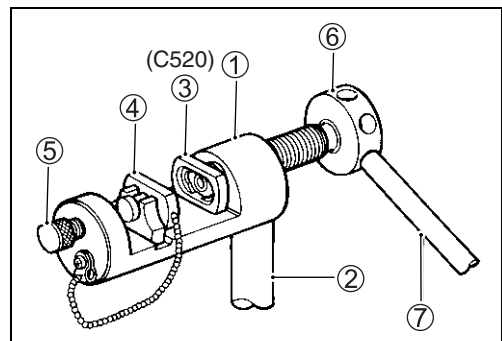


## DRIVE CHAIN CONNECTING

### JOINT PLATE INSTALLATION

- Set up the special tool as shown in the illustration.
 

① Tool body	⑤ Adjuster bolt
② Grip handle	(without hole)
③ Joint plate holder	⑥ Pressure bolt "A"
(engraved mark "C520")	⑦ Bar
④ Wedge holder & wedge pin	
  - Connect both ends of the drive chain with the joint pin ⑧ inserted from the wheel side (A) as installed on the motorcycle.
    - ⑨ O-ring ... 4 pcs.
    - ⑩ Joint plate
- Joint set part number  
RK: 27620-06G00

**WARNING**

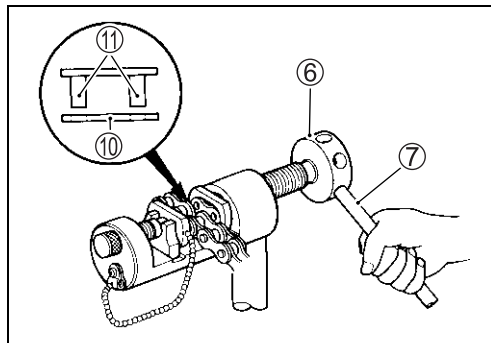
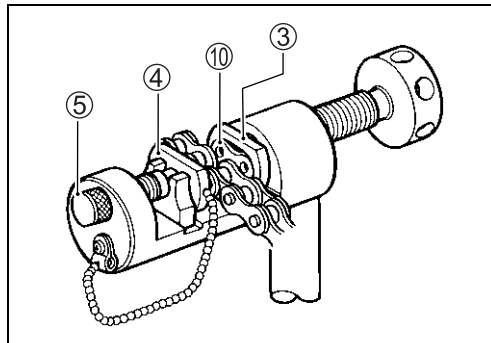
Do not use joint clip type of drive chain. The joint clip may have a chance to drop which may cause severe damage to motorcycle and severe injury.

- Apply grease on the recessed portion of the joint plate holder ③ and set the joint plate ⑩.

**NOTE:**

When positioning the joint plate ⑩ on the tool, its stamp mark must face the joint plate holder ③ side.

- Set the drive chain on the tool as illustrated and turn in the adjuster bolt ⑤ to secure the wedge holder & wedge pin ④.
- Turn in the pressure bolt "A" ⑥ and align two joint pins ⑪ properly with the respective holes of the joint plate ⑩
- Turn in the pressure bolt "A" ⑥ further using the bar ⑦ to press the joint plate over the joint pins.



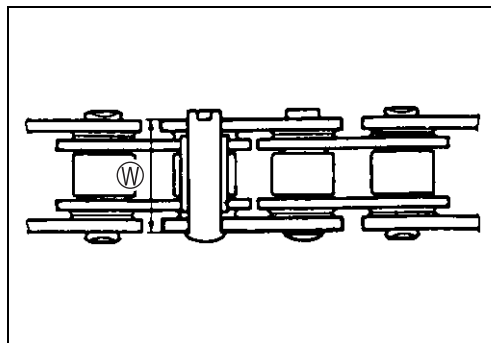
- Continue pressing the joint plate until the distance between the two joint plates come to the specification.

**DATA** Joint plate distance specification (W)

RK	18.6 – 18.9 mm (0.732 – 0.744 in)
----	-----------------------------------

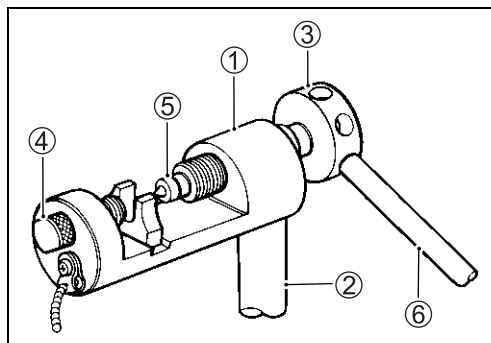
**CAUTION**

Should pressing of the joint plate be made excessively beyond the specified dimension, the work should be redone using the new joint parts.



**JOINT PIN STAKING**

- Set up the special tool as shown in the illustration.
  - ① Tool body
  - ② Grip handle
  - ③ Pressure bolt "A"
  - ④ Adjuster bolt (without hole)
  - ⑤ Staking pin (stowed inside grip handle behind rubber cap)
  - ⑥ Bar



**NOTE:**

Before staking the joint pin, apply a small quantity of grease to the staking pin ⑤.

- Stake the joint pin by turning (approximately 7/8 turn) the pressure bolt “A” ③ with the bar until the pin end diameter becomes the specified dimension.

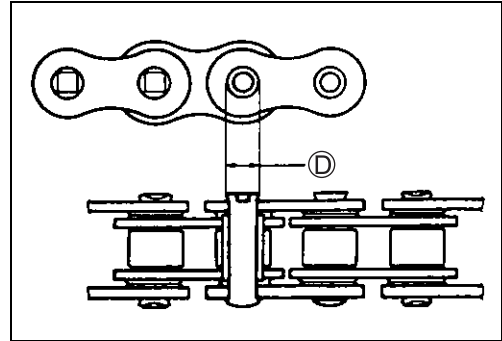
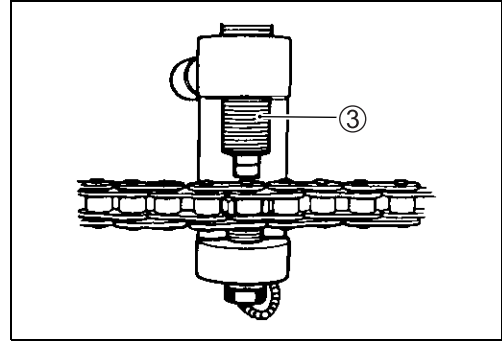
**DATA** Pin end diameter specification ④

RK	5.45 – 5.85 mm (0.215 – 0.230 in)
----	-----------------------------------

**CAUTION**

- \* After joining of the chain has been completed, check to make sure that the link is smooth and no abnormal condition is found.
- \* Should any abnormal condition be found, reassemble the chain link using the new joint parts.

- Adjust the drive chain, after connecting it. (☞ 2-20)



# ELECTRICAL SYSTEM

## CONTENTS

<b>CAUTIONS IN SERVICING .....</b>	<b>9- 3</b>
<b>CONNECTOR.....</b>	<b>9- 3</b>
<b>COUPLER.....</b>	<b>9- 3</b>
<b>CLAMP .....</b>	<b>9- 3</b>
<b>FUSE.....</b>	<b>9- 3</b>
<b>SEMI-CONDUCTOR EQUIPPED PART .....</b>	<b>9- 4</b>
<b>BATTERY .....</b>	<b>9- 4</b>
<b>CONNECTING THE BATTERY.....</b>	<b>9- 4</b>
<b>WIRING PROCEDURE.....</b>	<b>9- 4</b>
<b>USING THE MULTI-CIRCUIT TESTER.....</b>	<b>9- 5</b>
<b>LOCATION OF ELECTRICAL COMPONENTS .....</b>	<b>9- 6</b>
<b>CHARGING SYSTEM .....</b>	<b>9- 8</b>
<b>TROUBLESHOOTING.....</b>	<b>9- 8</b>
<b>INSPECTION .....</b>	<b>9- 9</b>
<b>STARTER SYSTEM AND SIDE-STAND/ IGNITION INTERLOCK SYSTEM .....</b>	<b>9-12</b>
<b>TROUBLESHOOTING.....</b>	<b>9-12</b>
<b>STARTER MOTOR REMOVAL.....</b>	<b>9-13</b>
<b>STARTER MOTOR DISASSEMBLY.....</b>	<b>9-14</b>
<b>STARTER MOTOR INSPECTION.....</b>	<b>9-14</b>
<b>STARTER MOTOR REASSEMBLY.....</b>	<b>9-15</b>
<b>STARTER RELAY INSPECTION.....</b>	<b>9-16</b>
<b>SIDE STAND/IGNITION INTERLOCK     SYSTEM PARTS INSPECTION .....</b>	<b>9-17</b>
<b>IGNITION SYSTEM .....</b>	<b>9-20</b>
<b>IMMOBILIZER (Except for E-03, 28, 33).....</b>	<b>9-21</b>
<b>TROUBLESHOOTING.....</b>	<b>9-23</b>
<b>INSPECTION .....</b>	<b>9-25</b>
<b>COMBINATION METER .....</b>	<b>9-29</b>
<b>DESCRIPTION.....</b>	<b>9-29</b>
<b>REMOVAL AND DISASSEMBLY .....</b>	<b>9-30</b>
<b>INSPECTION .....</b>	<b>9-31</b>
<b>LAMPS .....</b>	<b>9-35</b>
<b>HEADLIGHT, BRAKE LIGHT/TAILLIGHT,     LICENSE PLATE LIGHT AND TURN SIGNAL LIGHT.....</b>	<b>9-35</b>

# ELECTRICAL SYSTEM

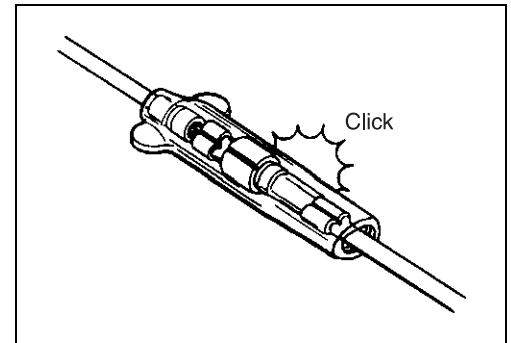
## CONTENTS

<b>RELAYS .....</b>	<b>9-37</b>
<b>TURN SIGNAL/SIDE-STAND RELAY .....</b>	<b>9-37</b>
<b>STARTER RELAY .....</b>	<b>9-37</b>
<b>FUEL PUMP RELAY .....</b>	<b>9-37</b>
<b>COOLING FAN RELAY .....</b>	<b>9-37</b>
<b>IGNITION SWITCH REMOVAL .....</b>	<b>9-38</b>
<b>IGNITION SWITCH INSTALLATION .....</b>	<b>9-38</b>
<b>SWITCHES INSPECTION .....</b>	<b>9-39</b>
<b>BATTERY .....</b>	<b>9-40</b>
<b>SPECIFICATIONS .....</b>	<b>9-40</b>
<b>INITIAL CHARGING .....</b>	<b>9-40</b>
<b>SERVICING .....</b>	<b>9-42</b>
<b>RECHARGING OPERATION .....</b>	<b>9-42</b>

## CAUTIONS IN SERVICING

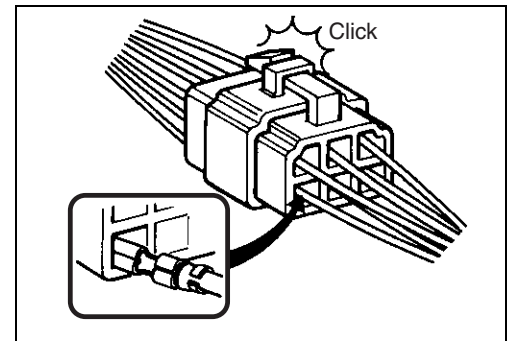
### CONNECTOR

- When connecting a connector, be sure to push it in until a click is felt.
- Inspect the connector for corrosion, contamination and breakage in its cover.



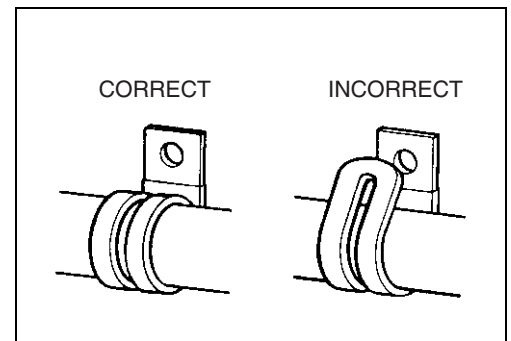
### COUPLER

- With a lock type coupler, be sure to release the lock when disconnecting, and push in fully to engage the lock when connecting.
- When disconnecting the coupler, be sure to hold the coupler itself and do not pull the lead wires.
- Inspect each terminal on the coupler for being loose or bent.
- Inspect each terminal for corrosion and contamination.



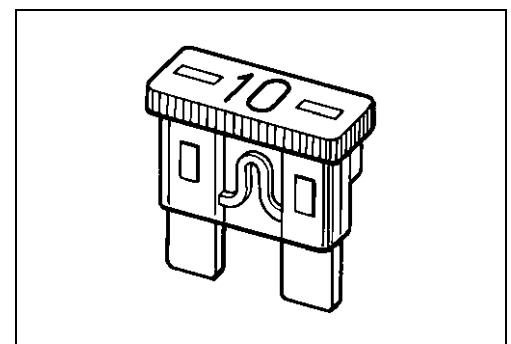
### CLAMP

- Clamp the wire harness at such positions as indicated in "WIRING HARNESS ROUTING". (☞ 10-17 to -20)
- Bend the clamp properly so that the wire harness is clamped securely.
- In clamping the wire harness, use care not to allow it to hang down.
- Do not use wire or any other substitute for the band type clamp.



### FUSE

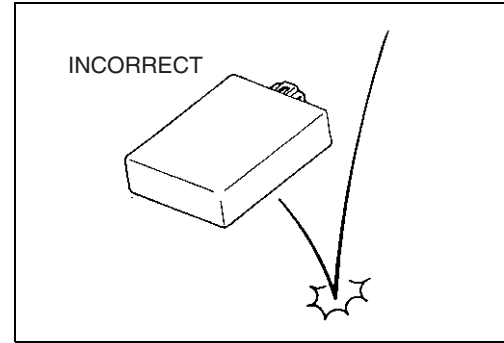
- When a fuse blows, always investigate the cause to correct it and then replace the fuse.
- Do not use a fuse of a different capacity.
- Do not use wire or any other substitute for the fuse.





## SEMI-CONDUCTOR EQUIPPED PART

- Be careful not to drop the part with a semi-conductor built in such as a ECM.
- When inspecting this part, follow inspection instruction strictly. Neglecting proper procedure may cause damage to this part.

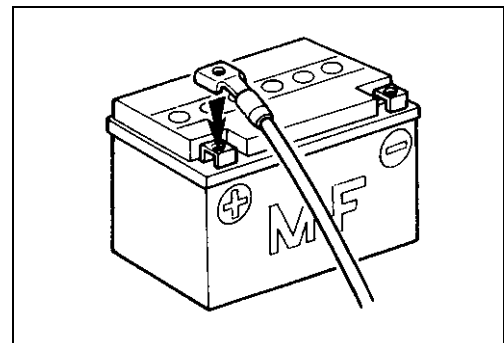
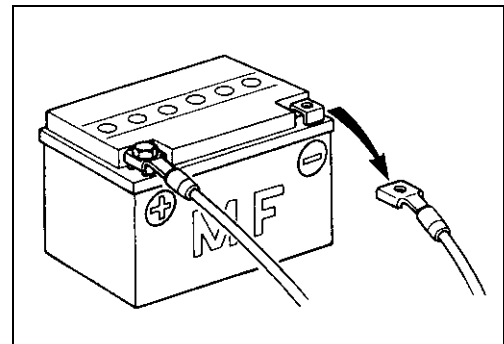


## BATTERY

- The MF battery used in this motorcycle does not require maintenance (e.g., electrolyte level inspection, distilled water replenishment).
- During normal charging, no hydrogen gas is produced. However, if the battery is overcharged, hydrogen gas may be produced. Therefore, be sure there are no fire or spark sources (e.g., short circuit) nearby when charging the battery.
- Be sure to recharge the battery in a well-ventilated and open area.
- Note that the charging system for the MF battery is different from that of a conventional battery. Do not replace the MF battery with a conventional battery.

## CONNECTING THE BATTERY

- When disconnecting terminals from the battery for disassembly or servicing, be sure to disconnect the  $\ominus$  battery lead wire, first.
- When connecting the battery lead wires, be sure to connect the  $\oplus$  battery lead wire, first.
- If the terminal is corroded, remove the battery, pour warm water over it and clean it with a wire brush.
- After connecting the battery, apply a light coat of grease to the battery terminals.
- Install the cover over the  $\oplus$  battery terminal.



## WIRING PROCEDURE

- Properly route the wire harness according to the "WIRING HARENESS ROUTING" section. (☞ 10-17 to -20)

## USING THE MULTI-CIRCUIT TESTER

- Properly use the multi-circuit tester  $\oplus$  and  $\ominus$  probes. Improper use can cause damage to the motorcycle and tester.
- If the voltage and current values are not known, begin measuring in the highest range.
- When measuring the resistance, make sure that no voltage is applied. If voltage is applied, the tester will be damaged.
- After using the tester, be sure to turn the switch to the OFF position.

 **09900-25008: Multi-circuit tester set**

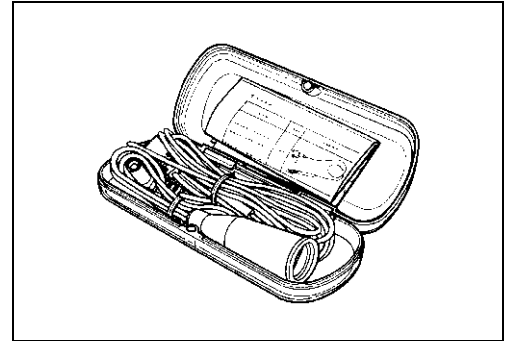
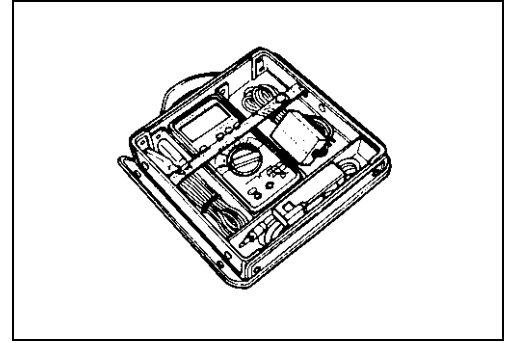
### CAUTION

**Before using the multi-circuit tester, read its instruction manual.**

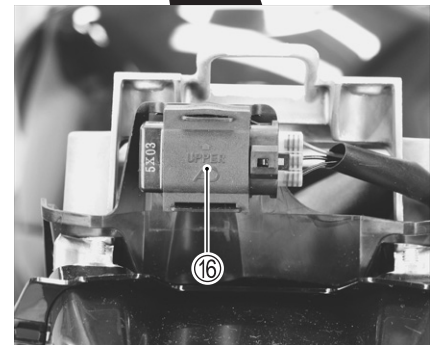
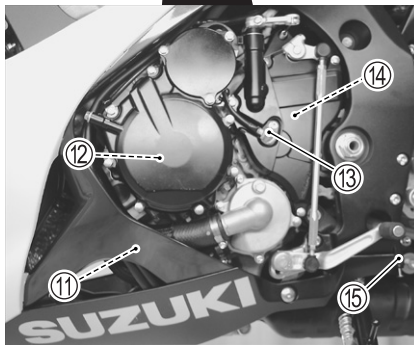
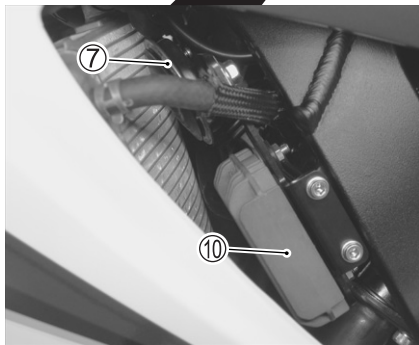
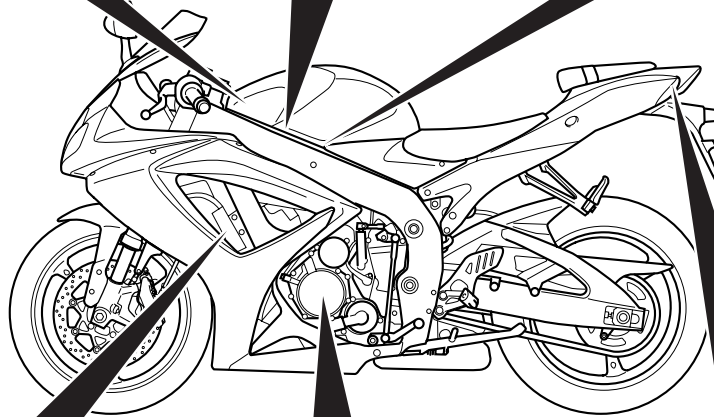
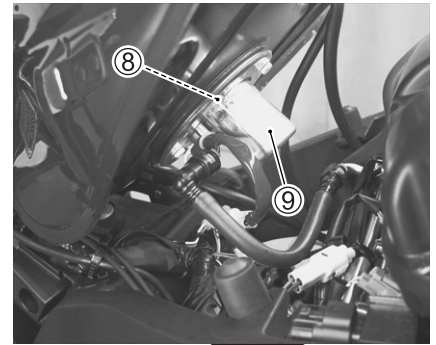
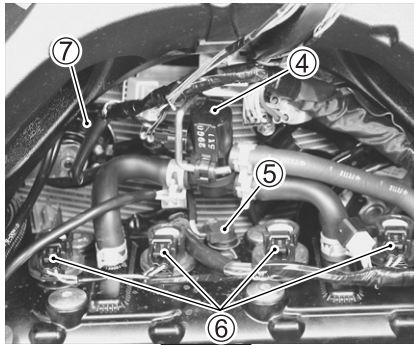
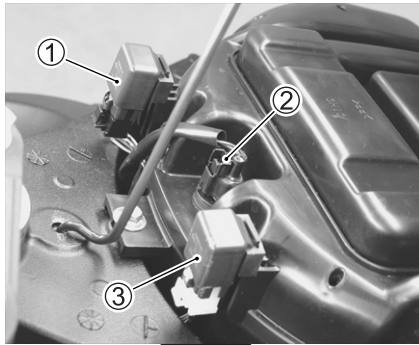
### NOTE:

- \* When connecting the multi-circuit tester, use the needle pointed probe to the back side of the lead wire coupler and connect the probes of tester to them.
- \* Use the needle pointed probe to prevent the rubber of the water proof coupler from damage.

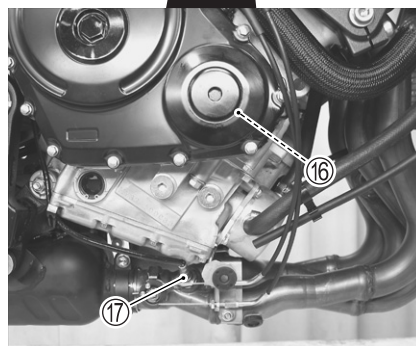
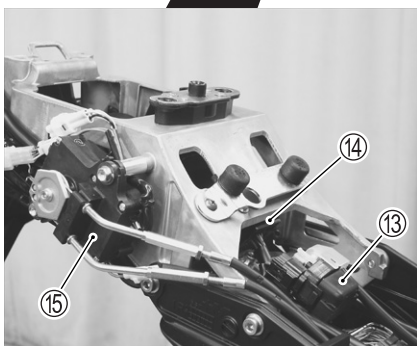
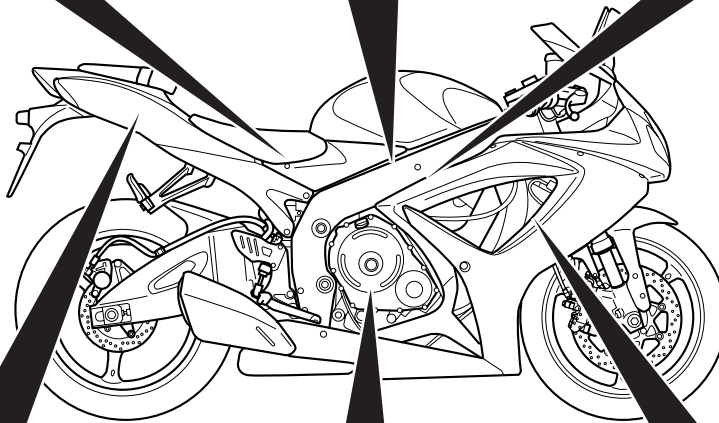
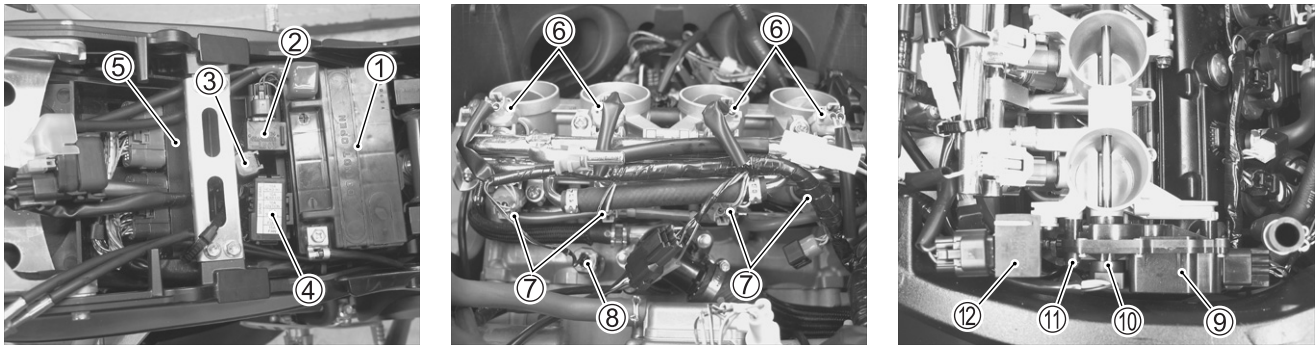
 **09900-25009: Needle pointed probe set**



## LOCATION OF ELECTRICAL COMPONENTS

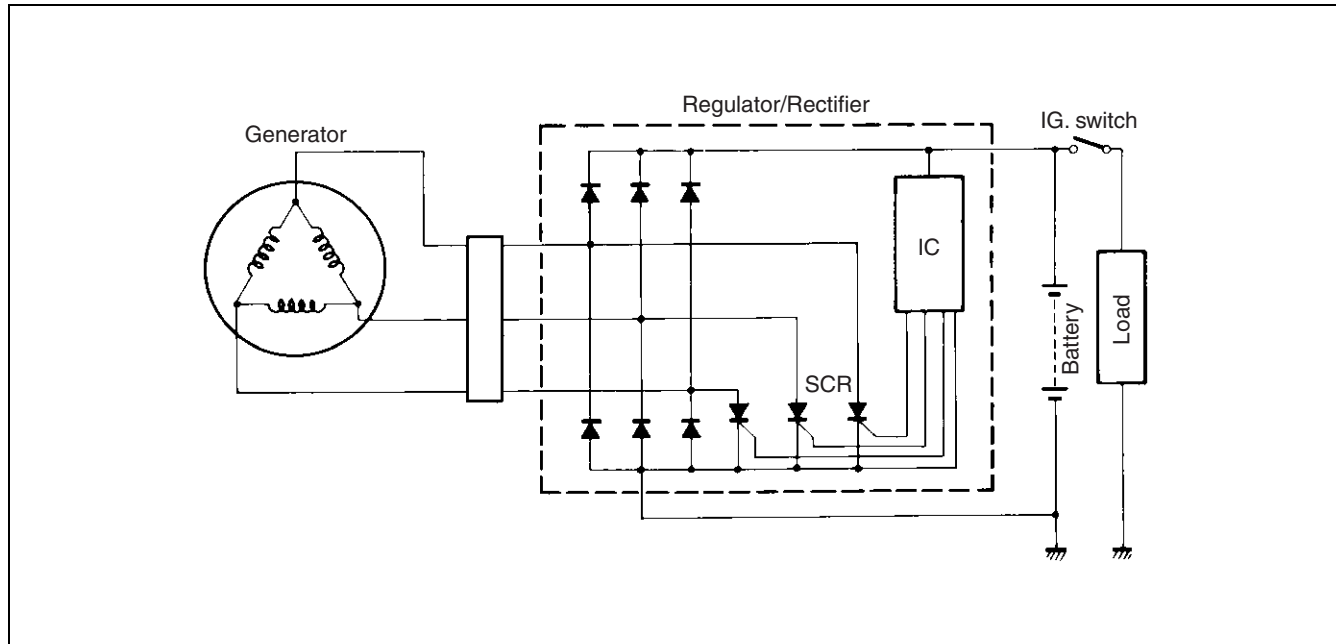


- |  |                       |
|--|-----------------------|
| ① Fuel pump relay (☞ 5-7)              | ⑨ Fuel pump (☞ 5-8)   |
| ② IAT sensor (☞ 4-53)                  | ⑩ Regulator/Rectifier |
| ③ Cooling fan relay (☞ 7-7)            | ⑪ Oil pressure switch |
| ④ PAIR control solenoid valve (☞ 11-7) | ⑫ Generator           |
| ⑤ CMP sensor (☞ 4-33)                  | ⑬ Speed sensor        |
| ⑥ Ignition coil (No. 1, 2, 3, 4)       | ⑭ GP switch           |
| ⑦ Horn                                 | ⑮ Side-stand switch   |
| ⑧ Fuel level gauge                     | ⑯ TO sensor (☞ 4-63)  |



- |  |                                  |
|--|----------------------------------|
| ① Battery                                | ⑩ STP sensor (☞ 4-70)            |
| ② AP sensor (☞ 4-57)                     | ⑪ TP sensor (☞ 4-44)             |
| ③ Mode selection switch coupler (☞ 4-18) | ⑫ IAP sensor (☞ 4-38)            |
| ④ Fuse Box                               | ⑬ Starter relay/Main fuse        |
| ⑤ ECM (Engine Control Module)            | ⑭ Turn signal/Side-stand relay   |
| ⑥ Secondary fuel injector (☞ 4-80)       | ⑮ EXCVA (☞ 6-4)                  |
| ⑦ Primary fuel injector (☞ 4-77)         | ⑯ CKP sensor (☞ 4-35)            |
| ⑧ ECT sensor (☞ 4-49)                    | ⑰ HO2 sensor (E-02, 19) (☞ 4-87) |
| ⑨ STV actuator (☞ 4-67)                  | ⑱ Cooling fan (☞ 7-6)            |

## CHARGING SYSTEM



## TROUBLESHOOTING

### Battery runs down quickly

#### Step 1

1) Check accessories which use excessive amounts of electricity.

Are accessories being installed?

YES	Remove accessories.
NO	Go to Step 2.

#### Step 2

1) Check the battery for current leaks. (☞ 9-9)

Is the battery for current leaks OK?

YES	Go to Step 3.
NO	<ul style="list-style-type: none"> <li>• Short circuit of wire harness</li> <li>• Faulty electrical equipment</li> </ul>

#### Step 3

1) Measure the regulated voltage between the battery terminals. (☞ 9-10)

Is the regulated voltage OK?

YES	<ul style="list-style-type: none"> <li>• Faulty battery</li> <li>• Abnormal driving condition</li> </ul>
NO	Go to Step 4.

#### Step 4

1) Measure the resistance of the generator coil. (☞ 9-10)

Is the resistance of generator coil OK?

YES	Go to Step 5.
NO	<ul style="list-style-type: none"> <li>• Faulty generator coil</li> <li>• Disconnected lead wires</li> </ul>

**Step 5**

1) Measure the generator no-load performance. (☞ 9-11)

Is the generator no-load performance OK?

YES	Go to Step 6.
NO	Faulty generator

**Step 6**

1) Inspect the regulator/rectifier. (☞ 9-11)

Is the regulator/rectifier OK?

YES	Go to Step 7.
NO	Faulty regulator/rectifier

**Step 7**

1) Inspect wirings.

Is the wirings OK?

YES	Faulty battery
NO	<ul style="list-style-type: none"> <li>• Short circuit of wire harness</li> <li>• Poor contact of couplers</li> </ul>

**Battery overcharges**

- Faulty regulator/rectifier
- Faulty battery
- Poor contact of generator lead wire coupler

**INSPECTION****BATTERY CURRENT LEAKAGE**

- Remove the front seat. (☞ 8-7)
- Turn the ignition switch to the OFF position.
- Disconnect the battery  $\ominus$  lead wire.
- Measure the current between  $\ominus$  battery terminal and the  $\ominus$  battery lead wire using the multi-circuit tester. If the reading exceeds the specified value, leakage is evident.

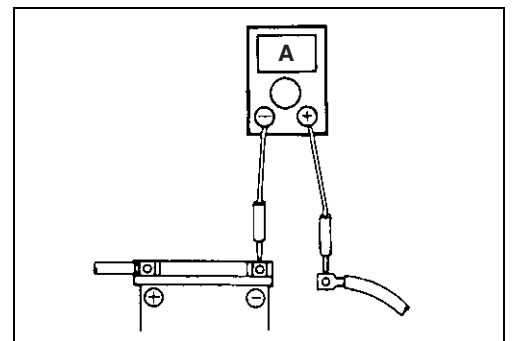
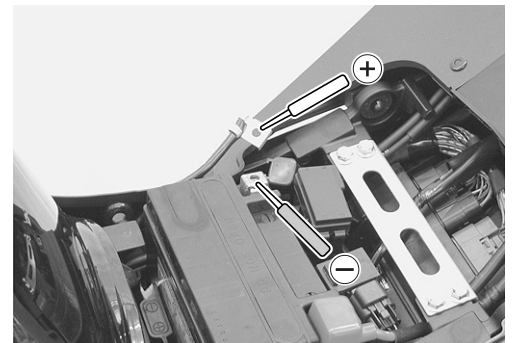
**TOOL** 09900-25008: Multi-circuit tester set

**DATA** Battery current (leak): Under 3 mA

**TESTER** Tester knob indication: Current ( $\overline{-}$ , 20 mA)

**CAUTION**

- \* In case of a large current leak, turn the tester to high range first to avoid tester damage.
- \* Do not turn the ignition switch to the "ON" position when measuring current.





### REGULATED VOLTAGE

- Remove the front seat. (☞ 8-7)
- Start the engine and keep it running at 5 000 r/min with the dimmer switch turned HI position.
- Measure the DC voltage between the ⊕ and ⊖ battery terminals using the multi-circuit tester. If the voltage is not within the specified value, inspect the generator and regulator/rectifier. (☞ 9-10 and -11)

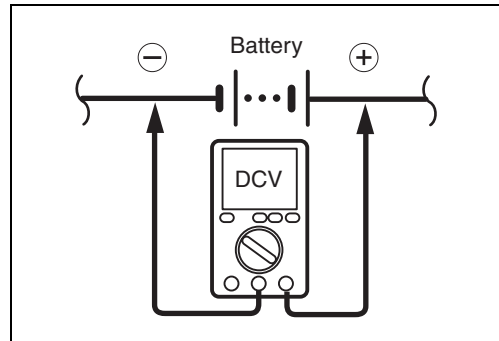
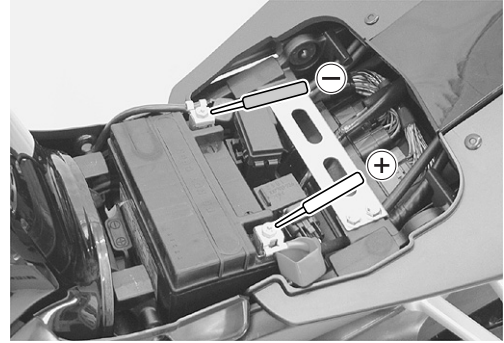
**NOTE:**

When making this test, be sure that the battery is in fully-charged condition.

**TOOL** 09900-25008: Multi-circuit tester set

**TESTER** Tester knob indication: Voltage (V)

**DATA** Regulated voltage (Charging output):  
14.0 – 15.5 V at 5 000 r/min



### GENERATOR COIL RESISTANCE

- Lift and support the fuel tank. (☞ 5-3)
- Disconnect the generator coupler.
- Measure the resistance between the three lead wires. If the resistance is out of specified value, replace the stator with a new one. Also, check that the generator core is insulated properly.

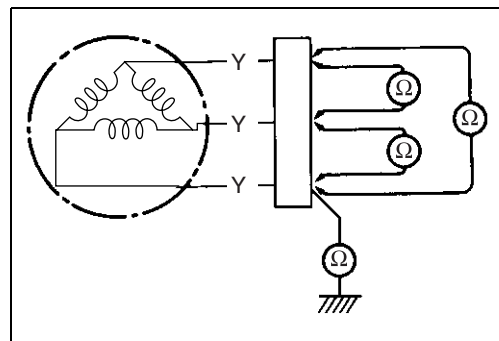
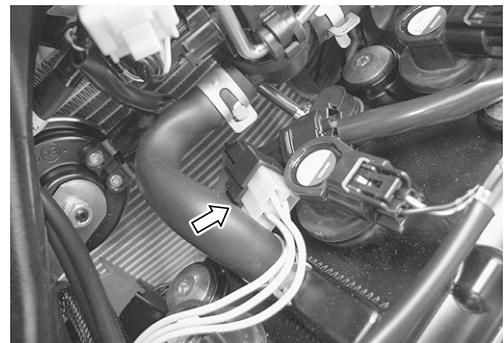
**TOOL** 09900-25008: Multi-circuit tester set

**TESTER** Tester knob indication: Resistance (Ω)

**DATA** Generator coil resistance: 0.2 – 1.0 Ω (Yellow – Yellow)  
∞ Ω (Yellow – Ground)

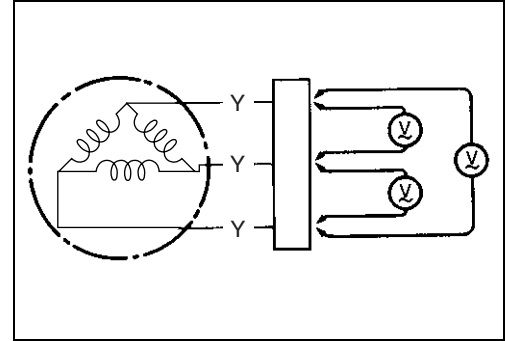
**NOTE:**

When making above test, it is not necessary to remove the generator.



**GENERATOR NO-LOAD PERFORMANCE**

- Lift and support the fuel tank. (☞ 5-3)
  - Disconnect the generator coupler.
  - Start the engine and keep it running at 5 000 r/min.
  - Using the multi-circuit tester, measure the voltage between three lead wires.
- If the tester reads under the specified value, replace the generator with a new one.



**TOOL** 09900-25008: Multi-circuit tester set

**Tester knob indication: Voltage (~)**

**DATA** Generator no-load performance:  
65 V and more at 5 000 r/min (When engine is cold)

**REGULATOR/RECTIFIER**

- Lift and support the fuel tank. (☞ 5-3)
- Remove the air cleaner box. (☞ 5-14)
- Disconnect the regulator/rectifier couplers.
- Measure the voltage between the lead wires using the multi circuit tester as indicated in the table below. If the voltage is not within the specified value, replace the regulator/rectifier with a new one.



**TOOL** 09900-25008: Multi-circuit tester set

**Tester knob indication: Diode test (↔)**

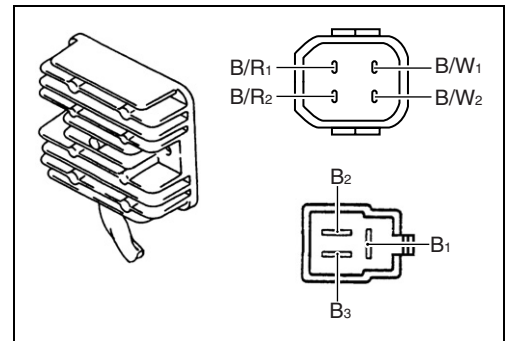
Unit: V

		⊕ Probe of tester to:						
		B/R1	B/R2	B1	B2	B3	B/W1	B/W2
⊖ Probe of tester to:	B/R1		0	0.4 - 0.7	0.4 - 0.7	0.4 - 0.7	0.5 - 1.2	0.5 - 1.2
	B/R2		0	0.4 - 0.7	0.4 - 0.7	0.4 - 0.7	0.5 - 1.2	0.5 - 1.2
	B1	*	*		*	*	0.4 - 0.7	0.4 - 0.7
	B2	*	*	*		*	0.4 - 0.7	0.4 - 0.7
	B3	*	*	*	*		0.4 - 0.7	0.4 - 0.7
	B/W1	*	*	*	*	*		0
	B/W2	*	*	*	*	*	0	

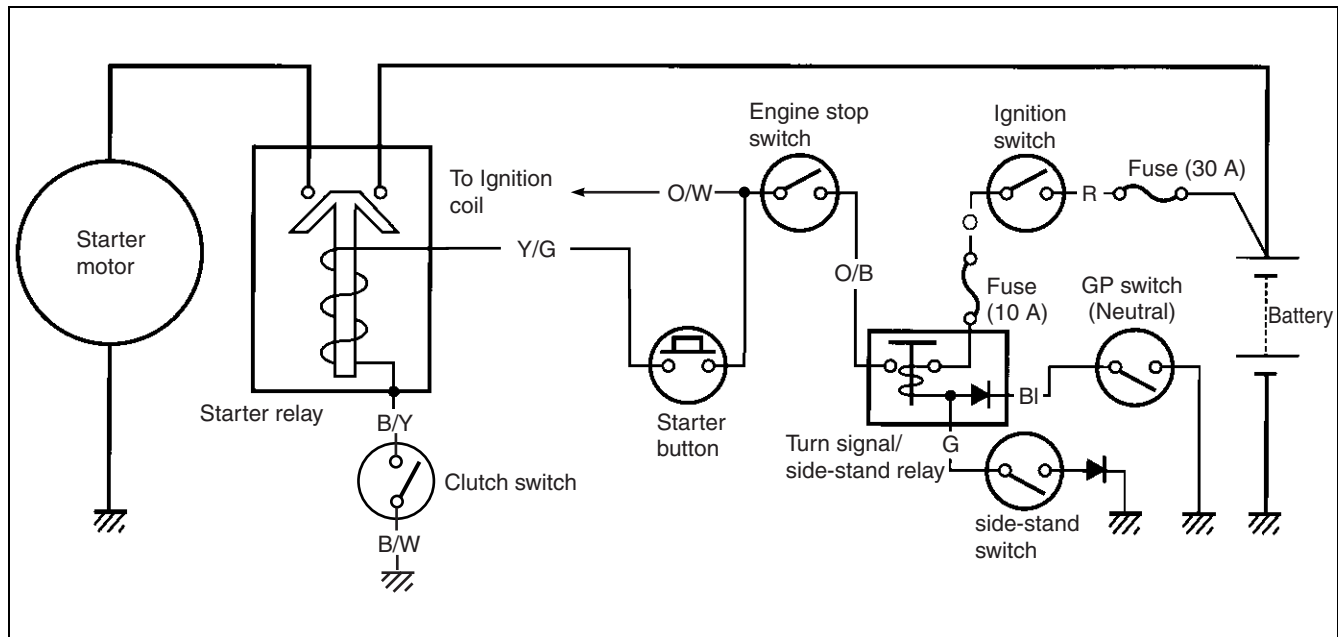
\*1.4 V and more (tester's battery voltage)

**NOTE:**

If the tester reads 1.4 V and below when the tester probes are not connected, replace its battery.



## STARTER SYSTEM AND SIDE-STAND/IGNITION INTERLOCK SYSTEM



### TROUBLESHOOTING

Make sure that the fuses are not blown and the battery is fully-charged before diagnosing.

#### Starter motor will not run

##### Step 1

- 1) Shift the transmission to neutral.
- 2) Pull the clutch lever, turn on the ignition switch with the engine stop switch in the "RUN" position and listen for a click from the starter relay when the starter button is pushed.

Is a click sound heard?

YES	Go to Step 2.
NO	Go to Step 3.

##### Step 2

- 1) Check if the starter motor runs when its terminal is connected to the battery ⊕ terminal. (Do not use thin "wire" because a large amount of current flows.)

Does the starter motor run?

YES	<ul style="list-style-type: none"> <li>• Faulty starter relay</li> <li>• Loose or disconnected starter motor lead wire</li> <li>• Loose or disconnected between starter relay and battery ⊕ terminal</li> </ul>
NO	Faulty starter motor

**Step 3**

1) Measure the starter relay voltage at the starter relay connectors (between Y/G ⊕ and B/Y ⊖) when the starter button is pushed.

Is a voltage OK?

YES	Go to Step 4.
NO	<ul style="list-style-type: none"> <li>• Faulty engine stop switch</li> <li>• Faulty clutch switch</li> <li>• Faulty GP switch</li> <li>• Faulty turn signal/side-stand relay</li> <li>• Faulty starter button</li> <li>• Faulty ignition switch</li> <li>• Faulty side-stand switch</li> <li>• Poor contact of connector</li> <li>• Open circuit in wire harness</li> </ul>

**Step 4**

1) Check the starter relay. (☞ 9-16)

Is the starter relay OK?

YES	Poor contact of the starter relay
NO	Faulty starter relay

**Starter motor runs but does not crank the engine****Step 1**

1) The starter motor runs when the transmission is in neutral, but does not run when the transmission is in any position other than neutral, with the side-stand up.

2) Check the side-stand switch. (☞ 9-17)

Is the side-stand switch OK?

YES	Go to Step 2.
NO	Faulty side-stand switch

**Step 2**

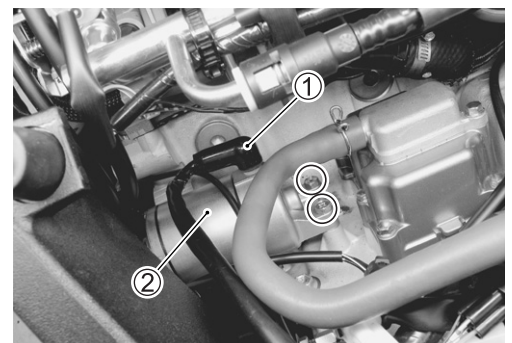
1) Check the starter clutch.

Is the starter clutch OK?

YES	<ul style="list-style-type: none"> <li>• Open circuit in wire harness</li> <li>• Poor contact of connector</li> </ul>
NO	Faulty starter clutch

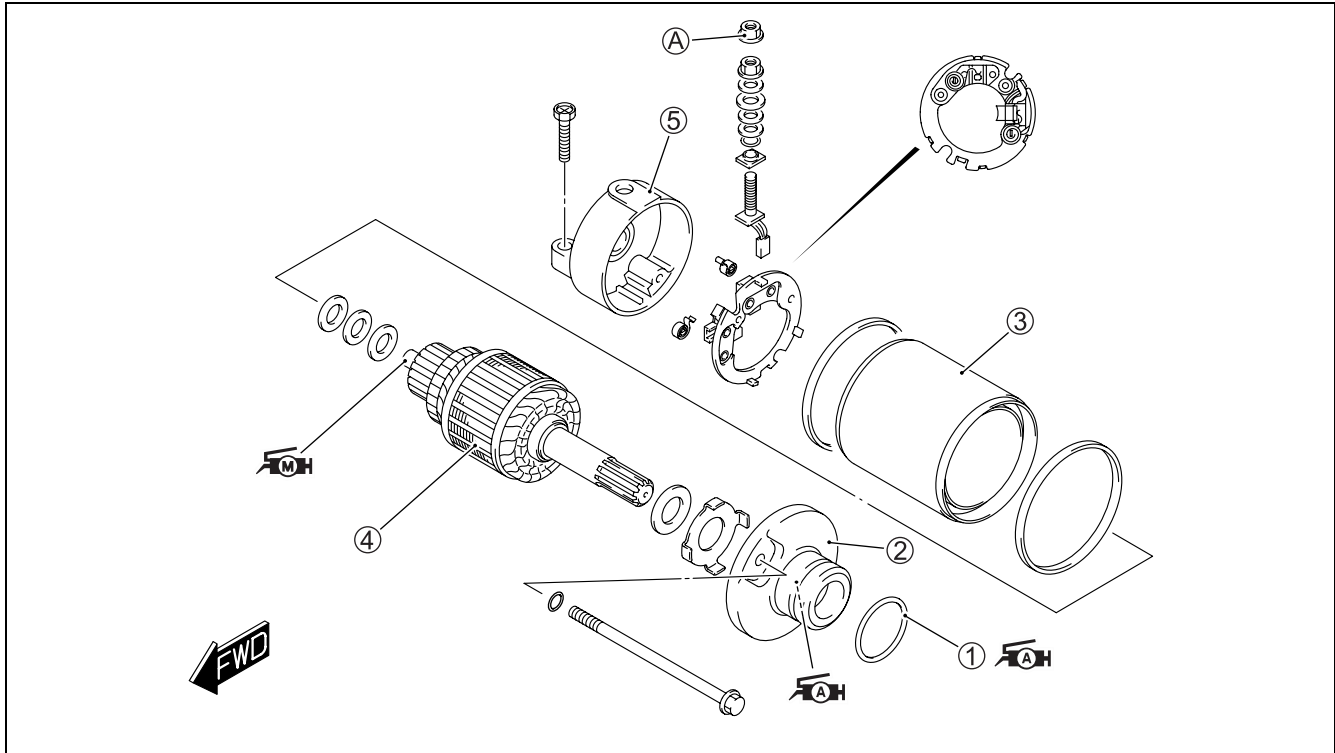
**STARTER MOTOR REMOVAL**

- Remove the front seat. (☞ 8-7)
- Disconnect the battery ⊖ lead wire.
- Lift and support the fuel tank. (☞ 5-3)
- Disconnect the starter motor lead wire ①.
- Remove the starter motor ②.



## STARTER MOTOR DISASSEMBLY

- Disassemble the starter motor as shown in the illustration.



① O-ring	④ Armature
② Housing end (inside)	⑤ Housing end (outside)
③ Starter motor case	Ⓐ Lead wire mounting bolt



ITEM	N·m	kgf·m	lb·ft
Ⓐ	6	0.6	4.5

## STARTER MOTOR INSPECTION

### CARBON BRUSH

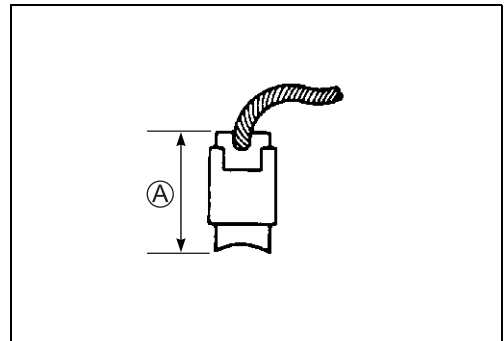
Inspect the brushes for abnormal wear, cracks, or smoothness in the brush holder.

If any damages are found, replace the brush assembly with a new one.

Make sure that the length Ⓐ is not less than 6.5 mm (0.26 in). If this length becomes less than 6.5 mm (0.26 in), replace the brush.

### **DATA** Starter motor brush length

**Service Limit: 6.5 mm (0.26 in)**



### COMMUTATOR

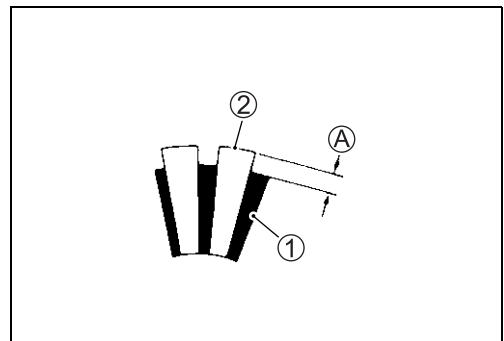
Inspect the commutator for discoloration, abnormal wear or undercut Ⓐ.

If abnormal wear is found, replace the armature with a new one.

If the commutator surface is discolored, polish it with #400 sand paper and wipe it using a clean dry cloth.

If there is no undercut, scrape out the insulator with a saw blade.

- ① Insulator
- ② Segment



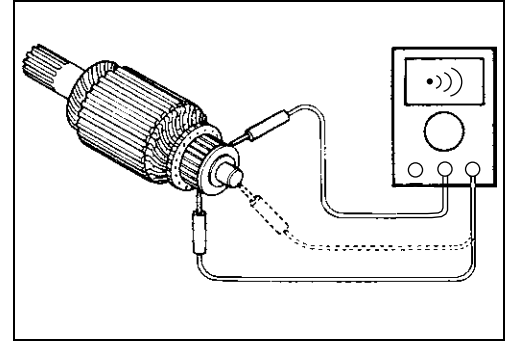
### ARMATURE COIL INSPECTION

Check for continuity between each segment and between each segment and the armature shaft using the multi-circuit tester.

If there is no continuity between the segments or there is continuity between the segments and shaft, replace the armature with a new one.

 **09900-25008: Multi-circuit tester set**

 **Tester knob indication: Continuity test (••••)**



### OIL SEAL INSPECTION

Check the oil seal lip for damage or leakage.

If any damage is found, replace the housing end.



### STARTER MOTOR REASSEMBLY

Reassemble the starter motor in the reverse order of disassembly. Pay attention to the following points:

- Apply SUZUKI SUPER GREASE "A" to the lip of the oil seal.

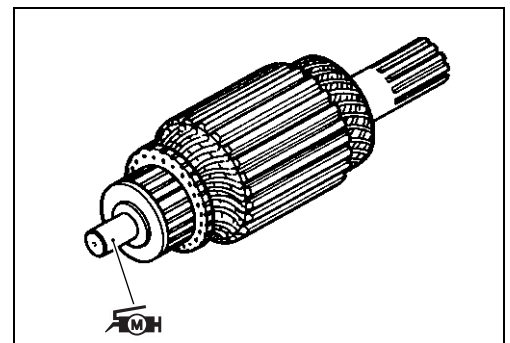
 **99000-25010: SUZUKI SUPER GREASE "A"**  
(or equivalent grease)




- Apply a small quantity of SUZUKI MOLY PASTE to the armature shaft.

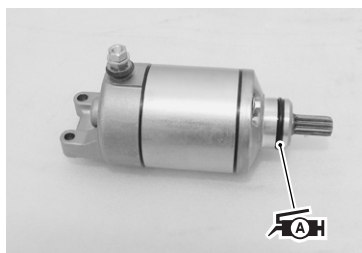
 **99000-25140: SUZUKI MOLY PASTE**

- Fit the projection of the starter motor case to the depression of the housing end.



- Apply SUZUKI SUPER GREASE to the O-ring.

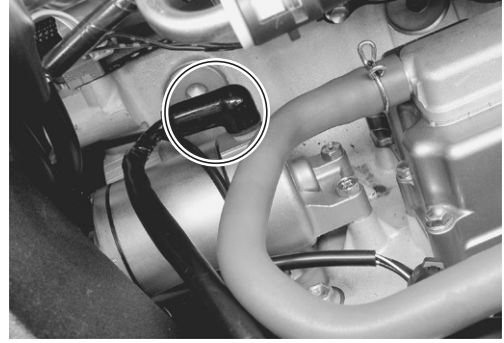
 **99000-25010: SUZUKI SUPER GREASE "A"**  
(or equivalent grease)





- Tighten the starter motor lead wire mounting bolt to the specified torque.

 **Lead wire mounting bolt: 6 N·m (0.6 kgf·m, 4.5 lb·ft)**



## STARTER RELAY INSPECTION

- Remove the front seat. (➡ 8-7)
- Disconnect the battery  $\ominus$  lead wire from the battery.
- Remove the frame cover. (➡ 8-8)
- Remove the starter relay cover ①.
- Disconnect the starter motor lead wire ②, battery lead wire ③ and starter relay coupler ④.
- Remove the starter relay ⑤.
- Apply 12 V to (A) and (B) terminals and check for continuity between the positive and negative terminals using the multi-circuit tester. If the starter relay clicks and continuity is found, the relay is ok.

 **09900-25008: Multi-circuit tester set**

 **Tester knob indication: Continuity test (•••••)**

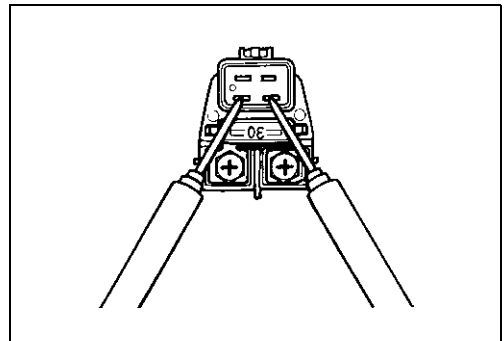
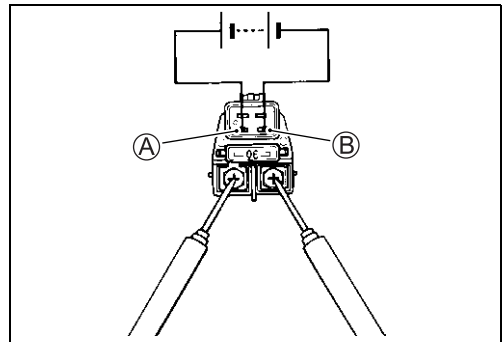
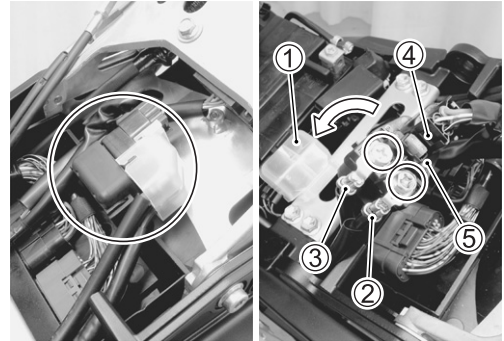
### CAUTION

**Do not apply battery voltage to the starter relay for more than five seconds, since the relay coil may over-heat and get damaged.**

Measure the relay coil resistance between the terminals using the multi-circuit tester. If the resistance is not within the specified value, replace the starter relay with a new one.

 **09900-25008: Multi-circuit tester set**

 **Starter relay resistance: 3 – 6  $\Omega$**



## SIDE STAND/IGNITION INTERLOCK SYSTEM PARTS INSPECTION

Check the interlock system for proper operation. If the interlock system does not operate properly, check each component for damage or abnormalities. If any abnormality is found, replace the component with a new one.

### SIDE-STAND SWITCH

The side-stand switch coupler is located above the crankcase.

- Remove the front seat.
- Disconnect the battery  $\ominus$  lead wire from the battery.
- Lift and support the fuel tank. (☞ 5-3)
- Disconnect the side-stand switch coupler and measure the voltage between Green and Black/White lead wires.

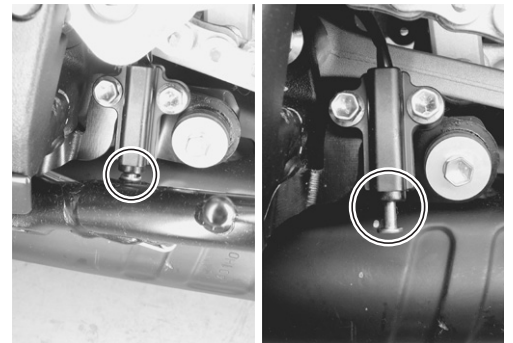
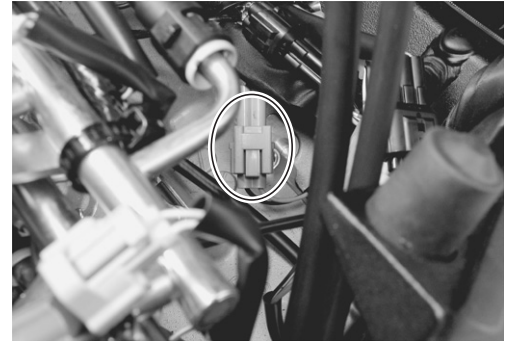
 **09900-25008: Multi-circuit tester set**

 **Tester knob indication: Diode test (+↔-)**

	Green (+ Probe)	Black/White (- Probe)
ON (Side-stand up)	0.4 – 0.6 V	
OFF (Side-stand down)	1.4 V and more (Tester's battery voltage)	

#### NOTE:

*If the tester reads 1.4 V and below when the tester probes are not connected, replace its battery.*



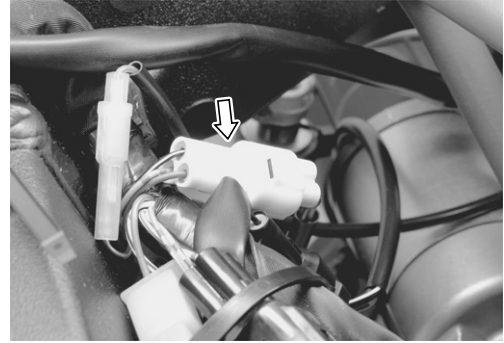
**GEAR POSITION SWITCH**

- Remove the front seat.
- Disconnect the battery  $\ominus$  lead wire from the battery.
- Lift and support the fuel tank. (☞ 5-3)
- Disconnect the gear position switch coupler and check the continuity between Blue and Black/White with the transmission in “NEUTRAL”.

**TOOL** 09900-25008: Multi-circuit tester set

**Tester knob indication: Continuity test (•••)**

	Blue	Black/White
ON (Neutral)	○ — ○	○ — ○
OFF (Except neutral)		



**CAUTION**

When disconnecting and connecting the gear position switch coupler, make sure to turn OFF the ignition switch, or electronic parts may get damaged.

- Connect the gear position switch coupler to the wiring harness.
- Connect the battery  $\ominus$  lead wire from the battery.
- Turn the ignition switch to “ON” position and side-stand to upright position.
- Measure the voltage between Pink and Black/White lead wires using the multi-circuit tester with needle pointed probe set, when shifting the gearshift lever from low to top.

**TOOL** 09900-25008: Multi-circuit tester set

09900-25009: Needle pointed probe set

**Tester knob indication: Voltage (---)**

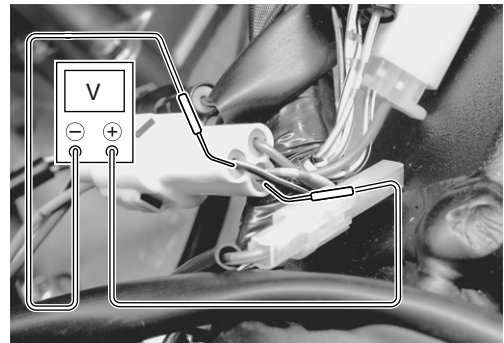
**DATA** Gear position switch voltage: 0.6 V and more

\* Low to top gear position (Pink  $\oplus$  – B/W  $\ominus$ )

\* Except neutral position (Pink  $\oplus$  – B/W  $\ominus$ )

**CAUTION**

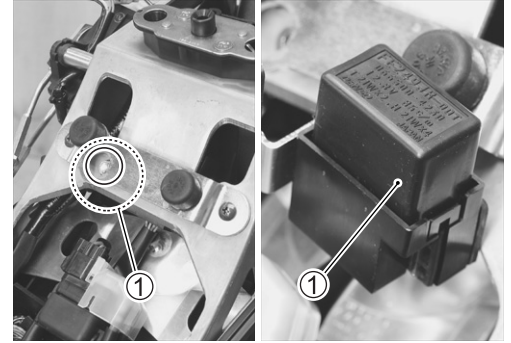
Use the special tool, to prevent the rubber of the water proof coupler from damage.



### TURN SIGNAL/SIDE-STAND RELAY

The turn signal/side-stand relay is composed of the turn signal relay, side-stand relay and diode.

- Remove the front seat. (8-7)
- Disconnect the battery  $\ominus$  lead wire from the battery.
- Remove the frame cover. (8-8)
- Remove the turn signal/side-stand relay ①.

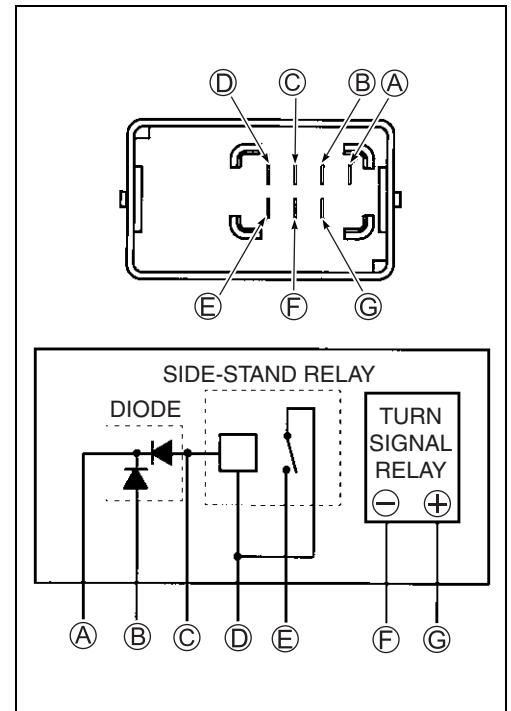


### SIDE-STAND RELAY INSPECTION

First check the insulation between  $\textcircled{D}$  and  $\textcircled{E}$  terminals with the tester. Then apply 12 V to terminals  $\textcircled{D}$  and  $\textcircled{C}$  ( $\oplus$  to  $\textcircled{D}$  and  $\ominus$  to  $\textcircled{C}$ ) and check the continuity between  $\textcircled{D}$  and  $\textcircled{E}$ . If there is no continuity, replace the turn signal/side-stand relay with a new one.

**TOOL** 09900-25008: Multi-circuit tester set

**Tester knob indication: Continuity test (••••)**



### DIODE INSPECTION

Measure the voltage between the terminals using the multi-circuit tester. Refer to the following table.

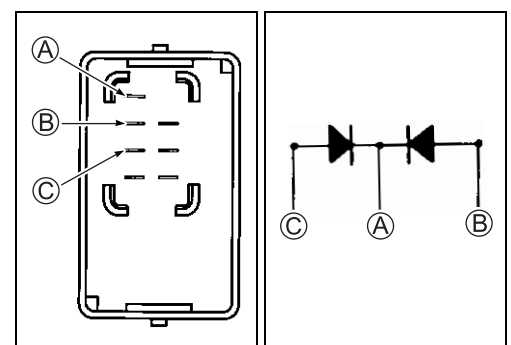
Probe of tester to:	$\oplus$ Probe of tester to:	
	$\textcircled{C}, \textcircled{B}$	$\textcircled{A}$
$\ominus$ Probe of tester to:		
$\textcircled{C}, \textcircled{B}$		1.4 V and more (Tester's battery voltage)
$\textcircled{A}$	0.4 – 0.6 V	

**TOOL** 09900-25008: Multi-circuit tester set

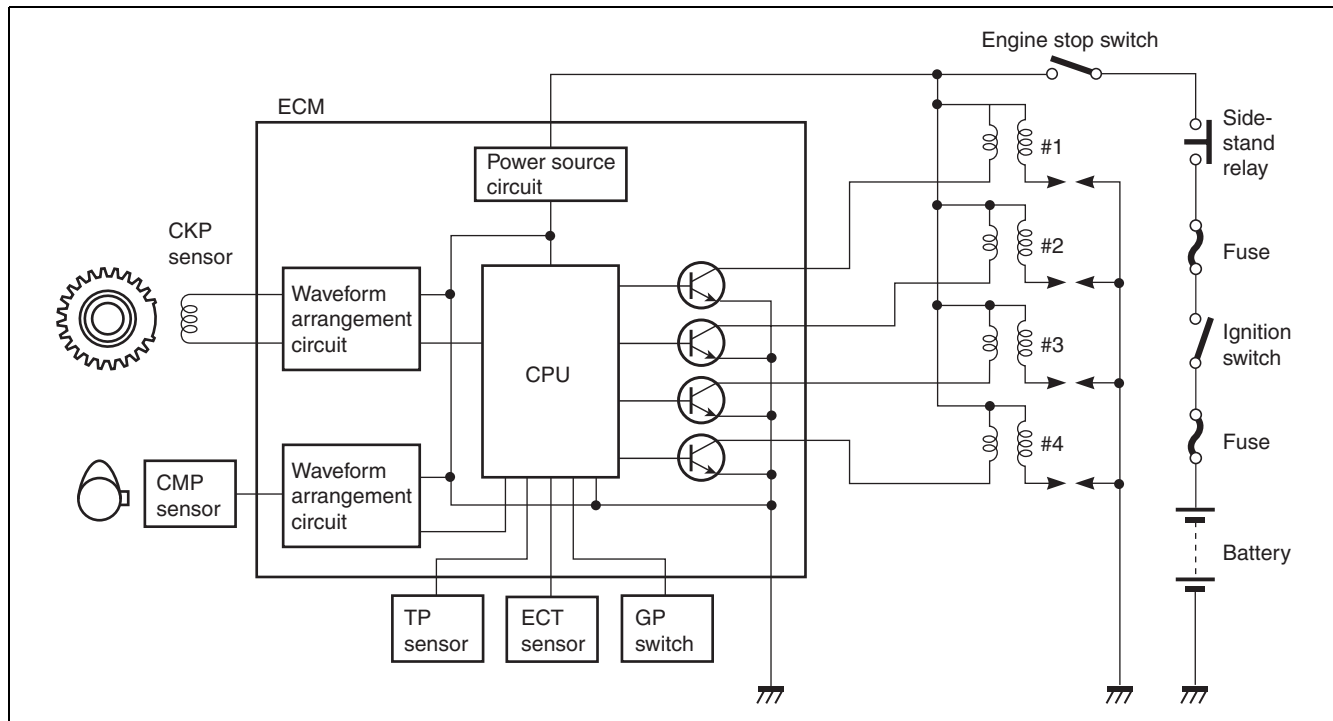
**Tester knob indication: Diode test (+←)**

**NOTE:**

If the multi circuit tester reads 1.4 V and below when the tester probes are not connected, replace its battery.



## IGNITION SYSTEM



### NOTE:

The fuel cut-off circuit is incorporated in this ECM in order to prevent over-running of engine. When engine speed reaches 15 500 r/min, this circuit cuts off fuel at the fuel injector. But under no load, the clutch lever is pulled or the gear position is neutral, this circuit cuts off fuel when engine speed reaches 15 100 r/min.

E-03, 24, 33: The circuit cuts off the ignition primary current for all spark plugs.

### CAUTION

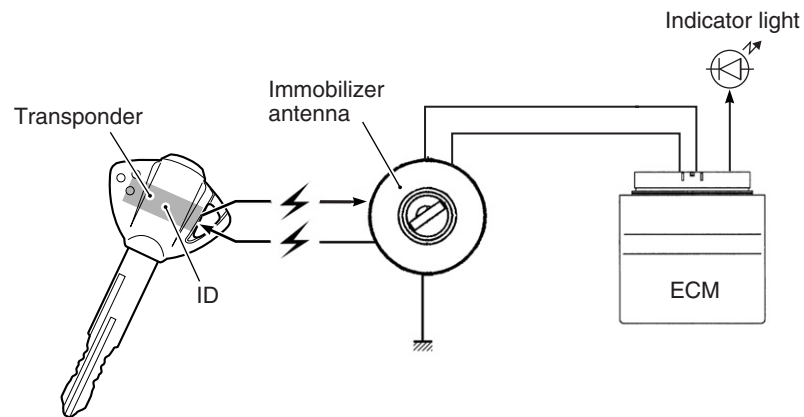
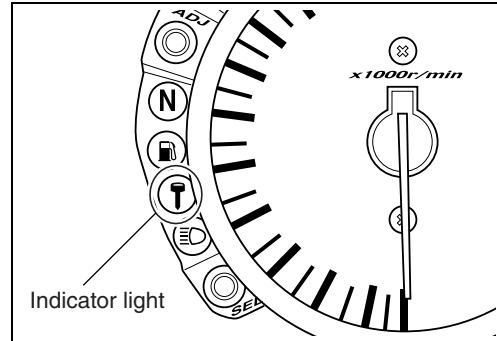
**Under no load, the engine can run over 15 100 r/min though the ignition cut-off circuit is effective, which may possibly cause engine damage. Do not run the engine without load over 15 100 r/min at anytime.**

## IMMOBILIZER (Except for E-03, 28, 33)

### DESCRIPTION

The immobilizer, an anti-theft system, is installed as a standard equipment.

The immobilizer verifies that the key ID agrees with ECM ID by means of radio communication through the immobilizer antenna. When the ID agreement is verified, the system makes the engine ready to start.



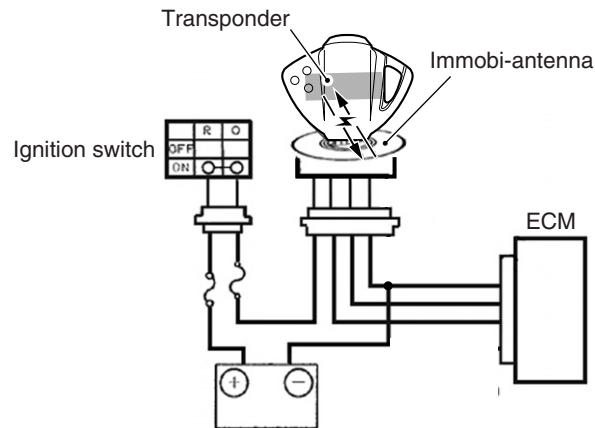


## Operation

When the ignition switch is turned ON with the engine stop switch in ON, the immobi-antenna and ECM are powered ON.

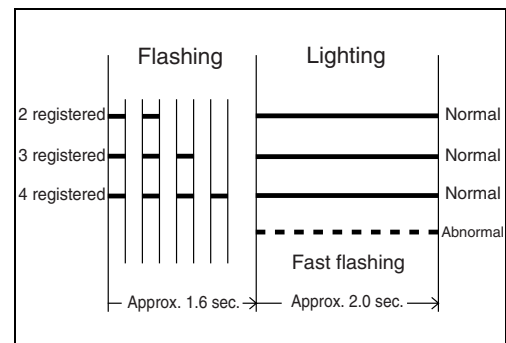
The ECM transmits a signal to the transponder through the immobi-antenna in order to make comparison between the key ID and ECM ID.

With the signal received, the transponder transmits the key ID signal to ECM so that ECM can make comparison with its own ID, and if it matches, the engine is made ready to start.



Also, when the ignition switch is turned ON, the indicator light flashes as many as the number of IDs registered in ECM. Thereafter, if the IDs are in agreement, the indicator light turns on for two seconds to notify of completion in successful communication.

If the indicator light (LED) flashes fast, it notifies of communication error or disagreement of ID.

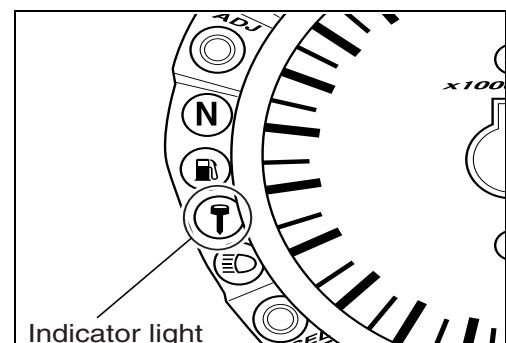


### NOTE:

If the indicator light flashes fast, turn the ignition switch OFF then ON to make judgment again as there is possible misjudgment due to environmental radio interference.

### CAUTION

When the battery performance is lowered in winter (low temperature), the system may at times makes a re-judgment at the time of beginning the starter motor operation. In this case, the indicator light operation starts immediately after the starter operation.



### NOTE:

In the case that the LED flashes fast, remains lit or unlit, the probable cause of such a failure may be due to abnormal condition in the key, key cylinder, wiring harness or ECM. (If such a failure exists, contact your distributor or dealer.)

## TROUBLESHOOTING

### No spark or poor spark

#### NOTE:

Check that the transmission is in neutral and the engine stop switch is in the "RUN" position. Grasp the clutch lever. Check that the fuse is not blown and the battery is fully-charged before diagnosing.

#### Step 1

1) Check the ignition system couplers for poor connections.

Is there connection in the ignition system couplers?

YES	Go to Step 2.
NO	Poor connection of couplers

#### Step 2

1) Measure the battery voltage between input lead wires at the ECM with the ignition switch in the "ON" position. (E-02, 19, 24: O/G and B/W, E-03, 28, 33: O/W and B/W)

Is the voltage OK?

YES	Go to Step 3.
NO	<ul style="list-style-type: none"> <li>• Faulty ignition switch</li> <li>• Faulty turn signal/side-stand relay</li> <li>• Faulty engine stop switch</li> <li>• Broken wire harness or poor connection of related circuit couplers</li> </ul>

#### Step 3

1) Measure the ignition coil primary peak voltage. (☞ 9-25)

#### NOTE:

This inspection method is applicable only with the multi circuit tester and the peak volt adaptor.

Is the peak voltage OK?

YES	Go to Step 4.
NO	Go to Step 5.

#### Step 4

1) Inspect the spark plugs. (☞ 2-5 to -6)

Is the spark plug OK?

YES	Go to Step 5.
NO	Faulty spark plug(-s).

**Step 5**

1) Inspect the ignition coil/plug caps. (☞ 9-26)

Is the ignition coil/plug cap OK?

YES	Go to Step 6.
NO	<ul style="list-style-type: none"> <li>• Poor connection of the ignition coil/plug cap(-s).</li> <li>• Faulty ignition coil/plug cap(-s).</li> </ul>

**Step 6**

1) Measure the CKP sensor peak voltage and its resistance. (☞ 9-27 to -28)

*NOTE:*

*The CKP sensor peak voltage inspection is applicable only with the multi circuit tester and peak volt adaptor.*

Is the peak voltage and resistance OK?

YES	<ul style="list-style-type: none"> <li>• Faulty ECM</li> <li>• Open or short circuit in wire harness</li> <li>• Poor connection of ignition couplers</li> </ul>
NO	<ul style="list-style-type: none"> <li>• Faulty CKP sensor</li> <li>• Metal particles or foreign material being stuck on the CKP sensor and rotor tip</li> </ul>

## INSPECTION

### IGNITION COIL PRIMARY PEAK VOLTAGE

- Remove the air cleaner box. (☞ 5-14)
- Disconnect all the ignition coil/plug cap lead wire couplers before removing the ignition coil/plug caps.
- Remove all of the ignition coil/plug caps.

#### CAUTION

- \* Do not remove the ignition coil/plug cap before disconnecting the lead wire coupler, or the lead wire will be damaged.
- \* Do not pry up the ignition coil/plug cap with a screwdriver or a bar to avoid damage.
- \* Be careful not to drop the ignition coil/plug cap as it may open or short in a circuit.

- Connect the new four spark plugs to each ignition coil/plug cap.
- Connect all the ignition coil/plug cap lead wire couplers to the ignition coil/plug caps respectively, and ground them on the cylinder head (each spark plug hole).

#### CAUTION

Avoid grounding the spark plugs and suppling the electrical shock to the cylinder head cover (magnesium parts) to prevent the magnesium material from damage.

#### NOTE:

Be sure that all couplers and spark plugs are connected properly and the battery used is in fully-charged condition.

Inspect each ignition coil primary peak voltage at the ignition coil/plug cap coupler.

- Connect the multi-circuit tester with peak voltage adaptor as follows.

No. 1 ignition coil/plug cap:

W/B1 wire terminal (+ Probe) – Ground (– Probe) terminal

No. 2 ignition coil/plug cap:

Black wire terminal (+ Probe) – Ground (– Probe) terminal

No. 3 ignition coil/plug cap:

Yellow wire terminal (+ Probe) – Ground (– Probe) terminal

No. 4 ignition coil/plug cap:

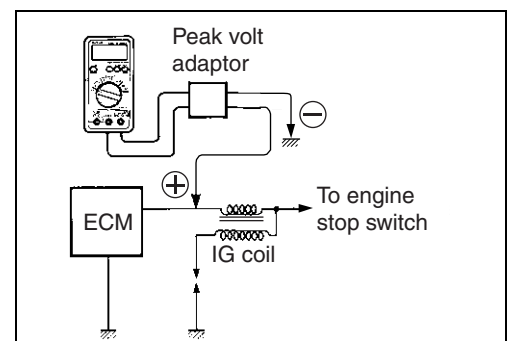
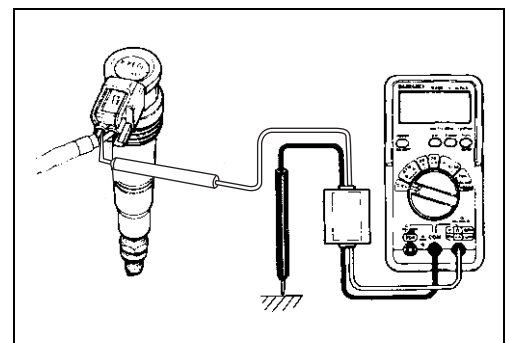
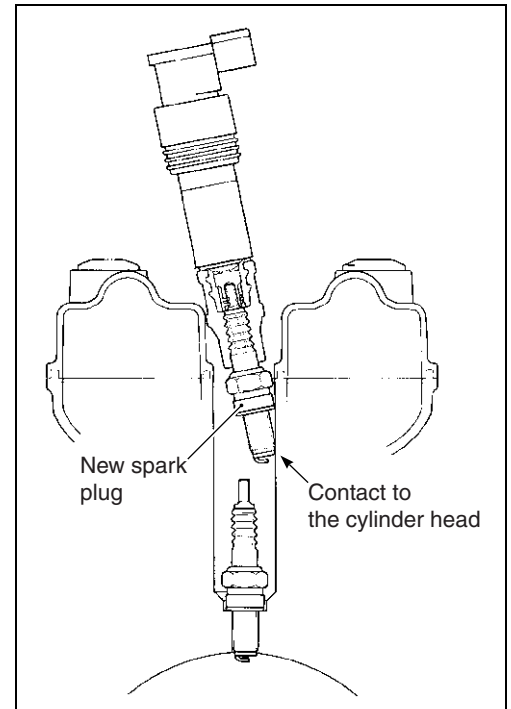
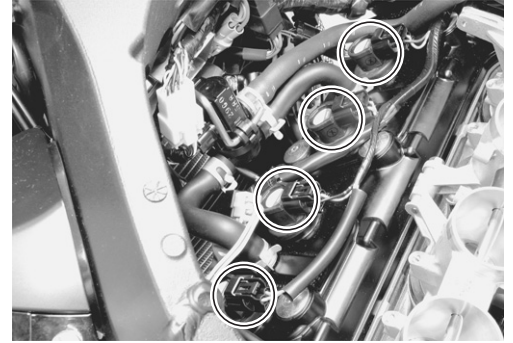
Green wire terminal (+ Probe) – Ground (– Probe) terminal

**TOOL** 09900-25008: Multi-circuit tester set

09900-25009: Needle pointed probe set

#### CAUTION

Before using the multi-circuit tester and peak volt adaptor, be sure to refer to the appropriate instruction manual.



**NOTE:**

Use the special tool, to prevent the rubber of the water proof coupler from damage.

- Shift the transmission into neutral and turn ignition switch "ON".
- Crank the engine a few seconds with the starter motor by depressing starter button and check the ignition coil primary peak voltage.
- Repeat the above inspection a few times and measure the highest peak voltage.

 **Tester knob indication: voltage (V)**

 **Ignition coil primary peak voltage: 80 V and more**

 **WARNING**

**Do not touch the tester probes and spark plugs to prevent an electric shock while testing.**

If the peak voltage is lower than the standard range, check the ignition coil/plug cap as follow.

**IGNITION COIL/PLUG CAP RESISTANCE**

- Check the ignition coil/plug cap for resistance in both primary and secondary coils. If the resistance is not within the standard range, replace the ignition coil/plug cap with a new one.

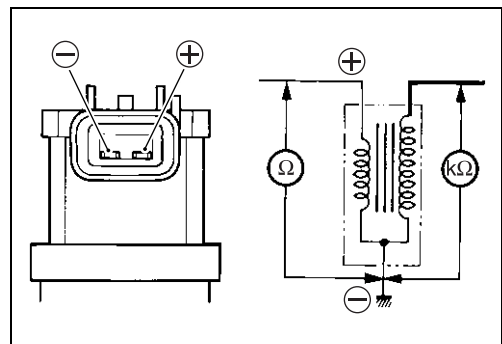
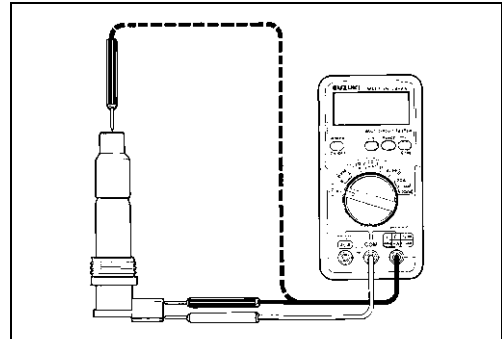
 **09900-25008: Multi-circuit tester set**

 **Tester knob indication: Resistance ( $\Omega$ )**

 **Ignition coil/plug cap resistance**

**Primary : 1.1 – 1.9  $\Omega$  (+ tap – - tap)**

**Secondary: 10.8 – 16.2 k $\Omega$  (Plug cap – - tap)**



**CKP SENSOR PEAK VOLTAGE**

- Remove the front seat. (☞ 8-7)

**NOTE:**

Be sure that all couplers are connected properly and the battery used is in fully-charged condition.

- Disconnect the both couplers ①.
- Connect the multi-circuit tester with peak volt adaptor as follows.
- Measure the CKP sensor peak voltage between Orange/Blue and Green/White lead wires at the ECM coupler (Black) ②.

G/W wire (+ Probe) – O/BI wire (– Probe)

**TOOL** 09900-25008: Multi-circuit tester set  
09900-25009: Needle pointed probe set

② Black coupler

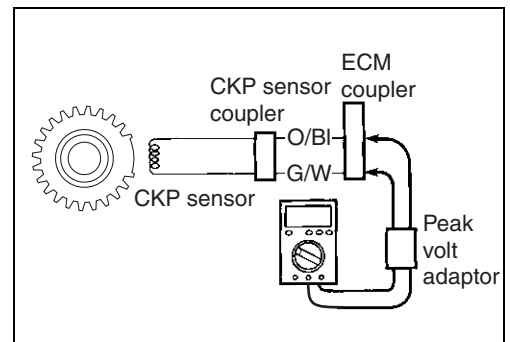
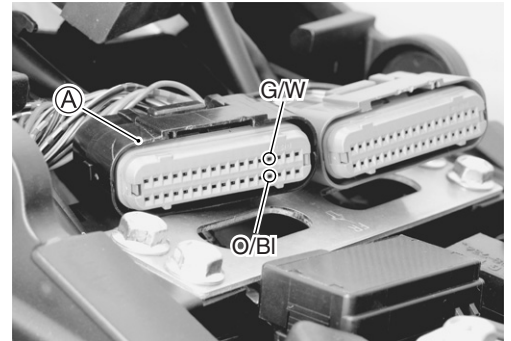
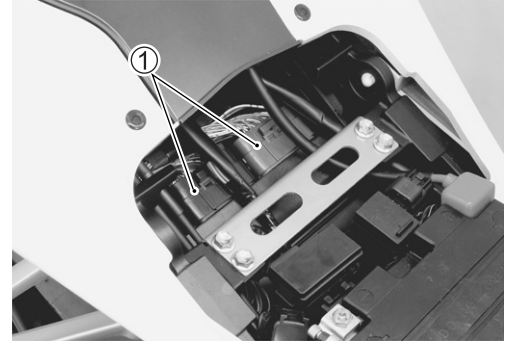
**CAUTION**

- \* Before using the multi-circuit tester and peak volt adaptor, be sure to refer to the appropriate instruction manual.
- \* Normally, use the needle pointed probe to the back-side of the lead wire coupler to prevent the terminal bend and terminal alignment.

- Shift the transmission into the neutral and turn ignition switch "ON".
- Crank the engine a few seconds with the starter motor by depressing starter button and check the CKP sensor peak voltage.
- Repeat the above test procedure a few times and measure the highest peak voltage.

**V** Tester knob indication: Voltage (---)

**DATA** CKP sensor peak voltage: 0.28 V and more  
(Orange/Blue – Green/White)





If the peak voltage is lower than the standard range, check the peak voltage at the CKP sensor lead wire coupler.

- Remove the front seat. (☞ 8-7)
- Lift and support the fuel tank. (☞ 5-3)
- Disconnect the CKP sensor lead wire coupler and connect the multi-circuit tester with the peak volt adaptor.

Black wire (+ Probe) – Green wire (– Probe)

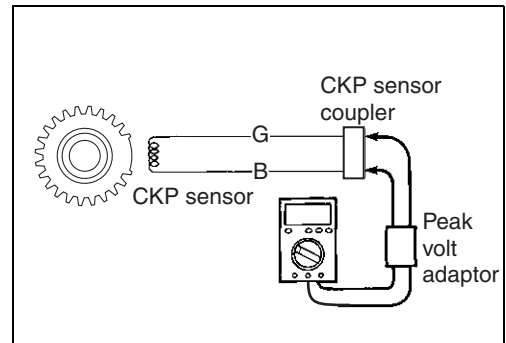
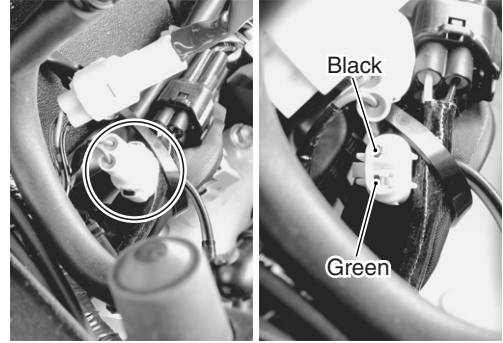
- Measure the CKP sensor peak voltage at the CKP sensor lead wire coupler.

 **Tester knob indication: Voltage (V)**

**DATA** CKP sensor peak voltage: **0.28 V and more (Green – Black)**

If the peak voltage is lower than the standard range, check each coupler connection or replace the CKP sensor and inspect it again.

If the peak voltage is within the specification, check the continuity between the CKP sensor coupler and ECM coupler.



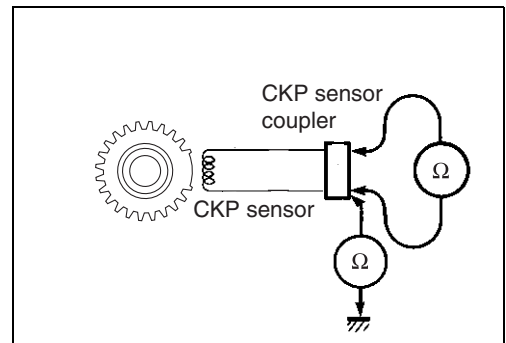
**CKP SENSOR RESISTANCE**

- Measure the resistance between the lead wires and ground. If the resistance is not as specified, the CKP sensor must be replaced.

**TOOL** 09900-25008: Multi-circuit tester set

 **Tester knob indication: Resistance (Ω)**

**DATA** CKP sensor resistance: **142 – 194 Ω (Green – Black)**  
 $\infty$  Ω (Green – Ground)



## COMBINATION METER DESCRIPTION

This combination meter mainly consists of the stepping motor, LCD (Liquid Crystal Display) and LED (Light Emitting Diode). This combination meter is light, thin and of high response compared to those currently in use because of this composition.

The rpm pointer is driven by the stepping motor.

The LCDs indicate Speed, Odo/Trip1/Trip2/Clock/Fuel reserve's trip and Engine coolant temp./FI (DTC) respectively.

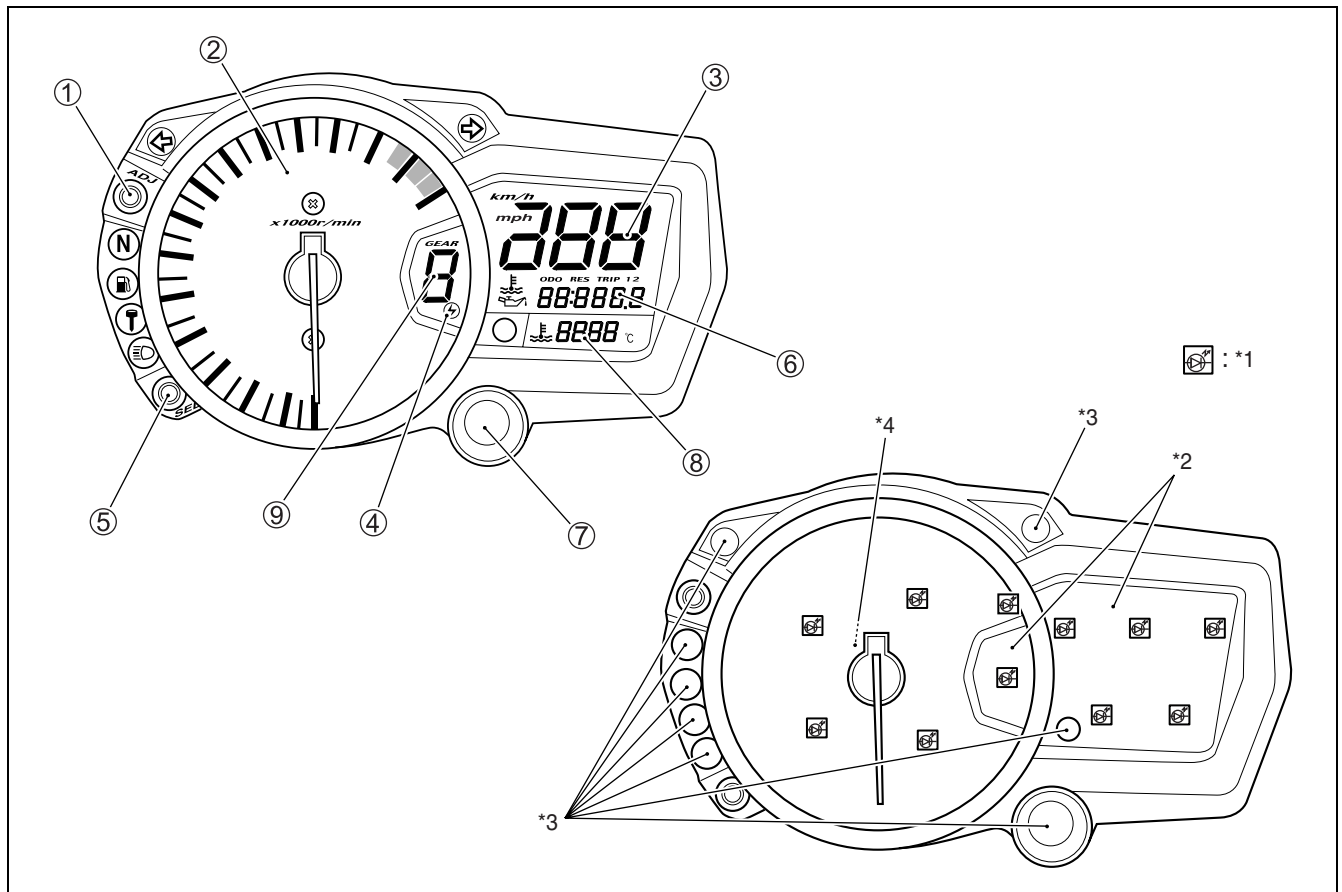
### LED (Light Emitting Diode)

LED is used for the illumination light and each indicator light.

LED is maintenance free. LED is less electric-power consuming and stronger to vibration resistance compared to the bulb.

### Engine RPM indicator light

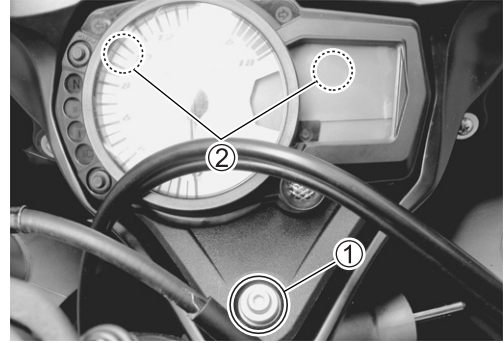
This speedometer is equipped the engine RPM indicator light. The engine RPM indicator light is adjustable from 7 000 – 16 000 r/min. (from 7 000 r/min to 10 000 r/min, every 500 r/min and 10 000 r/min to 16 000 r/min, every 250 r/min initial setting: 13 000 r/min)



①	Adjust switch (Trip/Clock/Engine revolution)	⑧	Engine coolant temperature/FI (DTC)
②	Tachometer	⑨	Gear position indicator
③	Speedometer	*1	LED (Combination meter light)
④	Engine RPM indicator mark	*2	LCD
⑤	Select switch	*3	LED
⑥	Odo/Trip 1/Trip 2/Clock/Fuel reserve's trip	*4	Stepping motor
⑦	Engine RPM indicator light		

## REMOVAL AND DISASSEMBLY

- Remove the screw ①.
- With the hooked parts ② of the combination meter pulled from the headlight housing, disconnect the combination meter lead wire coupler.
- Remove the combination meter.



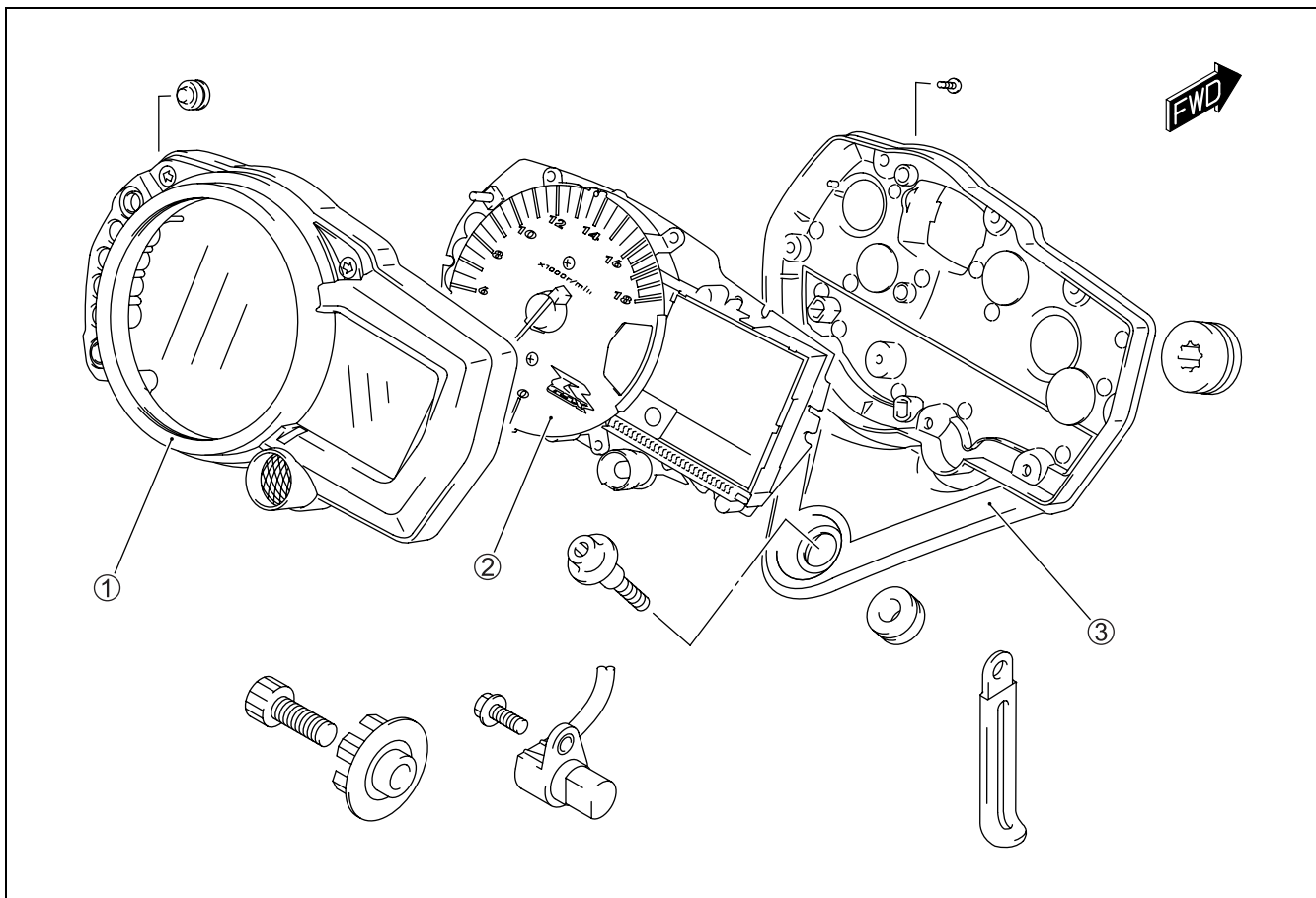
### CAUTION

When disconnecting and reconnecting the combination meter coupler, make sure to turn OFF the ignition switch, or electronic parts may get damaged.

- Disassemble the combination meter as follows.

### CAUTION

Do not attempt to disassemble the combination meter unit ②.



①	Combination meter cover	③	Combination meter case
②	Combination meter unit		

## INSPECTION

### LED (LIGHT EMITTING DIODE)

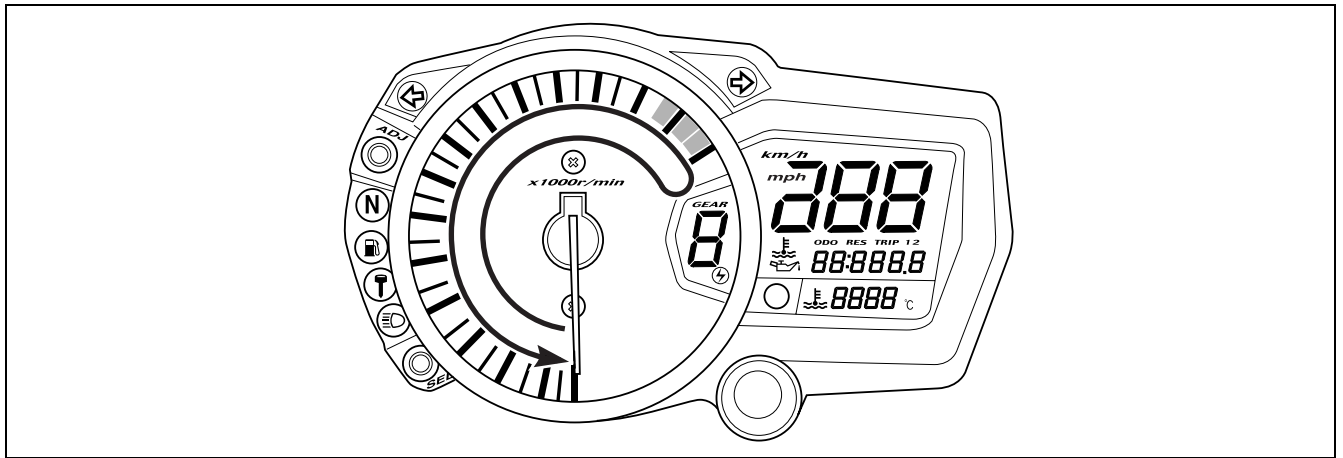
Check that the LED lights [FI light, Fuel level indicator light, Engine RPM indicator light and immobilizer indicator light (For E-02, 19, 24)] immediately after turning the ignition switch on. Also, other LED lights (Neutral indicator light, High-beam indicator light and Turn signal indicator light) can be checked by depending on each switch position.

If the LED fails in operation, replace the combination meter unit with a new one after checking its wire harness/coupler.

### STEPPING MOTOR

Check that the pointer calibrates itself immediately after turning the ignition switch on and stops at zero point.

If abnormal condition is found, replace the combination meter unit with a new one after checking its wire harness/coupler.

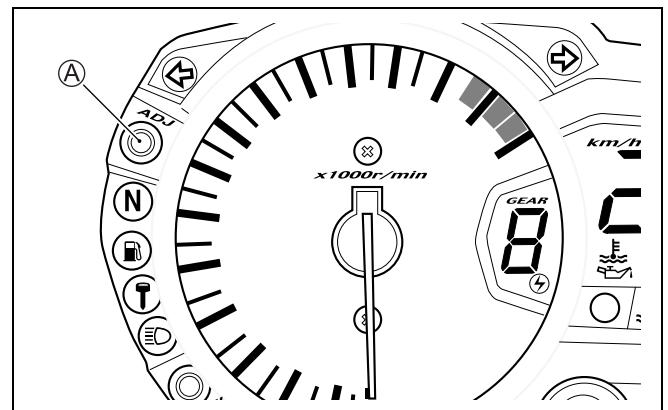


#### NOTE:

The pointer may not return to the proper position even turning the ignition switch on under low temperature condition. In that case, you can reset the pointer to the proper position by following the instruction below:

- 1) With the adjuster switch (A) pressed, turn the ignition switch on.
  - 2) Release the adjuster switch (A), 3 to 5 seconds after turning the ignition switch on.
  - 3) Press the adjuster switch (A) twice (within 1 second). →Reset
- \* Complete the operation within 10 seconds after the ignition switch has been turned on.

Time	Ignition switch	Adjuster switch (A)
	OFF	PUSH
0	ON	
•		
•		
3 sec.		
•		
5 sec.		Release
•		
•		Push
•		
•		Push→Reset
10 sec.		



Pointer will return to the starting point right after the completion of the operation. In the case of the pointer not returning to the proper position after doing above, replace the combination meter unit.

### ENGINE COOLANT TEMPERATURE METER AND INDICATOR

#### ECT sensor inspection (☞ 7-7)

- Remove the front seat. (☞ 8-7)
- Lift and support the fuel tank. (☞ 5-3)
- Disconnect the ECT sensor coupler ①.

#### CAUTION

**When connecting and disconnecting the engine coolant temperature sensor lead wire coupler, make sure to turn OFF the ignition switch, or electronic parts may get damaged.**

- Connect the variable resistor ① between the terminals.
- Disconnect the oil pressure switch lead wire from the oil pressure switch.

#### NOTE:

Leave the oil pressure switch lead wire open.

- Turn the ignition switch ON.
- Check the LCD and LED operations when the resistance is adjusted to the specified values.

Resistance ①	LED ②	LCD ③	LCD ④	Water temperature
2.45 kΩ and more	OFF	“---”	—	19 °C and below
Approx. 0.318 kΩ	OFF	“80”	—	Approx. 80 °C
0.1108 kΩ and less	ON	“120” – “139”	Flicker	120 – 139 °C
0 Ω (Jumper wire)	ON	“HI”	Flicker	140 °C and over

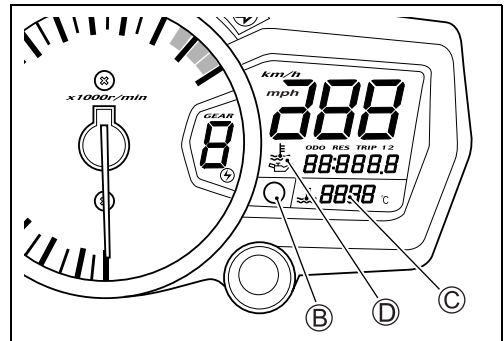
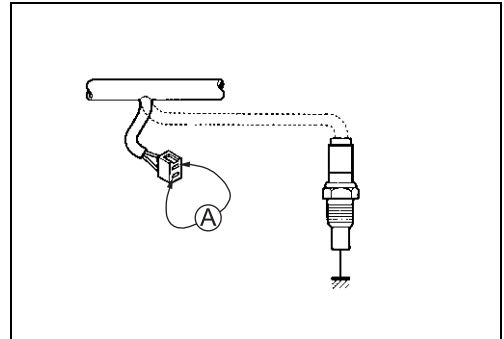
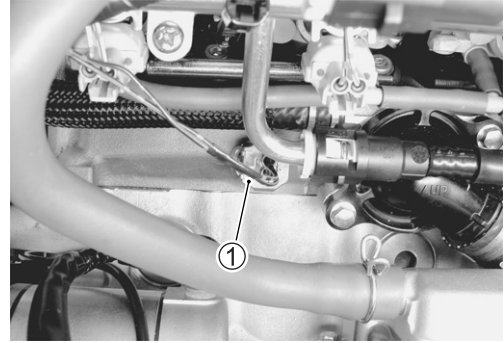
If either one or all indications are abnormal, replace the combination meter with a new one.

#### NOTE:

If the engine stop switch is turned OFF or side-stand/ignition inter-lock system is not working while the ignition switch is ON, the LCD displays “CHEC”. But it is not a malfunction.

This condition implies that combination meter receives no signal from the ECM.

In that case, they are restored to normal indication by turning the engine stop switch to RUN position.



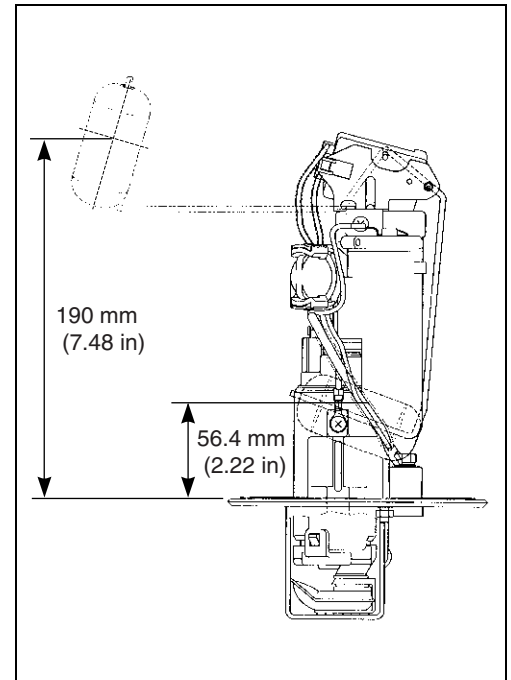
**FUEL LEVEL GAUGE INSPECTION**

- Remove the fuel pump assembly. (☞ 5-9)
- Measure the resistance at each fuel level gauge float position.  
If the resistance is incorrect, replace the fuel level gauge with a new one.

Float position	Resistance
190 mm (7.48 in)	$182 \pm 3 \Omega$
56.4 mm (2.22 in)	$4 \pm 1 \Omega$

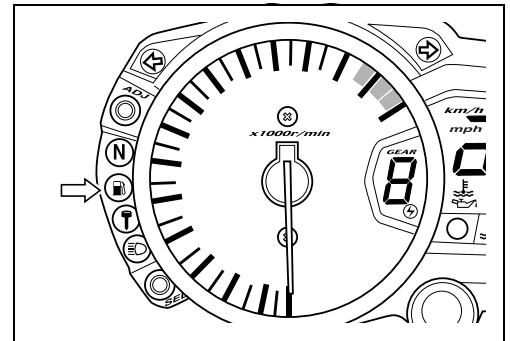
**TOOL** 09900-25008: Multi-circuit tester set

**Tester knob indication: Resistance ( $\Omega$ )**

**FUEL LEVEL INDICATOR LIGHT INSPECTION**

If the fuel level indicator light does not function properly, check the fuel level gauge and its lead wire/coupler.

If the fuel level gauge and its lead wire/coupler are functioning properly, replace the combination meter with a new one.





**SPEEDOMETER**

If the speedometer, odometer or trip meter does not function properly, inspect the speedometer sensor and connection of couplers. If the speed sensor and connection are functioning properly, replace the meter with a new one.

**SPEED SENSOR**

- Remove the front seat. (☞ 8-7)
- Lift and support the fuel tank. (☞ 5-3)
- Disconnect speed sensor coupler ①.
- Remove the speed sensor ② by removing its mounting bolt.
- Connect 12 V battery, 10 kΩ resistor and the multi-circuit tester as shown in the right illustration.

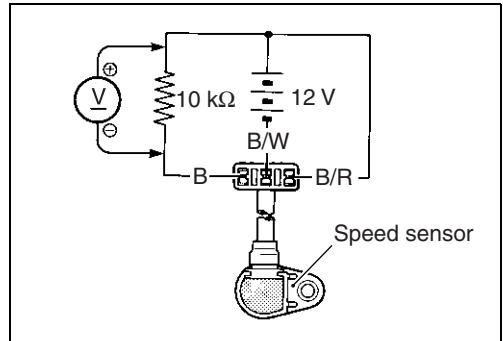
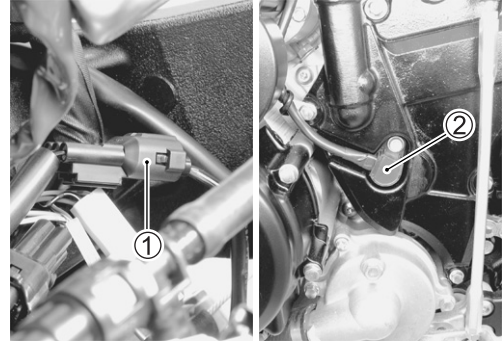
**B/R : Black with Red tracer**

**B/W : Black with White tracer**

**B : Black**

 **09900-25008: Multi-circuit tester set**

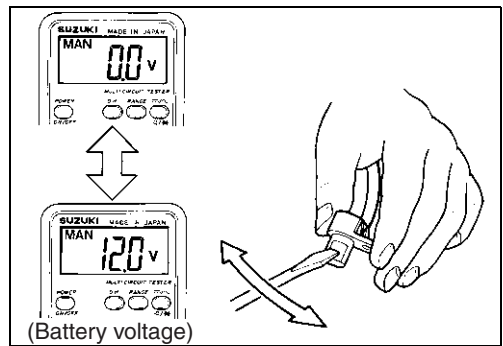
 **Tester knob indication: Voltage (---)**



- Under above condition, if a suitable screwdriver touching the pick-up surface of the speed sensor is moved, the tester reading voltage changes (0 V → 12 V or 12 V → 0 V). If the tester reading voltage does not change, replace the speedometer sensor with a new one.

**NOTE:**

The highest voltage reading in this test will be the same as that of battery (12 V).



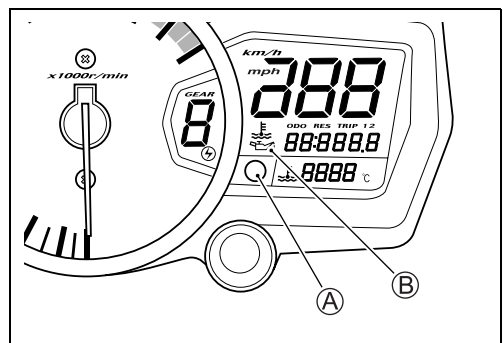
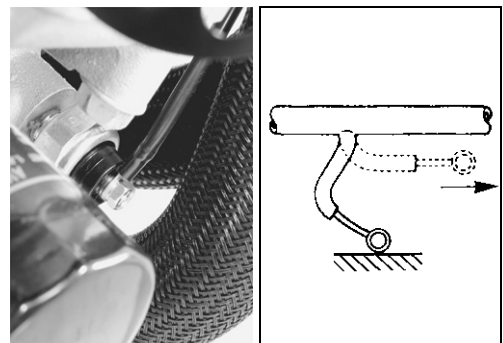
**OIL PRESSURE INDICATOR**

**NOTE:**

Before inspecting the oil pressure switch, check if the engine oil level is correct. (☞ 2-12)

- Remove the left under cowling. (☞ 8-5)
- Disconnect the oil pressure switch lead wire from the oil pressure switch.
- Turn the ignition switch ON.
- Check if the oil pressure indicator ① will light and LCD ② will flicker, when grounding the lead wire.

If any indications are abnormal, replace the combination meter with a new one after checking connection of couplers.



## LAMPS

### HEADLIGHT, BRAKE LIGHT/TAILLIGHT, LICENSE PLATE LIGHT AND TURN SIGNAL LIGHT

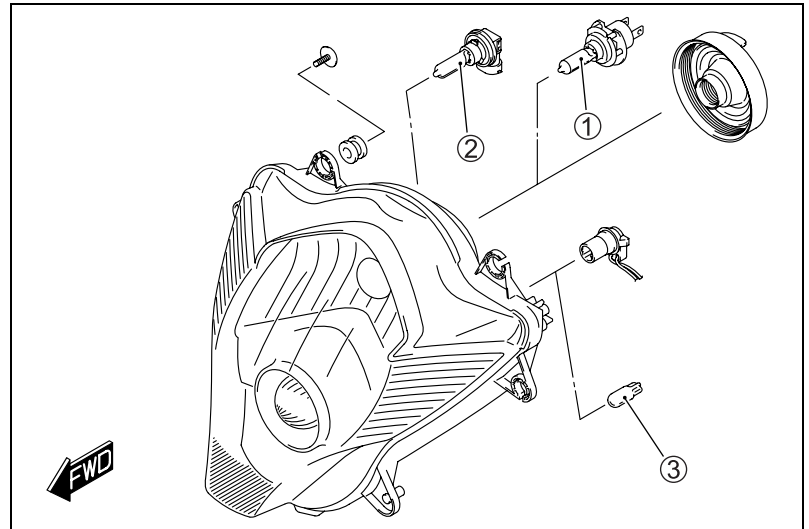
#### HEADLIGHT

12 V 55 W H7 ①

12 V 65 W H9 ②

#### POSITION LIGHT ③

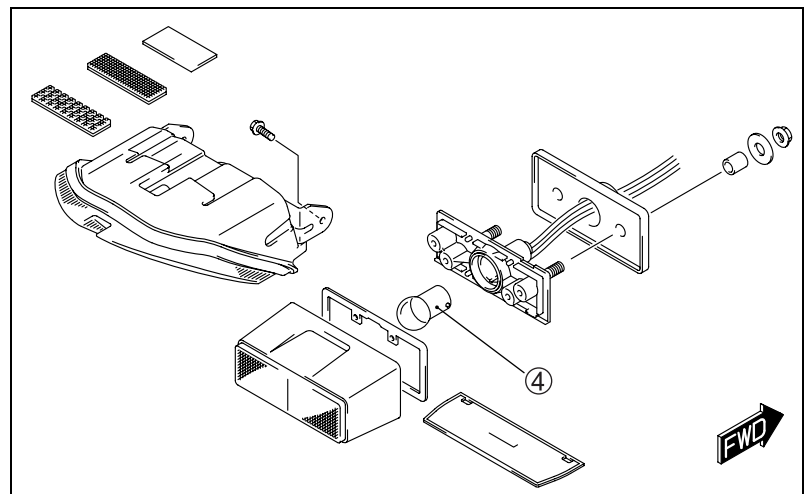
12 V 5 W × 2



#### BRAKE LIGHT/TAILLIGHT: LED

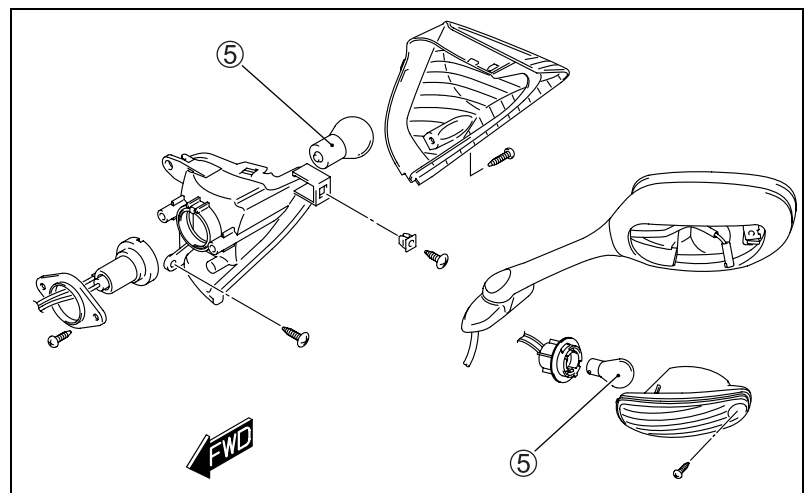
#### LICENCE PLATE LIGHT ④

12 V 5 W



#### TURN SIGNAL LIGHT ⑤

12 V 21 W × 4



#### CAUTION

If you have touched and the bulb with your bare hands, clean it with a cloth moistened with alcohol or soapy water to maintain lens clarity.

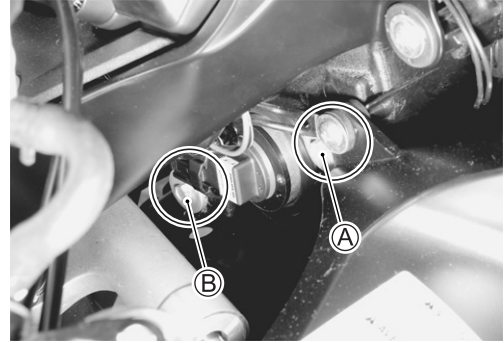
### HEADLIGHT BEAM ADJUSTMENT

- Adjust the headlight beam.

**NOTE:**

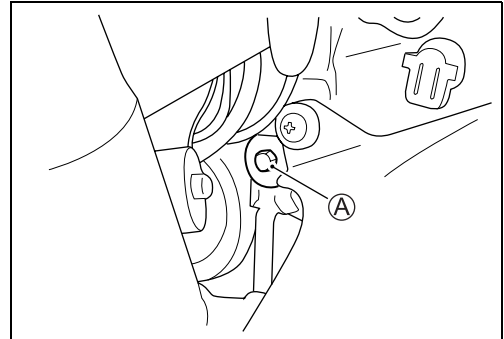
- \* Use a screw driver  $\oplus$  for adjuster **A** and **B**.
- \* To adjust the headlight beam, adjust the beam horizontally first, then adjust vertically.

- A**: Horizontal adjuster
- B**: Vertical adjuster



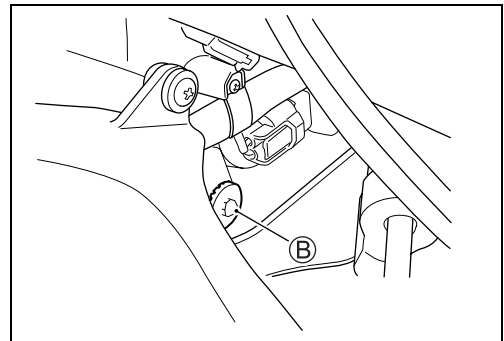
#### To adjust the beam horizontally:

- Turn the adjuster **A** clockwise or counterclockwise.



#### To adjust the beam vertically:

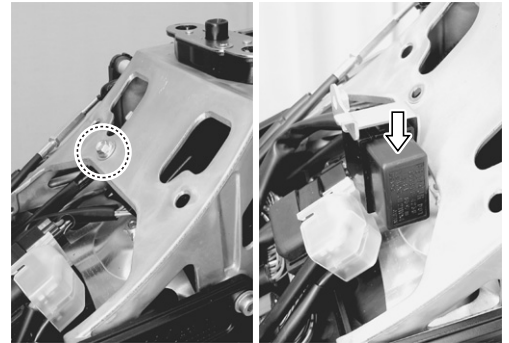
- Turn the adjuster **B** clockwise or counterclockwise.



## RELAYS

### TURN SIGNAL/SIDE-STAND RELAY

The turn signal/side-stand relay is composed of the turn signal relay, side-stand relay and diode.



#### INSPECTION

Before removing the turn signal/side-stand relay, check the operation of the turn signal light.

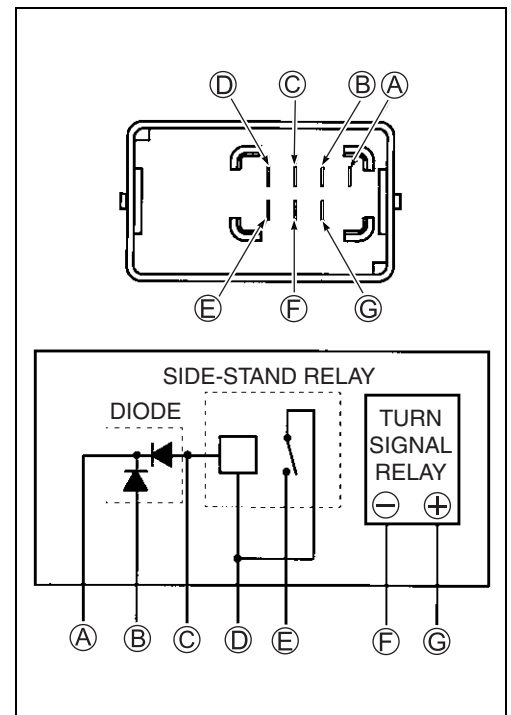
If the turn signal light does not illuminate, inspect the bulb, turn signal switch and circuit connection.

If the bulb, turn signal switch and circuit connection are OK, the turn signal relay may be faulty. In this case, replace the turn signal/side-stand relay with a new one.

#### NOTE:

\* Make sure that the battery is fully charged.

\* Refer to the page 9-x for the side-stand relay and diode inspection.



### STARTER RELAY

👉 9-16

### FUEL PUMP RELAY

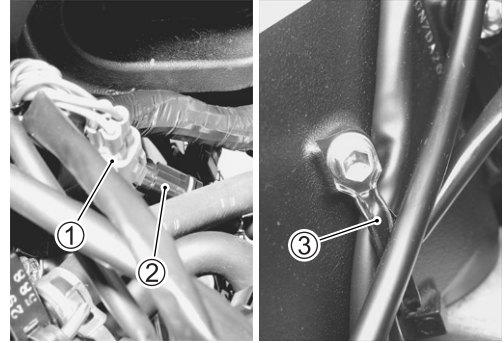
👉 5-7

### COOLING FAN RELAY

👉 7-7

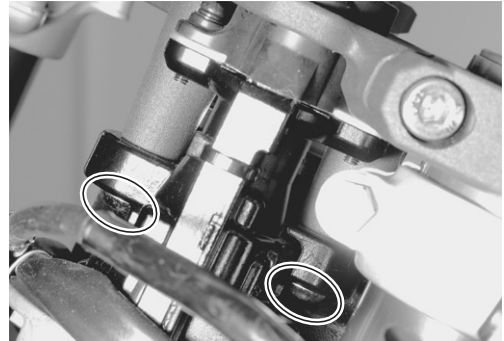
## IGNITION SWITCH REMOVAL

- Remove the air cleaner box. (☞ 5-14)
- Disconnect the ignition switch lead wire coupler (Green) ①.
- Disconnect the immobilizer lead wire coupler (Black) ②.  
(For E-02, 19, 24)
- Remove the cable guide ③.



- Remove the ignition switch mounting bolts with the special tools.

**TOOL** 09930-11920: Torx bit JT40H  
09930-11940: Bit holder



## IGNITION SWITCH INSTALLATION

Install the ignition switch in the reverse order of removal.

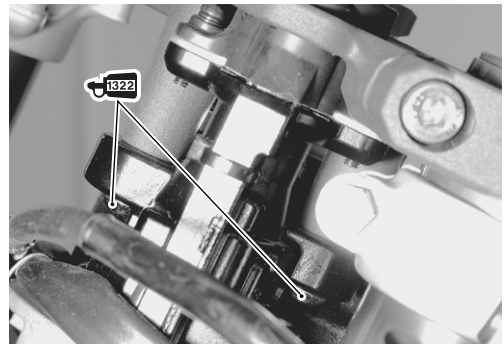
Pay attention to the following points:

- Apply thread lock to the ignition switch bolts.

### CAUTION

When reusing the ignition switch bolt, clean thread and apply the **THREAD LOCK**.

**1322** 99000-32110: THREAD LOCK SUPER "1322"  
(or equivalent thread lock)



## SWITCHES INSPECTION

Inspect each switch for continuity with a tester. If any abnormality is found, replace the respective switch assemblies with new ones.

### HAZARD SWITCH

Color Position	B	Lbl	Lg
• (OFF)			
△ (ON)	○	○	○

### IGNITION SWITCH (For E-02, 19, 24)

Color Position	R	O	Gr	Br
ON	○	○	○	○
OFF				
LOCK				
P	○			○

### IGNITION SWITCH (For E-03, 28, 33)

Color Position	R	O	O/Y	Gr	Br
ON	○	○	○	○	○
OFF					
LOCK					
P	○				○

### DIMMER SWITCH

Color Position	W	Y	O
HI (☉)		○	○
LO (☾)	○		○

### TURN SIGNAL SWITCH

Color Position	Lg	Lbl	B
L		○	○
PUSH			
R	○	○	

### PASSING LIGHT SWITCH

Color Position	O	Y
•		
PUSH	○	○

### ENGINE STOP SWITCH

Color Position	O/B	O/W
OFF (⊗)		
RUN (⊙)	○	○

### STARTER BUTTON

Color Position	O/W	Y/G	O/R	Y/W
•			○	○
PUSH	○	○		

### HORN BUTTON

Color Position	B/Bl	B/W
•		
PUSH	○	○

### FRONT BRAKE SWITCH

Color Position	B/R	B/Bl
OFF		
ON	○	○

### REAR BRAKE SWITCH

Color Position	O	W/B
OFF		
ON	○	○

### CLUTCH SWITCH

Color Position	B/W	B/Y
OFF		
ON	○	○

### OIL PRESSURE SWITCH

Color Position	G/Y	Ground
ON (engine is at stop)	○	○
OFF (engine is running)		

#### NOTE:

Before inspecting the oil pressure switch, check if the engine oil level is correct. (☞ 2-12)

### WIRE COLOR

B : Black      Lbl : Light blue      R : Red  
 Br : Brown    Lg : Light green      W : White  
 Gr : Gray      O : Orange              Y : Yellow

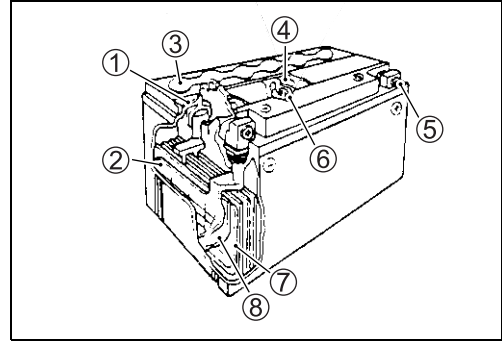
B/Bl : Black with Blue tracer  
 B/R : Black with Red tracer  
 B/W : Black with White tracer  
 B/Y : Black with Yellow tracer  
 G/Y : Green with Yellow tracer  
 O/B : Orange with Black tracer  
 O/R : Orange with Red tracer  
 O/W : Orange with White tracer  
 O/Y : Orange with Yellow tracer  
 W/B : White with Black tracer  
 Y/G : Yellow with Green tracer  
 Y/W : Yellow with White tracer



## BATTERY SPECIFICATIONS

Type designation	FTX9-BS
Capacity	12V,28.8kC (8Ah)/10 HR

- |                        |                                |
|------------------------|--------------------------------|
| ① Upper cover breather | ⑤ Terminal                     |
| ② Cathode plates       | ⑥ Safety valve                 |
| ③ Stopper              | ⑦ Anode plates                 |
| ④ Filter               | ⑧ Separator (Fiberglass plate) |



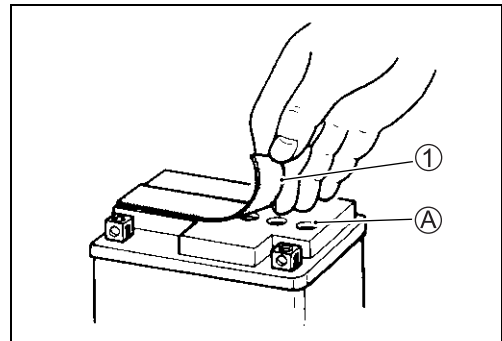
## INITIAL CHARGING

### Filling electrolyte

- Remove the aluminum tape ① sealing the battery electrolyte filler holes (A).

#### NOTE:

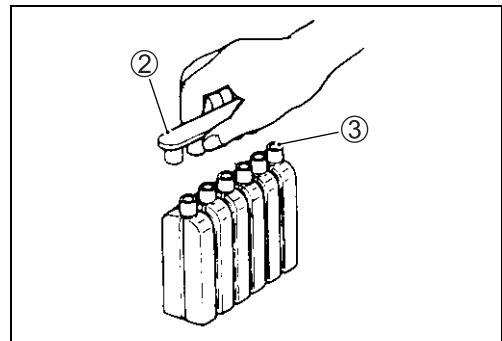
When filling electrolyte, the battery must be removed from the vehicle and must be put on the level ground.



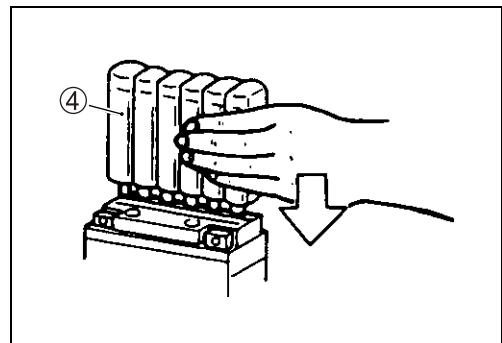
- Remove the caps ②.

#### NOTE:

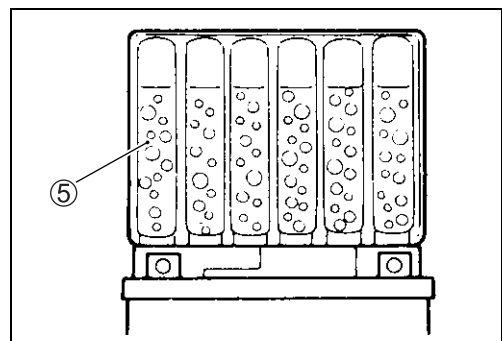
- \* After filling the electrolyte completely, use the removed cap ② as sealing caps of battery-filler holes.
- \* Do not remove or pierce the sealed areas ③ of the electrolyte container.



- Insert the nozzles of the electrolyte container ④ into the battery's electrolyte filler holes, holding the container firmly so that it does not fall. Take precaution not to allow any of the fluid to spill.



- Make sure air bubbles ⑤ are coming up each electrolyte container, and leave in this position for about more than 20 minutes.

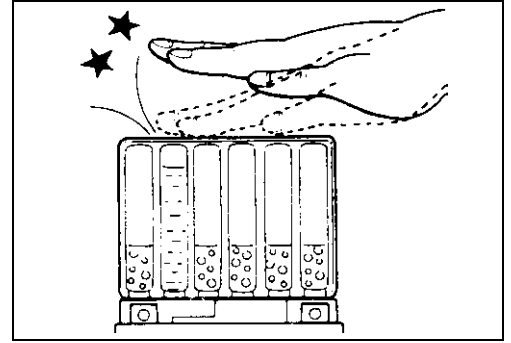


**NOTE:**

If no air bubbles are coming from a filler port, tap the bottom of the electrolyte container two or three times.

Never remove the container from the battery.

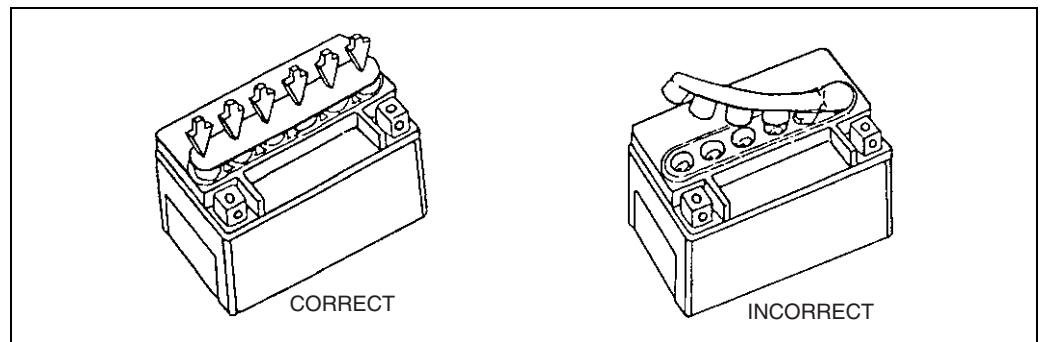
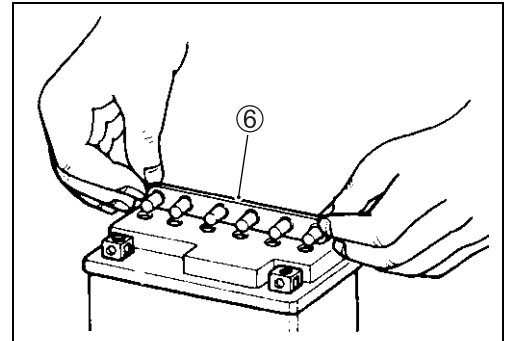
- After confirming that the electrolyte has entered the battery completely, remove the electrolyte containers from the battery. Wait for about 20 minutes.



- Insert the caps ⑥ into the filler holes, pressing in firmly so that the top of the caps do not protrude above the upper surface of the battery's top cover.

**CAUTION**

- \* Never use anything except the specified battery.
- \* Once the caps have been installed to the battery, do not remove the caps.
- \* Do not tap the caps with a tool such as hammer when installing them.



For initial charging, use the charger specially designed for MF battery.

**CAUTION**

- \* For charging the battery, make sure to use the charger specially designed for MF battery. Otherwise, the battery may be overcharged resulting in shortened service life.
- \* Do not remove the cap during charging.
- \* Position the battery with the cap facing upward during charging.

## SERVICING

Visually inspect the surface of the battery container. If any signs of cracking or electrolyte leakage from the sides of the battery have occurred, replace the battery with a new one. If the battery terminals are found to be coated with rust or an acidic white powdery substance, clean the battery terminals with sandpaper.

## RECHARGING OPERATION

- Using the multi circuit tester, check the battery voltage. If the voltage reading is the 12.0 V (DC) and less, recharge the battery with a battery charger.

- Ⓐ Charging period
- Ⓑ Stop charging

### CAUTION

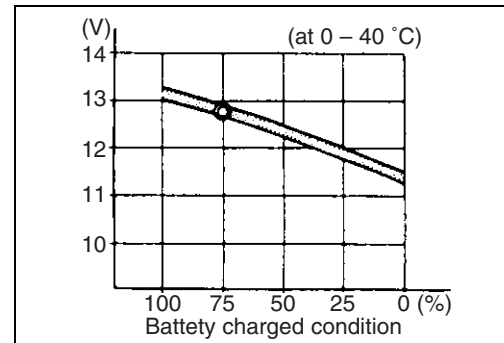
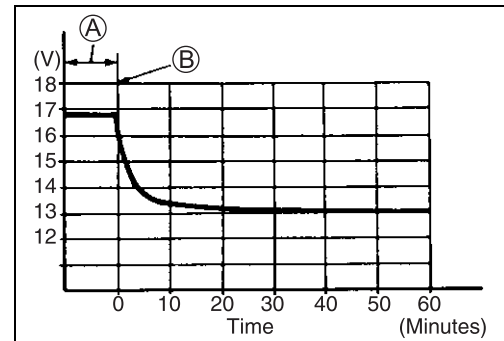
- \* When recharging the battery, remove the battery from the motorcycle.
- \* Do not remove the caps on the battery top while recharging.

Recharging time: 5 A for 1 hour or 1.2 A for 5 to 10 hours

### CAUTION

**Be careful not to permit the charging current to exceed 5 A at any time.**

- After recharging, wait for 30 minutes and more and check the battery voltage with a multi circuit tester.
- If the battery voltage is the 12.5 V and less, recharge the battery again.
- If battery voltage is still 12.5 V and less, after recharging, replace the battery with a new one.
- When the motorcycle is not used for a long period, check the battery every 1 month to prevent the battery discharge.



# SERVICING INFORMATION

## CONTENTS

<b>TROUBLESHOOTING .....</b>	<b>10 -2</b>
<b>FI SYSTEM MALFUNCTION CODE AND DEFECTIVE CONDITION .....</b>	<b>10 -2</b>
<b>ENGINE .....</b>	<b>10- 6</b>
<b>RADIATOR (COOLING SYSTEM) .....</b>	<b>10-12</b>
<b>CHASSIS .....</b>	<b>10-13</b>
<b>BRAKES .....</b>	<b>10-14</b>
<b>ELECTRICAL .....</b>	<b>10-15</b>
<b>BATTERY .....</b>	<b>10-16</b>
<b>WIRING HARNESS, CABLE AND HOSE ROUTING .....</b>	<b>10-17</b>
<b>WIRING HARNESS ROUTING.....</b>	<b>10-17</b>
<b>HO2 SENSOR HARNESS ROUTING (For E-02, 19).....</b>	<b>10-20</b>
<b>CABLE ROUTING .....</b>	<b>10-21</b>
<b>FUEL TANK HOSE ROUTING .....</b>	<b>10-22</b>
<b>COOLING SYSTEM HOSE ROUTING.....</b>	<b>10-23</b>
<b>FRONT BRAKE HOSE ROUTING .....</b>	<b>10-24</b>
<b>REAR BRAKE HOSE ROUTING .....</b>	<b>10-25</b>
<b>FUEL TANK INSTALLATION .....</b>	<b>10-26</b>
<b>COWLING INSTALLATION .....</b>	<b>10-27</b>
<b>FRAME COVER INSTALLATION .....</b>	<b>10-28</b>
<b>SEAT LOCK CABLE ROUTING .....</b>	<b>10-28</b>
<b>REAR FENDER INSTALLATION.....</b>	<b>10-29</b>
<b>SIDE-STAND INSTALLATION.....</b>	<b>10-30</b>
<b>UNDER COWLING CUSHION RUBBER/ HEAT SHIELD INSTALLATION.....</b>	<b>10-30</b>
<b>FRONT FOOTREST INSTALLATION.....</b>	<b>10-31</b>
<b>REAR VIEW MIRROR INSTALLATION.....</b>	<b>10-32</b>
<b>SPECIAL TOOLS .....</b>	<b>10-33</b>
<b>TIGHTENING TORQUE .....</b>	<b>10-37</b>
<b>ENGINE .....</b>	<b>10-37</b>
<b>FI SYSTEM AND INTAKE AIR SYSTEM .....</b>	<b>10-38</b>
<b>COOLING SYSTEM.....</b>	<b>10-38</b>
<b>CHASSIS .....</b>	<b>10-39</b>
<b>TIGHTENING TORQUE CHART .....</b>	<b>10-40</b>
<b>SERVICE DATA .....</b>	<b>10-41</b>

## TROUBLESHOOTING

### FI SYSTEM MALFUNCTION CODE AND DEFECTIVE CONDITION

DTC No.		DETECTED ITEM	DETECTED FAILURE CONDITION	CHECK FOR		
C00		NO FAULT	—————	—————		
C11	P0340	CMP sensor	The signal does not reach ECM for 3 sec. or more, after receiving the starter signal.	CMP sensor wiring and mechanical parts CMP sensor, intake cam pin, wiring/coupler connection		
C12	P0335	CKP sensor	The signal does not reach ECM for 3 sec. or more, after receiving the starter signal.	CKP sensor wiring and mechanical parts CKP sensor, lead wire/coupler connection		
C13	P0105	IAP sensor	The sensor should produce following voltage. $0.5\text{ V} \leq \text{sensor voltage} < 4.85\text{ V}$ In other than the above range, C13 (P0105) is indicated.	IAP sensor, lead wire/coupler connection		
H					Sensor voltage is higher than specified value.	IAP sensor circuit open or shorted to VCC or ground circuit open
L					Sensor voltage is lower than specified value.	IAP sensor circuit shorted to ground or VCC circuit open
C14	P0120	TP sensor	The sensor should produce following voltage. $0.2\text{ V} \leq \text{sensor voltage} < 4.80\text{ V}$ In other than the above range, C14 (P0120) is indicated.	TP sensor, lead wire/coupler connection		
H					Sensor voltage is higher than specified value.	TP sensor circuit shorted to VCC or ground circuit open
L					Sensor voltage is lower than specified value.	TP sensor circuit open or shorted to ground or VCC circuit open
C15	P0115	ECT sensor	The sensor voltage should be the following. $0.15\text{ V} \leq \text{sensor voltage} < 4.85\text{ V}$ In other than the above range, C15 (P0115) is indicated.	ECT sensor, lead wire/coupler connection		
H					Sensor voltage is higher than specified value.	ECT sensor circuit open or ground circuit open
L					Sensor voltage is lower than specified value.	ECT sensor circuit shorted to ground

DTC No.	DETECTED ITEM	DETECTED FAILURE CONDITION	CHECK FOR
C21	IAT sensor	The sensor voltage should be the following. $0.15\text{ V} \leq \text{sensor voltage} < 4.85\text{ V}$ In other than the above range, C21 (P0110) is indicated.	IAT sensor, lead wire/coupler connection
P0110	H	Sensor voltage is higher than specified value.	IAT sensor circuit open or ground circuit open
	L	Sensor voltage is lower than specified value.	IAT sensor circuit shorted to ground
C22	AP sensor	The sensor voltage should be the following. $0.5\text{ V} \leq \text{sensor voltage} < 4.85\text{ V}$ In other than the above range, C22 (P1450) is indicated.	AP sensor, wiring/coupler connection
P1450	H	Sensor voltage is higher than specified value.	AP sensor circuit shorted to VCC or ground circuit open
	L	Sensor voltage is lower than specified value.	AP sensor circuit open or shorted to ground or VCC circuit open
C23	TO sensor	The sensor voltage should be the following for 2 sec. and more, after ignition switch is turned ON. $0.2\text{ V} \leq \text{sensor voltage} < 4.8\text{ V}$ In other than the above value, C23 (P1651) is indicated.	TO sensor, lead wire/coupler connection
P1651	H	Sensor voltage is higher than specified value.	TO sensor circuit shorted to VCC or ground circuit open
	L	Sensor voltage is lower than specified value.	TO sensor circuit open or shorted to ground or VCC circuit open
C24/C25 C26/C27	Ignition signal	CKP sensor (pick-up coil) signal is produced, but signal from ignition coil is interrupted 8 times or more continuously. In this case, the code C24 (P0351), C25 (P0352), C26 (P0353) or C27 (P0354) is indicated.	Ignition coil, wiring/coupler connection, power supply from the battery
P0351/P0352 P0353/P0354			
C28	Secondary throttle valve actuator	When no actuator control signal is supplied from the ECM, communication signal does not reach ECM or operation voltage does not reach STVA motor, C28 (P1655) is indicated.	STVA motor, STVA lead wire/coupler
P1655		STVA can not operate.	



DTC No.		DETECTED ITEM	DETECTED FAILURE CONDITION	CHECK FOR
C29		STP sensor	The sensor should produce following voltage. $0.15 \text{ V} \leq \text{sensor voltage} < 4.85 \text{ V}$ In other than the above range, C29 (P1654) is indicated.	STP sensor, lead wire/coupler connection
P1654	H		Sensor voltage is higher than specified value.	STP sensor circuit shorted to VCC or ground circuit open
	L		Sensor voltage is lower than specified value.	STP sensor circuit open or shorted to ground or VCC circuit open
C31		Gear position signal	Gear position signal voltage should be higher than the following for 3 seconds and more.	GP switch, wiring/coupler connection, gearshift cam, etc.
P0705			Gear position sensor voltage $> 0.6 \text{ V}$ If lower than the above value, C31 (P0705) is indicated.	
C32/C33 C34/C35		Primary fuel injector	CKP sensor (pickup coil) signal is produced, but fuel injector signal is interrupted 4 times or more continuously. In this case, the code C32 (P0201), C33 (P0202), C34 (P0203) or C35 (P0204) is indicated.	Primary fuel injector, wiring/coupler connection, power supply to the injector
P0201/P0202 P0203/P0204				
C36/C37 C38/C39		Secondary fuel injector	Some failure exists in the fuel injector signal in a high load, high revolution condition. In this case, the code C36 (P1764), C37 (P1765), C38 (P1766) or C39 (P1767) is indicated.	Secondary fuel injector, wiring/coupler connection, power supply to the injector
P1764/P1765 P1766/P1767				
C41		Fuel pump relay	No voltage is applied to the fuel pump, although fuel pump relay is turned ON, or voltage is applied to fuel pump although fuel pump relay is turned OFF.	Fuel pump relay, lead wire/coupler connection, power source to fuel pump relay and fuel injectors
P0230	H		Voltage is applied to fuel pump although fuel pump relay is turned OFF.	Fuel pump relay switch circuit shorted to power source. Fuel pump relay (switch side)
	L		No voltage is applied to the fuel pump, although fuel pump relay is turned ON.	Fuel pump relay circuit open or short Fuel pump relay (coil side)
C42		Ignition switch	Ignition switch signal is not input to the ECM. * When the ID agreement is not verified. * ECM does not receive communication signal from the immobilizer antenna.	Ignition switch, lead wire/coupler, etc. * Immobilizer/anti-theft system
P1650				

\* : Immobilizer system is equipped model only.

DTC No.	DETECTED ITEM	DETECTED FAILURE CONDITION	CHECK FOR	
C44	HO2 sensor (For E-02, 19)	HO2 sensor output voltage is not input to ECM during engine operation and running condition. (Sensor voltage < 0.55 V) In other than the above value, C44 (P0130) is indicated.	HO2 sensor circuit open or shorted to ground	
P0130				
C44		The Heater can not operate so that heater operation voltage is not supply to the oxygen heater circuit, C44 (P0135) is indicated.	HO2 sensor lead wire/coupler connection Battery voltage supply to the HO2 sensor	
P0135				
C46	Exhaust control valve actuator	EXCVA position sensor produces following voltage. $0.1\text{ V} \leq \text{sensor voltage} < 4.9\text{ V}$ In other than the above range, C46 (P1675) is indicated. When no actuator control signal is supplied from the ECM, communication signal does not reach ECM or operation voltage does not reach EXCVA motor, C46 (P1658) is indicated. EXCVA can not operate.	EXCVA, EXCVA lead wire/coupler	
P1657		H	EXCVA position sensor voltage is higher than specified value.	EXCVA position sensor circuit shorted to VCC or ground circuit open
		L	EXCVA position sensor voltage is lower than specified value.	EXCVA position sensor circuit open or shorted to ground or VCC circuit open
P1658		When no actuator control signal is supplied from the ECM, communication signal does not reach ECM or operation voltage does not reach EXCVA motor, C46 (P1658) is indicated. EXCVA can not operate.	EXCVA, EXCVA motor lead wire/coupler	
C49	PAIR control solenoid valve	PAIR control solenoid valve voltage is not input to ECM.	PAIR control solenoid valve, lead wire/coupler	
P1656				
C60	Cooling fan relay	Cooling fan relay signal is not input to ECM.	Cooling fan relay, lead wire/coupler connection	
P0480				





Complaint	Symptom and possible causes	Remedy
<b>Noisy engine</b>	<b>Excessive valve chatter</b>	
	1. Too large tappet clearance	Adjust.
	2. Weakened or broken valve springs	Replace.
	3. Worn tappet or cam surface	Replace.
	4. Worn and burnt camshaft journal	Replace.
	<b>Noise seems to come from piston</b>	
	1. Worn down pistons or cylinders	Replace.
	2. Carbon combustion chambers fouled with carbon	Clean.
	3. Worn piston pins or piston pin bore	Replace.
	4. Worn piston rings or ring grooves	Replace.
	<b>Noise seems to come from timing chain</b>	
	1. Stretched chain	Replace.
	2. Worn sprockets	Replace.
3. Tension adjuster not working	Repair or replace.	
<b>Noise seems to come from clutch</b>		
1. Worn splines of countershaft or hub	Replace.	
2. Worn teeth of clutch plates	Replace.	
3. Distorted clutch plates, driven and drive	Replace.	
4. Worn clutch release bearing	Replace.	
5. Weakened clutch dampers	Replace the primary driven gear.	
<b>Noise seems to come from crankshaft</b>		
1. Rattling bearings due to wear	Replace.	
2. Worn and burnt big-end bearings	Replace.	
3. Worn and burnt journal bearings	Replace.	
4. Too large thrust clearance	Replace thrust bearing.	
<b>Noise seems to come from balancer</b>		
1. Worn and burnt journal bearings	Replace.	
<b>Noise seems to come from transmission</b>		
1. Worn or rubbing gears	Replace.	
2. Worn splines	Replace.	
3. Worn or rubbing primary gears	Replace.	
4. Worn bearings	Replace.	
<b>Noise seems to come from water pump</b>		
1. Too much play on pump shaft bearing	Replace.	
2. Worn or damaged impeller shaft	Replace.	
3. Worn or damaged mechanical seal	Replace.	
4. Contact between pump case and impeller	Replace.	





Complaint	Symptom and possible causes	Remedy	
<b>Engine lacks power.</b>	<b>Defective engine internal/electrical parts</b>		
	1. Loss of tappet clearance	Adjust.	
	2. Weakened valve springs	Replace.	
	3. Valve timing out of adjustment	Adjust.	
	4. Worn piston rings or cylinders	Replace.	
	5. Poor seating of valves	Repair.	
	6. Fouled spark plugs	Clean or replace.	
	7. Incorrect spark plugs	Adjust or replace.	
	8. Clogged fuel injectors	Replace.	
	9. Defective secondary fuel injectors	Replace.	
	10. TP sensor out of adjustment	Adjust.	
	11. Clogged air cleaner element	Replace.	
	12. Imbalancing throttle valve synchronization	Adjust.	
	13. Sucking air from throttle valve or vacuum hose	Retighten or replace.	
	14. Too much engine oil	Drain out excess oil.	
	15. Defective fuel pump or ECM	Replace.	
	16. Defective CKP sensor and ignition coils	Replace.	
		<b>Defective control circuit or sensor</b>	
	1. Low fuel pressure	Repair or replace.	
	2. Defective TP sensor	Replace.	
	3. Defective IAT sensor	Replace.	
	4. Defective CMP sensor	Replace.	
	5. Defective CKP sensor	Replace.	
	6. Defective GP sensor	Replace.	
	7. Defective IAP sensor	Replace.	
	8. Defective ECM	Replace.	
	9. Defective AP sensor	Replace.	
10. TP sensor out of adjustment	Adjust.		
11. Defective STP sensor and/or STVA	Replace.		
12. Defective EXCVA	Replace.		

Complaint	Symptom and possible causes	Remedy
<b>Engine overheats</b>	<p><b>Defective engine internal parts</b></p> <ol style="list-style-type: none"> <li>1. Heavy carbon deposit on piston crowns</li> <li>2. Not enough oil in the engine</li> <li>3. Defective oil pump or clogged oil circuit</li> <li>4. Sucking air from intake pipes</li> <li>5. Use incorrect engine oil</li> <li>6. Defective cooling system</li> </ol> <p><b>Lean fuel/air mixture</b></p> <ol style="list-style-type: none"> <li>1. Short-circuited IAP sensor/lead wire</li> <li>2. Short-circuited IAT sensor/lead wire</li> <li>3. Sucking air from intake pipe joint</li> <li>4. Defective fuel injectors</li> <li>5. Defective ECT sensor</li> </ol> <p><b>Other factors</b></p> <ol style="list-style-type: none"> <li>1. Ignition timing is too advanced due to defective timing advance system (ECT sensor, GP sensor, CKP sensor and ECM).</li> <li>2. Drive chain is too tight.</li> </ol>	<p>Clean. Add oil. Replace or clean. Retighten or replace. Change. See radiator section.</p> <p>Repair or replace. Repair or replace. Repair or replace. Replace. Replace.</p> <p>Replace.</p> <p>Adjust.</p>
<b>Dirty or heavy exhaust smoke</b>	<ol style="list-style-type: none"> <li>1. Too much engine oil in the engine</li> <li>2. Worn piston rings or cylinders</li> <li>3. Worn valve guides</li> <li>4. Scored or scuffed cylinder walls</li> <li>5. Worn valves stems</li> <li>6. Defective stem seal</li> <li>7. Worn oil ring side rails</li> </ol>	<p>Check with inspection window, drain out excess oil.</p> <p>Replace. Replace. Replace. Replace. Replace. Replace.</p>
<b>Slipping clutch</b>	<ol style="list-style-type: none"> <li>1. Weakened clutch springs</li> <li>2. Worn or distorted pressure plates</li> <li>3. Distorted clutch plates or pressure plates</li> </ol>	<p>Replace. Replace. Replace.</p>
<b>Dragging clutch</b>	<ol style="list-style-type: none"> <li>1. Some clutch spring weakened while others are not.</li> <li>2. Distorted pressure plates or clutch plates</li> </ol>	<p>Replace. Replace.</p>
<b>Transmission will not shift.</b>	<ol style="list-style-type: none"> <li>1. Broken gearshift cam</li> <li>2. Distorted gearshift forks</li> <li>3. Worn gearshift pawl</li> </ol>	<p>Replace. Replace. Replace.</p>
<b>Transmission will not shift back.</b>	<ol style="list-style-type: none"> <li>1. Broken return spring on shift shaft</li> <li>2. Rubbing or stickily shift shaft</li> <li>3. Distorted or worn gearshift forks</li> </ol>	<p>Replace. Repair or replace. Replace.</p>
<b>Transmission jumps out of gear.</b>	<ol style="list-style-type: none"> <li>1. Worn shifting gears on driveshaft or countershaft</li> <li>2. Distorted or worn gearshift forks</li> <li>3. Weakened stopper spring on gearshift stopper</li> <li>4. Worn gearshift cam plate</li> </ol>	<p>Replace.</p> <p>Replace. Replace. Replace.</p>

**RADIATOR (COOLING SYSTEM)**

<b>Complaint</b>	<b>Symptom and possible causes</b>	<b>Remedy</b>
<b>Engine overheats</b>	<ol style="list-style-type: none"> <li>1. Not enough engine coolant</li> <li>2. Radiator core clogged with dirt or scale</li> <li>3. Faulty cooling fan</li> <li>4. Defective cooling fan relay, or open- or short-circuited</li> <li>5. Defective ECM</li> <li>6. Defective ECT sensor</li> <li>7. Clogged water passage</li> <li>8. Air trapped in the cooling circuit</li> <li>9. Defective water pump</li> <li>10. Use incorrect coolant</li> <li>11. Defective thermostat</li> </ol>	<p>Add coolant.</p> <p>Clean.</p> <p>Repair or replace.</p> <p>Repair or replace.</p> <p>Replace.</p> <p>Replace.</p> <p>Clean.</p> <p>Bleed air.</p> <p>Replace.</p> <p>Replace.</p> <p>Replace.</p>
<b>Engine overcools</b>	<ol style="list-style-type: none"> <li>1. Defective ECT sensor</li> <li>2. Extremely cold weather</li> <li>3. Defective thermostat</li> <li>4. Defective cooling fan relay, or open- or short-circuited</li> <li>5. Defective ECM</li> </ol>	<p>Replace.</p> <p>Put on the radiator cover.</p> <p>Replace.</p> <p>Repair or replace.</p> <p>Replace.</p>

## CHASSIS

Complaint	Symptom and possible causes	Remedy
<b>Heavy steering</b>	<ol style="list-style-type: none"> <li>1. Overtightened steering stem nut</li> <li>2. Broken bearing in steering stem</li> <li>3. Distorted steering stem</li> <li>4. Not enough pressure in tires</li> </ol>	Adjust. Replace. Replace. Adjust.
<b>Wobbly handlebars</b>	<ol style="list-style-type: none"> <li>1. Loss of balance between right and left front forks</li> <li>2. Distorted front fork</li> <li>3. Distorted front axle or crooked tire</li> <li>4. Loose steering stem nut</li> <li>5. Worn or incorrect tire or wrong tire pressure</li> <li>6. Worn bearing/race in steering stem</li> </ol>	Adjust. Repair or replace. Replace. Adjust. Adjust or replace. Replace.
<b>Wobbly front wheel</b>	<ol style="list-style-type: none"> <li>1. Distorted wheel rim</li> <li>2. Worn front wheel bearings</li> <li>3. Defective or incorrect tire</li> <li>4. Loose axle or axle pinch bolt</li> <li>5. Incorrect front fork oil level</li> <li>6. Incorrect front wheel weight balance</li> </ol>	Replace. Replace. Replace. Retighten. Adjust. Adjust.
<b>Front suspension too soft</b>	<ol style="list-style-type: none"> <li>1. Weakened springs</li> <li>2. Not enough fork oil</li> <li>3. Wrong weight fork oil</li> <li>4. Improperly set front fork spring adjuster</li> <li>5. Improperly set front fork damping force adjuster</li> </ol>	Replace. Replenish. Replace. Adjust. Adjust.
<b>Front suspension too stiff</b>	<ol style="list-style-type: none"> <li>1. Too viscous fork oil</li> <li>2. Too much fork oil</li> <li>3. Improperly set front fork spring adjuster</li> <li>4. Improperly set front fork damping force adjuster</li> <li>5. Bent front axle</li> </ol>	Replace. Drain excess oil. Adjust. Adjust. Replace.
<b>Noisy front suspension</b>	<ol style="list-style-type: none"> <li>1. Not enough fork oil</li> <li>2. Loose bolts on suspension</li> </ol>	Replenish. Retighten.
<b>Wobbly rear wheel</b>	<ol style="list-style-type: none"> <li>1. Distorted wheel rim</li> <li>2. Worn rear wheel bearing or swingarm bearings</li> <li>3. Defective or incorrect tire</li> <li>4. Worn swingarm and rear suspension bearings</li> <li>5. Loose nuts or bolts on rear suspensions</li> </ol>	Replace. Replace. Replace. Replace. Retighten.
<b>Rear suspension too soft</b>	<ol style="list-style-type: none"> <li>1. Weakened spring of shock absorber</li> <li>2. Leakage of oil or gas shock absorber</li> <li>3. Improperly set rear spring pre-load adjuster</li> <li>4. Improperly set damping force adjuster</li> </ol>	Replace. Replace. Adjust. Adjust.
<b>Rear suspension too stiff</b>	<ol style="list-style-type: none"> <li>1. Bent shock absorber shaft</li> <li>2. Bent swingarm pivot shaft</li> <li>3. Worn swingarm and rear suspension bearings</li> <li>4. Improperly set rear spring pre-load adjuster</li> <li>5. Improperly set damping force adjuster</li> </ol>	Replace. Replace. Replace. Adjust. Adjust.
<b>Noisy rear suspension</b>	<ol style="list-style-type: none"> <li>1. Loose nuts or bolts on rear suspension</li> <li>2. Worn swingarm and suspension bearings</li> </ol>	Retighten. Replace.

**BRAKES**

<b>Complaint</b>	<b>Symptom and possible causes</b>	<b>Remedy</b>
<b>Insufficient brake power</b>	<ol style="list-style-type: none"> <li>1. Leakage of brake fluid from hydraulic system</li> <li>2. Worn pads</li> <li>3. Oil adhesion of engaging surface of pads/shoe</li> <li>4. Worn disc</li> <li>5. Air in hydraulic system</li> <li>6. Not enough brake fluid in the reservoir</li> </ol>	Repair or replace. Replace. Clean disc and pads. Replace. Bleed air. Replenish.
<b>Brake squeaking</b>	<ol style="list-style-type: none"> <li>1. Carbon adhesion on pad surface</li> <li>2. Tilted pad</li> <li>3. Damaged wheel bearing</li> <li>4. Loosen front wheel axle or rear wheel axle</li> <li>5. Worn pads</li> <li>6. Foreign material in brake fluid</li> <li>7. Clogged return port of master cylinder</li> </ol>	Repair surface with sandpaper. Correct pad fitting or replace. Replace. Tighten to specified torque. Replace. Replace brake fluid. Disassemble and clean master cylinder.
<b>Excessive brake lever stroke</b>	<ol style="list-style-type: none"> <li>1. Air in hydraulic system</li> <li>2. Insufficient brake fluid</li> <li>3. Improper quality of brake fluid</li> </ol>	Bleed air. Replenish fluid to specified level; bleed air. Replace with correct fluid.
<b>Leakage of brake fluid</b>	<ol style="list-style-type: none"> <li>1. Insufficient tightening of connection joints</li> <li>2. Cracked hose</li> <li>3. Worn piston and/or cup</li> </ol>	Tighten to specified torque. Replace. Replace piston and/or cup.
<b>Brake drags</b>	<ol style="list-style-type: none"> <li>1. Rusty part</li> <li>2. Insufficient brake lever or brake pedal pivot lubrication</li> </ol>	Clean and lubricate. Lubricate.

**ELECTRICAL**

<b>Complaint</b>	<b>Symptom and possible causes</b>	<b>Remedy</b>
<b>No sparking or poor sparking</b>	<ol style="list-style-type: none"> <li>1. Defective ignition coils</li> <li>2. Defective spark plugs</li> <li>3. Defective CMP sensor</li> <li>4. Defective CKP sensor</li> <li>5. Defective ECM</li> <li>6. Defective TO sensor</li> <li>7. Open-circuited wiring connections</li> </ol>	Replace. Replace. Replace. Replace. Replace. Replace. Check and repair.
<b>Spark plug soon become fouled with carbon.</b>	<ol style="list-style-type: none"> <li>1. Mixture too rich</li> <li>2. Idling speed set too high</li> <li>3. Incorrect gasoline</li> <li>4. Dirty air cleaner element</li> <li>5. Too cold spark plugs</li> </ol>	Inspect FI system. Adjust fast idle or throttle stop screw. Change. Replace. Replace with hot type plug.
<b>Spark plug become fouled too soon.</b>	<ol style="list-style-type: none"> <li>1. Worn piston rings</li> <li>2. Worn piston or cylinders</li> <li>3. Excessive clearance of valve stems in valve guides</li> <li>4. Worn stem oil seal</li> </ol>	Replace. Replace. Replace. Replace.
<b>Spark plug electrodes overheat or burn</b>	<ol style="list-style-type: none"> <li>1. Too hot spark plugs</li> <li>2. Overheated the engine</li> <li>3. Loose spark plugs</li> <li>4. Too lean mixture</li> </ol>	Replace with cold type plugs. Tune up. Retighten. Inspect FI system.
<b>Generator does not charge.</b>	<ol style="list-style-type: none"> <li>1. Open- or short-circuited lead wires, or loose lead connections</li> <li>2. Short-circuited, grounded or open generator coil</li> <li>3. Short-circuited or punctured regulator/rectifier</li> </ol>	Repair or replace or retighten. Replace. Replace.
<b>Generator does charge, but charging rate is below the specification.</b>	<ol style="list-style-type: none"> <li>1. Lead wires tend to get shorted or open-circuited or loosely connected at terminals.</li> <li>2. Grounded or open-circuited generator coil</li> <li>3. Defective regulator/rectifier</li> <li>4. Defective cell plates in the battery</li> </ol>	Repair or retighten. Replace. Replace. Replace the battery.
<b>Generator over-charges</b>	<ol style="list-style-type: none"> <li>1. Internal short-circuit in the battery</li> <li>2. Damaged or defective regulator/rectifier</li> <li>3. Poorly grounded regulator/rectifier</li> </ol>	Replace the battery. Replace. Clean and tighten ground connection.
<b>Unstable charging</b>	<ol style="list-style-type: none"> <li>1. Lead wire insulation frayed due to vibration, resulting in intermittent short-circuiting.</li> <li>2. Internally shorted generator</li> <li>3. Defective regulator/rectifier</li> </ol>	Repair or replace. Replace. Replace.
<b>Starter button is not effective.</b>	<ol style="list-style-type: none"> <li>1. Run down battery</li> <li>2. Defective switch contacts</li> <li>3. Brushes not seating properly on starter motor commutator</li> <li>4. Defective starter relay/starter interlock switch</li> <li>5. Defective main fuse</li> </ol>	Repair or replace. Replace. Repair or replace. Replace. Replace.

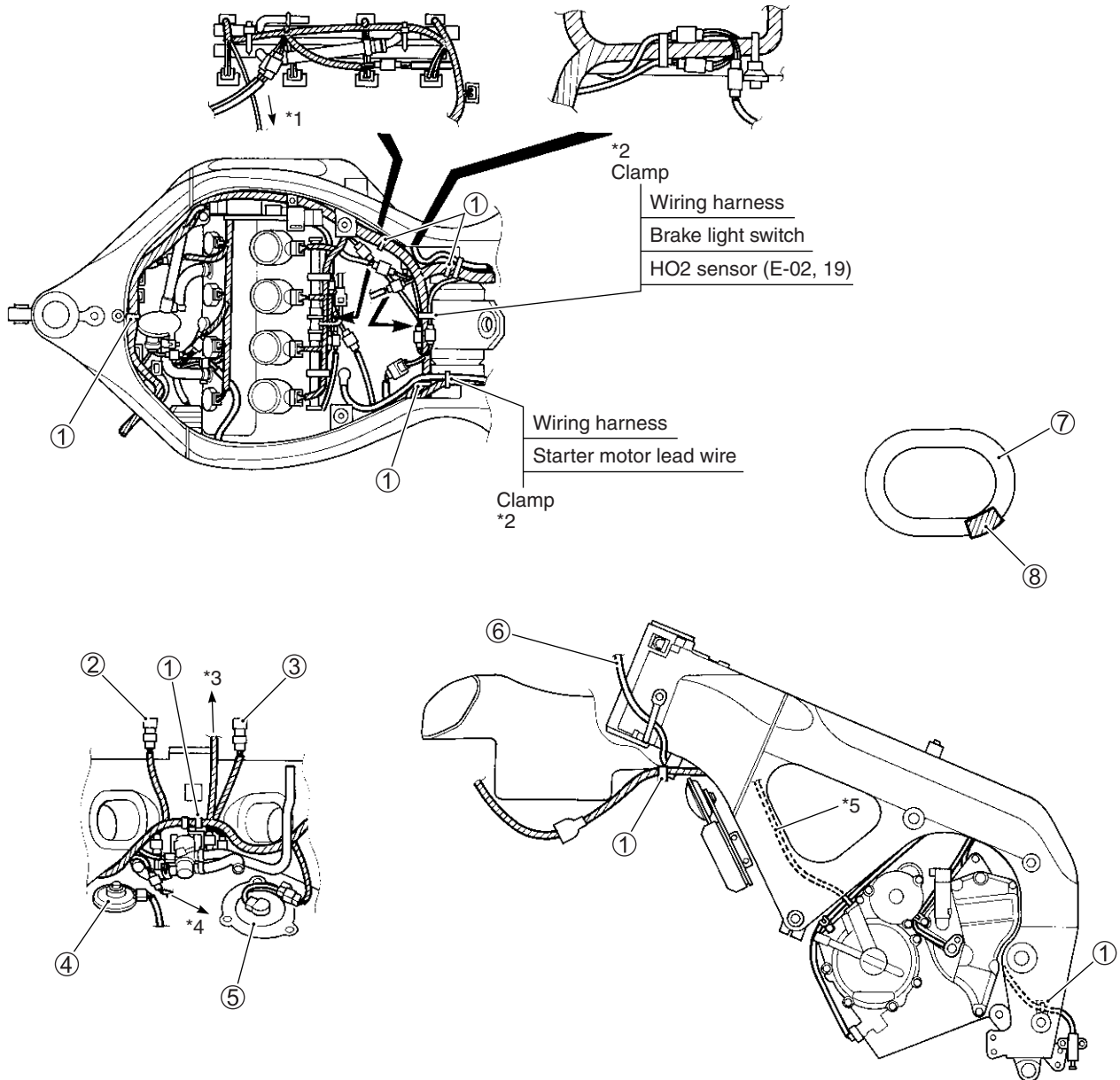


**BATTERY**

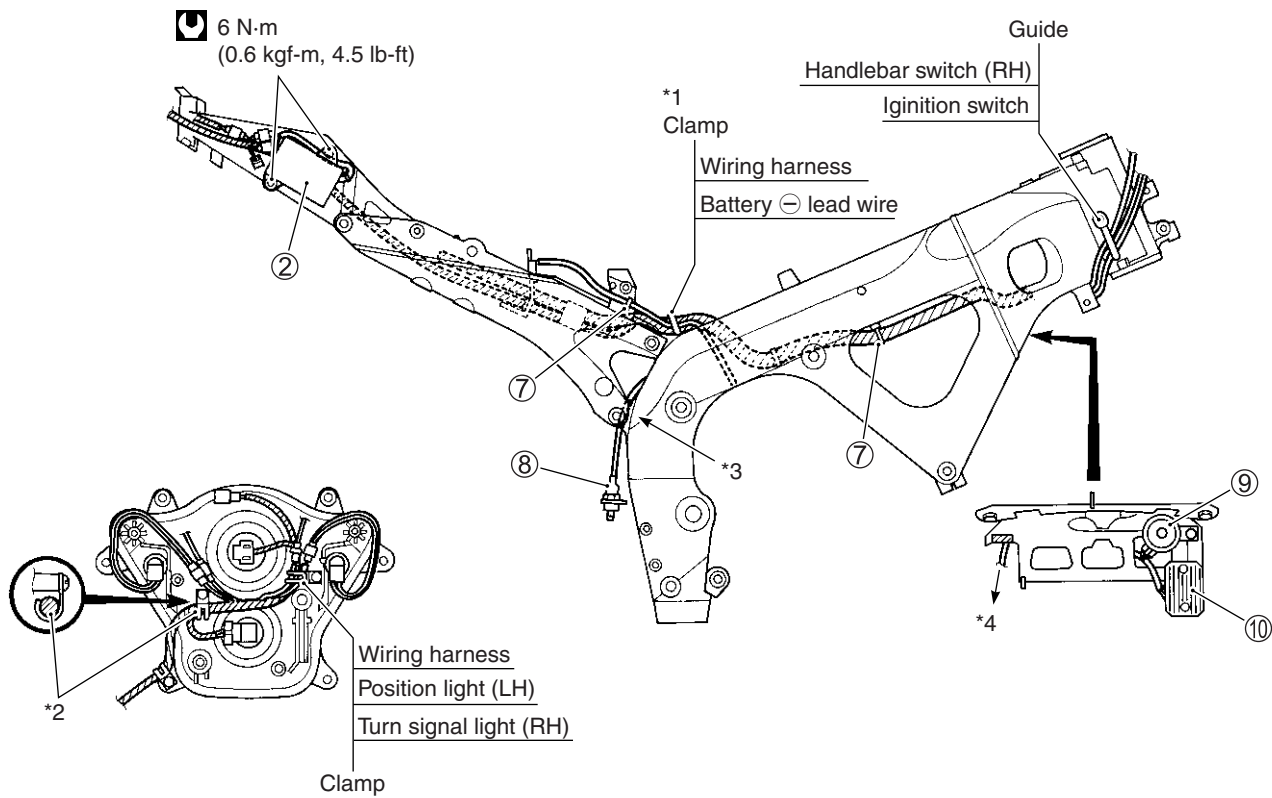
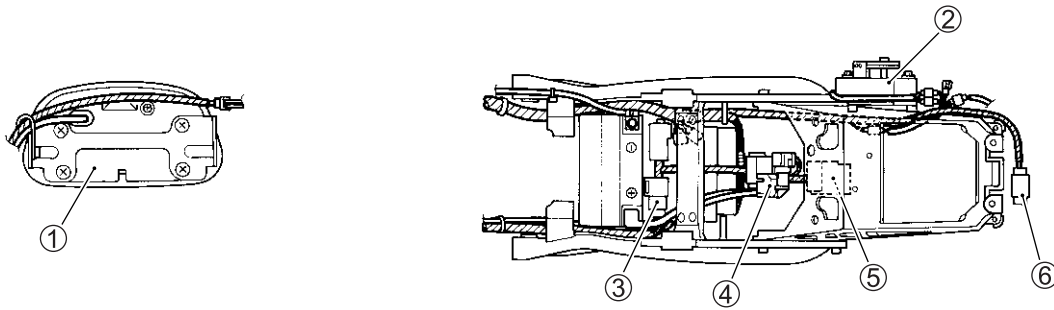
<b>Complaint</b>	<b>Symptom and possible causes</b>	<b>Remedy</b>
<b>“Sulfation”, acidic white powdery substance or spots on surface of cell plates</b>	<ol style="list-style-type: none"> <li>1. Cracked battery case</li> <li>2. Battery has been left in a run-down condition for a long time.</li> </ol>	<p>Replace the battery.</p> <p>Replace the battery.</p>
<b>Battery runs down quickly.</b>	<ol style="list-style-type: none"> <li>1. Trouble in the charging system</li> <li>2. Cell plates have lost much of their active material as a result of overcharging.</li> <li>3. Internal short-circuit in the battery</li> <li>4. Too low battery voltage</li> <li>5. Too old battery</li> </ol>	<p>Check the generator, regulator/rectifier and circuit connections and make necessary adjustments to obtain specified charging operation.</p> <p>Replace the battery and correct the charging system.</p> <p>Replace the battery.</p> <p>Recharge the battery fully.</p> <p>Replace the battery.</p>
<b>Battery “sulfation”</b>	<ol style="list-style-type: none"> <li>1. Incorrect charging rate (When not in use batteries should be checked at least once a month to avoid sulfation.)</li> <li>2. The battery was left unused in a cold climate for too long.</li> </ol>	<p>Replace the battery.</p> <p>Replace the battery if badly sulfated.</p>

# WIRING HARNESS, CABLE AND HOSE ROUTING

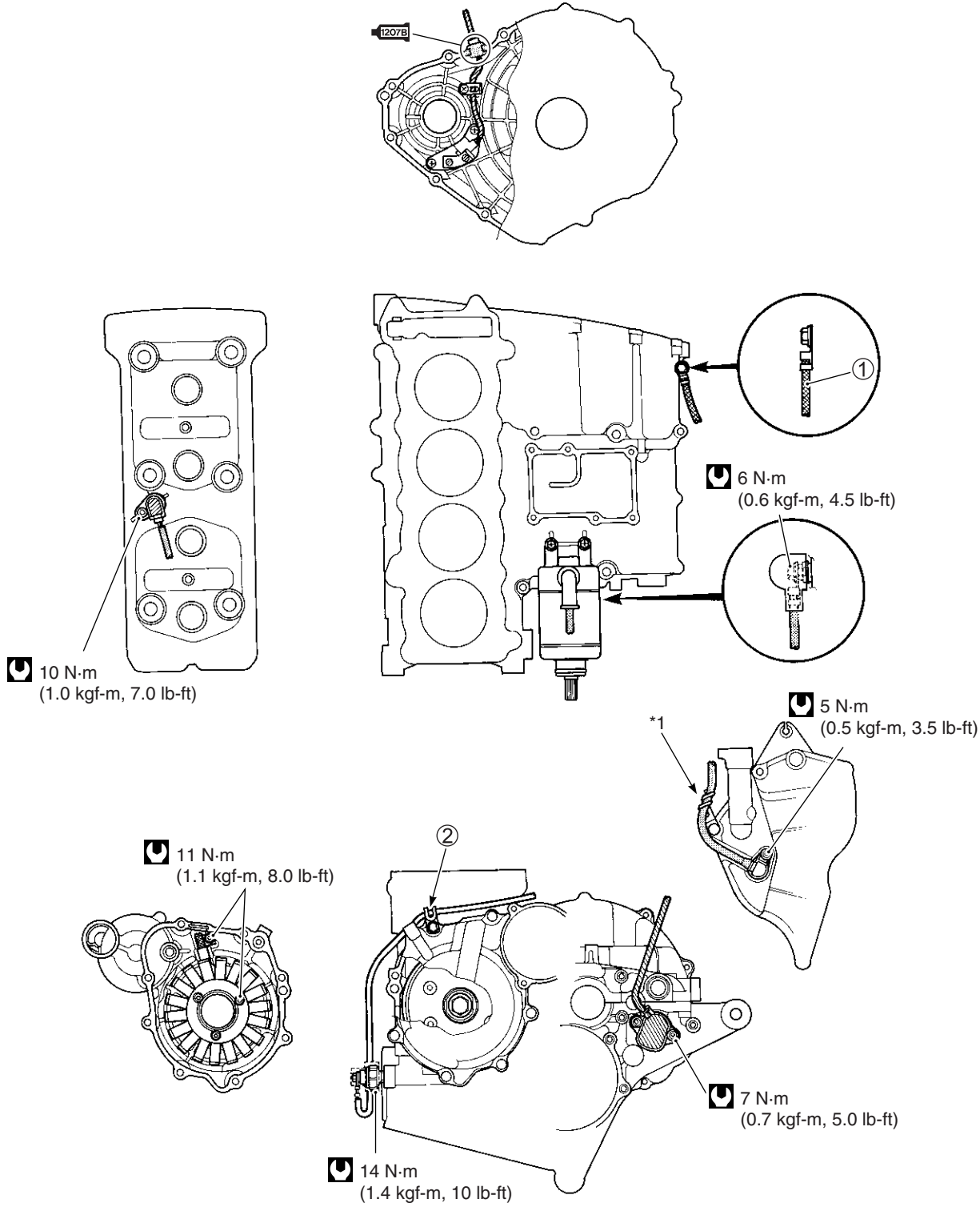
## WIRING HARNESS ROUTING



①	Integrated clamp	⑧	Protector
②	Cooling fan relay	*1	To ECT sensor
③	Fuel pump relay	*2	Cut the tip after clamping.
④	Horn	*3	To IAT sensor
⑤	Cooling fan motor	*4	To CMP sensor
⑥	Left handlebar switch lead wire	*5	Pass the lead wire through behind the frame and set it between the engine and frame.
⑦	Air intake (Frame) right inside		

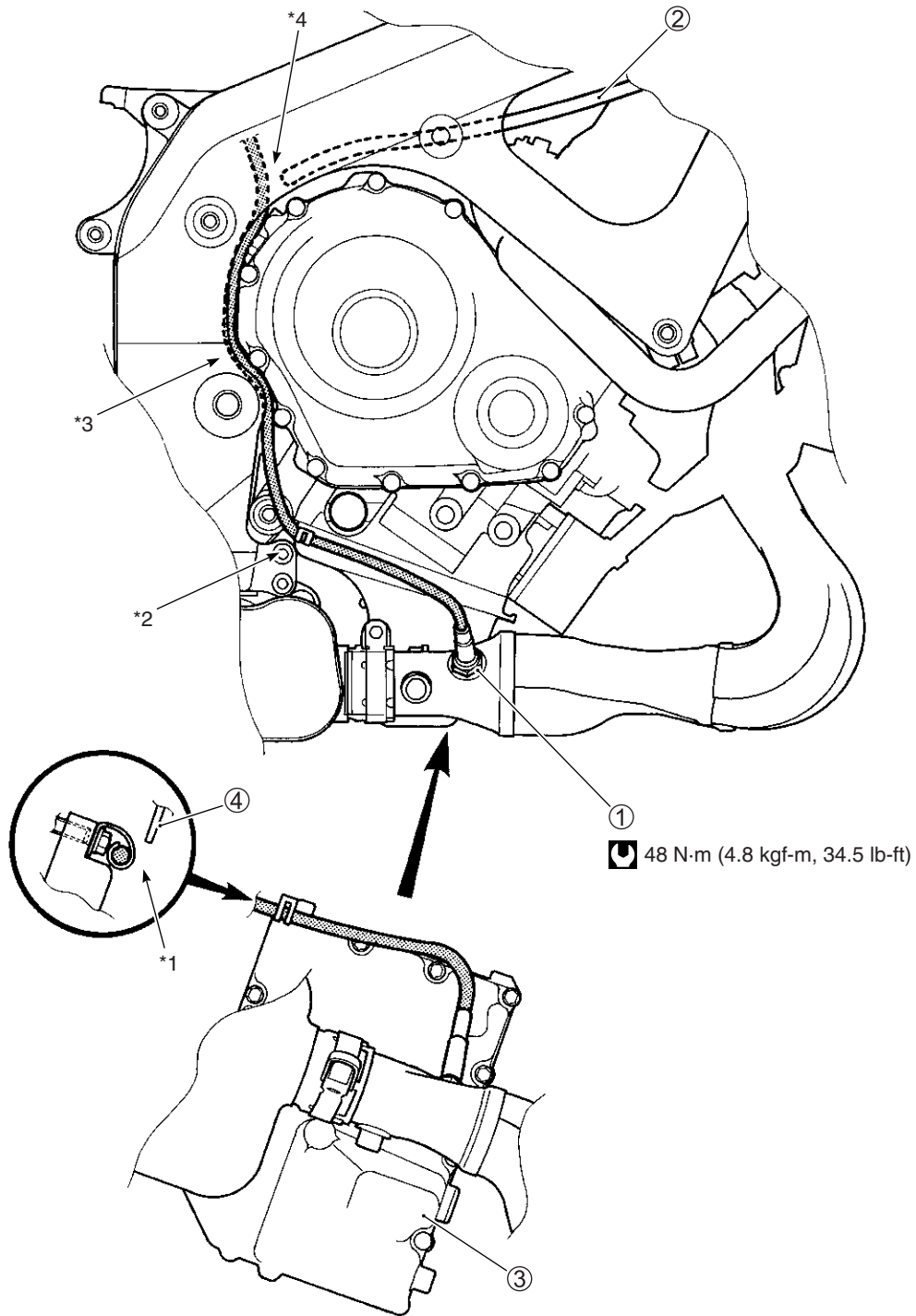


①	Rear combination light	⑧	Brake light switch
②	EXCVA	⑨	Horn
③	AP sensor	⑩	Regulator/rectifier
④	Starter relay	*1	Lock part of the clamp should face inside.
⑤	Turn signal/side-stand relay	*2	White marking.
⑥	TO sensor	*3	Pass the lead wire through under the frame bridge.
⑦	Integrated clamp	*4	To fan motor



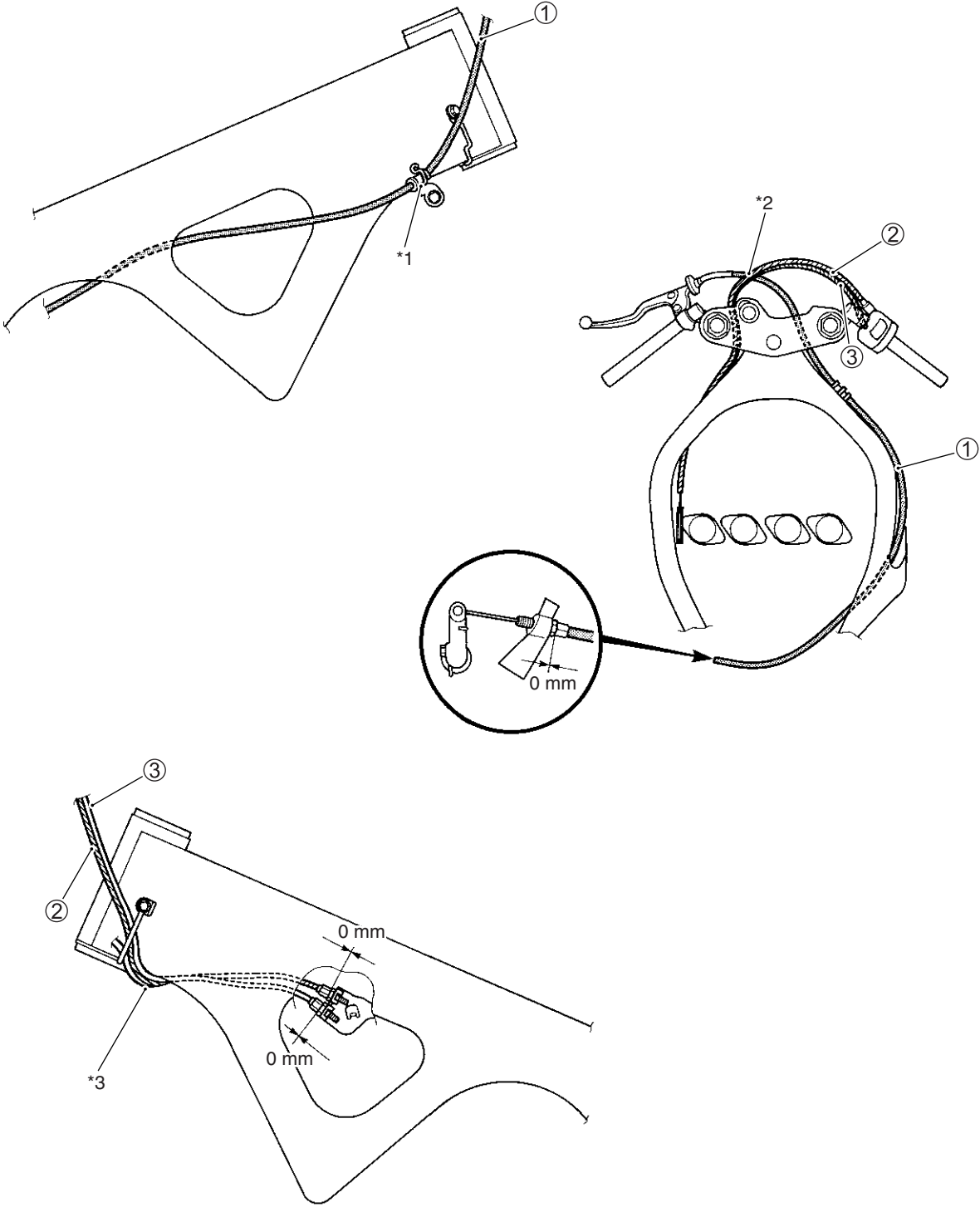
① Battery ⊖ lead wire	*1 Fix the clamp in parallel with the cover surface.
② White tape	

## HO2 SENSOR HARNESS ROUTING (For E-02, 19)



①	HO2 sensor		
②	Clutch cable	*2	Clamp the HO2 sensor lead wire so as not to overlap the oil inspection window.
③	Oil pan		
④	Under cowling	*3	Pass the HO2 sensor lead wire through between the frame and engine.
*1	Clamp the HO2 sensor lead wire so as not to contact with the under cowling.	*4	Pass the HO2 sensor lead wire through behind the clutch cable.

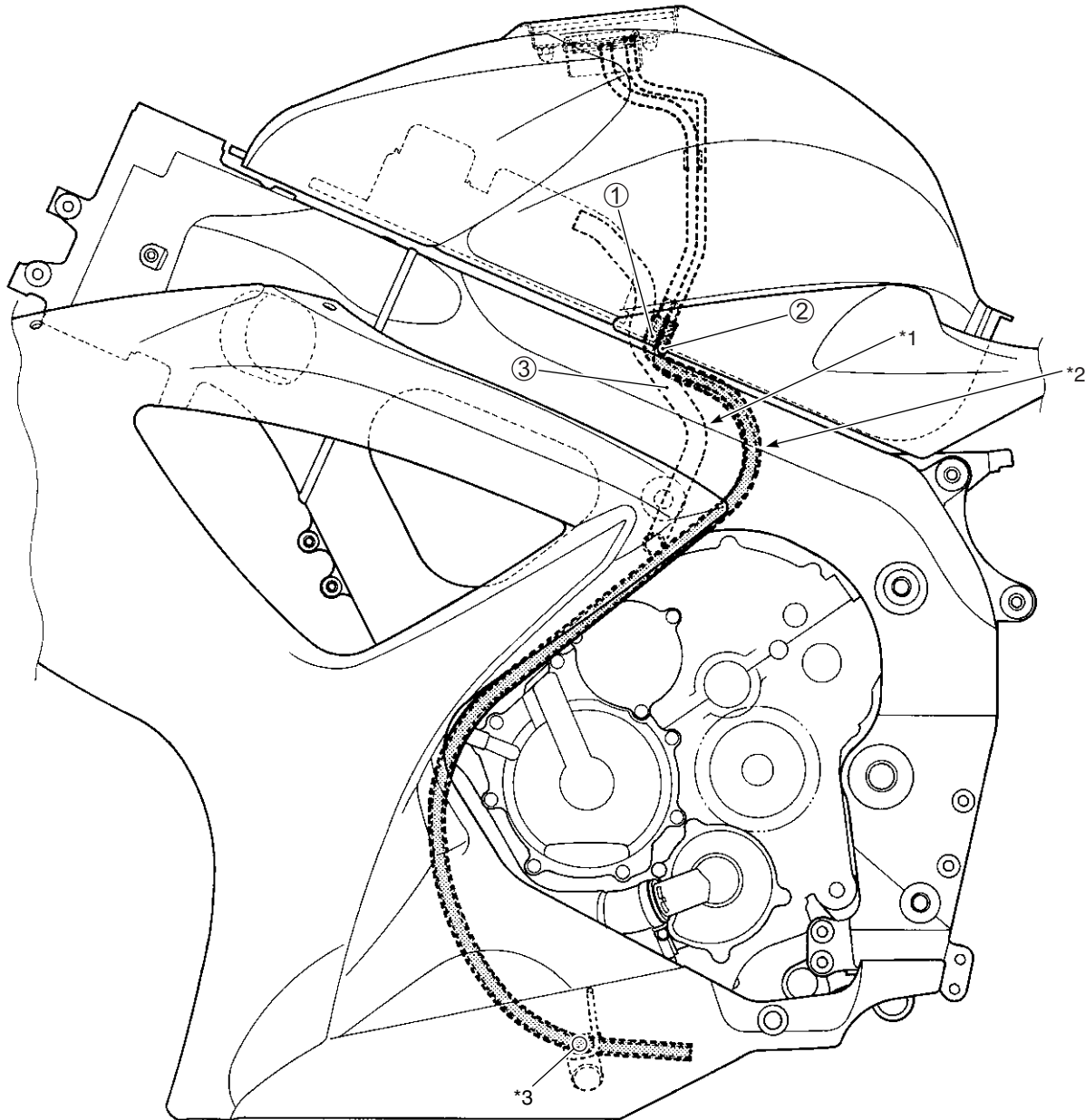
# CABLE ROUTING



①	Clutch cable	*1	Clutch cable must be clamped on the grommet.
②	Throttle cable No.1	*2	Pass the throttle cables above the clutch cable.
③	Throttle cable No.2	*3	Pass the throttle cable No.2 outer from No.1.



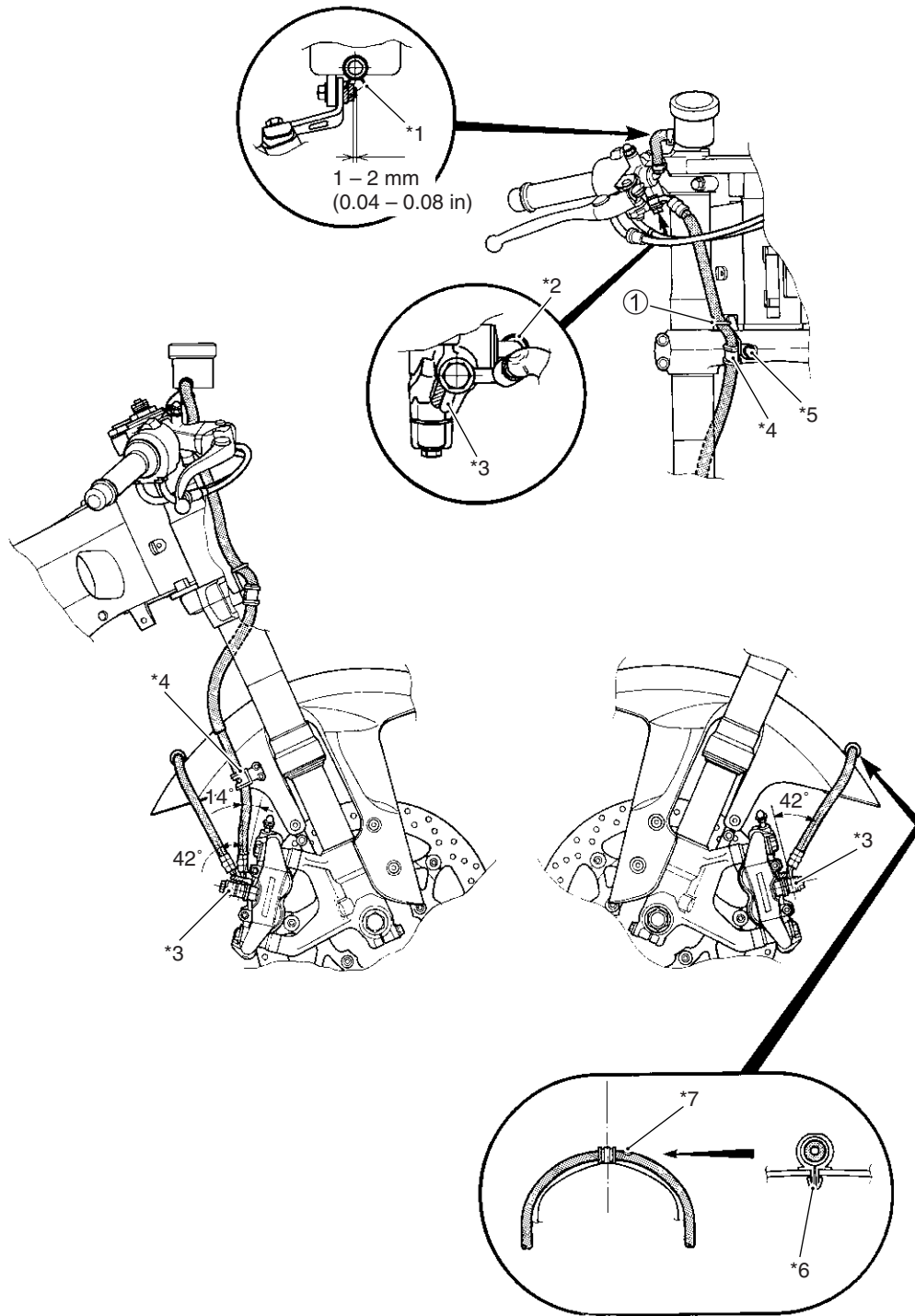
## FUEL TANK HOSE ROUTING



①	Fuel tank water drain hose	*1	Pass the fuel tank drain hose and breather hose through behind the PCV hose.
②	Fuel tank breather hose	*2	Set the fuel tank drain hose and breather hose with lengthwise backward.
③	PCV (breather) hose	*3	White marking

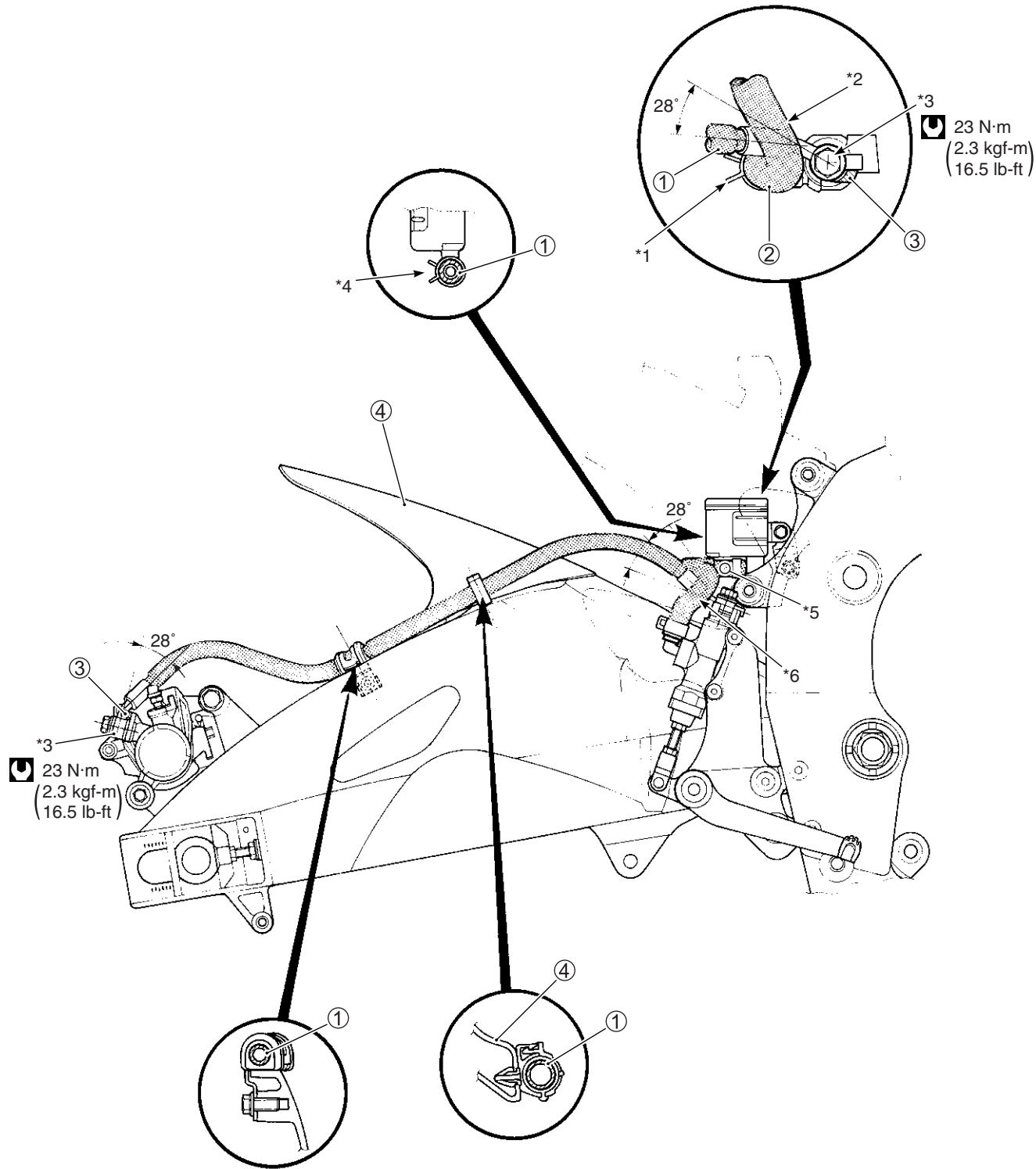


## FRONT BRAKE HOSE ROUTING



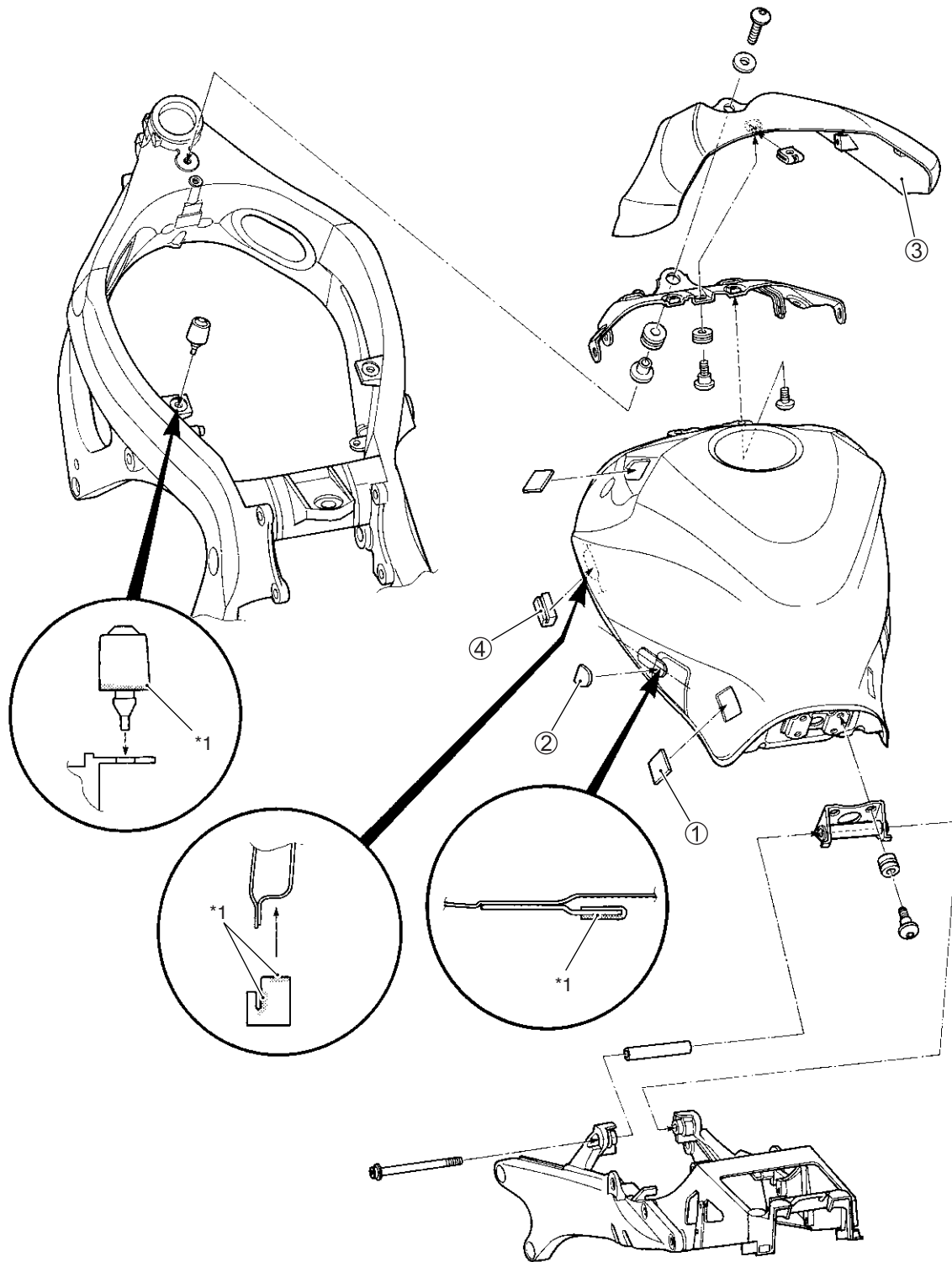
①	Brake hose guide	*4	Clamp the brake hose firmly.
*1	Clamp should face downward.	*5	After positioning the clamp with stopper, tighten the clamp bolt.
*2	Clamp should face backward.	*6	Insert the clamp to the hole of the front fender fully.
*3	After the brake hose union has contacted the stopper, tighten the union bolt.	*7	The green paint is right side and face upside.

REAR BRAKE HOSE ROUTING



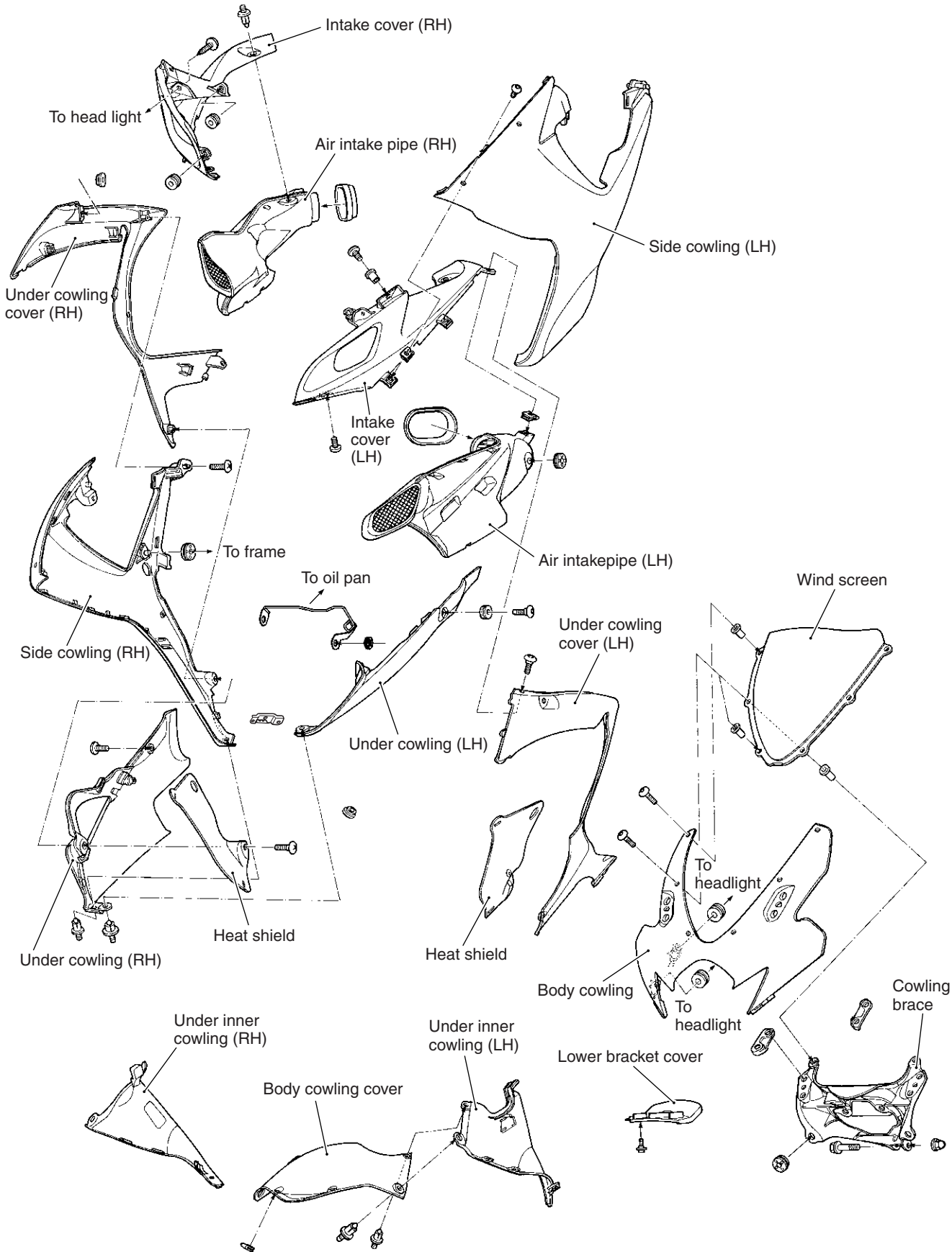
①	Rear brake hose	*2	Pass the reservoir hose above the brake hose.
②	Brake fluid reservoir hose	*3	Position the brake union with the stopper before tightening.
③	Stopper	*4	Face the clamp end inside.
④	Rear lower fender	*5	White marking
*1	Face the clamp end backward.	*6	Insert the reservoir hose into the hose connector to the root.

## FUEL TANK INSTALLATION



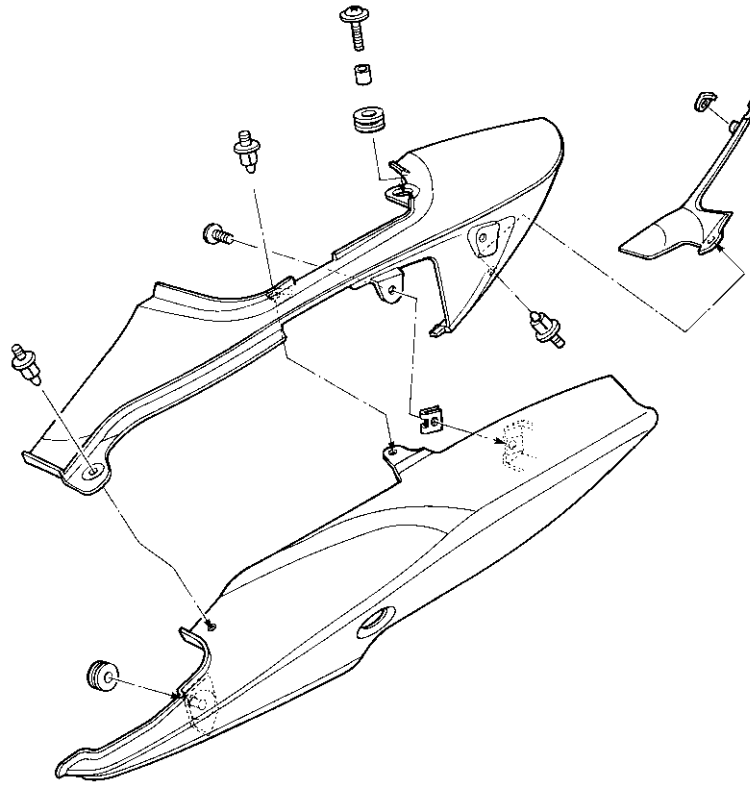
①	Velcro fastening	④	Fuel tank side cushion
②	Frame cover cushion		Apply adhesive agent.
③	Fuel tank front cover	*1	(equivalent to ARONALPHA 201)

# COWLING INSTALLATION

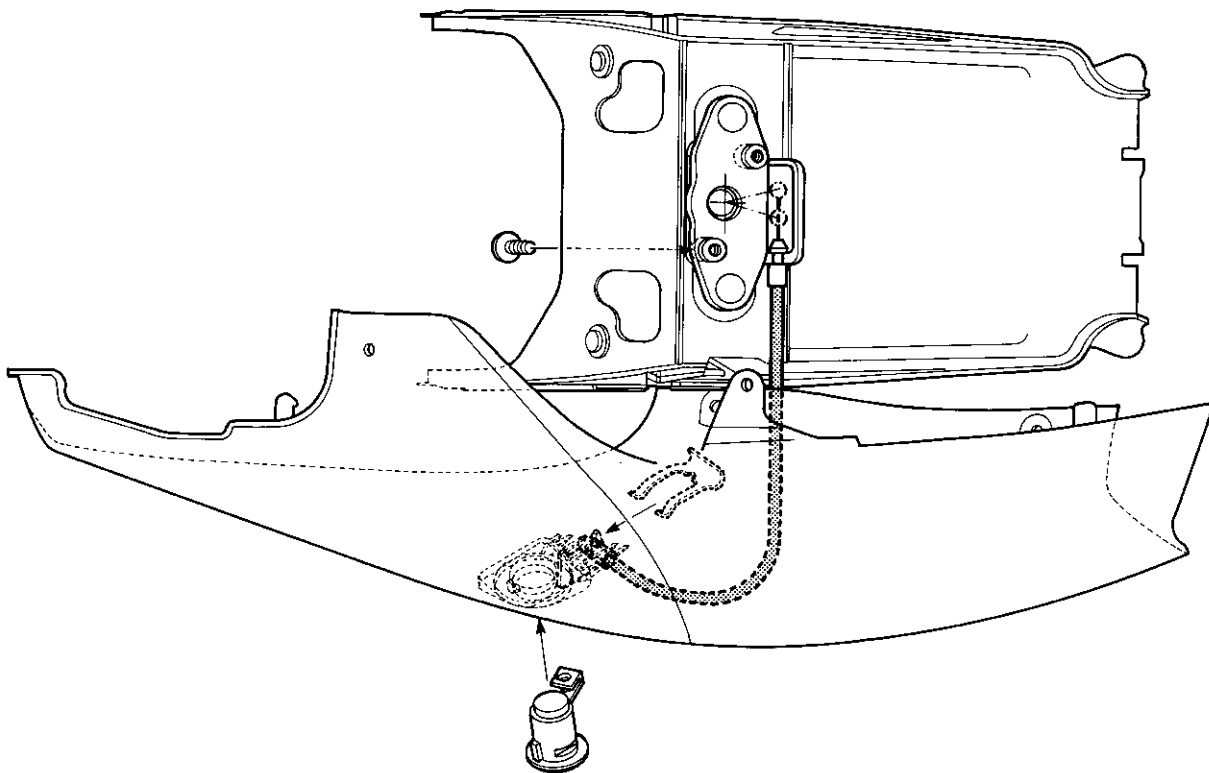




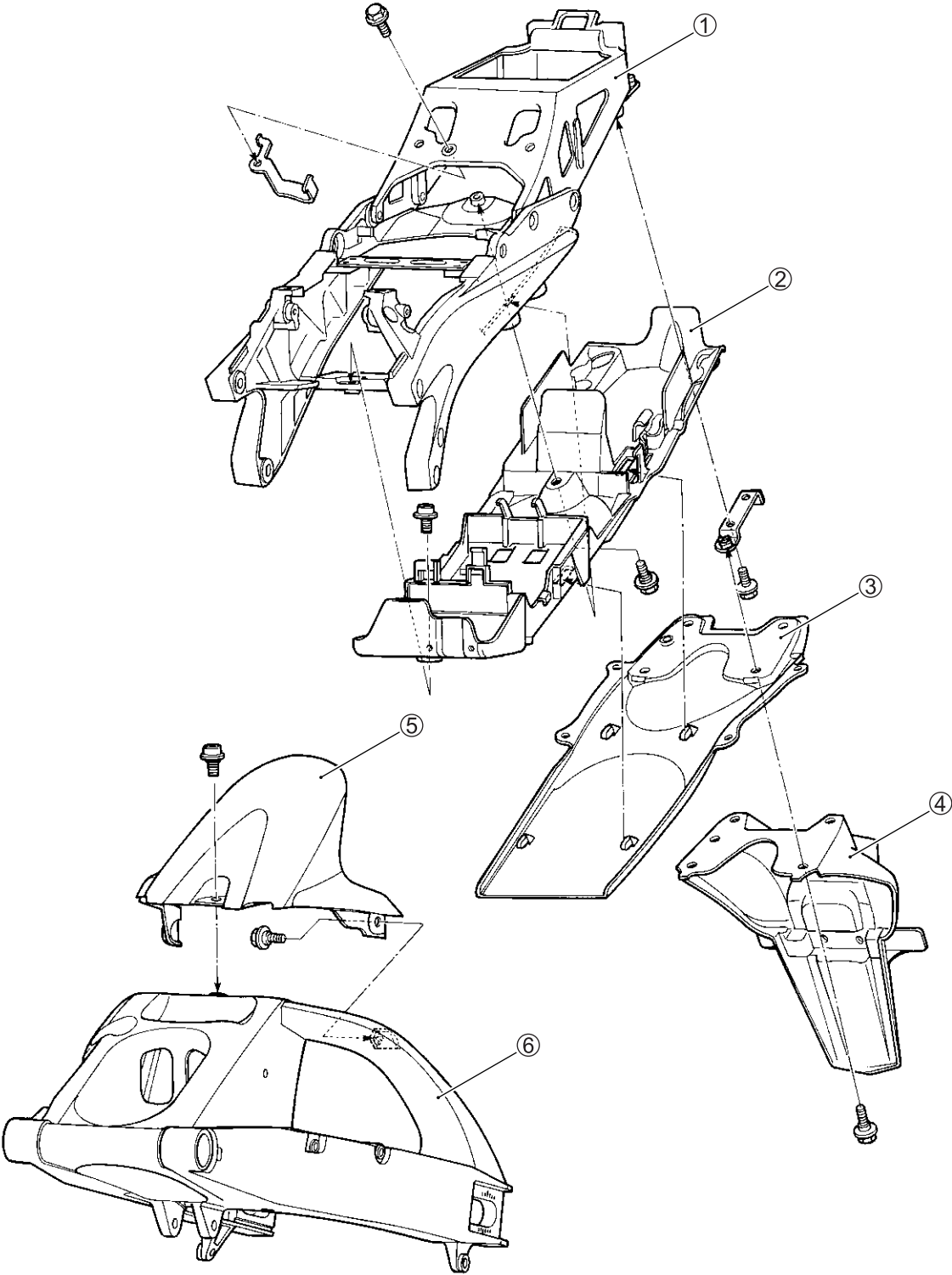
## FRAME COVER INSTALLATION



## SEAT LOCK CABLE ROUTING

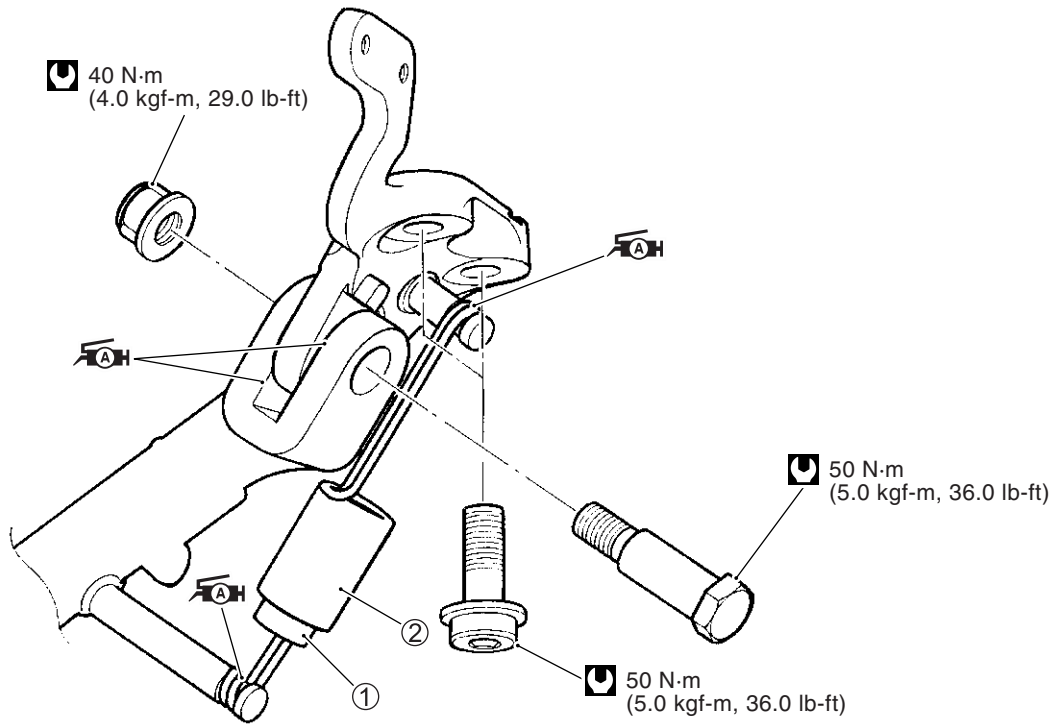


# REAR FENDER INSTALLATION



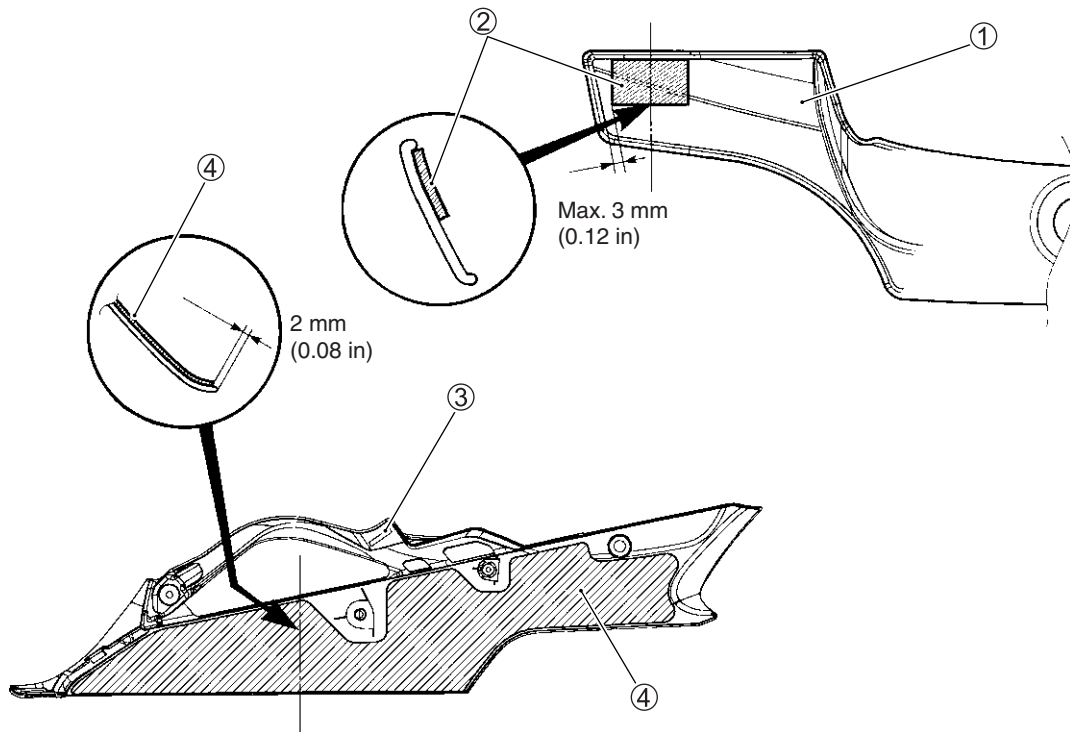
①	Seat rail	④	Rear fender (rear)
②	Rear fender (front)	⑤	Rear fender (lower)
③	Rear fender cover (front)	⑥	Swingarm

## SIDE-STAND INSTALLATION



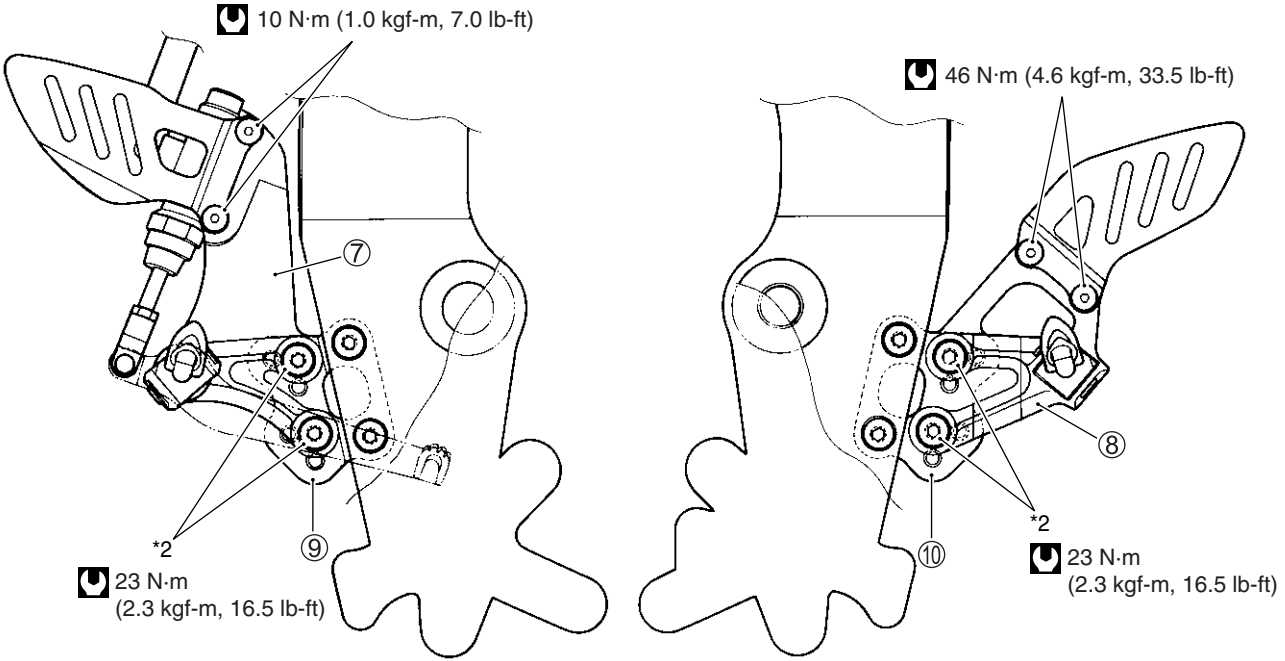
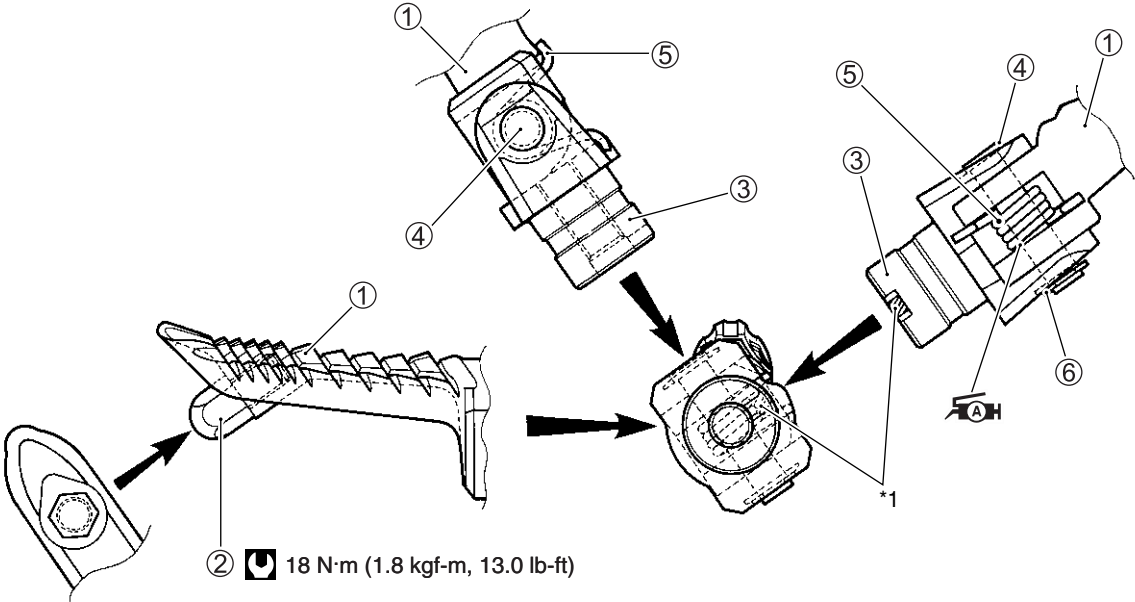
① Side-stand spring No.1	② Side-stand spring No.2
--------------------------	--------------------------

## UNDER COWLING CUSHION RUBBER/HEAT SHIELD INSTALLATION



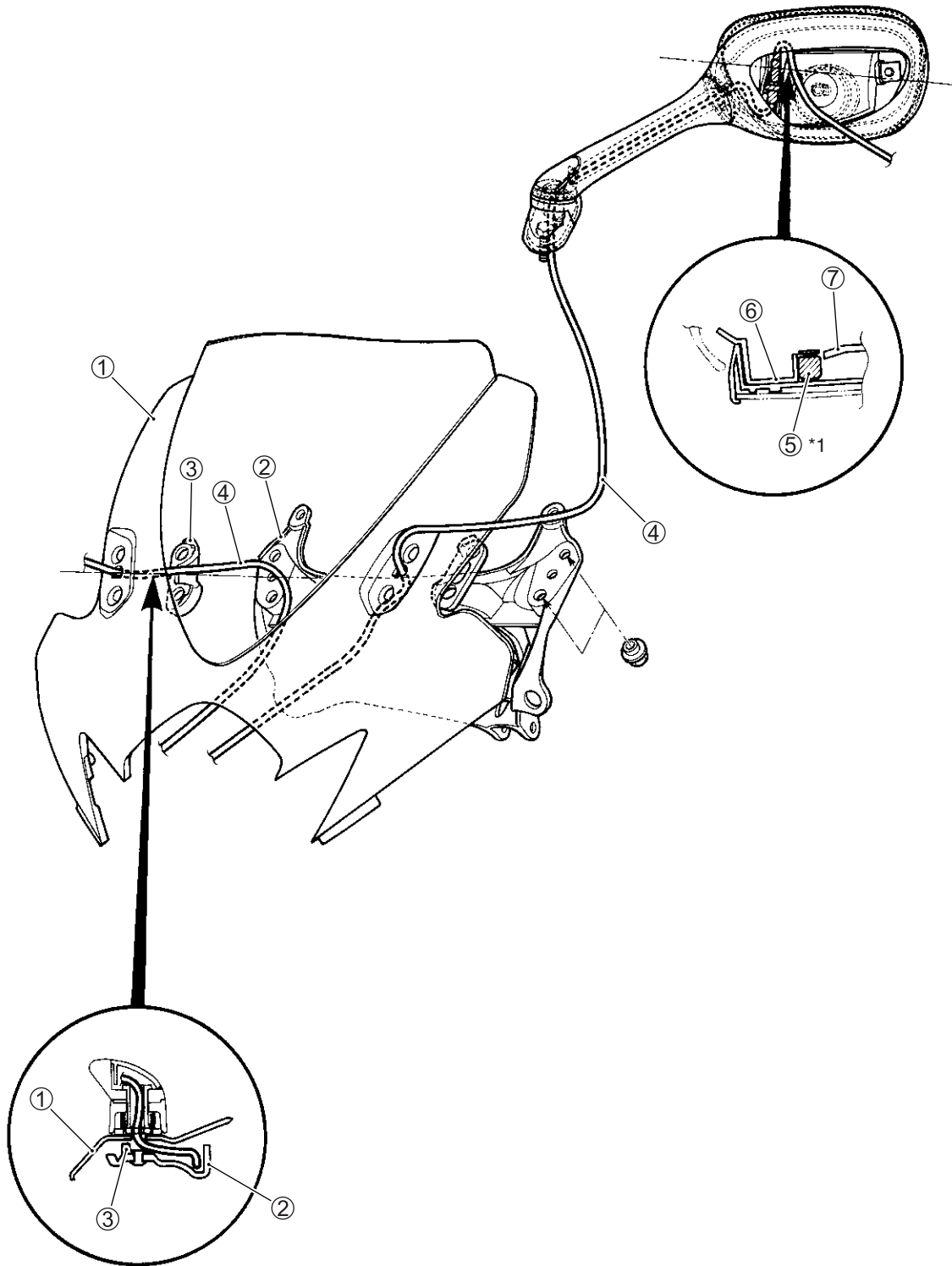
① Under cowling (LH)	③ Under cowling (RH)
② Cushion rubber	④ Head shield

# FRONT FOOTREST INSTALLATION



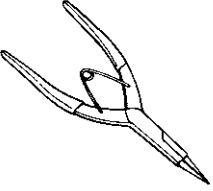
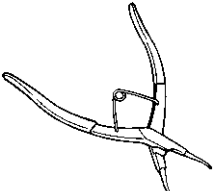
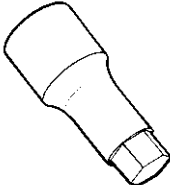
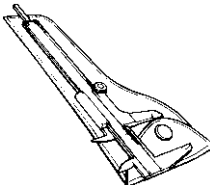
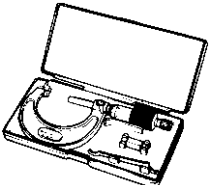
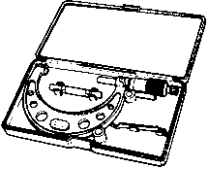
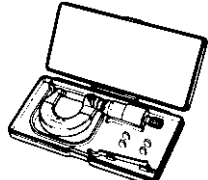
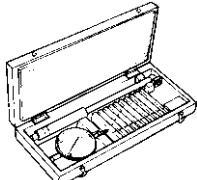
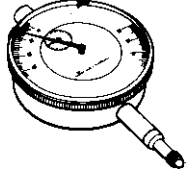
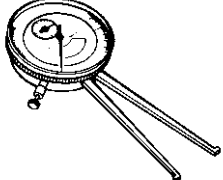
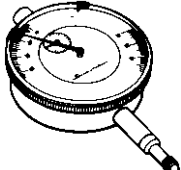
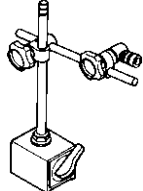
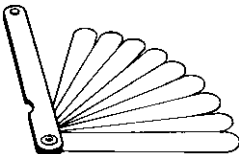
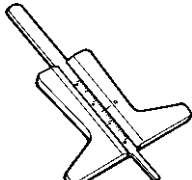
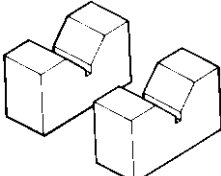

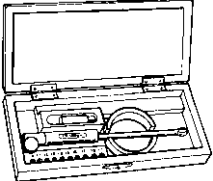
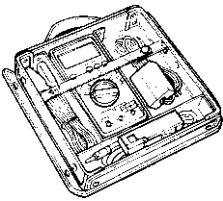
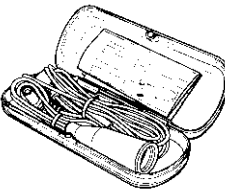
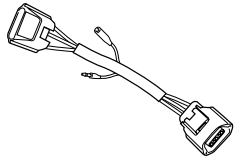
① Footrest	⑦ Front footrest No. 2 bracket (RH)
② Bank sensor	⑧ Front footrest No. 2 bracket (LH)
③ Holder	⑨ Front footrest No. 1 bracket (RH)
④ Pin	⑩ Front footrest No. 2 bracket (LH)
⑤ Spring	*1 Align the cutaway.
⑥ E-ring	*2 Set this to shown position.

## REAR VIEW MIRROR INSTALLATION

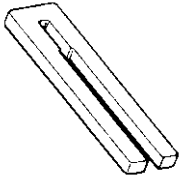
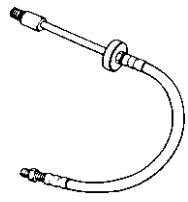
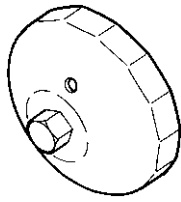
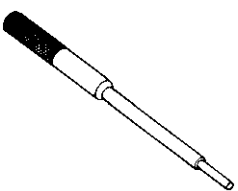


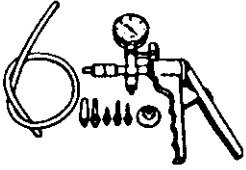

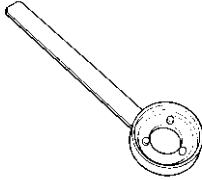
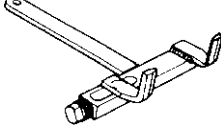
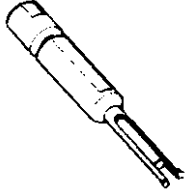
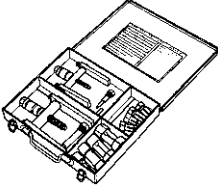
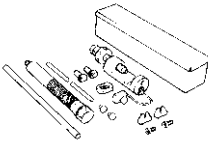
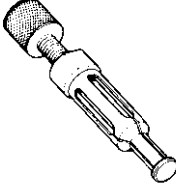
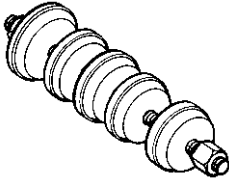
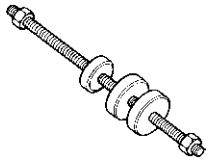
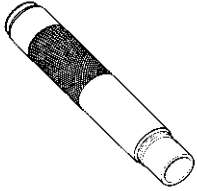
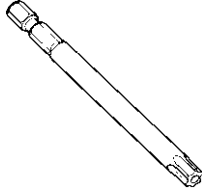
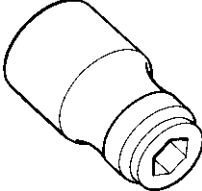
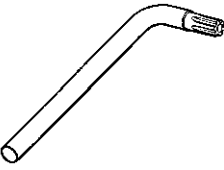
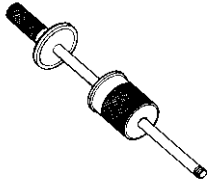
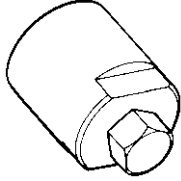
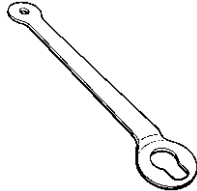
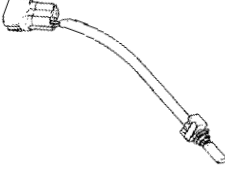
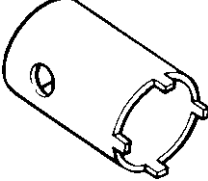

①	Body cowling	⑤	Turn signal lead wire coupler
②	Cowling brace	⑥	Mirror cover
③	Cushion	⑦	Mirror body
④	Turn signal lead wire	*1	Locate the turn signal lead wire coupler ⑤ between the mirror cover ⑥ and mirror body ⑦.

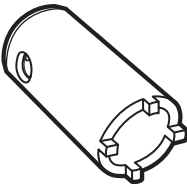
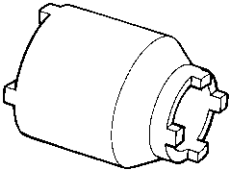
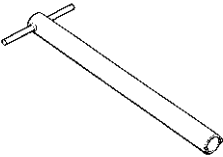
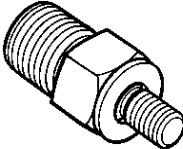
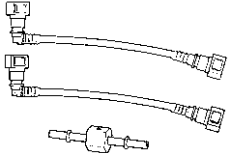
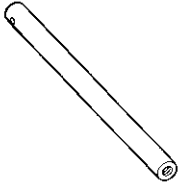
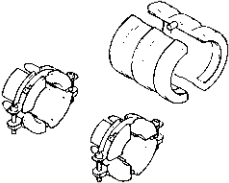
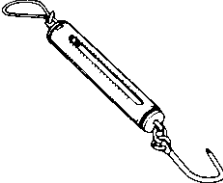

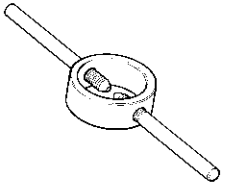
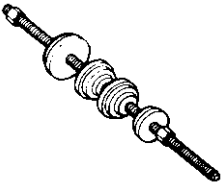
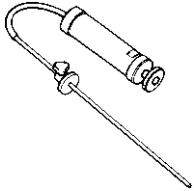
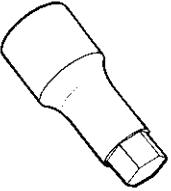
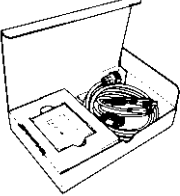
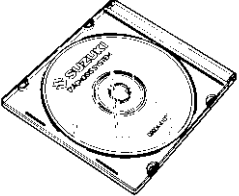
## SPECIAL TOOLS

 <p><b>09900-06107</b> Snap ring pliers</p>	 <p><b>09900-06108</b> Snap ring pliers</p>	 <p><b>09900-18740</b> Hexagon socket (24 mm)</p>	 <p><b>09900-20101</b> <b>09900-20102</b> Vernier calipers</p>	 <p><b>09900-20202</b> Micrometer (25 – 50 mm)</p>
 <p><b>09900-20203</b> Micrometer (50 – 75 mm)</p>	 <p><b>09900-20205</b> Micrometer (0 – 25 mm)</p>	 <p><b>09900-20508</b> Cylinder gauge set</p>	 <p><b>09900-20602</b> Dial gauge (1/1000 mm, 1 mm)</p>	 <p><b>09900-20605</b> Dial calipers (1/100 mm, 10 – 34 mm)</p>
 <p><b>09900-20607</b> Dial gauge (1/100 mm, 10 mm)</p>	 <p><b>09900-20701</b> Magnetic stand</p>	 <p><b>09900-20803</b> <b>09900-20806</b> Thickness gauge</p>	 <p><b>09900-20805</b> Tire depth gauge</p>	 <p><b>09900-21304</b> V-block set (100 mm)</p>
 <p><b>09900-22301</b> <b>09900-22302</b> Plastigauge</p>	 <p><b>09900-22401</b> (10 – 18 mm) <b>09900-22403</b> (18 – 35 mm) Small bore gauge</p>	 <p><b>09900-25008</b> Multi circuit tester set</p>	 <p><b>09900-25009</b> Needle pointed probe set</p>	 <p><b>09900-28630</b> TPS test wire har- ness</p>



 <p><b>09910-20115</b> Conrod stopper</p>	 <p><b>09913-10750</b> Adapter</p>	 <p><b>09913-50121</b> Oil seal remover</p>	 <p><b>09913-70210</b> Bearing installer set</p>	 <p><b>09915-40610</b> Oil filter wrench</p>
 <p><b>09915-64512</b> Compression gauge set</p>	 <p><b>09915-74521</b> Oil pressure gauge hose</p>	 <p><b>09915-74540</b> Oil pressure gauge attachment</p>	 <p><b>09915-77331</b> Meter (for high pressure)</p>	 <p><b>09916-10911</b> Valve lapper set</p>
 <p><b>09916-14510</b> Valve lifter</p>	 <p><b>09916-14530</b> Valve lifter attachment</p>	 <p><b>09916-20640</b> Solid pilot (N-100-4.5)</p>	 <p><b>09916-33210</b> Valve guide reamer (4.5 mm)</p>	 <p><b>09916-33320</b> Valve guide reamer (9.8 mm)</p>
 <p><b>09916-34542</b> Reamer handle</p>	 <p><b>09916-43211</b> Valve guide remover/installer</p>	 <p><b>09916-53310</b> Valve guide remover/installer</p>	 <p><b>09916-44930</b> <b>09916-53330</b> Attachment</p>	 <p><b>09916-84511</b> Tweezers</p>

 <p><b>09917-47011</b> Vacuum pump gauge</p>	 <p><b>09919-28610</b> Sleeve protector</p>	 <p><b>09920-34830</b> Starter clutch holder</p>	 <p><b>09920-53740</b> Clutch sleeve hub holder</p>	 <p><b>09921-20210</b> Bearing remover</p>
 <p><b>09921-20240</b> Bearing remover set</p>	 <p><b>09922-22711</b> Drive chain cutting and joining tool</p>	 <p><b>09923-74511</b> Bearing remover</p>	 <p><b>09924-84510</b> Bearing installer set</p>	 <p><b>09924-84521</b> Bearing installer set</p>
 <p><b>09925-18011</b> Steering bearing installer</p>	 <p><b>09930-11930</b> Torx bit JT30H</p>	 <p><b>09930-11940</b> Bit holder</p>	 <p><b>09930-11950</b> Torx wrench</p>	 <p><b>09930-30104</b> Sliding shaft</p>
 <p><b>09930-34980</b> Rotor remover</p>	 <p><b>09930-44520</b> Rotor holder</p>	 <p><b>09930-82720</b> Mode selection switch</p>	 <p><b>09940-14911</b> Steering stem nut wrench</p>	 <p><b>09940-14960</b> Steering nut wrench socket</p>

 <p><b>09940-14940</b> Swingarm pivot thrust adjuster socket wrench</p>	 <p><b>09940-14990</b> Engine mounting thrust adjuster socket wrench</p>	 <p><b>09940-30221</b> Front fork assembling tool</p>	 <p><b>09940-40211</b> Fuel pressure gauge adaptor</p>	 <p><b>09940-40220</b> Fuel pressure gauge hose attachment</p>
 <p><b>09940-52841</b> Front fork inner rod holder</p>	 <p><b>09940-52861</b> Front fork oil seal installer</p>	 <p><b>09940-92720</b> Spring scale</p>	 <p><b>09940-94922</b> Front fork spring stopper plate</p>	 <p><b>09940-94930</b> Front fork spacer holder</p>
 <p><b>09941-34513</b> Steering race installer</p>	 <p><b>09943-74111</b> Fork oil level gauge</p>	 <p><b>09944-28320</b> Hexagon socket (19 mm)</p>	 <p><b>09904-41010</b> SDS Set</p>	 <p><b>99565-01010-007</b> CD-ROM Ver.7</p>

**NOTE:**

When order the special tool, please confirm whether it is available or not.

## TIGHTENING TORQUE ENGINE

ITEM		N-m	kgf-m	lb-ft
Exhaust pipe bolt		23	2.3	16.5
Muffler connecting bolt		23	2.3	16.5
Muffler mounting bolt		23	2.3	16.5
Speed sensor rotor bolt		25	2.5	18.0
Speed sensor bolt		4.5	0.45	3.0
Engine sprocket nut		115	11.5	83.0
Engine mounting bolt (Cylinder)		55	5.5	39.8
Engine mounting nut (Crankcase)		75	7.5	54.0
Engine mounting thrust adjuster		23	2.3	16.5
Engine mounting thrust adjuster lock-nut		45	4.5	32.5
Engine mounting pinch bolt		23	2.3	16.5
Cylinder head cover bolt		14	1.4	10.0
Spark plug		11	1.1	8.0
Cam chain guide No.1 bolt		23	2.3	16.5
Camshaft journal holder bolt		10	1.0	7.0
Cam chain tension adjuster cap bolt		23	2.3	16.5
Cam chain tension adjuster mounting bolt		10	1.0	7.0
Cam chain tensioner bolt		23	2.3	16.5
Cam chain drive sprocket bolt		54	5.4	39.0
Cylinder head bolt	(M: 10)	Step 1/step 3	31	22.5
		Final step	60°	
	(M: 6)	10	1.0	7.0
Water jacket plug		9.5	0.95	6.9
Clutch cover bolt		10	1.0	7.0
Clutch sleeve hub nut		95	9.5	68.5
Clutch spring set bolt		10	1.0	7.0
Clutch release adjuster cap		11	1.1	8.0
Clutch lifter adjuster lock-nut		23	2.3	16.5
Starter idle gear cover bolt		10	1.0	7.0
Valve timing inspection plug		11	1.1	8.0
Starter clutch bolt		10	1.0	7.0
Generator cover bolt		10	1.0	7.0
Generator rotor bolt		120	12.0	87.0
Generator stator set bolt		10	1.0	7.0
Gearshift cam stopper bolt		10	1.0	7.0
Gearshift cam stopper plate bolt		13	1.3	9.5
Oil pressure switch		14	1.4	10.0
Oil filter		20	2.0	14.5

ITEM			N·m	kgf·m	lb·ft
Crankcase bolt	(M: 6)	(Initial)	6	0.6	4.5
		(Final)	11	1.1	8.0
	(M: 8)	(Initial)	15	1.5	11.0
		(Final)	26	2.6	19.0
Crankcase bolt (Inner hexagon)	(M: 8)	(Initial)	15	1.5	11.0
		(Final)	22	2.2	16.0
Crankshaft journal bolt	(M: 9)		22	2.2	16.0
Oil gallery plug	(M: 6)		10	1.0	7.0
	(M: 10)		18	1.8	13.0
	(M: 12)		15	1.5	11.0
	(M: 16)		35	3.5	25.5
Oil drain plug			23	2.3	16.5
Piston cooling oil jet bolt			10	1.0	7.0
Oil pump mounting bolt			10	1.0	7.0
Conrod bearing cap bolt	(Initial)		15	1.5	11.0
	(Final)		90° (1/4 turn)		
Bearing retainer screw			10	1.0	7.0
Breather cover bolt			10	1.0	7.0
Oil pan bolt			10	1.0	7.0
Oil cooler mounting bolt			10	1.0	7.0
Driveshaft bearing case bolt (LH and RH)			12	1.2	8.7
Starter motor mounting bolt			6	0.6	4.5

## FI SYSTEM AND INTAKE AIR SYSTEM

ITEM	N·m	kgf·m	lb·ft
CKP sensor mounting bolt	8	0.8	6.0
HO2 sensor (For E-02, 19)	48	4.8	34.5
Fuel delivery pipe mounting screw	5	0.5	3.5
Fuel pump mounting bolt	10	1.0	7.0
TPS and STPS mounting screw	3.5	0.35	2.5
EXCVA mounting bolt	5	0.5	3.5
EXCVA pulley mounting bolt	5	0.5	3.5

## COOLING SYSTEM

ITEM	N·m	kgf·m	lb·ft
Impeller securing bolt	8	0.8	6.0
Water pump cover screw	5	0.5	3.5
Water pump mounting bolt	10	1.0	7.0
Cooling fan mounting bolt	8	0.8	6.0
ECT sensor	18	1.8	13.0
Thermostat connector bolt	10	1.0	7.0
Thermostat cover bolt	10	1.0	7.0
Water inlet connector bolt	10	1.0	7.0

**CHASSIS**

ITEM	N-m	kgf-m	lb-ft
Steering stem head nut	90	9.0	65.0
Steering stem lock-nut	80	8.0	58.0
Steering damper bolt and nut	23	2.3	16.5
Front fork upper clamp bolt	23	2.3	16.5
Front fork lower clamp bolt	23	2.3	16.5
Front fork cap bolt	35	3.5	25.5
Front fork inner rod lock-nut	20	2.0	14.5
Front fork damper rod bolt	35	3.5	25.5
Front axle bolt	100	10.0	72.5
Front axle pinch bolt	23	2.3	16.5
Handlebar clamp bolt	23	2.3	16.5
Clutch lever pivot bolt	1.0	0.1	0.7
Clutch lever lock-nut	6.0	0.6	4.5
Brake lever pivot bolt	1.0	0.1	0.7
Brake lever lock-nut	6.0	0.6	4.5
Front brake master cylinder mounting bolt	10	1.0	7.0
Front brake caliper mounting bolt	39	3.9	28.0
Front brake caliper housing bolt	22	2.2	16.0
Front brake pad mounting pin	15	1.5	11.0
Brake hose union bolt	23	2.3	16.5
Clutch lever holder mounting bolt	10	1.0	7.0
Air bleeder valve (Front and rear brake caliper)	7.5	0.75	5.5
Air breeder valve (Master cylinder)	6.0	0.6	4.3
Brake disc bolt (Front)	23	2.3	16.5
Brake disc bolt (Rear)	35	3.5	25.5
Rear brake caliper mounting bolt	17	1.7	12.5
Rear brake caliper pin bolt	32	3.2	23.0
Rear brake pad mounting pin	15	1.5	11.0
Rear brake master cylinder mounting bolt	10	1.0	7.0
Rear brake master cylinder rod lock-nut	18	1.8	13.0
Front footrest bracket mounting bolt	23	2.3	16.5
Swingarm pivot shaft	15	1.5	11.0
Swingarm pivot nut	100	10.0	72.5
Swingarm pivot lock-nut	90	9.0	65.0
Cushion lever mounting nut	98	9.8	71.0
Cushion rod mounting nut	78	7.8	56.5
Rear shock absorber mounting bolt and nut (Upper and Lower)	50	5.0	36.0
Rear axle nut	100	10.0	72.5
Rear sprocket nut	93	9.3	67.5
Side-stand mounting bracket bolt	50	5.0	36.0
Rear shock absorber bracket nut	115	11.5	83.0
Cowling brace bolt and nut	23	2.3	16.5

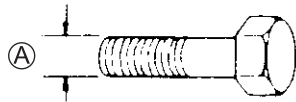


ITEM	N·m	kgf·m	lb·ft
Seat rail bolt	50	5.0	36.0
Rear view mirror nut	10	1.0	7.0

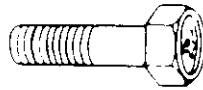
## TIGHTENING TORQUE CHART

For other nuts and bolts not listed in the preceding page, refer to this chart:

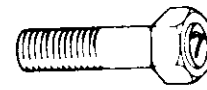
Bolt Diameter Ⓐ (mm)	Conventional or "4" marked bolt			"7" marked bolt		
	N·m	kgf·m	lb·ft	N·m	kgf·m	lb·ft
4	1.5	0.15	1.0	2.3	0.23	1.5
5	3	0.3	2.0	4.5	0.45	3.0
6	5.5	0.55	4.0	10	1.0	7.0
8	13	1.3	9.5	23	2.3	16.5
10	29	2.9	21.0	50	5.0	36.0
12	45	4.5	32.5	85	8.5	61.5
14	65	6.5	47.0	135	13.5	97.5
16	105	10.5	76.0	210	21.0	152.0
18	160	16.0	115.5	240	24.0	173.5



Conventional bolt



"4" marked bolt



"7" marked bolt

## SERVICE DATA

### VALVE + VALVE GUIDE

Unit: mm (in)

ITEM	STANDARD		LIMIT
Valve diam.	IN.	27.2 (1.07)	—
	EX.	22.0 (0.87)	—
Valve clearance (when cold)	IN.	0.08 – 0.18 (0.0031 – 0.0071)	—
	EX.	0.18 – 0.28 (0.0071 – 0.0110)	—
Valve guide to valve stem clearance	IN.	0.010 – 0.037 (0.0004 – 0.0015)	—
	EX.	0.030 – 0.057 (0.0012 – 0.0022)	—
Valve guide I.D.	IN. & EX.	4.500 – 4.512 (0.1772 – 0.1776)	—
Valve stem O.D.	IN.	4.475 – 4.490 (0.1762 – 0.1768)	—
	EX.	4.455 – 4.470 (0.1754 – 0.1760)	—
Valve stem deflection	IN. & EX.	—	0.25 (0.010)
Valve stem runout	IN. & EX.	—	0.05 (0.002)
Valve seat width	IN. & EX.	0.9 – 1.1 (0.035 – 0.043)	—
Valve head radial runout	IN. & EX.	—	0.03 (0.001)
Valve spring free length	IN. & EX.	—	38.1 (1.50)
Valve spring tension	IN. & EX.	203 – 233 N (20.7 – 23.8 kgf, 45.6 – 52.4 lbs) at length 33.55 mm (1.32 in)	—

## CAMSHAFT + CYLINDER HEAD

Unit: mm (in)

ITEM	STANDARD		LIMIT
Cam height	IN.	36.58 – 36.63 (1.440 – 1.442)	36.28 (1.428)
	EX.	35.98 – 36.03 (1.417 – 1.419)	35.68 (1.405)
Camshaft journal oil clearance	IN. & EX.	0.032 – 0.066 (0.0013 – 0.0026)	0.150 (0.0059)
Camshaft journal holder I.D.	IN. & EX.	24.012 – 24.025 (0.9454 – 0.9459)	—
Camshaft journal O.D.	IN. & EX.	23.959 – 23.980 (0.9433 – 0.9441)	—
Camshaft runout		—	0.10 (0.004)
Cam chain pin (at arrow "3")		12th pin	—
Cylinder head distortion		—	0.20 (0.008)

**CYLINDER + PISTON + PISTON RING**

Unit: mm (in)

ITEM	STANDARD			LIMIT
Compression pressure	1 200 – 1 600 kPa (12 – 16 kgf/cm <sup>2</sup> , 171 – 228 psi)			900 kPa (9 kgf/cm <sup>2</sup> , 128 psi)
Compression pressure difference	—			200 kPa (2 kgf/cm <sup>2</sup> , 28 psi)
Piston to cylinder clearance	0.030 – 0.040 (0.0012 – 0.0016)			0.120 (0.0047)
Cylinder bore	67.000 – 67.015 (2.6378 – 2.6384)			Nicks or Scratches
Piston diam.	66.965 – 66.980 (2.6364 – 2.6370) Measure at 15 mm (0.6 in) from the skirt end.			66.880 (2.6331)
Cylinder distortion	—			0.02 (0.008)
Piston ring free end gap	1st	T	Approx. 5.5 (0.22)	4.4 (0.17)
	2nd	T	Approx. 8.5 (0.33)	6.8 (0.27)
Piston ring end gap	1st	T	0.06 – 0.21 (0.002 – 0.008)	0.50 (0.020)
	2nd	T	0.06 – 0.21 (0.002 – 0.008)	0.50 (0.020)
Piston ring to groove clearance	1st	—		0.180 (0.0071)
	2nd	—		0.150 (0.0059)
Piston ring groove width	1st	1.01 – 1.03 (0.0398 – 0.0406)		—
	2nd	0.81 – 0.83 (0.0319 – 0.0327)		—
	Oil	1.51 – 1.53 (0.0594 – 0.0602)		—
Piston ring thickness	1st	0.97 – 0.99 (0.0382 – 0.0390)		—
	2nd	0.77 – 0.79 (0.0303 – 0.0311)		—
Piston pin bore I.D.	14.002 – 14.008 (0.5513 – 0.5515)			14.030 (0.5524)
Piston pin O.D.	13.995 – 14.000 (0.5510 – 0.5512)			13.980 (0.5504)

**CONROD + CRANKSHAFT**

Unit: mm (in)

ITEM	STANDARD		LIMIT
Conrod small end I.D.	14.010 – 14.018 (0.5516 – 0.5519)		14.040 (0.5528)
Conrod big end side clearance	0.10 – 0.20 (0.004 – 0.008)		0.30 (0.012)
Conrod big end width	19.95 – 20.00 (0.7854 – 0.7874)		—
Crank pin width	20.10 – 20.15 (0.7913 – 0.7933)		—
Conrod big end oil clearance	0.032 – 0.056 (0.0013 – 0.0022)		0.080 (0.0031)
Crank pin O.D.	30.976 – 31.000 (1.2195 – 1.2205)		—
Crankshaft journal oil clearance	0.010 – 0.028 (0.0004 – 0.0011)		0.080 (0.0031)
Crankshaft journal O.D.	29.982 – 30.000 (1.18039 – 1.18110)		—
Crankshaft thrust bearing thickness	Right side	2.425 – 2.450 (0.0955 – 0.0965)	—
	Left side	2.350 – 2.500 (0.0925 – 0.0984)	—
Crankshaft thrust clearance	0.055 – 0.110 (0.0022 – 0.0043)		—
Crankshaft runout	—		0.05 (0.002)

**OIL PUMP**

ITEM	STANDARD	LIMIT
Oil pressure (at 60 °C, 140 °F)	100 – 400 kPa (1.0 – 4.0 kgf/cm <sup>2</sup> , 14 – 57 psi) at 3 000 r/min	—

**CLUTCH**

Unit: mm (in)

ITEM	STANDARD		LIMIT
Clutch lever play	10 – 15 (0.4 – 0.6)		—
Clutch release screw	1/2 turn back		—
Drive plate thickness	No. 1, 2 and 3	2.72 – 2.88 (0.107 – 0.113)	2.42 (0.095)
Drive plate claw width	No. 1, 2 and 3	13.85 – 14.04 (0.5453 – 0.5528)	13.05 (0.5138)
Driven plate distortion	—		0.10 (0.004)
Clutch spring free length	56.0 (2.205)		53.2 (2.094)
Clutch lifter adjusting pin screw height	0.2 – 0.4 (0.008 – 0.016)		—
Wave spring washer height	—		4.30 (0.169)

**TRANSMISSION + DRIVE CHAIN**

Unit: mm (in) Except ratio

ITEM	STANDARD		LIMIT
Primary reduction ratio	1.974 (77/39)		—
Final reduction ratio	2.687 (43/16)		—
Gear ratios	Low	2.785 (39/14)	—
	2nd	2.052 (39/19)	—
	3rd	1.714 (36/21)	—
	4th	1.500 (36/24)	—
	5th	1.347 (31/23)	—
	Top	1.208 (29/24)	—
Shift fork to groove clearance	0.10 – 0.30 (0.004 – 0.012)		0.50 (0.020)
Shift fork groove width	5.0 – 5.1 (0.197 – 0.201)		—
Shift fork thickness	4.8 – 4.9 (0.189 – 0.193)		—
Drive chain	Type	RK525SMOZ7Y	—
	Links	114 links	—
	20-pitch length	—	319.4 (12.57)
Drive chain slack (on side-stand)	20 – 30 (0.79 – 1.18)		—
Gearshift lever height	65 – 75 (2.56 – 2.95)		—

**THERMOSTAT + RADIATOR + FAN + COOLANT**

ITEM	STANDARD/SPECIFICATION		NOTE
Thermostat valve opening temperature	Approx. 82 °C (180 °F)		—
Thermostat valve lift	8 mm (0.31 in) and over at 95 °C (203 °F)		—
ECT sensor resistance	20 °C (68 °F)	Approx. 2.45 kΩ	—
	50 °C (122 °F)	Approx. 0.811 kΩ	—
	80 °C (176 °F)	Approx. 0.318 kΩ	—
	110 °C (230 °F)	Approx. 0.142 kΩ	—
Radiator cap valve opening pressure	108 – 137 kPa (1.1 – 1.4 kgf/cm <sup>2</sup> , 15.4 – 19.5 psi)		—
Cooling fan operating temperature	OFF→ON	Approx. 105 °C (221 °F)	—
	ON→OFF	Approx. 100 °C (212 °F)	—
Engine coolant type	Use an antifreeze/coolant compatible with aluminum radiator, mixed with distilled water only, at the ratio of 50:50.		—
Engine coolant	Reservoir tank side	Approx. 250 ml (0.3/0.2 US/Imp qt)	—
	Engine side	Approx. 2 400 ml (2.5/2.1 US/Imp qt)	—

**INJECTOR + FUEL PUMP + FUEL PRESSURE REGULATOR**

ITEM	SPECIFICATION	NOTE
Injector resistance (primary and secondary)	11 – 13 Ω at 20 °C (68 °F)	
Fuel pump discharge amount	168 ml (5.7/5.9 US/Imp oz) and more/10 sec.	
Fuel pressure regulator operating set pressure	Approx. 300 kPa (3.0 kgf/cm <sup>2</sup> , 43 psi)	

## FI SENSORS

ITEM	SPECIFICATION		NOTE
CKP sensor resistance	142 – 194 $\Omega$		
CKP sensor peak voltage	0.28 V and more		When cranking
IAP sensor input voltage	4.5 – 5.5 V		
IAP sensor output voltage	Approx. 2.7 V at idle speed		
TP sensor input voltage	4.5 – 5.5 V		
TP sensor resistance	Approx. 4.68 k $\Omega$		
	Closed	Approx. 1.1 k $\Omega$	
	Opened	Approx. 4.3 k $\Omega$	
TP sensor output voltage	Closed	Approx. 1.1 V	
	Opened	Approx. 4.3 V	
ECT sensor input voltage	4.5 – 5.5 V		
ECT sensor output voltage	0.15 – 4.85 V		
ECT sensor resistance	Approx. 2.45 k $\Omega$ at 20 °C (68 °F)		
IAT sensor input voltage	4.5 – 5.5 V		
IAT sensor output voltage	0.15 – 4.85 V		
IAT sensor resistance	Approx. 2.45 k $\Omega$ at 20 °C (68 °F)		
AP sensor input voltage	4.5 – 5.5 V		
AP sensor output voltage	Approx. 3.6 V at 760 mmHg (100 kPa)		
TO sensor resistance	16.5 – 22.3 k $\Omega$		
TO sensor voltage	Normal	0.4 – 1.4 V	
	Leaning	3.7 – 4.4 V	When leaning 65°
GP switch voltage	0.6 V and more		From 1st to Top
Injector voltage	Battery voltage		
Ignition coil primary peak voltage	80 V and more		When cranking
STP sensor input voltage	4.5 – 5.5 V		
STP sensor resistance	Approx. 4.69 k $\Omega$		
	Closed	Approx. 0.5 k $\Omega$	
	Opened	Approx. 3.9 k $\Omega$	
STP sensor output voltage	Closed	Approx. 0.5 V	
	Opened	Approx. 3.9 V	
STV actuator resistance	Approx. 6.5 $\Omega$		
EXCVA position sensor input voltage	4.5 – 5.5 V		
EXCVA position sensor resistance	Approx. 3.1 k $\Omega$		At adjustment position
EXCVA position sensor output voltage	Closed	0.5 – 1.3 V	
	Opened	3.7 – 4.5 V	
PAIR control solenoid valve resistance	18 – 22 $\Omega$ at 20 – 30 °C (68 – 86 °F)		
HO2 sensor output voltage	0.4 V and less at idle speed		E-02, 19
	0.6 V and more at 5 000 r/min		E-02, 19
HO2 sensor resistance	4 – 5 $\Omega$ at 23 °C		E-02, 19



**THROTTLE BODY**

ITEM	SPECIFICATION
Bore size	40 mm (1.575 in)
I.D. No.	01H1 (For E-33), 01H0 (For the others)
Idle r/min	1 300 ± 100 r/min
Fast idle r/min	1 500 – 2 000 r/min (When cold engine)
Throttle cable play	2.0 – 4.0 mm (0.08 – 0.16 in)

**ELECTRICAL**

Unit: mm (in)

ITEM		SPECIFICATION	NOTE
Firing order		1.2.4.3	
Spark plug	Type	NGK: CR9E DENSO: U27ESR-N	
	Gap	0.7 – 0.8 (0.028 – 0.031)	
Spark performance		Over 8 (0.3) at 1 atm.	
CKP sensor resistance		142 – 194 Ω	
CKP sensor peak voltage		0.28 V and more	
Ignition coil resistance	Primary	1.1 – 1.9 Ω	Terminal – Terminal
	Secondary	10.8 – 16.2 kΩ	Plug cap – Terminal
Ignition coil primary peak voltage		80 V and more	
Generator coil resistance		0.2 – 0.9 Ω	
Generator no-load voltage (When engine is cold)		65 V (AC) and more at 5 000 r/min	
Starter motor brush length		10 (0.39)	6.5 (0.26)
Regulated voltage		14.0 – 15.5 V at 5 000 r/min	
Starter relay resistance		3 – 6 Ω	
GP switch voltage		0.6 V and more (From 1st to Top)	
Battery	Type designation	FTX9-BS	
	Capacity	12 V 28.8 kC (8 Ah)/10 HR	
Fuse size	Headlight	HI	10 A
		LO	10 A
	Signal		15 A
	Ignition		10 A
	Fuel		10 A
	Fan		15 A
	Main		30 A

**WATTAGE**

Unit: W

ITEM		STANDARD/SPECIFICATION	
		E-03, 28, 33	Others
Headlight	HI	65	←
	LO	55	←
Position/Parking light		5 × 2	←
Brake light/Taillight		LED	←
Turn signal light		21 × 4	←
License plate light		5	←
Combination meter light		LED	←
Turn signal indicator light		LED	←
High beam indicator light		LED	←
Neutral indicator light		LED	←
FI indicator light/Oil pressure indicator light/Engine coolant temp. indicator light		LED	←
Fuel level indicator light		LED	←
Engine RPM indicator light		LED	←
Immobilizer indicator light			LED

**BRAKE + WHEEL**

Unit: mm (in)

ITEM	STANDARD		LIMIT
Rear brake pedal height	65 – 75 (2.56 – 2.95)		—
Brake disc thickness	Front	5.3 – 5.7 (0.209 – 0.224)	5.0 (0.20)
	Rear	4.8 – 5.2 (0.189 – 0.205)	4.5 (0.18)
Brake disc runout	—		0.30 (0.012)
Master cylinder bore	Front	19.050 – 19.093 (0.7500 – 0.7517)	—
	Rear	14.000 – 14.043 (0.5512 – 0.5529)	—
Master cylinder piston diam	Front	19.018 – 19.034 (0.7487 – 0.7494)	—
	Rear	13.957 – 13.984 (0.5495 – 0.5506)	—
Brake caliper cylinder bore	Front	Leading	30.280 – 30.356 (1.1921 – 1.1951)
		Trailing	34.010 – 34.086 (1.3390 – 1.3420)
	Rear	38.180 – 38.256 (1.5031 – 1.5062)	
Brake caliper piston diam	Front	Leading	30.150 – 30.200 (1.1870 – 1.1890)
		Trailing	33.884 – 38.148 (1.3340 – 1.5019)
	Rear	38.098 – 38.130 (1.4999 – 1.5012)	
Brake fluid type	DOT 4		—

ITEM	STANDARD		LIMIT
Wheel rim runout	Axial	—	2.0 (0.08)
	Radial	—	2.0 (0.08)
Wheel rim size	Front	17 M/C × MT 3.50	—
	Rear	17 M/C × MT 5.50	—
Wheel axle runout	Front	—	0.25 (0.010)
	Rear	—	0.25 (0.010)

## TIRE

ITEM	STANDARD		LIMIT
Cold inflation tire pressure (Solo riding)	Front	250 kPa (2.50 kgf/cm <sup>2</sup> , 36 psi)	—
	Rear	250 kPa (2.50 kgf/cm <sup>2</sup> , 36 psi)	—
Cold inflation tire pressure (Dual riding)	Front	250 kPa (2.50 kgf/cm <sup>2</sup> , 36 psi)	—
	Rear	290 kPa (2.90 kgf/cm <sup>2</sup> , 42 psi)	—
Tire size	Front	120/70 ZR17 M/C (58 W)	—
	Rear	180/55 ZR17 M/C (73 W)	—
Tire type	Front	BRIDGESTONE: BT014F J	—
	Rear	BRIDGESTONE: BT014R N	—
Tire tread depth (Recommended depth)	Front	—	1.6 (0.06)
	Rear	—	2.0 (0.08)

**SUSPENSION**

Unit: mm (in)

ITEM	STANDARD		LIMIT
Front fork stroke	120 (4.92)		—
Front fork spring free length	268 (10.55)		241.2 (9.50)
Front fork oil level (without spring, outer tube fully compressed)	107 (4.21)		—
Front fork oil type	SUZUKI FORK OIL SS-05 or equivalent fork oil		—
Front fork oil capacity (each leg)	413 ml (14.0/14.5 US/Imp oz)		—
Front fork inner tube O.D.	41 (1.61)		
Front fork spring adjuster	7 turns from softest position		—
Front fork damping force adjuster	Rebound	1-3/4 turns from stiffest position	—
	Compression	1-3/4 turns from stiffest position	—
Rear shock absorber spring pre-set length	181.4 (7.14)		—
Rear shock absorber damping force adjuster	Rebound	1-3/4 turns from stiffest position	—
	Compression	Lo: 1-3/4 turns from stiffest position Hi: 3 turns from stiffest position	
Rear wheel travel	130 (5.12)		—
Swingarm pivot shaft runout	—		0.3 (0.01)

**FUEL + OIL**

ITEM	SPECIFICATION		NOTE
Fuel type	Use only unleaded gasoline of at least 87 pump octane (R/2 + M/2) or 91 octane or higher rated by the research method. Gasoline containing MTBE (Methyl Tertiary Butyl Ether), less than 10% ethanol, or less than 5% methanol with appropriate cosolvents and corrosion inhibitor is permissible.		E-03, 28, 33
	Gasoline used should be graded 91 octane or higher. An unleaded gasoline is recommended.		Others
Fuel tank capacity	Including reserve	15.5 L (4.1/3.4 US/Imp gal)	E-33
		16.5 L (4.4/3.6 US/Imp gal)	Others
	Fuel level indicator light lighting	Approx. 3.5 L (3.7/3.1 US/Imp gal)	
Engine oil type	SAE 10 W-40, API SF/SG or SH/SJ with JASO MA		
Engine oil capacity	Change	2.2 L (2.3/1.9 US/Imp qt)	
	Filter change	2.5 L (2.6/2.2 US/Imp qt)	
	Overhaul	2.9 L (3.1/2.6 US/Imp qt)	

# EMISSION CONTROL INFORMATION

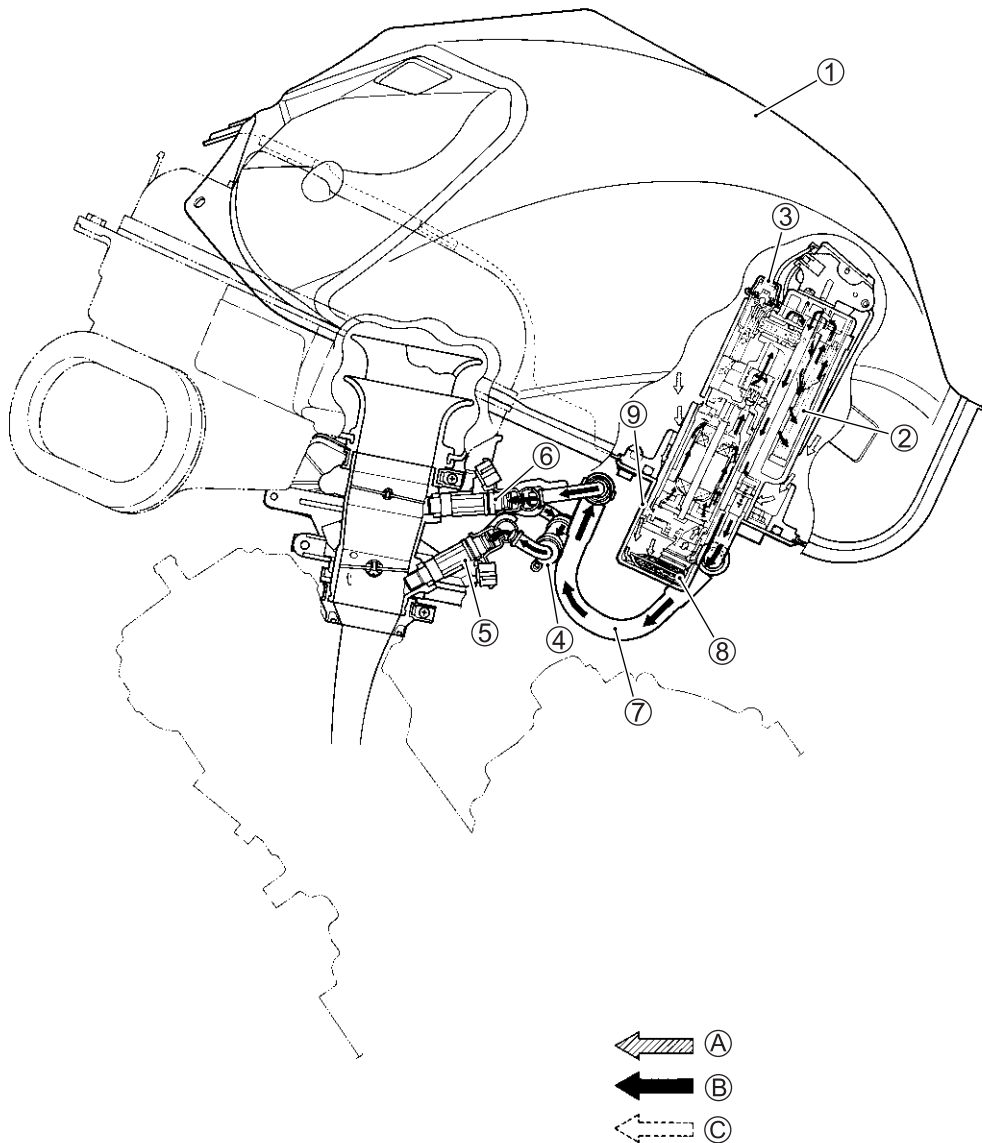
## CONTENTS

<b>EMISSION CONTROL SYSTEMS.....</b>	<b>11- 2</b>
<b>FUEL INJECTION SYSTEM.....</b>	<b>11- 2</b>
<b>CRANKCASE EMISSION CONTROL SYSTEM.....</b>	<b>11- 3</b>
<b>EXHAUST EMISSION CONTROL SYSTEM (PAIR SYSTEM).....</b>	<b>11- 4</b>
<b>NOISE EMISSION CONTROL SYSTEM.....</b>	<b>11- 5</b>
<b>PAIR (AIR SUPPLY) SYSTEM AND</b>	
<b>EMISSION CONTROL SYSTEM INSPECTION .....</b>	<b>11- 6</b>
<b>PAIR HOSES.....</b>	<b>11- 6</b>
<b>PAIR REED VALVE .....</b>	<b>11- 6</b>
<b>PCV HOSE .....</b>	<b>11- 6</b>
<b>PAIR CONTROL SOLENOID VALVE.....</b>	<b>11- 7</b>
<b>PAIR (AIR SUPPLY) SYSTEM HOSE ROUTING .....</b>	<b>11- 8</b>
<b>HO2 SENSOR INSPECTION (For E-02, 19).....</b>	<b>11- 9</b>

## EMISSION CONTROL SYSTEMS

### FUEL INJECTION SYSTEM

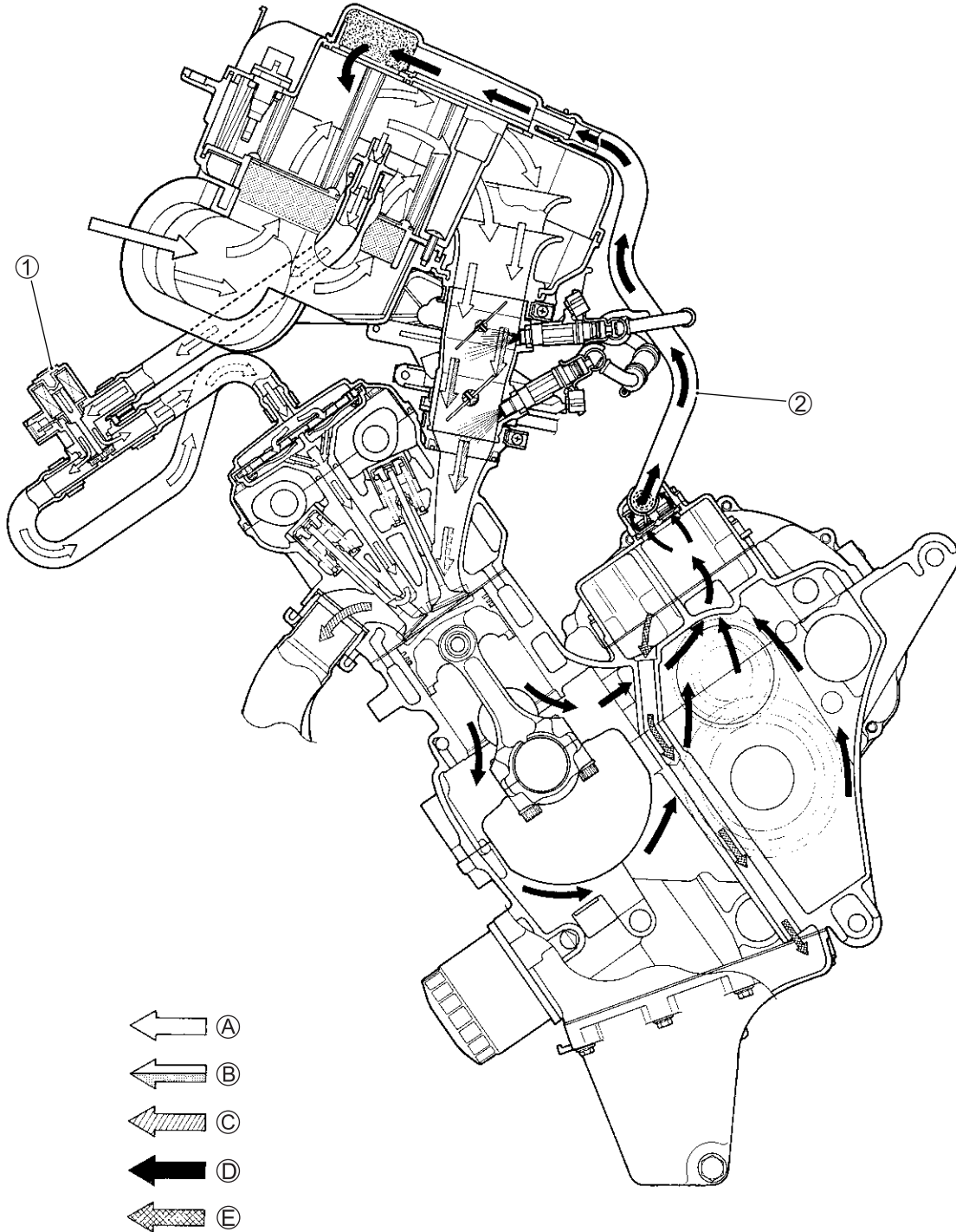
GSX-R600 motorcycles are equipped with a fuel injection system for emission level control. This fuel injection system is precision designed, manufactured and adjusted to comply with the applicable emission limits. With a view to reducing CO, NOX and HC, all of the fuel injection volumes are stringently controlled with the programmed injection maps in the ECM by varying engine conditions. Adjusting, interfering with, improper replacement, or resetting of any of the fuel injection components may adversely affect injection performance and cause the motorcycle to exceed the exhaust emission level limits. If unable to effect repairs, contact the distributor's representative for further technical information and assistance.



① Fuel tank	⑦ Fuel feed hose
② Fuel filter (For high pressure)	⑧ Fuel mesh filter (For low pressure)
③ Fuel pressure regulator	⑨ Fuel pump
④ Fuel delivery pipe	(A) Before-pressurized fuel
⑤ Primary fuel injector	(B) Pressurized fuel
⑥ Secondary fuel injector	(C) Relieved fuel

## CRANKCASE EMISSION CONTROL SYSTEM

The engine is equipped with a PCV system to prevent discharging crankcase emissions into the atmosphere. Blow-by gas in the engine is constantly drawn into the crankcase, which is returned to the combustion chamber through the PCV (breather) hose, air cleaner and throttle body.

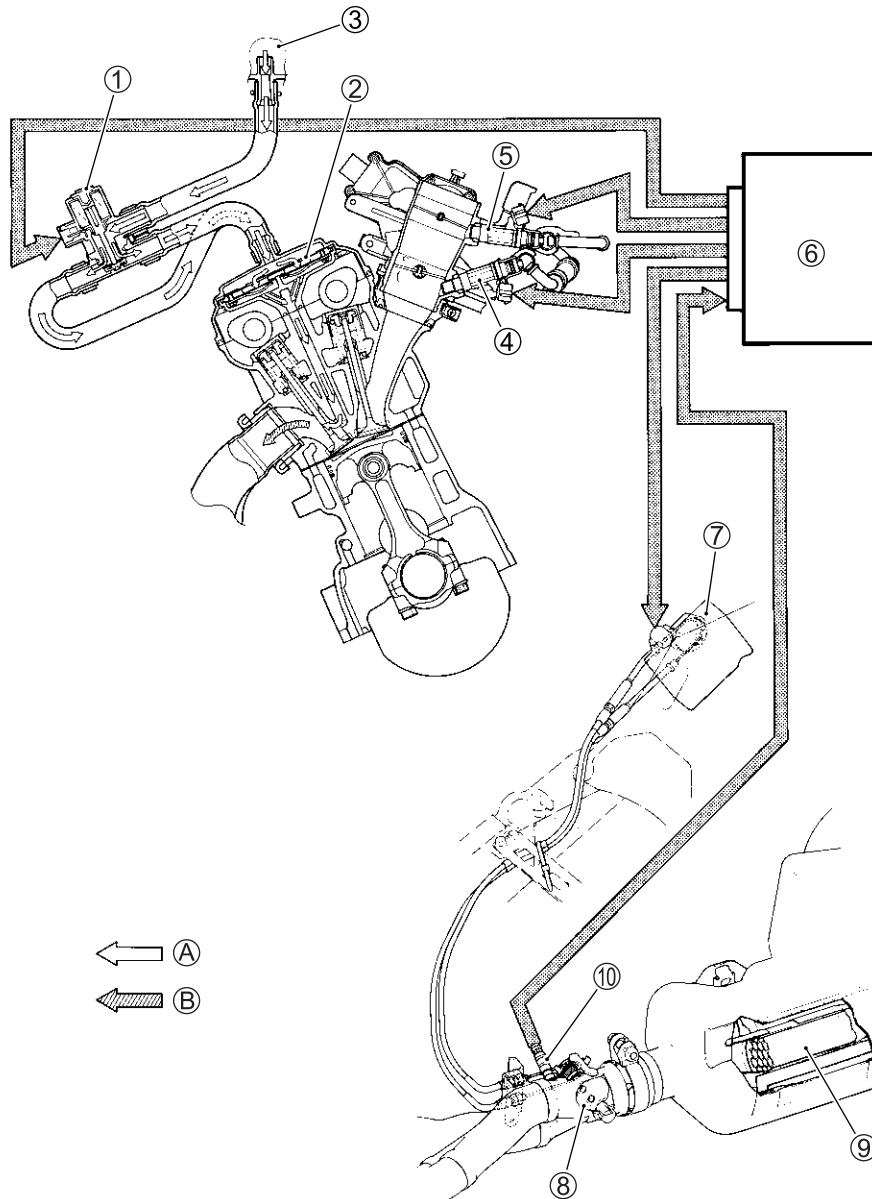


① PAIR control solenoid valve	④ EXHAUSTGAS
② PCV hose	⑤ BLOW-BY GAS
③ FRESH AIR	⑥ RETURN OIL
④ FUEL/AIR MIXTURE	



## EXHAUST EMISSION CONTROL SYSTEM (PAIR SYSTEM)

The exhaust emission control system is composed of the PAIR system, exhaust control system and three-way catalyst system. The fresh air is drawn into the exhaust port through the PAIR control solenoid valve and PAIR reed valve. The PAIR control solenoid valve is operated by the ECM, and the fresh air flow is controlled according to the TPS, ECTS, IATS, IAPS and CKPS. The exhaust gas flow is performed by the exhaust control valve actuator which is controlled by the ECM by changing the exhaust control valve angle.



①	PAIR control solenoid valve	⑦	Exhaust control valve actuator
②	PAIR reed valve	⑧	Exhaust control valve
③	Air cleaner box	⑨	Three-way catalyst
④	Primary fuel injector	⑩	HO2 sensor (For E-02, 19)
⑤	Secondary fuel injector	Ⓐ	FRESH AIR
⑥	ECM	Ⓑ	EXHAUST GAS

## **NOISE EMISSION CONTROL SYSTEM**

TAMPERING WITH THE NOISE CONTROL SYSTEM PROHIBITED: Local law or federal law prohibits the following acts or the causing thereof:

1. The removal or rendering inoperative by any person, other than for purposes of maintenance, repair or replacement, of any device or element of design incorporated into any new vehicle for the purpose of noise control prior to its sale or delivery to the ultimate purchaser or while it is in use, or
2. The use of the vehicle after such device or element of design has been removed or rendered inoperative by any person.

### **AMONG THOSE ACTS PRESUMED TO CONSTITUTE TAMPERING ARE THE ACTS LISTED BELOW:**

- Removing or puncturing the muffler, baffles, header pipes, screen type spark arrester (if equipped) or any other component which conducts exhaust gases.
- Removing or puncturing the air cleaner case, air cleaner cover, baffles or any other component which conducts intake air.
- Replacing the exhaust system or muffler with a system or muffler not marked with the same model specific code as the code listed on the Motorcycle Noise Emission Control Information label.

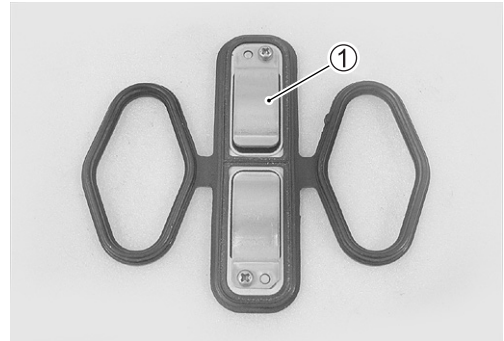
## PAIR (AIR SUPPLY) SYSTEM AND EMISSION CONTROL SYSTEM INSPECTION

### PAIR HOSES

- Inspect the PAIR hoses for wear or damage.
- Inspect the PAIR hoses is securely connected.

### PAIR REED VALVE

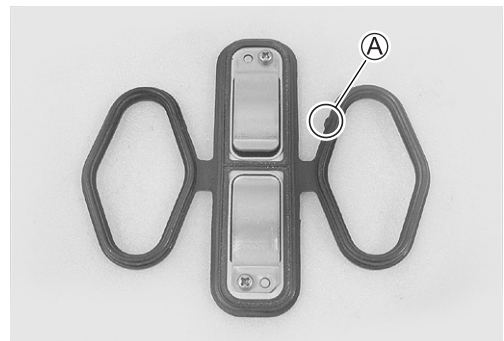
- Remove the cylinder head cover. (☞ 3-14)
- Remove the PAIR reed valve ① with the gasket.



- Inspect the reed valve for the carbon deposit.
- If the carbon deposit is found in the reed valve, replace the PAIR reed valve with a new one.



- Set new gasket to the PAIR reed valve.
- Install the PAIR reed valve assembly on the cam shaft journal holder with facing the projection (A) exhaust side.
- Install the cylinder head cover. (☞ 3-97)



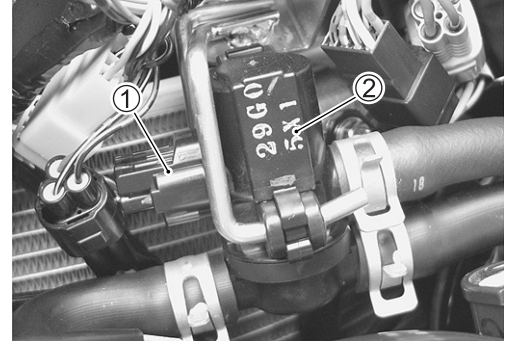
### PCV HOSE

- Remove the PCV hose between air cleaner box and crank-case breather cover.
- Inspect the PCV hose for wear or damage.
- If it is worn or damaged, replace the PCV hose with a new one.



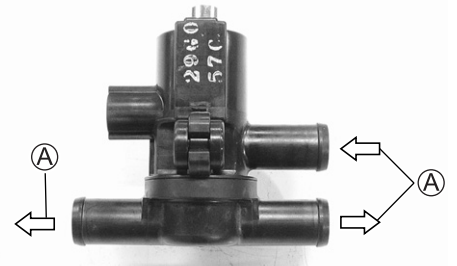
## PAIR CONTROL SOLENOID VALVE

- Remove the air cleaner box. (☞ 5-14)
- Disconnect the PAIR control solenoid valve lead wire coupler ① and PAIR hoses.
- Remove the PAIR control solenoid valve ②.

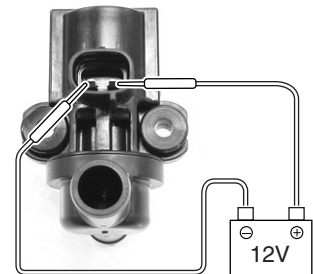


- Check that air flows through the air inlet port to the air outlet port.
- If air does not flow out, replace the PAIR control solenoid valve with a new one.

Ⓐ Air flow



- Connect the 12 V battery to the PAIR control solenoid valve terminals and check the air flow.
- If air does not flow out, the solenoid valve is in normal condition.

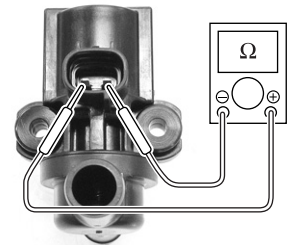


- Check the resistance between the terminals of the PAIR control solenoid valve.

**DATA** Resistance: 18 – 22  $\Omega$  (at 20 °C/68 °F – 30 °C/86 °F)

**TOOL** 09900-25008: Multi-circuit tester set

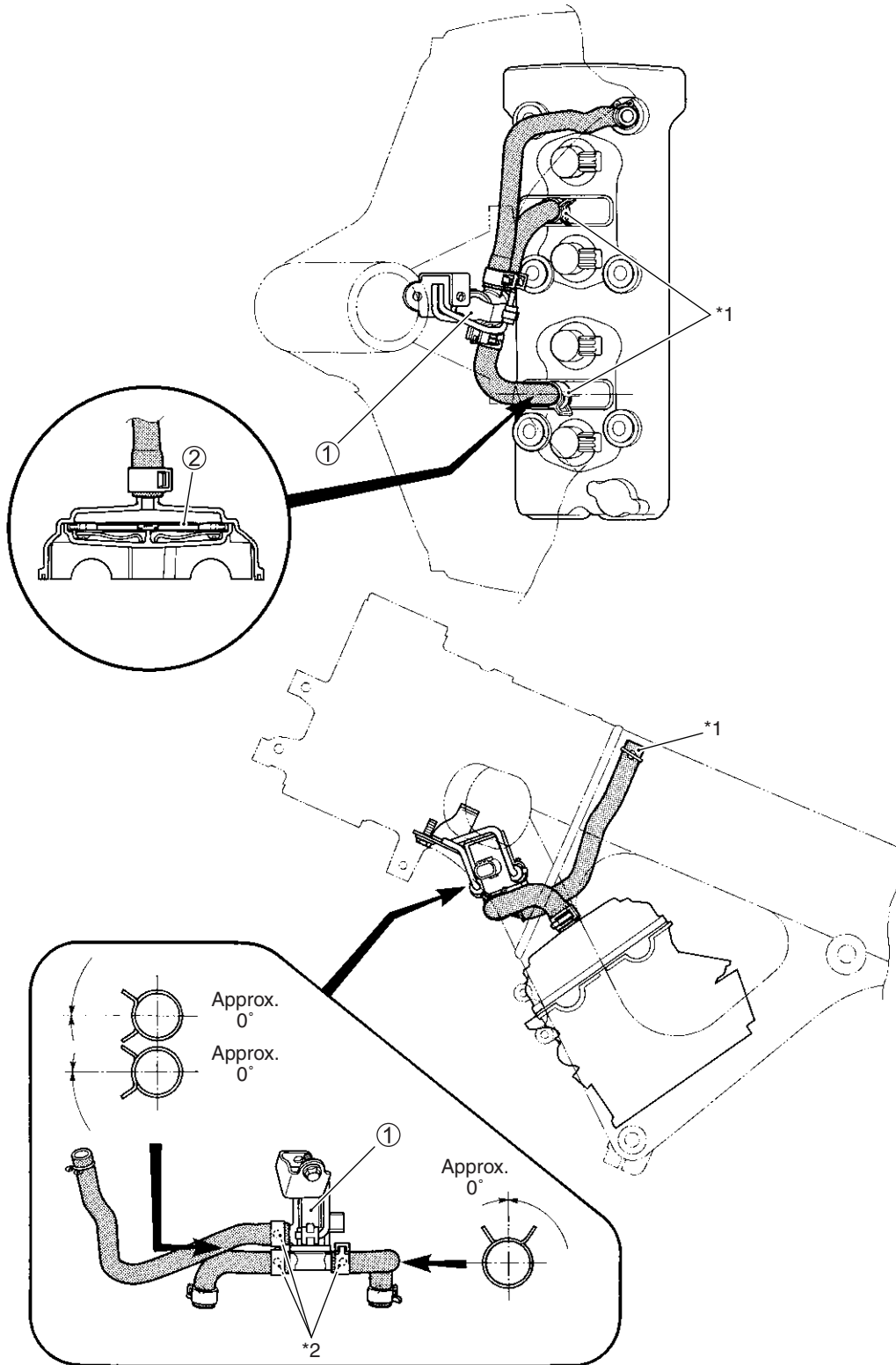
**Tester knob indication: Resistance ( $\Omega$ )**



If the resistance is not within the standard range, replace the PAIR control solenoid valve with a new one.  
Installation is in the reverse order of removal.

- Connect the PAIR control solenoid valve lead wire coupler and PAIR hoses securely.

## PAIR (AIR SUPPLY) SYSTEM HOSE ROUTING



①	PAIR control solenoid valve	*1	White marking
②	PAIR reed valve	*2	Yellow marking (Opposite side)

## HO2 SENSOR INSPECTION (For E-02, 19)

The HO2 sensor coupler ① is located under the fuel tank.

- Inspect the HO2 sensor and its circuit referring to flow table of the malfunction code C44 (P0130/P0135).



- Check the resistance between the terminals of the HO2 sensor.

**DATA** Resistance: 4.0 – 5.0  $\Omega$  at 23 °C/73 °F (W – W)

**TOOL** 09900-25008: Multi-circuit tester set

**Tester knob indication: Resistance ( $\Omega$ )**

If the resistance is not within the standard range, replace the HO2 sensor with a new one.

### NOTE:

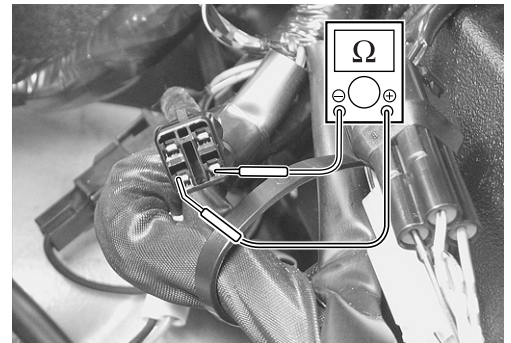
- \* Temperature of the sensor affects resistance value largely.
- \* Make sure that the sensor heater is at correct temperature.

### **WARNING**

Do not remove the HO2 sensor while it is hot.

### **CAUTION**

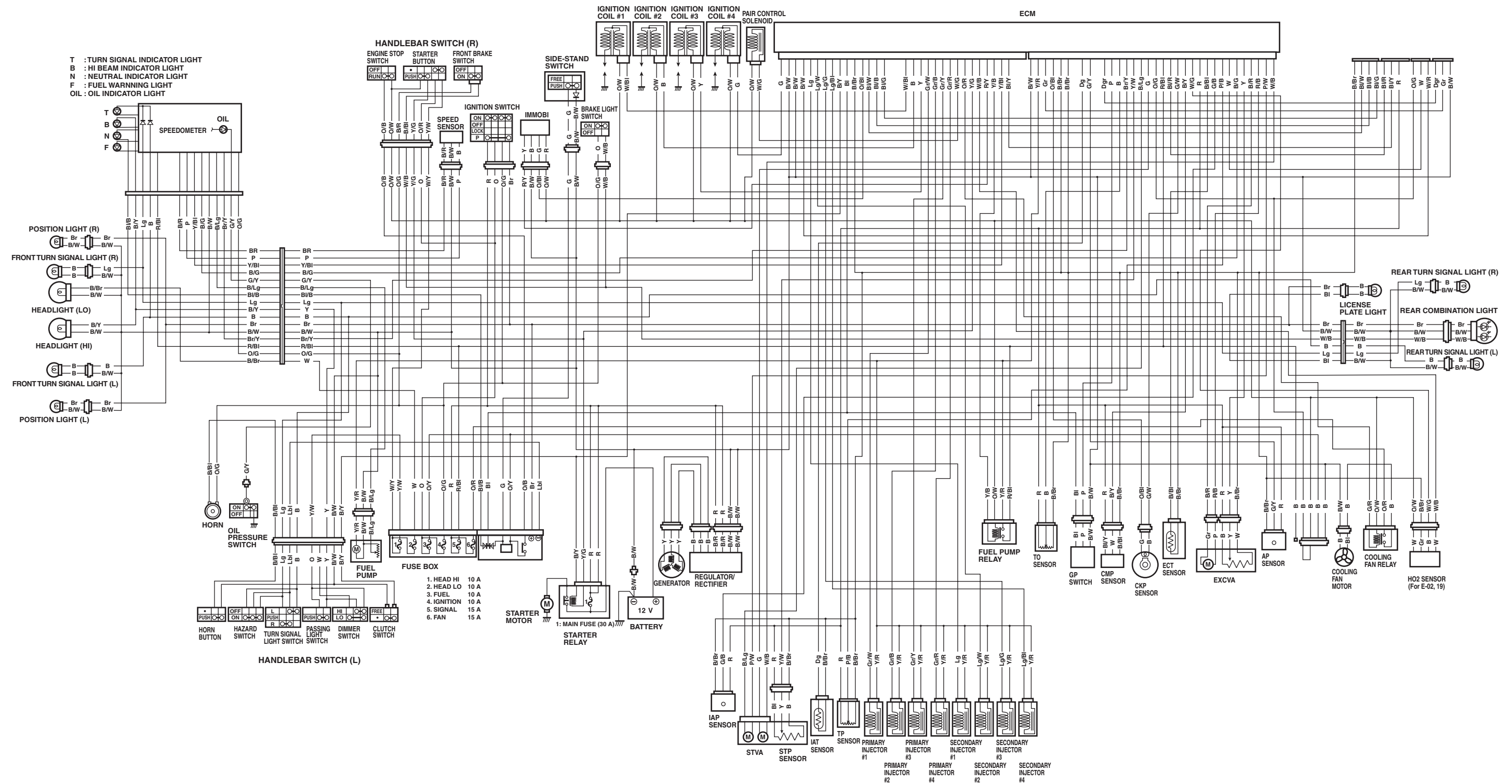
Be careful not to expose it to excessive shock.  
Do not use an impact wrench while removing or installing the HO2 sensor unit.  
Be careful not to twist or damage the sensor lead wire.



# WIRING DIAGRAM

## E-02, 19, 24

Wiring diagrams wire color, refer to section "WIRE COLOR".







Prepared by

**SUZUKI MOTOR CORPORATION**

December, 2005

Part No. 99500-35100-01E

Printed in Japan

**SUZUKI MOTOR CORPORATION**